



SINAMICS

SINAMICS DCM DC Converter

Operating Instructions

Information	1
Type spectrum, ordering information	2
Description	3
Technical data	4
Transportation, unpacking, installation	5
Connecting	6
Additional system components	7
Commissioning	8
Operation	9
Descriptions of functions	10
Maintenance	11
Applications	12
Appendix A	A
Appendix B	B

Software version 1.4.1

Legal information

Warning notice system

This manual contains notices you have to observe in order to ensure your personal safety, as well as to prevent damage to property. The notices referring to your personal safety are highlighted in the manual by a safety alert symbol, notices referring only to property damage have no safety alert symbol. These notices shown below are graded according to the degree of danger.

⚠ DANGER
indicates that death or severe personal injury will result if proper precautions are not taken.
⚠ WARNING
indicates that death or severe personal injury may result if proper precautions are not taken.
⚠ CAUTION
indicates that minor personal injury can result if proper precautions are not taken.
NOTICE
indicates that property damage can result if proper precautions are not taken.

If more than one degree of danger is present, the warning notice representing the highest degree of danger will be used. A notice warning of injury to persons with a safety alert symbol may also include a warning relating to property damage.

Qualified Personnel

The product/system described in this documentation may be operated only by **personnel qualified** for the specific task in accordance with the relevant documentation, in particular its warning notices and safety instructions. Qualified personnel are those who, based on their training and experience, are capable of identifying risks and avoiding potential hazards when working with these products/systems.

Proper use of Siemens products

Note the following:

⚠ WARNING
Siemens products may only be used for the applications described in the catalog and in the relevant technical documentation. If products and components from other manufacturers are used, these must be recommended or approved by Siemens. Proper transport, storage, installation, assembly, commissioning, operation and maintenance are required to ensure that the products operate safely and without any problems. The permissible ambient conditions must be complied with. The information in the relevant documentation must be observed.

Trademarks

All names identified by ® are registered trademarks of Siemens AG. The remaining trademarks in this publication may be trademarks whose use by third parties for their own purposes could violate the rights of the owner.

Disclaimer of Liability

We have reviewed the contents of this publication to ensure consistency with the hardware and software described. Since variance cannot be precluded entirely, we cannot guarantee full consistency. However, the information in this publication is reviewed regularly and any necessary corrections are included in subsequent editions.

Preface

Note

Information on connecting the device

The inside front cover of the SINAMICS DC MASTER Operating Instructions contains a summary of the key information required for connecting the device.

Product name

The SINAMICS DCM documentation uses the following product names:

- SINAMICS DCM
- SINAMICS DC MASTER

Device software version

When these operating instructions went to print, SINAMICS DCM devices were being supplied from the factory with the software release specified on Page 3.

However, these Operating Instructions can, in principle, also apply to other software versions.

- **Older software versions:**
It is possible that not all of the functions described here may be available.
- **Newer software versions:**
It is possible that the SINAMICS DCM may feature additional functions that are not described in these Operating Instructions. Do not change any parameters that you cannot find in the List Manual from their factory setting, and do not give parameters any values that are not specified in the List Manual.

The software release is displayed using r50060[6].

Example:

01010203 displayed on the BOP20 means 01.01.02.03 → Version 1.1, Service Pack 2, Hotfix 3

When required, you can obtain the current software from your local Siemens sales office.

Download of the current software version for registered users
(<https://support.industry.siemens.com/cs/ww/en/view/44029688>)

Note

Hardware/software compatibility

The hardware version of the Control Unit (CUD) must be taken into account when updating the device software. See the table below.

The hardware version can be read from the label on the right-hand side of the CUD.

CUD (print on label)	Executable software versions
C98043-A7100-L1-... C98043-A7100-L2-... C98043-A7100-L100-... C98043-A7100-L200-...	1.1, 1.2, 1.3
C98043-A7100-L3-... C98043-A7100-L4-... C98043-A7100-L103-... C98043-A7100-L204-...	All versions
A5E...	All versions

SINAMICS DCM documentation available

SINAMICS DCM DC Converters Operating Instructions

contains all information on ordering, installation, connecting, commissioning, maintaining, description of functions, and service

SINAMICS DCM Control Modules Operating Instructions

contains all information on ordering, installation, connecting, commissioning, maintaining, description of functions, and service

SINAMICS DCM List Manual (for DC converters and control modules)

Contains parameter list, function diagrams, list of faults and alarms

SINAMICS free function blocks, function description

Includes a general description, list of parameters, the function block diagrams as well as the list of faults and alarms.

SINAMICS DCM DVD documentation

Includes
 All the manuals listed above, in all of the available languages
 Function diagrams in VISIO® format
 Application notes
 Spare parts list

Manuals and application notes on the Internet

The manuals and application documents are also available in the Internet:

Manuals (<https://support.industry.siemens.com/cs/ww/en/ps/13298/man>)

The list of general conditions available there include current supplements to the manuals. The notes included in the general condition lists have a higher priority than the statements made in the manuals.

FAQ in the Internet

FAQ (<http://support.automation.siemens.com/WW/view/en/38157755/133000>)

Service

You can find information on our services and regional contact persons in the Internet - (<https://support.industry.siemens.com/sc/ww/en/sc>)

Technical Support

Our technical support can provide you with technical assistance for products, systems, and solutions:

Service (<https://support.industry.siemens.com/sc/ww/en/sc>)

Central hotlines for SINAMICS DCM technical support

European and African time zone	Service Request (https://support.industry.siemens.com/My/ww/en/requests#createRequest)	
America time zone	24-hour hotline: +1 800 333 7421	
	Phone: +1 423 262 2960 Fax: +1 423 262 2200 email (mailto:support.america.automation@siemens.com)	8:00 to 17:00 Eastern Standard Time
Asia/Australia time zone	Phone: +86 1064 757575 Fax: +86 1064 747474 email (mailto:support.asia.automation@siemens.com)	7:30 to 17:30 Beijing local time

Spare parts

You can find information on spare parts

- In catalog D23.1
- On the SINAMICS DCM documentation DVD
(to reorder please quote article number 6RX1800-0AD64)
- Via the electronic spare parts catalog Spares On Web, after entering the serial number and article number of your SINAMICS DCM in the Internet (registration required).

Spares on Web (<http://www.siemens.com/sow>)

Remark for users of Internet Explorer 10:

This website may only be correctly displayed when the browser is switched to compatibility mode (activate the appropriate button in the input line or use the menu Options → Settings of the compatibility view).

Availability of spare parts (<http://www.siemens.com/sos>)

Further Internet links

Generic station description file (GSD) for

PROFIBUS (<https://support.industry.siemens.com/cs/ww/en/view/98206128>)

PROFINET (<https://support.industry.siemens.com/cs/ww/en/view/98206128>)

Table of contents

	Preface	5
1	Information	19
1.1	Warning information	19
1.2	ESD-sensitive components	22
2	Type spectrum, ordering information	23
2.1	Device article numbers	24
2.2	Key for the device article numbers	26
2.3	Rating plates, packaging label	28
2.4	Ordering information for options and accessories	30
2.5	Accessories	35
2.5.1	SIMOREG DC-MASTER Converter Commutation Protector (CCP)	35
2.5.2	Mounting kit to increase the degree of protection to IP20	36
3	Description	37
4	Technical data	41
4.1	Load types	42
4.2	Environmental requirements	47
4.3	Unit data	49
4.4	Derating	74
5	Transportation, unpacking, installation	77
5.1	Transportation, unpacking	77
5.2	Installation	78
5.2.1	Dimension drawings	81
5.2.2	Installing options and accessories	90
5.2.2.1	AOP30 operator panel	90
5.2.2.2	Installing a second CUD	90
6	Connecting	93
6.1	Instructions for EMC-compliant drive installation	95
6.1.1	Basic information about EMC	95
6.1.2	EMC-compliant drive installation (installation instructions)	98
6.1.3	Arranging components for converter units	105
6.1.4	RFI suppression filter	106
6.1.5	Information on line-side harmonics produced by converter units in a fully-controlled two-pulse bridge circuit configuration (B6C and (B6)A(B6)C)	107
6.1.6	Data on the line-side harmonics from converter units in a fully-controlled AC bridge circuit B2C	109
6.2	Cable routing into the unit	110

6.3	Block diagram with connection suggestion	114
6.4	Power connections	122
6.5	Field supply	143
6.6	Line reactors	146
6.7	Fuses	150
6.7.1	Fuses for the exciter circuit	150
6.7.2	Fuses for the armature circuit	150
6.7.3	Fuses in the Power Interface	156
6.8	Arrangement of terminals and connectors	157
6.9	Assignment of terminals and connectors	168
6.9.1	Power unit	169
6.9.2	Exciter circuit	171
6.9.3	Electronics power supply	172
6.9.4	Fan	173
6.9.5	Open-loop and closed-loop control section	174
6.9.6	Assignment of the RS485 cable to the AOP30	182
6.10	Installation notes for installation according to UL 508C	187
7	Additional system components	189
7.1	Option Board: Communication Board Ethernet CBE20	190
7.1.1	Description	190
7.1.2	Safety instructions	190
7.1.3	Interface description	191
7.1.3.1	Overview	191
7.1.3.2	X1400 Ethernet interface	191
7.1.4	Meaning of the LEDs	192
7.1.5	Installation	194
7.1.6	Technical data	194
7.2	Sensor Module Cabinet-Mounted SMC30	195
7.2.1	Description	195
7.2.2	Safety instructions	196
7.2.3	Interface description	199
7.2.3.1	Overview	199
7.2.3.2	X500 DRIVE-CLiQ interface	200
7.2.3.3	X520 encoder system interface	200
7.2.3.4	X521/X531 alternative encoder system interface	201
7.2.3.5	X524 electronic power supply	203
7.2.4	Connection examples	203
7.2.5	Meaning of the LEDs	206
7.2.6	Dimension drawing	207
7.2.7	Installation	208
7.2.8	Protective conductor connection and shield support	209
7.2.9	Technical data	210
7.3	Terminal Module TM15	214
7.3.1	Description	214
7.3.2	Safety instructions	214
7.3.3	Interface description	215
7.3.3.1	Overview	215

7.3.3.2	X500 and X501 DRIVE-CLiQ interface.....	216
7.3.3.3	X524 electronic power supply.....	217
7.3.3.4	X520 digital inputs/outputs.....	217
7.3.3.5	X521 digital inputs/outputs.....	218
7.3.3.6	X522 digital inputs/outputs.....	218
7.3.4	Connection example.....	219
7.3.5	Meaning of the LEDs on the Terminal Module TM15.....	220
7.3.6	Dimension drawing.....	221
7.3.7	Installation.....	222
7.3.8	Protective conductor connection and shield support.....	223
7.3.9	Connector coding.....	224
7.3.10	Technical data.....	225
7.4	Terminal Module TM31.....	227
7.4.1	Description.....	227
7.4.2	Safety instructions.....	227
7.4.3	Interface description.....	229
7.4.3.1	Overview.....	229
7.4.3.2	X500/X501 DRIVE-CLiQ interfaces.....	230
7.4.3.3	X520, X530 digital inputs.....	231
7.4.3.4	X521 analog inputs.....	232
7.4.3.5	Analog inputs current/voltage switch.....	233
7.4.3.6	X522 analog outputs/temperature sensor.....	233
7.4.3.7	X524 electronic power supply.....	234
7.4.3.8	X540 auxiliary voltage for the digital inputs.....	234
7.4.3.9	X541 bidirectional digital inputs/outputs.....	235
7.4.3.10	X542 relay outputs.....	236
7.4.4	Connection example.....	237
7.4.5	Meanings of the LEDs on the Terminal Module TM31.....	238
7.4.6	Dimension drawing.....	239
7.4.7	Installation.....	240
7.4.8	Protective conductor connection and shield support.....	241
7.4.9	Connector coding.....	242
7.4.10	Technical data.....	243
7.5	Terminal Module TM150.....	244
7.5.1	Description.....	244
7.5.2	Safety instructions.....	244
7.5.3	Interface description.....	246
7.5.3.1	Overview.....	246
7.5.3.2	X500 and X501 DRIVE-CLiQ interfaces.....	247
7.5.3.3	X524 Electronics power supply.....	248
7.5.3.4	X531-X536 temperature sensor inputs.....	248
7.5.4	Connection examples.....	250
7.5.5	Meaning of the LEDs on the Terminal Module TM150.....	252
7.5.6	Dimension drawing.....	253
7.5.7	Installation.....	254
7.5.8	Protective conductor connection and shield support.....	255
7.5.9	Technical data.....	256
8	Commissioning.....	257
8.1	Switching on.....	259
8.2	Commissioning using the BOP20 operator panel.....	260

8.2.1	Preconditions	260
8.2.2	Commissioning steps	260
8.3	Commissioning using the AOP30 operator panel	267
8.3.1	First commissioning	267
8.3.1.1	First power-up	267
8.3.1.2	Full drive commissioning	268
8.3.2	Status after commissioning	272
8.3.3	Resetting parameters to factory settings	272
8.4	Commissioning with the STARTER commissioning tool	273
8.4.1	STARTER commissioning tool	273
8.4.1.1	Installing the STARTER commissioning tool	273
8.4.1.2	Layout of the STARTER user interface	274
8.4.2	Procedure for commissioning with STARTER	275
8.4.2.1	Creating the project	275
8.4.2.2	Configuring a drive unit	282
8.4.2.3	Starting the drive project	294
8.4.2.4	Connection through a serial interface	298
8.5	Activating function modules	301
8.5.1	Activating offline with STARTER	302
8.5.2	Activating online through parameters	303
8.6	Commissioning optional additional modules	305
8.6.1	Terminal Modules (TM31, TM15, TM150)	305
8.6.1.1	Commissioning with STARTER	305
8.6.1.2	Commissioning via parameter assignment	307
8.6.2	Encoder evaluation (SMC30)	308
8.6.2.1	Add/commissioning (with STARTER)	308
8.6.2.2	Remove (with STARTER)	311
8.6.3	PROFINET module (CBE20)	311
8.6.3.1	Adding online into the drive	311
8.6.3.2	Adding offline in STARTER	312
8.6.3.3	Deleting from the drive online	312
8.6.3.4	Deleting offline with STARTER	312
8.7	Drive optimization	313
8.8	Manual optimization	319
8.8.1	Optimization of closed-loop armature current control	320
8.8.2	Optimization of closed-loop field-current control	322
8.8.3	Optimizing the speed controller	323
9	Operation	325
9.1	Basic information	325
9.1.1	Parameter	325
9.1.2	Data sets	328
9.1.2.1	Function diagrams and parameters	331
9.1.2.2	Using data sets	331
9.1.3	Drive objects	332
9.1.4	Memory card functions	334
9.1.5	BICO technology: Interconnecting signals	339
9.1.5.1	Binectors, connectors	340
9.1.5.2	Interconnecting signals using BICO technology	340

9.1.5.3	Internal encoding of the binector/connector output parameters	342
9.1.5.4	Example: Interconnecting digital signals.....	342
9.1.5.5	Information on BICO technology.....	342
9.2	Parameterizing using the BOP20 (Basic Operator Panel 20).....	344
9.2.1	General information about the BOP20.....	344
9.2.2	Displays and using the BOP20	347
9.2.3	Displaying faults and alarms.....	352
9.2.4	Controlling the drive using the BOP20.....	353
9.3	Controlling via the AOP30 operator panel	354
9.3.1	Overview and menu structure	355
9.3.2	Menu: Operation screen	357
9.3.3	Parameterization menu.....	358
9.3.4	Menu: Fault/alarm memory.....	359
9.3.5	Menu: Commissioning/Service	360
9.3.5.1	Drive commissioning.....	360
9.3.5.2	Device commissioning	361
9.3.5.3	AOP settings	361
9.3.5.4	Lists of signals for the operation screen	362
9.3.5.5	AOP30 diagnostics	365
9.3.6	Sprachauswahl/Language selection.....	366
9.3.7	Operation via the operator panel (LOCAL mode).....	367
9.3.7.1	LOCAL/REMOTE key	367
9.3.7.2	ON key/OFF key	368
9.3.7.3	CCW/CW changeover.....	368
9.3.7.4	Jogging	368
9.3.7.5	Increase setpoint/Decrease setpoint	369
9.3.7.6	AOP setpoint.....	369
9.3.7.7	Inhibiting AOP LOCAL mode	370
9.3.7.8	Acknowledging errors via the AOP	370
9.3.7.9	Timeout monitoring	370
9.3.7.10	Operator inhibit lock/Parameters disable.....	371
9.3.8	Faults and alarms	372
9.3.9	Saving the parameters permanently.....	374
9.3.10	Parameterization errors	374
9.3.11	Assigning parameters to make AOP30 time-of-day master	375
10	Descriptions of functions	377
10.1	Inputs/Outputs.....	377
10.1.1	Overview of inputs/outputs	377
10.1.2	Digital inputs/outputs.....	377
10.1.3	Analog inputs	378
10.1.4	Analog outputs	379
10.2	Communication, IT security	380
10.3	Communication according to PROFIdrive	381
10.3.1	Application classes	383
10.3.2	Cyclic communication	385
10.3.2.1	Telegrams and process data	385
10.3.2.2	Description of control words and setpoints.....	388
10.3.2.3	Description of status words and actual values	393
10.3.2.4	Control and status words for encoders	399

10.3.2.5	Extended encoder evaluation	408
10.3.2.6	Central control and status words	408
10.3.2.7	Diagnostics channels for cyclic communication.....	411
10.3.3	Parallel operation of communication interfaces	412
10.3.4	Acyclic communication.....	415
10.3.4.1	General information about acyclic communication	415
10.3.4.2	Structure of orders and responses.....	417
10.3.4.3	Determining the drive object numbers	422
10.3.4.4	Example 1: read parameters.....	423
10.3.4.5	Example 2: write parameters (multi-parameter request)	425
10.4	Communication via PROFIBUS DP	429
10.4.1	PROFIBUS connection	429
10.4.2	General information about PROFIBUS.....	431
10.4.2.1	General information about PROFIBUS for SINAMICS	431
10.4.2.2	Example of a telegram structure for acyclic data acquisition.....	433
10.4.3	Commissioning PROFIBUS	435
10.4.3.1	Setting the PROFIBUS interface.....	435
10.4.3.2	PROFIBUS interface in operation	436
10.4.3.3	Commissioning PROFIBUS	437
10.4.3.4	Diagnostics options	438
10.4.3.5	SIMATIC HMI addressing	438
10.4.3.6	Monitoring, telegram failure	440
10.4.4	Direct data exchange	441
10.4.4.1	Setpoint assignment in the subscriber	443
10.4.4.2	Activating/parameterizing slave-to-slave communication	444
10.4.4.3	Commissioning of the PROFIBUS slave-to-slave communication	446
10.4.4.4	GSD during operation	456
10.4.4.5	Diagnostics of the PROFIBUS slave-to-slave communication in STARTER	458
10.4.5	Messages via diagnostics channels.....	458
10.5	Communication via PROFINET IO	461
10.5.1	Activating online mode: STARTER via PROFINET IO	461
10.5.2	General information about PROFINET IO	467
10.5.2.1	Real-time (RT) and isochronous real-time (IRT) communication	468
10.5.2.2	Addresses	469
10.5.2.3	Data transmission	471
10.5.2.4	Communication channels for PROFINET	472
10.5.3	Drive control with PROFINET	473
10.5.3.1	Media redundancy	475
10.5.4	RT classes for PROFINET IO	475
10.5.5	PROFINET GSDML	481
10.5.6	Communication with CBE20	482
10.5.6.1	EtherNet/IP.....	483
10.5.7	Messages via diagnostics channels.....	483
10.6	Communication via SINAMICS Link	487
10.6.1	Basic principles of SINAMICS Link	487
10.6.2	Topology	489
10.6.3	Configuring and commissioning.....	490
10.6.4	Example	493
10.6.5	Communication failure during power-up or in cyclic operation	495
10.6.6	Example: Transmission times for SINAMICS Link.....	495
10.6.7	Function diagrams and parameters	496

10.7	EtherNet/IP	497
10.7.1	Connection of SINAMICS DCM with EtherNet/IP to Ethernet networks.....	497
10.7.2	Configuration of SINAMICS DCM for EtherNet/IP	498
10.7.2.1	Setting the IP address and activating the EtherNet/IP protocol	498
10.7.2.2	Communication with the SINAMICS DCM.....	499
10.7.3	Examples of the use of a Rockwell PLC.....	505
10.7.3.1	Configuration of a Rockwell PLC for the communication with SINAMICS DCM	505
10.7.3.2	Writing and reading parameters with Class 4xx	508
10.8	Serial interface with USS protocol	510
10.9	Switch on, switch off, enable	512
10.9.1	Switch on/Switch off (ON/OFF1) - control word bit 0.....	512
10.9.2	OFF2 (disconnection) - control word bit 1.....	514
10.9.3	OFF3 (quick stop) - control word bit 2	514
10.9.4	Operation enable (enable) - control word bit 3	516
10.10	Safety shutdown (E-STOP)	517
10.11	Setpoint channel	518
10.11.1	Ramp-function generator	518
10.11.2	Jog	523
10.11.3	Creep	524
10.11.4	Fixed setpoint.....	525
10.12	Encoder evaluation	526
10.12.1	Actual speed values.....	527
10.12.2	Control and status words for encoders	528
10.13	Speed controller.....	529
10.14	Adaptation of the armature and field current controller	533
10.15	Technology controller.....	536
10.16	Switch-on command for holding or operational brake	539
10.17	Switching on auxiliary circuits	542
10.18	Operating hours counter, unit fan	543
10.19	Thermal overload protection for the DC motor (I2t monitoring of the motor).....	544
10.20	Measuring the motor temperature	547
10.21	Speed-dependent current limitation.....	549
10.22	Dynamic overload capability of the power unit	552
10.22.1	Overview of functions.....	552
10.22.2	Configuring for dynamic overload capability.....	553
10.23	Sensor for the ambient and/or air intake temperature	556
10.24	Calculating the thyristor blocking voltage	558
10.25	Automatic restart.....	560
10.26	Operation on a single-phase line supply.....	561
10.27	Connecting units in parallel and in series	563
10.27.1	6-pulse parallel connection	566
10.27.2	12-pulse parallel connection	572

10.27.3	6-pulse series connection	574
10.27.4	6-pulse series connection: controlled converter + uncontrolled converter	577
10.27.5	12-pulse series connection	579
10.27.6	12-pulse series connection: controlled converter + uncontrolled converter	582
10.27.7	Switchover of the power unit topology - option S50.....	583
10.28	Field reversal.....	584
10.28.1	Direction of rotation reversal using field reversal.....	584
10.28.2	Braking using field reversal.....	586
10.29	Serial interface with peer-to-peer protocol.....	589
10.29.1	Examples of peer-to-peer connections	591
10.30	Expanding the SINAMICS DCM to include a second CUD	594
10.31	Terminal Module Cabinet TMC (option G63).....	596
10.32	Runtime (operating hours counter)	597
10.33	Diagnostics.....	598
10.33.1	Diagnostic memory	598
10.33.2	Trend recorder function.....	598
10.33.3	Thyristor diagnostics	599
10.33.4	Description of the LEDs on the CUD	601
10.33.5	Diagnostics via STARTER	604
10.33.5.1	Function generator.....	604
10.33.5.2	Trace function	607
10.33.6	Faults and alarms.....	614
10.33.6.1	General information	614
10.33.6.2	Buffer for faults and alarms.....	616
10.33.6.3	Configuring messages	619
10.33.6.4	Parameters and function diagrams for faults and alarms	621
10.33.6.5	Forwarding faults and alarms.....	621
10.34	CPU time load with SINAMICS DCM.....	623
10.34.1	Maximum configuration.....	624
10.34.2	Computation examples	625
10.35	Free function blocks.....	626
10.36	Drive Control Chart (DCC)	628
10.36.1	Loading the DCC technology option into the drive unit memory	629
10.36.2	CPU time load through DCC.....	630
10.36.3	Memory load through DCC	632
10.36.4	Backing up the DCC diagrams.....	633
10.37	Write and know-how protection.....	635
10.37.1	Write protection	635
10.37.2	Know-how protection	637
10.37.2.1	Copy protection	640
10.37.2.2	Configuring know-how protection.....	640
10.37.2.3	Loading know-how protected data to the file system.....	644
10.37.3	Overview of important parameters.....	649
11	Maintenance.....	651
11.1	Upgrading software releases	652
11.1.1	Upgrading the unit software	653

11.1.2	Upgrading the DCC technology option	655
11.2	Replacing components	659
11.2.1	Replacing the fan	659
11.2.2	Replacing fuses	665
11.2.3	Replacing the CUD	667
11.2.4	Replacement of diodes and thyristor modules on devices up to 1200 A.....	670
11.3	Replacing the back-up battery in the AOP30 operator panel	671
12	Applications	673
12.1	Using SINAMICS DCM in shipbuilding	673
12.2	Connecting an incremental encoder	674
12.3	Use of the SINAMICS DCM in galvanizing and dip-painting plants	676
A	Appendix A	679
A.1	Certifications and standards	679
A.2	List of abbreviations	682
A.3	Environmental compatibility	690
A.4	Servicing	691
B	Appendix B	693
B.1	Runtimes of the DCC blocks for SINAMICS DCM.....	693
B.2	BOP20 status display during power-up	698
	Index.....	699

Information

1.1 Warning information

Note

In the interests of clarity, these Operating Instructions do not contain full details of all information for all product types and cannot take into account every possible aspect of installation, operation, or maintenance.

If you require further information, or particular problems arise which these Operating Instructions do not cover in enough detail, please contact your local Siemens office.

We also draw your attention to the fact that the contents of these Operating Instructions are not part of and do not modify any prior or existing agreement, commitment, or legal relationship. Any obligations on the part of Siemens arise from the respective contract of sale, which also contains the solely valid warranty conditions in full. Any statements contained in these Operating Instructions neither expand nor restrict the scope of these contractual warranty conditions.

WARNING

This unit is subject to hazardous voltage levels and contains dangerous rotating machine parts (fans). Failure to comply with these Operating Instructions can lead to death, serious physical injury, and material damage.

Even after all of the supply voltages have been switched-off, a hazardous voltage is available for 1 min.

Only qualified personnel who are familiar with all the safety instructions provided in these Operating Instructions, as well as the assembly, operating, and maintenance instructions, should carry out work on this unit.

WARNING

There is electrical separation according to the requirements for protection against electric shock according to EN61800-5-1 at all customer connections with input/output voltages in the range up to 60 V DC (DVC A).

This is the reason that only components whose inputs/output voltages lie in this range and which also have electrical separation can be connected at these connections.

 **DANGER**

When this unit is operated, it is inevitable that certain components will be subject to dangerous electrical voltage levels. Touching these components may lead to serious physical injury or even death. The following precautions should be taken in order to reduce the risk to life and limb:

1. Only qualified personnel who are familiar with this unit and the information supplied with it should be charged with work on the unit involving installation, operation, troubleshooting and fault correction, or repair.
2. The unit must be installed in accordance with safety regulations (e.g. EN, DIN, or VDE) as well as all other applicable national or local regulations. Grounding, conductor dimensioning, and the relevant short-circuit protection work must be carried out correctly in order to ensure operational safety.
3. The unit must be operated with all covers supplied.
The fixing screws for the front cover of the SINAMICS DCM must be tight.
When required, additional covers should be provided in the control cabinet.
4. Before carrying out visual inspections and maintenance work, ensure that the unit is disconnected from the supply voltage and disabled. Before they are shut down, both the converter unit and the motor are subject to dangerous voltage levels; these may be present even when the converter unit's line contactor is open.
5. If measurements need to be taken while the power supply is switched on, do not under any circumstances touch the electrical connection points. Remove all jewelry from wrists and fingers. Make sure that the measuring and test equipment is in good condition and is safe to operate.
6. When working on a unit that is switched on and on an insulated surface, make sure that no grounding has been put in place.
7. Follow these Operating Instructions faithfully and observe all information concerning hazards, warnings, or areas where caution is required.
8. This list is not exhaustive and as such cannot outline all the measures required in order to operate the unit safely. Should you require further information or encounter specific problems which have not been handled in enough detail for the purposes of the buyer, please contact your local Siemens office.

NOTICE

Operating the unit in the immediate vicinity (< 1.5 m) of mobile telephones with a transmitter power of > 1 W may lead to incorrect operation of the unit.

 WARNING**Hearing protection**

Note the regional regulations for the use of hearing protection.

In general, the use of hearing protection is required or recommended for a sound level of ≥ 80 dB(A).

The noise emission is specified in Chapter Unit data (Page 49) in the line, fan noise.

 WARNING

The OFF switch on the AOP30 operator panel does not have an EMERGENCY OFF function.

In order to avoid dangerous incorrect operator actions, the EMERGENCY OFF pushbutton must be installed in a plant or system at an adequate distance from the AOP30.

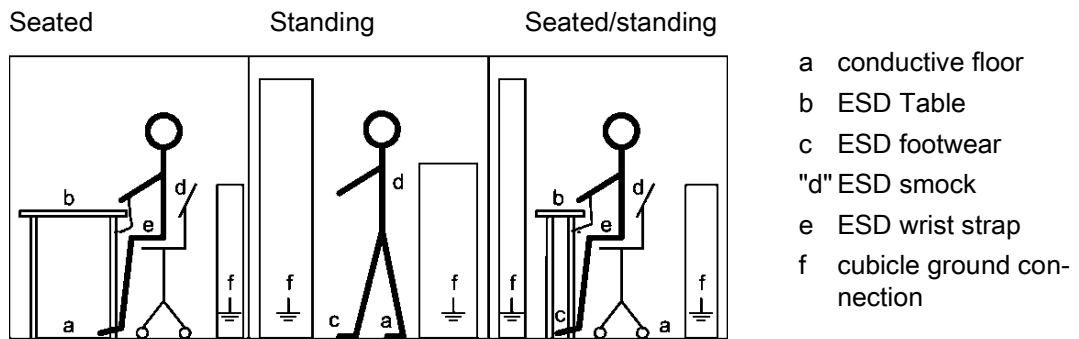
1.2 ESD-sensitive components

⚠ CAUTION

The electronic boards contain electrostatic sensitive devices. These can be easily destroyed if not handled properly. If you have to work with electronic modules, please note:

- You should only touch electronic modules if absolutely necessary.
- If you do have to touch modules, your body must be electrically discharged first.
- Boards must not come into contact with highly insulating materials (such as plastic parts, insulated desktops, articles of clothing manufactured from man-made fibers).
- Modules must only be set down on conductive surfaces.
- Boards and components should only be stored and transported in conductive packaging (such as metalized plastic boxes or metal containers).
- If the packaging material is not conductive, the modules must be wrapped with a conductive packaging material (such as conductive foam rubber or household aluminum foil).

The necessary ESD protection measures are elucidated once again in the following illustration:



Type spectrum, ordering information

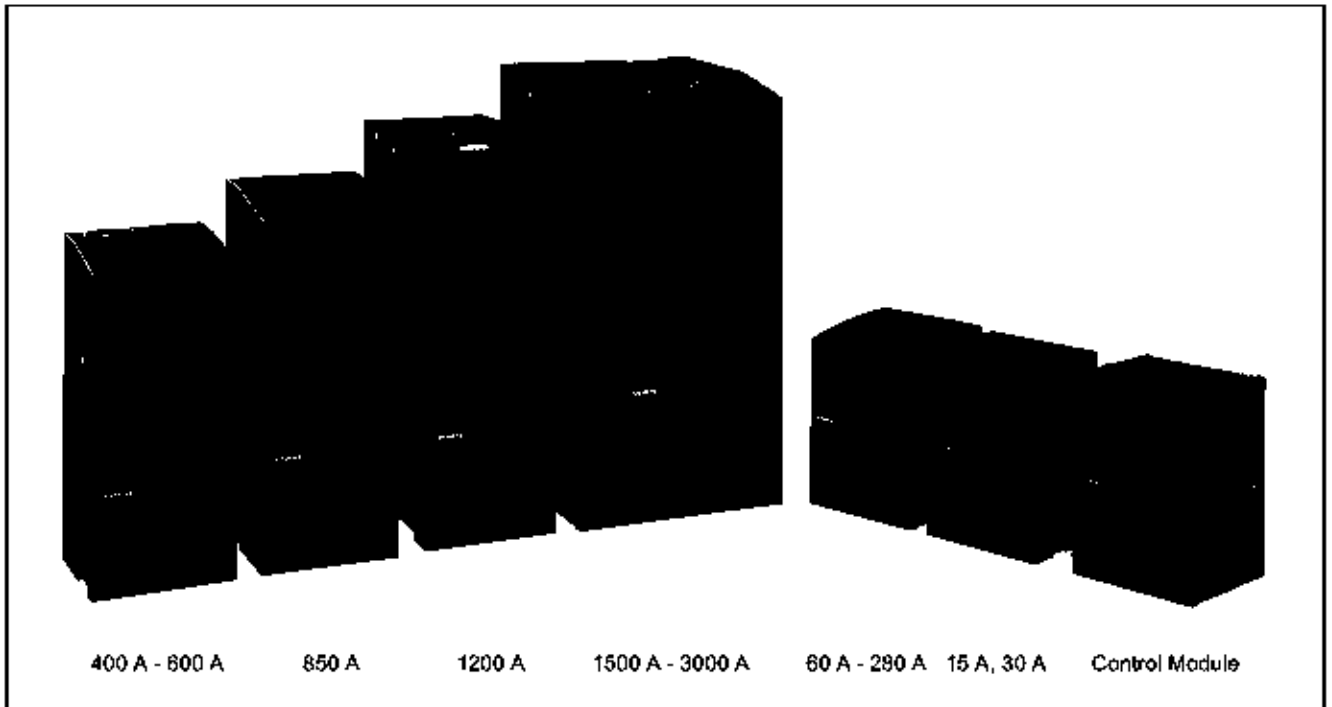


Figure 2-1 Type series

2.1 Device article numbers

Note

Devices with a rated input voltage above 400 VAC are also suitable for a supply voltage of 400 VAC.

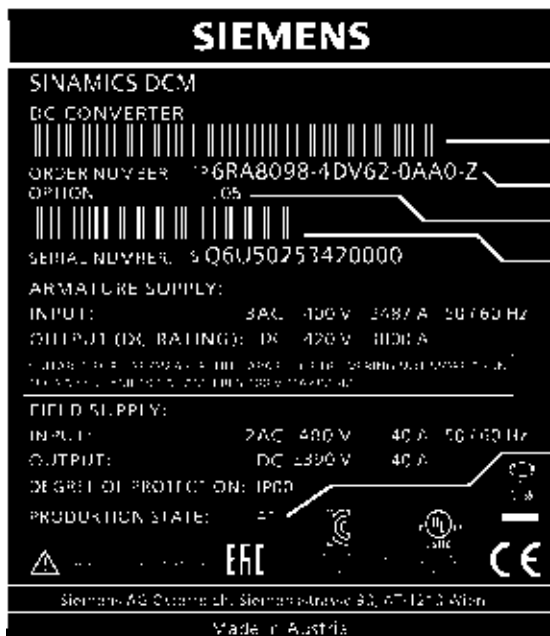
2Q devices				
Armature supply voltage	Rated DC current	Rated DC voltage	Type designation	Article number MLFB
3-ph. 400 VAC	60 A	485 V	D485/60 Mre-GeE6S22	6RA8025-6DS22-0AA0
	90 A	485 V	D485/90 Mre-GeE6S22	6RA8028-6DS22-0AA0
	125 A	485 V	D485/125 Mre-GeE6S22	6RA8031-6DS22-0AA0
	210 A	485 V	D485/210 Mre-GeEF6S22	6RA8075-6DS22-0AA0
	280 A	485 V	D485/280 Mre-GeEF6S22	6RA8078-6DS22-0AA0
	400 A	485 V	D485/400 Mre-GeEF6S22	6RA8081-6DS22-0AA0
	600 A	485 V	D485/600 Mre-GeEF6S22	6RA8085-6DS22-0AA0
	850 A	485 V	D485/850 Mre-GeEF6S22	6RA8087-6DS22-0AA0
	1200 A	485 V	D485/1200 Mre-GeEF6S22	6RA8091-6DS22-0AA0
	1600 A	485 V	D485/1600 Mre-GeEF4S22	6RA8093-4DS22-0AA0
	2000 A	485 V	D485/2000 Mre-GeEF4S22	6RA8095-4DS22-0AA0
	3000 A	485 V	D485/3000 Mre-GeEF4S22	6RA8098-4DS22-0AA0
	3-ph. 480 VAC	60 A	550 V	D575/60 Mre-GeE6S22
90 A		550 V	D575/90 Mre-GeE6S22	6RA8028-6FS22-0AA0
125 A		550 V	D575/125 Mre-GeE6S22	6RA8031-6FS22-0AA0
210 A		550 V	D575/210 Mre-GeEF6S22	6RA8075-6FS22-0AA0
280 A		550 V	D575/280 Mre-GeEF6S22	6RA8078-6FS22-0AA0
450 A		550 V	D575/450 Mre-GeEF6S22	6RA8082-6FS22-0AA0
600 A		550 V	D575/600 Mre-GeEF6S22	6RA8085-6FS22-0AA0
850 A		550 V	D575/850 Mre-GeEF6S22	6RA8087-6FS22-0AA0
1200 A		550 V	D575/1200 Mre-GeEF6S22	6RA8091-6FS22-0AA0
3-ph. 575 VAC		60 A	690 V	D690/60 Mre-GeE6S22
	125 A	690 V	D690/125 Mre-GeE6S22	6RA8031-6GS22-0AA0
	210 A	690 V	D690/210 Mre-GeEF6S22	6RA8075-6GS22-0AA0
	400 A	690 V	D690/400 Mre-GeEF6S22	6RA8081-6GS22-0AA0
	600 A	690 V	D690/600 Mre-GeEF6S22	6RA8085-6GS22-0AA0
	800 A	690 V	D690/800 Mre-GeEF6S22	6RA8087-6GS22-0AA0
	1100 A	690 V	D690/1100 Mre-GeEF6S22	6RA8090-6GS22-0AA0
	1600 A	690 V	D690/1600 Mre-GeEF4S22	6RA8093-4GS22-0AA0
	2000 A	690 V	D690/2000 Mre-GeEF4S22	6RA8095-4GS22-0AA0
	2200 A	690 V	D690/2200 Mre-GeEF4S22	6RA8096-4GS22-0AA0
	2800 A	690 V	D690/2800 Mre-GeEF4S22	6RA8097-4GS22-0AA0
3-ph. 690 VAC	720 A	830 V	D830/720 Mre-GeEF6S22	6RA8086-6KS22-0AA0
	1000 A	830 V	D830/1000 Mre-GeEF6S22	6RA8090-6KS22-0AA0
	1500 A	830 V	D830/1500 Mre-GeEF4S22	6RA8093-4KS22-0AA0
	2000 A	830 V	D830/2000 Mre-GeEF4S22	6RA8095-4KS22-0AA0
	2600 A	830 V	D830/2600 Mre-GeEF4S22	6RA8097-4KS22-0AA0
3-ph. 830 VAC	950 A	1000 V	D1000/950 Mre-GeEF6S22	6RA8088-6LS22-0AA0
	1500 A	1000 V	D1000/1500 Mre-GeEF4S22	6RA8093-4LS22-0AA0
	1900 A	1000 V	D1000/1900 Mre-GeEF4S22	6RA8095-4LS22-0AA0
3-ph. 950 VAC	2200 A	1140 V	D1140/2200 Mre-GeEF4S22	6RA8096-4MS22-0AA0

4Q devices				
Armature supply voltage	Rated DC current	Rated DC voltage	Type designation	Article number MLFB
3-ph. 400 VAC	15 A	420 V	D420/15 Mreq-GeG6V62	6RA8013-6DV62-0AA0
	30 A	420 V	D420/30 Mreq-GeG6V62	6RA8018-6DV62-0AA0
	60 A	420 V	D420/60 Mreq-GeG6V62	6RA8025-6DV62-0AA0
	90 A	420 V	D420/90 Mreq-GeG6V62	6RA8028-6DV62-0AA0
	125 A	420 V	D420/125 Mreq-GeG6V62	6RA8031-6DV62-0AA0
	210 A	420 V	D420/210 Mreq-GeGF6V62	6RA8075-6DV62-0AA0
	280 A	420 V	D420/280 Mreq-GeGF6V62	6RA8078-6DV62-0AA0
	400 A	420 V	D420/400 Mreq-GeGF6V62	6RA8081-6DV62-0AA0
	600 A	420 V	D420/600 Mreq-GeGF6V62	6RA8085-6DV62-0AA0
	850 A	420 V	D420/850 Mreq-GeGF6V62	6RA8087-6DV62-0AA0
	1200 A	420 V	D420/1200 Mreq-GeGF6V62	6RA8091-6DV62-0AA0
	1600 A	420 V	D420/1600 Mreq-GeGF4V62	6RA8093-4DV62-0AA0
	2000 A	420 V	D420/2000 Mreq-GeGF4V62	6RA8095-4DV62-0AA0
	3000 A	420 V	D420/3000 Mreq-GeGF4V62	6RA8098-4DV62-0AA0
3-ph. 480 VAC	15 A	500 V	D500/15 Mreq-GeG6V62	6RA8013-6FV62-0AA0
	30 A	500 V	D500/30 Mreq-GeG6V62	6RA8018-6FV62-0AA0
	60 A	500 V	D500/60 Mreq-GeG6V62	6RA8025-6FV62-0AA0
	90 A	500 V	D500/90 Mreq-GeG6V62	6RA8028-6FV62-0AA0
	125 A	500 V	D500/125 Mreq-GeG6V62	6RA8031-6FV62-0AA0
	210 A	500 V	D500/210 Mreq-GeGF6V62	6RA8075-6FV62-0AA0
	280 A	500 V	D500/280 Mreq-GeGF6V62	6RA8078-6FV62-0AA0
	450 A	500 V	D500/450 Mreq-GeGF6V62	6RA8082-6FV62-0AA0
	600 A	500 V	D500/600 Mreq-GeGF6V62	6RA8085-6FV62-0AA0
	850 A	500 V	D500/850 Mreq-GeGF6V6	6RA8087-6FV62-0AA0
	1200 A	500 V	D500/1200 Mreq-GeGF6V62	6RA8091-6FV62-0AA0
	3-ph. 575 VAC	60 A	600 V	D600/60 Mreq-GeG6V62
125 A		600 V	D600/125 Mreq-GeG6V62	6RA8031-6GV62-0AA0
210 A		600 V	D600/210 Mreq-GeGF6V62	6RA8075-6GV62-0AA0
400 A		600 V	D600/400 Mreq-GeGF6V62	6RA8081-6GV62-0AA0
600 A		600 V	D600/600 Mreq-GeGF6V62	6RA8085-6GV62-0AA0
850 A		600 V	D600/850 Mreq-GeGF6V62	6RA8087-6GV62-0AA0
1100 A		600 V	D600/1100 Mreq-GeGF6V62	6RA8090-6GV62-0AA0
1600 A		600 V	D600/1600 Mreq-GeGF4V62	6RA8093-4GV62-0AA0
2000 A		600 V	D600/2000 Mreq-GeGF4V62	6RA8095-4GV62-0AA0
2200 A		600 V	D600/2200 Mreq-GeGF4V62	6RA8096-4GV62-0AA0
3-ph. 690 VAC	760 A	725 V	D725/760 Mreq-GeGF6V62	6RA8086-6KV62-0AA0
	1000 A	725 V	D725/1000 Mreq-GeGF6V62	6RA8090-6KV62-0AA0
	1500 A	725 V	D725/1500 Mreq-GeGF4V62	6RA8093-4KV62-0AA0
	2000 A	725 V	D725/2000 Mreq-GeGF4V62	6RA8095-4KV62-0AA0
	2600 A	725 V	D725/2600 Mreq-GeGF4V62	6RA8097-4KV62-0AA0
3-ph. 830 VAC	950 A	875 V	D875/950 Mreq-GeGF6V62	6RA8088-6LV62-0AA0
	1500 A	875 V	D875/1500 Mreq-GeGF4V62	6RA8093-4LV62-0AA0
	1900 A	875 V	D875/1900 Mreq-GeGF4V62	6RA8095-4LV62-0AA0
3-ph. 950 VAC	2200 A	1000 V	D1000/2200 Mreq-GeGF4V62	6RA8096-4MV62-0AA0

2.2 Key for the device article numbers

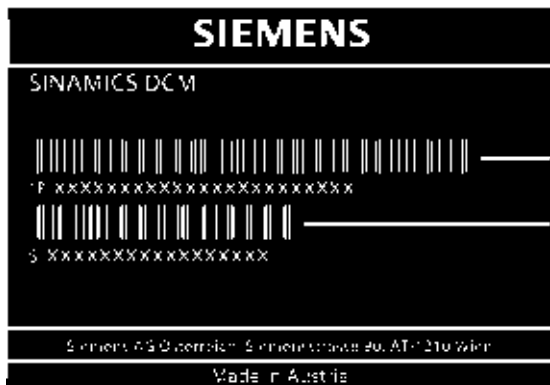
① 6RA definition in accordance with general MLFB guidelines				
② Unit version				
23: SIMOREG compact unit, 4th generation analog		70: SIMOREG DC MASTER		
24: SIMOREG compact unit, 4th generation digital		80: SINAMICS DCM		
③ Rated DC currents and cooling				
Natural air cooling, ambient temperature +45 °C				
00: -	10: ≥10.0...<11.5	20: ≥31.5...<36.0	30: ≥100...<115	40: -
01: ≥3.6...<4.1	11: ≥11.5...<13.0	21: ≥36.0...<41.0	31: ≥115...<130	41: -
02: ≥4.1...<4.85	12: ≥13.0...<14.5	22: ≥41.0...<46.5	32: ≥130...<145	42: -
03: ≥4.65...<5.25	13: ≥14.5...<16.5	23: ≥46.5...<52.5	33: ≥145...<165	43: -
04: ≥5.25...<6.0	14: ≥16.5...<19.0	24: ≥52.5...<60.0	34: ≥165...<190	44: -
05: ≥6.0...<6.8	15: ≥19.0...<21.5	25: ≥60.0...<68.0	35: ≥190...<215	45: -
06: ≥6.8...<7.75	16: ≥21.5...<24.5	26: ≥68.0...<77.5	36: ≥215...<245	46: -
07: ≥7.75...<8.8	17: ≥24.5...<28.0	27: ≥77.5...<88.0	37: ≥245...<280	47: -
08: ≥8.8...<10.0	18: ≥28.0...<31.5	28: ≥88.0...<100	38: ≥280...<315	48: -
09: -	19: -	29: -	39: -	49: -
Forced ventilation: Ambient air temperature: +35 °C. With 6RA70 and 6RA80 +40 °C.				
50: -	60: ≥31.5...<36.0	70: ≥100...<115	80: ≥315...<360	90: ≥1000...<1150
51: -	61: ≥36.0...<41.0	71: ≥115...<130	81: ≥360...<410	91: ≥1150...<1300
52: -	62: ≥41.0...<46.5	72: ≥130...<145	82: ≥410...<465	92: ≥1300...<1450
53: -	63: ≥46.5...<52.5	73: ≥145...<165	83: ≥465...<525	93: ≥1450...<1650
54: -	64: ≥52.5...<60.0	74: ≥165...<190	84: ≥525...<600	94: ≥1650...<1900
55: -	65: ≥60.0...<68.0	75: ≥190...<215	85: ≥600...<680	95: ≥1900...<2150
56: -	66: ≥68.0...<77.5	76: ≥215...<245	86: ≥680...<775	96: ≥2150...<2400
57: -	67: ≥77.5...<88.0	77: ≥245...<280	87: ≥775...<880	97: ≥2400...<2850
58: -	68: ≥88.0...<100	78: ≥280...<315	88: ≥880...<1000	98: ≥2850...<3250
59: -	69: -	79: -	89: -	99: -
④ Thyristor type of construction and fuse construction		⑤ Rated supply voltage		
0: Control Units without power unit		A: -		G: 500 V - 575 V
1: USA Power		B: 230 V		H: 660 V
2: USA Base		C: -		K: 690 V - 750 V
3: Disc-type thyristors, made in China		D: 400 V		L: 830 V
4: Disc-type thyristors with fuse construction		E: -		M: 950 V
5: Thyristor modules, made in China		F: 440 V - 480 V		
6: Thyristor modules				
7: Rated DC current in acc. with ③ × 100				
8: I IS				
⑥ Converter circuit		⑦ Closed-loop control		
A: -	S: B6C (2Q)	0: No closed-loop control	6: 4Q digital	
B: -	T: -	1: 2Q, analog	7: 4Q analog	
C: -	U: -	2: 2Q, digital		
D: B2HZ (1Q)	V: (B6) A (B6) C (4Q)	⑧ Field closed-loop control		
...		0: No field	2: Field with closed-loop control	
K: (B2) A (B2) C (4Q)		1: Field without closed-loop control		
...		⑨ Innovation		
		⑩ Z: With option		

2.3 Rating plates, packaging label

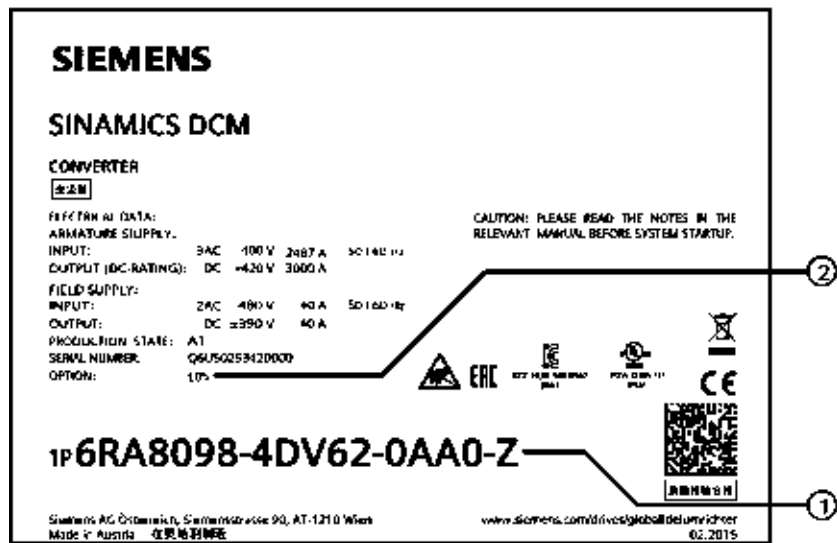


- ① Bar code for article number (MLFB)
- ② For options: "Z" after the article number
- ③ Order codes for options (according to ordering information for options) (order-specific)
- ④ Serial number bar code (order-specific)
- ⑤ Product version

Rating plate on front cover



Rating plate in device

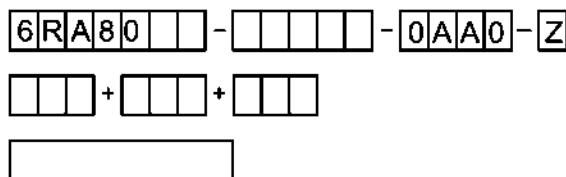


- ① For options: "Z" after the article number
- ② Order codes for options (according to ordering information for options)

Figure 2-2 Packaging label

2.4 Ordering information for options and accessories

Ordering information for options with order codes



Article number of SINAMICS DCM with Z designation and order codes (multiple order codes together) and/or plain text, if necessary

Table 2- 1 Control Unit CUD options

Option	Order codes
Advanced CUD in left slot	G00
Standard CUD in right slot (possible with option G00)	G10
Advanced CUD in right slot (possible with option G00)	G11
CBE20 PROFINET, left (possible with option G00)	G20
CBE20 PROFINET, right (possible with option G11)	G21
Memory card, left	S01
Memory card, right (possible with options G10 and G11)	S02
Note: Standard equipment = Standard CUD, left	

Table 2- 2 Options field

Option	Order codes
2Q field power unit (not possible for 15 A and 30 A devices)	L11
No field power unit (not possible for 15 A and 30 A devices)	L10
Field power unit with 85 A rated current (possible for devices with rated armature DC current ≥ 1500 A, in standard version and with option L11)	L85

Table 2- 3 Fan options

Option	Order codes
Device without fan (possible for devices with a rated armature DC current ≥ 1500 A) Note: The air flow specified in the technical data must be maintained (fan air flow in m ³ /h).	L20
Fan for 1-phase connection (possible for devices with rated armature DC current 400 A to 1200 A)	L21

Table 2- 4 Additional options

Option	Order codes
<p>Terminal Module Cabinet (TMC) Can be snapped onto a 35 mm mounting rail. Enables the simple connection of the CUD standard signals (X177) via spring-loaded terminals in an easily accessible area of the control cabinet. The CUD is equipped with an adapter board. Terminal Module Cabinet and connecting cable (3 m) are supplied separately. Notes:</p> <ul style="list-style-type: none"> In the device version with option G63, the X177 terminal connections are no longer available directly on the CUD. When ordering, please specify which CUD (in the left or right slot) is to be equipped with the option. If two CUDs are to be equipped with option G63, the option must be ordered for each CUD. 	G63
Armature infeed with extra-low voltage 10 V to 50 V (possible for devices with rated supply voltage ≤ 575 V)	L04
Electronic power supply for connection to 24 VDC	L05
Sensor for the air intake temperature Possible as of software release 1.3 HF1	L15
Coated modules Coated modules increase the degree of ruggedness with respect to climatic effects: Relative / absolute humidity 5% to 95% / 1 to 29 g/m ³ for ambient temperature or cooling medium temperature $\leq 30^{\circ}$ C $\leq 60\%$ with the occurrence of SO ₂ and H ₂ S and/or for ambient temperature or cooling medium temperature 30° C to 40° C Oil mist, salt mist, formation of ice, condensation, dropping, spray, splashing and jet-water not permissible.	M08
Nickel-plated copper bars (for devices with aluminum bars as standard, use of nickel-plated copper bars)	M10
Control for switching over the power unit topology for devices connected in parallel and series This option is described in the application document "12-pulse applications".	S50

Ordering information for accessories

Table 2- 5 Articles numbers for documentation

Article	Article number
Set of manuals, German	6RX1800-0GD00
SINAMICS DCM DC Converter Operating Instructions, German	6RX1800-0AD00
SINAMICS DCM List Manual, German	6RX1800-0ED00
Free Function Blocks Manual, German	6RX1800-0FD00
Set of manuals, English	6RX1800-0GD76
SINAMICS DCM DC Converter Operating Instructions, English	6RX1800-0AD76
SINAMICS DCM List Manual, English	6RX1800-0ED76
Free Function Blocks Manual, English	6RX1800-0FD76
Set of manuals, French (includes the Free Function Blocks Manual in English)	6RX1800-0GD77
SINAMICS DCM DC Converter Operating Instructions, French	6RX1800-0AD77
SINAMICS DCM List Manual, French	6RX1800-0ED77
Set of manuals, Italian (includes the Free Function Blocks Manual in English)	6RX1800-0GD72
SINAMICS DCM DC Converter Operating Instructions, Italian	6RX1800-0AD72
SINAMICS DCM List Manual, Italian	6RX1800-0ED72
Set of manuals, Russian (includes the Free Function Blocks Manual in English)	6RX1800-0GD56
SINAMICS DCM DC Converter Operating Instructions, Russian	6RX1800-0AD56
SINAMICS DCM List Manual, Russian	6RX1800-0ED56
Set of manuals, Spanish (includes the Free Function Blocks Manual in English)	6RX1800-0GD78
SINAMICS DCM DC Converter Operating Instructions, Spanish	6RX1800-0AD78
SINAMICS DCM List Manual, Spanish	6RX1800-0ED78
Set of manuals, Chinese (includes the Free Function Blocks Manual in English)	6RX1800-0GD27
SINAMICS DCM DC Converter Operating Instructions, Chinese	6RX1800-0AD27
SINAMICS DCM List Manual, Chinese	6RX1800-0ED27
All documentation in all of the above languages on DVD	6RX1800-0AD64

Table 2- 6 Articles numbers for accessories

Article	Article number
Standard CUD retrofit kit Combination of the spare parts, Standard CUD and connector board	6RY1803-0AA00-0AA1 + 6RY1803-0GA00
Standard CUD coated retrofit kit Combination of the spare parts, Standard CUD coated and connector board coated	6RY1803-0AA20-0AA1 + 6RY1803-0GA20
Advanced CUD retrofit kit Combination of the spare parts, Advanced CUD and connector board	6RY1803-0AA05-0AA1 + 6RY1803-0GA00
Advanced CUD coated retrofit kit Combination of the spare parts, Advanced CUD coated and connector board coated	6RY1803-0AA25-0AA1 + 6RY1803-0GA20
CBE20 PROFINET	6SL3055-0AA00-2EB0
Memory card (equivalent to spare part for options S01 and S02)	6RX1800-0AS01
Terminal Module TM15	6SL3055-0AA00-3FA0
Terminal Module TM31	6SL3055-0AA00-3AA1
Terminal Module TM150	6SL3055-0AA00-3LA0
Sensor Module Cabinet-Mounted SMC30	6SL3055-0AA00-5CA2
Mounting kit to increase the degree of protection to IP20 for 15 A to 30 A devices	6RX1800-0MA00 ³⁾
Mounting kit to increase the degree of protection to IP20 for 60 A to 280 A devices	6RX1800-0MA01 ³⁾
Mounting kit to increase the degree of protection to IP20 for 400 A to 600 A devices	6RX1800-0MA02 ³⁾
Mounting kit to increase the degree of protection to IP20 for 720 A to 850 A devices	6RX1800-0MA03 ³⁾
SICROWBAR overvoltage protection	Depending on device type 1)
SIMOREG DC-MASTER Converter Commutation Protector	Depending on device type 1)
Firing Unit Trigger-Board	6RY1803-0CP00
Fuses	Depending on device type 4)
Reactors	Depending on device type 5)
RFI suppression filter	Depending on device type 2)
STARTER commissioning tool	6SL3072-0AA00-0AG0
Drive Control Chart (DCC) for SINAMICS	6AU1810-1HA20-1XA0
Drive Control Chart (DCC) for SINAMICS and SIMOTION	6AU1810-1JA20-1XA0
<p>1) Please contact your local Siemens office.</p> <p>2) See Chapter RFI suppression filter (Page 106)</p> <p>3) The installation instructions are provided on the SINAMICS DCM Documentation DVD under "Accessories"</p> <p>4) See Chapter Fuses (Page 150) as well as the catalogs and reference sources specified in this chapter.</p> <p>5) See Chapter Line reactors (Page 146)</p>	

2.4 Ordering information for options and accessories

Table 2- 7 Article numbers for the Advanced Operator Panel AOP30

Article	Article number
Advanced Operator Panel AOP30	6SL3055-0AA00-4CA4
RS485 connecting cable for connecting the AOP30 to one CUD; 3 m	6RY1807-0AP00
RS485 connecting cable for connecting the AOP30 to two CUDs; 3 m	6RY1807-0AP10
<p>Additional cable lengths can be ordered as option. When ordering the RS485 cable with option, the suffix "-Z" must be attached to the article number followed by the order code for the required option. Ordering example for a 35 m long cable: Article number: 6RY1807-0AP00-Z, order code: K35</p>	
Cable length	Order code
5 m	K05
10 m	K10
15 m	K15
20 m	K20
25 m	K25
30 m	K30
35 m	K35
40 m	K40
45 m	K45
50 m	K50

2.5 Accessories

2.5.1 SIMOREG DC-MASTER Converter Commutation Protector (CCP)

As supplement to the series of SINAMICS DCM converters, we offer the SIMOREG DC-MASTER Converter Commutation Protector (SIMOREG CCP).

Area of application

The SIMOREG DC-MASTER Converter Commutation Protector (SIMOREG CCP) is used to protect the semiconductor fuses of a line-commutated converter when operating in the inverter mode.

When an inverter commutation fault occurs, a high current flows in the regenerative feedback direction via the line supply or a cross-current in the converter. SIMOREG CCP limits the current to a non-hazardous value so that the thyristors and the associated super-fast fuses are protected. This therefore eliminates the complex replacement of fuses that takes a considerable amount of time. Although it cannot prevent inverter commutation faults, it can protect its effects.

Compatibility

The SIMOREG CCP is compatible to line-commutated SIMOREG DC-MASTER converters (6RA70 series) and SINAMICS DCM. It can be used for converters connected in parallel.

Using the SIMOREG CCP

The SIMOREG CCP is operated (parameter assignment, fault signals) is realized via the SINAMICS DCM. The SINAMICS DCM must have a software release of 1.2 or higher.

For a parallel connection of SINAMICS DCM units, a SIMOREG CCP must be used for each SINAMICS DCM. In this particular application, each of the SINAMICS DCM must be equipped with a Firing Unit Trigger-Board. The input for the "fast pulse inhibit interface" is implemented there.

For ordering data, see also the section titled "Ordering information for options and accessories".

The operating instructions for the SIMOREG CCP are included on the DVD "SINAMICS DCM documentation". These operating instructions also include

- help to select the suitable SIMOREG CCP
- the instructions to install the Firing Unit Trigger-Board in the SINAMICS DCM
- the instructions to operate the SINAMICS DCM with the SIMOREG CCP

NOTICE

The parallel interface (X165, X166) at the SINAMICS DCM is not compatible to the parallel interface (X165) at the SIMOREG CCP. It is not permissible that both connectors are connected.

For more detailed information as well as support when selecting a suitable SIMOREG CCP for your application, please contact your local Siemens office.

2.5.2 Mounting kit to increase the degree of protection to IP20

Degree of protection IP20 acc. to EN 60529

The degree of protection indicates protection against touching and penetration of solid objects and/or water.

Units in the SINAMICS DCM range are delivered with degree of protection IP00 and therefore offer no protection against touching or penetration. The mounting kit for units with a rated DC current up to 850 A increases the degree of protection to IP20.

Degree of protection IP20 offer protection against touching with the finger and penetration of solid objects greater than 12.5 mm dia, but no protection against water.

For ordering data, see also the section titled "Ordering information for options and accessories".

The installation instructions are provided on the SINAMICS DCM Documentation DVD (as of 12/2010 edition) under "Accessories"

Description

Area of application

The SINAMICS DC MASTER converter units have been specifically designed to supply the armature and field of variable-speed DC motors.

Alternative applications (e.g. supplying the field of a synchronous generator) are also possible.

Design

SINAMICS DC MASTER converter units are compact units containing both the power unit for the armature supply and the power unit for the field supply, as well as the control electronics and possible additional modules.

In the case of units with a 15 A to 1200 A rated DC current, the power units for the armature and field include electrically insulated thyristor modules, meaning that the heat sink is at ground potential. In units with a higher rated DC current, the power unit for the armature circuit includes disc-type thyristors and heat sinks (thyristor modules) at voltage potential.

The units have degree of protection IP00.

The connecting terminals are accessible from the front. The fan supply is fed in from the top; depending on the unit type, the field supply is either fed in from the top or the bottom.

All SINAMICS DC MASTER units are equipped with a Basic Operator Panel BOP20 in the front plate.

The BOP20 can be used

- To make all the settings that are required for commissioning
- To display all relevant measured values
- To display faults and alarms and acknowledge faults
- To switch the drive on and off

Versions

The armature supply is available in the following versions:

- 2-quadrant units:
The armature is supplied via a fully-controlled three-phase bridge (B6C).
- 4-quadrant units:
The armature is supplied via two fully-controlled three-phase bridges connected in a circulating-current-free inverse-parallel configuration ((B6)A(B6)C).

The field supply is available in the following versions:

- 1-phase, single-pair controllable two-pulse bridge circuit (B2HZ)
- 1-phase, fully-controlled two-pulse bridge circuit (B2C) (option)

The electronics (CUD) are available in the following versions:

- Standard CUD
- Advanced CUD (option)
This CUD can be expanded to include a PROFINET module (CBE20) and features two DRIVE-CLiQ connections for connecting additional components from the SINAMICS drive system, as well as a connector for expansion purposes (to include a second CUD).
- Additional (second) CUD (Standard or Advanced) (option)
This additional CUD can be fitted to the right of the first CUD and is used for system-specific extension of the SINAMICS DC MASTER functions.

Additional components

- **Advanced Operator Panel AOP30**
The optional Advanced Operator Panel AOP30 is mounted outside of the unit - in the control cabinet door, for example - rather than inside it.
The AOP30
 - Supports commissioning by means of a commissioning wizard
 - Supports the display of measured values via a graphical operation screen
 - Displays a user-friendly parameter list, including text
 - Features several editors for user-friendly setting and changing of parameters
 - Displays lists of faults and alarms that have occurred, as well as help text concerning the individual faults and alarms
 - Enables "local" drive control (ON/OFF, setpoint setting, jog mode, direction reversal)
 - Features three LEDs for displaying the drive state
- **Additional module CBE20**
The additional module CBE20 is inserted in the optional module slot of an Advanced CUD. It enables the SINAMICS DC MASTER to participate in **PROFINET** network as slave as well as to establish **SINAMICS Link** connections.
- **DRIVE-CLiQ components**
The DRIVE-CLiQ interface enables components from the SINAMICS drive system to be connected.
The following components are supported:
 - TM15 (digital inputs/outputs)
 - TM31 (digital inputs/outputs, analog inputs/outputs)
 - TM150 (temperature sensor inputs)
 - SMC30 (incremental encoder evaluation for actual speed value acquisition)

An SMC30 and up to three TMx modules can be connected to each CUD.

- **Free function blocks (FBLOCKS)**

In a wide variety of applications, a logic operation connecting several states (e.g. access control, system status) to a control signal (e.g. ON command) is required to control the drive system. In addition to logic operations, however, drive systems require mathematical operations and latching elements.

These functions are available in the form of the "free function blocks" function module. There is a range of elementary function blocks that are freely available for use:

- Logic function blocks (AND, OR, XOR, inverter)
- Calculation function blocks (adder, multiplier, divider, absolute-value generator)
- Time function blocks (pulse generator, pulse contracting block, ON delay, OFF delay, pulse stretching)
- Memory function blocks (RS flip-flop, D flip-flop)
- Switch function blocks (binary selector switch, numerical selector switch)
- Control function blocks (limiter, smoothing element, integrator, derivative element)
- Complex function blocks (double-sided limit monitor with hysteresis)

- **Drive Control Chart (DCC)**

DCC is available for applications requiring a more complex method of controlling the drive system which cannot be accomplished using the free function blocks. DCC makes it possible for one of the interconnected elementary function blocks to generate a graphical depiction of an existing function diagram and load it to the SINAMICS DC MASTER. The function diagram may contain up to 750 function blocks. It is possible to configure the time slices in which the individual parts of the function diagram are processed.

Note:

A DCC function diagram can be loaded not only to the CUD in the left-hand slot, but also to an optional second CUD in the right-hand slot.

The automatic speed control processes are computed on the CUD in the left-hand slot, which means that it only provides a small amount of computing capacity for a DCC function diagram (in other words, either only a few function blocks can be computed, or computing can only be carried out in a long time slice).

The CUD in the right-hand slot is primarily available (in addition to the operating system) for one DCC function diagram only.

Technical data

Note

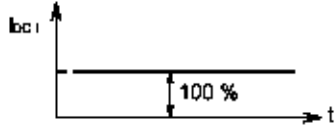
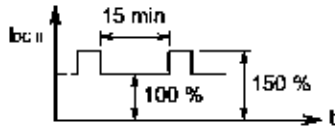
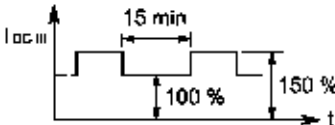
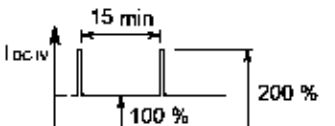
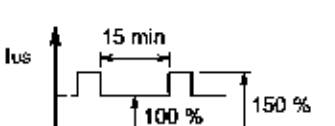
You can find the technical data for the connectors and terminals in the section titled "Connecting".

4.1 Load types

For maximum efficiency when adapting the SINAMICS DC MASTER to the load profile for the driven machine, you can use the load cycle to carry out dimensioning.

Parameter p50067 is used to make the setting on the SINAMICS DC MASTER.

Table 4- 1 Load classes

Load class	Load for converter	Load cycle
DC I (p50067 = 1)	$I_{DC I}$ continuous (I_{dN})	
DC II (p50067 = 2)	$I_{DC II}$ for 15 mins and $1.5 \times I_{DC II}$ for 60 s	
DC III (p50067 = 3)	$I_{DC III}$ for 15 mins and $1.5 \times I_{DC III}$ for 120 s	
DC IV (p50067 = 4)	$I_{DC IV}$ for 15 mins and $2 \times I_{DC IV}$ for 10 s	
US rating (p50067 = 5)	I_{US} for 15 mins and $1.5 \times I_{US}$ for 60 s	

Note

- If a value > 1 is set at p50067, you need to make sure that the "Dynamic overload capability of the power unit" is enabled. This requires a value > 0 to be set at p50075.
 - The SINAMICS DC MASTER does not monitor whether the load class set using p50067 is being adhered to. If the power unit permits it, longer overload periods can be used than correspond to the load class.
The actual permissible overload duration for the particular power unit is always greater than the overload duration corresponding to the particular load class. and the SINAMICS DC MASTER does monitor whether the overload duration that is actually permitted for the power unit is being adhered to. For details on the power unit's dynamic overload capability, refer to Chapter 10.
 - The 100 % I_{DCx} shown above DO NOT generally correspond to the rated unit current, but are reduced corresponding to the subsequent table.
-

Duty cycles for 2Q applications

Table 4- 2 Duty cycles

SINAMICS DCM	Duty cycles									
	T _u	DC I continuous	DC II		DC III		DC IV		US rating T _u = 45 °C	
			15 min 100 %	60 s 150%	15 min 100 %	120 s 150%	15 min 100 %	10 s 200 %	15 min 100 %	60 s 150%
6RA80..	°C	A	A	A	A	A	A	A	A	A
400 V, 2Q										
.25-6DS22	45	60	51.4	77.1	50.2	75.3	46.4	92.8	51.4	77.1
.28-6DS22	45	90	74.4	111	72.8	109	65.4	130	74.4	111
.31-6DS22	45	125	106	159	103	155	96.3	192	106	159
.75-6DS22	40	210	164	247	161	242	136	273	157	236
.78-6DS22	40	280	226	340	219	328	201	402	215	323
.81-6DS22	40	400	290	435	282	423	244	488	278	417
.85-6DS22	40	600	462	693	446	669	413	826	443	665
.87-6DS22	40	850	652	978	622	933	609	1219	619	929
.91-6DS22	40	1200	884	1326	857	1286	768	1537	842	1263
.93-4DS22	40	1600	1255	1883	1213	1819	1139	2279	1190	1785
.95-4DS22	40	2000	1477	2216	1435	2152	1326	2653	1404	2106
.98-4DS22	40	3000	2288	3432	2189	3283	2164	4328	2178	3267
480 V, 2Q										
.25-6FS22	45	60	51.4	77.1	50.2	75.3	46.4	92.8	51.4	77.1
.28-6FS22	45	90	74.4	111	72.8	109	65.4	130	74.4	111
.31-6FS22	45	125	106	159	103	155	96.3	192	106	159
.75-6FS22	40	210	164	247	161	242	136	273	157	236
.78-6FS22	40	280	226	340	219	328	201	402	215	323
.82-6FS22	40	450	320	480	311	466	274	548	306	460
.85-6FS22	40	600	462	693	446	669	413	826	443	665
.87-6FS22	40	850	652	978	622	933	609	1219	619	929
.91-6FS22	40	1200	884	1326	857	1286	768	1537	842	1263
575 V, 2Q										
.25-6GS22	45	60	51.4	77.1	50.2	75.3	46.4	92.8	51.4	77.1
.31-6GS22	45	125	106	159	103	155	96.3	192	106	159
.75-6GS22	40	210	164	247	161	242	136	273	157	236
.81-6GS22	40	400	290	435	282	423	244	488	278	417
.85-6GS22	40	600	462	693	446	669	413	826	443	665
.87-6GS22	40	800	607	911	581	872	559	1118	578	867
.90-6GS22	40	1100	804	1207	782	1173	689	1379	766	1150
.93-4GS22	40	1600	1255	1883	1213	1819	1139	2279	1190	1785
.95-4GS22	40	2000	1663	2494	1591	2386	1568	3136	1569	2354
.96-4GS22	40	2200	1779	2669	1699	2549	1697	3394	1678	2517

.97-4GS22	40	2800	2136	3204	2044	3066	2022	4044	2024	3036
690 V, 2Q										
.86-6KS22	40	720	553	829	527	791	515	1031	525	788
.90-6KS22	40	1000	737	1105	715	1072	639	1279	702	1053
.93-4KS22	40	1500	1171	1757	1140	1710	1036	2073	1116	1674
.95-4KS22	40	2000	1589	2383	1522	2283	1505	3011	1503	2255
.97-4KS22	40	2600	1992	2989	1906	2859	1887	3774	1876	2815
830 V, 2Q										
.88-6LS22	40	950	700	1051	679	1019	607	1215	667	1001
.93-4LS22	40	1500	1171	1757	1140	1710	1036	2073	1116	1674
.95-4LS22	40	1900	1485	2228	1421	2132	1396	2793	1414	2121
950 V, 2Q										
.96-4MS22	40	2200	1674	2511	1603	2404	1570	3141	1588	2382

Duty cycles for 4Q applications

Table 4- 3 Duty cycles

SINAMICS DCM	Duty cycles									
	Tu	DC I continuous	DC II		DC III		DC IV		US rating Tu = 45 °C	
			15 min 100 %	60 s 150%	15 min 100 %	120 s 150%	15 min 100 %	10 s 200 %	15 min 100 %	60 s 150%
6RA80..	°C	A	A	A	A	A	A	A	A	A
400 V, 4Q										
.13-6DV62	45	15	13.9	20.8	13.5	20.2	12.6	25.2	13.9	20.8
.18-6DV62	45	30	24.9	37.3	24.2	36.3	22.4	44.8	24.9	37.3
.25-6DV62	45	60	53.1	79.6	51.8	77.7	47.2	94.4	53.1	79.6
.28-6DV62	45	90	78.2	117	76.0	114	72.2	144	78.2	117
.31-6DV62	45	125	106	159	103	155	95.4	190	106	159
.75-6DV62	40	210	164	247	161	242	136	273	157	236
.78-6DV62	40	280	226	340	219	328	201	402	215	323
.81-6DV62	40	400	300	450	292	438	247	494	285	428
.85-6DV62	40	600	470	706	453	680.	410	820	450	675
.87-6DV62	40	850	658	987	634	951	579	1159	626	939
.91-6DV62	40	1200	884	1326	857	1286	768	1537	842	1263
.93-4DV62	40	1600	1255	1883	1213	1819	1139	2279	1190	1785
.95-4DV62	40	2000	1477	2216	1435	2152	1326	2653	1404	2106
.98-4DV62	40	3000	2288	3432	2189	3283	2164	4328	2178	3267
480 V, 4Q										
.13-6FV62	45	15	13.9	20.8	13.5	20.2	12.6	25.2	13.9	20.8
.18-6FV62	45	30	24.9	37.3	24.2	36.3	22.4	44.8	24.9	37.3
.25-6FV62	45	60	53.1	79.6	51.8	77.7	47.2	94.4	53.1	79.6
.28-6FV62	45	90	78.2	117	76	114	72.2	144	78.2	117

Technical data

4.1 Load types

.31-6FV62	45	125	106	159	103	155	95.4	190	106	159
.75-6FV62	40	210	164	247	161	242	136	273	157	236
.78-6FV62	40	280	226	340	219	328	201	402	215	323
.82-6FV62	40	450	320	480	311	466	274	548	306	460
.85-6FV62	40	600	470	706	453	680	410	820	450	675
.87-6FV62	40	850	658	987	634	951	579	1159	626	939
.91-6FV62	40	1200	884	1326	857	1286	768	1537	842	1263
575 V, 4Q										
.25-6GV62	45	60	53.1	79.6	51.8	77.7	47.2	94.4	53.1	79.6
.31-6GV62	45	125	106	159	103	155	95.4	190	106	159
.75-6GV62	40	210	164	247	161	242	136	273	157	236
.81-6GV62	40	400	300	450	292	438	247	494	285	428
.85-6GV62	40	600	470	706	453	680	410	820	450	675
.87-6GV62	40	850	658	987	634	951	579	1159	626	939
.90-6GV62	40	1100	804	1207	782	1173	689	1379	766	1150
.93-4GV62	40	1600	1255	1883	1213	1819	1139	2279	1190	1785
.95-4GV62	40	2000	1663	2494	1591	2386	1568	3136	1569	2354
.96-4GV62	40	2200	1779	2669	1699	2549	1697	3394	1678	2517
.97-4GV62	40	2800	2136	3204	2044	3066	2022	4044	2024	3036
690 V, 4Q										
.86-6KV62	40	760	598	898	575	863	532	1065	569	853
.90-6KV62	40	1000	737	1105	715	1072	639	1279	702	1053
.93-4KV62	40	1500	1171	1757	1140	1710	1036	2073	1116	1674
.95-4KV62	40	2000	1589	2383	1522	2283	1505	3011	1503	2255
.97-4KV62	40	2600	1992	2989	1906	2859	1887	3774	1876	2815
830 V, 4Q										
.88-6LV62	40	950	700	1051	679	1019	607	1215	667	1001
.93-4LV62	40	1500	1171	1757	1140	1710	1036	2073	1116	1674
.95-4LV62	40	1900	1485	2228	1421	2132	1396	2793	1414	2121
950 V, 4Q										
.96-4MV62	40	2200	1674	2511	1603	2404	1570	3141	1588	2382

4.2 Environmental requirements

Environmental classes according to EN 60721-3

Table 4- 4 Environmental classes

Use	Environmental condition	Environmental class	Comment
Operation	Mechanical stability	see remark	<ul style="list-style-type: none"> Vibratory load (test and measuring procedure according to EN 60068-2-6, Fc): Constant deflection = 0.075 mm at 10 ... 58 Hz Constant acceleration = 10 m/s² at 58 ... 200 Hz Shock load (test and measuring procedure according to EN 60068-2-27, Ea): Acceleration = 150 m/s² at 11 ms
	Climatic influences	3K3	No condensation, splash water, or icing allowed. For air temperature, see "Ambient temperature" below
	Biological influences	3B1	-
	Hazardous chemical substances	3C1	-
	Mechanically hazardous materials	3S2	-
Transportation	Mechanical stability	2M2	Tipping is not permitted.
	Climatic influences	2K2	Air temperature of -40 °C to +70 °C is permitted ¹⁾
	Biological influences	2B1	-
	Hazardous chemical substances	2C1	-
	Mechanically hazardous materials	2S1	-
Storage	Mechanical stability	1M2	Tipping is not permitted.
	Climatic influences	1K3	Air temperature of -40 °C to +70 °C is permitted ¹⁾
	Biological influences	1B1	-
	Hazardous chemical substances	1C1	-
	Mechanically hazardous materials	1S1	-

¹⁾ Only applies when product is in its original packing

Ambient temperature

Table 4- 5 Ambient temperature Tu

Use	Tu [°C]	Comment
Storage	-40 ... +70	Only applies when product is in its original packing
Transportation	-40 ... +70	Only applies when product is in its original packing
Operation	0 ... +45	for units with a rated DC current ≤ 125 A (self-ventilated units), at rated DC current
	0 ... +40	for units with a rated DC current ≥ 210 A (force ventilated units), at rated DC current
	0 ... +55	With derating; see the section titled "Derating" after the unit data

Installation altitude above sea level

$\leq 1,000$ m With rated DC current

$> 1,000$ m With derating; see the section titled "Derating" after the unit data

4.3 Unit data

For dimension drawings, please refer to Chapter 5.

Explanation of footnotes following tables

3-ph. 400 VAC, 2Q devices			
6RA8025-6DS22-0AA0	6RA8028-6DS22-0AA0	6RA8031-6DS22-0AA0	6RA8075-6DS22-0AA0
6RA8078-6DS22-0AA0	6RA8081-6DS22-0AA0	6RA8085-6DS22-0AA0	6RA8087-6DS22-0AA0
6RA8091-6DS22-0AA0			
6RA8093-4DS22-0AA0	6RA8095-4DS22-0AA0	6RA8098-4DS22-0AA0	

Table 4- 6 Technical data for 3-ph. 400 VAC, 2Q devices

Common data	
Rated armature supply voltage ¹⁾	V 3-ph. 400 VAC (+15% / -20%); for device 6RA8098-4DS22-0AA0: +10% / -20%
Electronic power supply, rated supply voltage	V 2-ph. 380 (-25%) to 480 VAC (+10%); In = 1 A or 1-ph. 190 (-25%) to 240 VAC (+10%); In = 2 A (-35% for 1 min.) With option L05: 18 to 30 VDC; In = 5 A
Rated DC voltage ¹⁾	V 485
Rated frequency	Hz 45 to 65 ¹⁰⁾
Overload possibility ⁶⁾	Max. 1.8x rated DC current
Closed-loop control constancy	$\Delta n = 0.006\%$ of the rated motor speed during operation with incremental encoder and digital setpoint $\Delta n = 0.1\%$ of the rated motor speed during operation with analog tachometer or analog setpoint ⁵⁾
Degree of protection	IP00 acc. to DIN EN 60529
Protection class	Class I (with protective conductor system) and class III (PELV) according to EN 61800-5-1

Table 4- 7 Technical data for 3-ph. 400 VAC, 60 to 210 A, 2Q devices

Article number 6RA8025-6DS22-...	..28-6DS22-...	..31-6DS22-...	..75-6DS22-...
Rated DC current	A	60	90	125	210
Rated armature input current ²⁾	A	49.8	74.7	104	174
Rated power	kW	29.1	43.7	60.6	102
Power loss at rated DC current (approx.)	W	250	356	409	689
Rated field supply voltage ¹⁾	V	2-ph. 400 VAC (+15% / -20%)			
Rated field DC voltage ¹⁾	V	325	325	325	325
Rated field DC current	A	10	10	10	15

Technical data

4.3 Unit data

Article number 6RA8025-6DS22-...	..28-6DS22-...	..31-6DS22-...	..75-6DS22-...
Type of cooling		Self-ventilated	Self-ventilated	Self-ventilated	Forced ventilation
Rated fan supply voltage	V	-	-	-	Fan with internal power supply
Fan air flow	m ³ /h	-	-	-	300
Fan noise level	dB(A)	-	-	-	70.3
Dimensions (HxWxD)	mm	385x268x252	385x268x252	385x268x252	385x268x252
Weight (approx.)	kg	11	14	14	14
Rated DC voltage for single-phase operation	V	320	320	320	-
Rated DC current for single-phase operation	A	42.0	63.0	87.5	-

Table 4- 8 Technical data for 3-ph. 400 VAC, 280 to 850 A, 2Q devices

Article number 6RA8078-6DS22-...	..81-6DS22-...	..85-6DS22-...	..87-6DS22-...
Rated DC current	A	280	400	600	850
Rated armature input current ²⁾	A	232	332	498	706
Rated power	kW	136	194	291	412
Power loss at rated DC current (approx.)	W	812	1375	1844	2467
Rated field supply voltage ¹⁾	V	2-ph. 400 VAC (+15% / -20%)			
Rated field DC voltage ¹⁾	V	325	325	325	325
Rated field DC current	A	15	25	25	30
Type of cooling		Forced ventilation	Forced ventilation	Forced ventilation	Forced ventilation
Rated fan supply voltage	V	Fan with internal power supply	3-ph. 400 VAC (±15%) 50 Hz / clockwise phase sequence 3-ph. 460 VAC (±10%) 60 Hz / clockwise phase sequence With option L21: 1-ph. 230 VAC (±10%)		
Rated fan current	50 Hz 60 Hz	A	-	0.23 ⁸⁾ 0.26 ⁸⁾	0.23 ⁸⁾ 0.26 ⁸⁾
Rated fan current with option L21	50 Hz 60 Hz	A	-	0.51 ⁸⁾ 0.72 ⁸⁾	0.51 ⁸⁾ 0.72 ⁸⁾
Fan air flow	m ³ /h	300	600	600	600
Fan noise level	50 Hz 60 Hz	dB(A)	70.3 70.3	70.3 74.4	70.3 74.4
Dimensions (HxWxD)	mm	385x268x252	625x268x275	625x268x275	700x268x311
Weight (approx.)	kg	15	26	28	38

Table 4- 9 Technical data for 3-ph. 400 VAC, 1200 A, 2Q devices

Article number 6RA8091-6DS22-...		
Rated DC current	A	1200	
Rated armature input current ²⁾	A	995	
Rated power	kW	582	
Power loss at rated DC current (approx.)	W	4107	
Rated field supply voltage ¹⁾	V	2-ph. 480 VAC (+10% / -20%)	
Rated field DC voltage ¹⁾	V	390	
Rated field DC current	A	40	
Type of cooling	Forced ventilation		
Rated fan supply voltage	V	3-ph. 400 VAC (±10%) 50 Hz / clockwise phase sequence 3-ph. 460 VAC (±10%) 60 Hz / clockwise phase sequence with option L21: 1-ph. 230 VAC (±10%)	
Rated fan current	50 Hz 60 Hz	A	0.38 ⁹⁾ 0.5 ⁹⁾
Rated fan current with option L21	50 Hz 60 Hz	A	1.16 ⁹⁾ 1.7 ⁹⁾
Fan air flow	m ³ /h		1000
Fan noise level	50 Hz 60 Hz	dBA	70.4 74.2
Dimensions (HxWxD)	mm		785x268x435
Weight (approx.)	kg		78

Table 4- 10 Technical data for 3-ph. 400 VAC, 1600 A to 3000 A, 2Q devices

Article number 6RA8093-4DS22-...		..95-4DS22-...	..98-4DS22-...
Rated DC current	A	1600	2000	3000
Rated armature input current ²⁾	A	1328	1660	2490
Rated power	kW	776	970	1455
Power loss at rated DC current (approx.)	W	5678	6781	10640
Rated field supply voltage ¹⁾	V	2-ph. 480 VAC (+10% / -20%)		
Rated field DC voltage ¹⁾	V	390	390	390
Rated field DC current	A	40	40	40
Type of cooling	Forced ventilation		Forced ventilation	Forced ventilation
Rated fan supply voltage	V	3-ph. 400 VAC (±10%) 50 Hz / clockwise phase sequence 3-ph. 460 VAC (±10%) 60 Hz / clockwise phase sequence		

Technical data

4.3 Unit data

Article number 6RA8093-4DS22-...	..95-4DS22-...	..98-4DS22-...
Rated fan current	50 Hz	A	0.95 ⁹⁾	0.95 ⁹⁾	0.95 ⁹⁾
	60 Hz		1.25 ⁹⁾	1.25 ⁹⁾	1.25 ⁹⁾
Fan air flow		m ³ /h	2400	2400	2400
Fan noise level	50 Hz	dBA	80.8	80.8	80.8
	60 Hz		83.2	83.2	83.2
Dimensions (HxWxD)		mm	883x453x505	883x453x505	883x453x505
Weight (approx.)		kg	135	135	165

3-ph. 480 VAC, 2Q devices

<i>6RA8025-6FS22-0AA0</i>	<i>6RA8028-6FS22-0AA0</i>	<i>6RA8031-6FS22-0AA0</i>	
<i>6RA8075-6FS22-0AA0</i>	<i>6RA8078-6FS22-0AA0</i>		
<i>6RA8082-6FS22-0AA0</i>	<i>6RA8085-6FS22-0AA0</i>	<i>6RA8087-6FS22-0AA0</i>	<i>6RA8091-6FS22-0AA0</i>

Table 4- 11 Technical data for 3-ph. 480 VAC, 2Q devices

Common data		
Rated armature supply voltage ¹⁾	V	3-ph. 480 VAC (+10% / -20%)
Rated field supply voltage ¹⁾	V	2-ph. 480 VAC (+10% / -20%)
Electronic power supply, rated supply voltage	V	2-ph. 380 (-25%) to 480 VAC (+10%); In = 1 A or 1-ph. 190 (-25%) to 240 VAC (+10%); In = 2 A (-35% for 1 min.) With option L05: 18 to 30 VDC; In = 5 A
Rated DC voltage ¹⁾	V	575
Rated field DC voltage ¹⁾	V	390
Rated frequency	Hz	45 to 65 ¹⁰⁾
Overload possibility ⁶⁾		Max. 1.8x rated DC current
Closed-loop control constancy		$\Delta n = 0.006\%$ of the rated motor speed during operation with incremental encoder and digital setpoint $\Delta n = 0.1\%$ of the rated motor speed during operation with analog tachometer or analog setpoint ⁵⁾
Degree of protection		IP00 acc. to DIN EN 60529
Protection class		Class I (with protective conductor system) and class III (PELV) according to EN 61800-5-1

Table 4- 12 Technical data for 3-ph. 480 VAC, 60 A to 125 A, 2Q devices

Article number 6RA8025-6FS22-...	..28-6FS22-...	..31-6FS22-...
Rated DC current	A	60	90	125
Rated armature input current ²⁾	A	49.8	74.7	104
Rated power	kW	34.5	51.8	71.9
Power loss at rated DC current (approx.)	W	299	378	431
Rated field DC current	A	10	10	10
Type of cooling		Self-ventilated	Self-ventilated	Self-ventilated
Dimensions (HxWxD)	mm	385x268x252	385x268x252	385x268x252
Weight (approx.)	kg	11	14	14
Rated DC voltage for single-phase operation	V	385	385	385
Rated DC current for single-phase operation	A	42.0	63.0	87.5

Table 4- 13 Technical data for 3-ph. 480 VAC, 210 A to 280 A, 2Q devices

Article number 6RA8075-6FS22-...	..78-6FS22-...
Rated DC current	A	210	280
Rated armature input current ²⁾	A	174	232
Rated power	kW	121	161
Power loss at rated DC current (approx.)	W	720	811
Rated field DC current	A	15	15
Type of cooling		Forced ventilation	Forced ventilation
Rated fan supply voltage	V	Fan with internal power supply	Fan with internal power supply
Fan air flow	m ³ /h	300	300
Fan noise level	dBA	70.3	70.3
Dimensions (HxWxD)	mm	385x268x252	385x268x252
Weight (approx.)	kg	14	15

Technical data

4.3 Unit data

Table 4- 14 Technical data for 3-ph. 480 VAC, 450 A to 1200 A, 2Q devices

Article number 6RA8082-6FS22-...	..85-6FS22-...	..87-6FS22-...	..91-6FS22-...	
Rated DC current	A	450	600	850	1200	
Rated armature input current ²⁾	A	374	498	706	996	
Rated power	kW	259	345	489	690	
Power loss at rated DC current (approx.)	W	1583	1909	2597	4237	
Rated field DC current	A	25	25	30	40	
Type of cooling		Forced ventilation	Forced ventilation	Forced ventilation	Forced ventilation	
Rated fan supply voltage	50 Hz	V	3-ph. 400 VAC (±15%)	3-ph. 400 VAC (±15%)	3-ph. 400 VAC (±15%)	3-ph. 400 VAC (±10%)
	60 Hz	V	3-ph. 460 VAC (±10%)	3-ph. 460 VAC (±10%)	3-ph. 460 VAC (±10%)	3-ph. 460 VAC (±10%)
		V	With option L21: 1-ph. 230 VAC (±10%)			
Rated fan current	50 Hz	A	0.27	0.27	0.27	0.38
	60 Hz		0.33	0.33	0.33	0.5
Rated fan current with option L21	50 Hz	A	0.68	0.68	0.68	0.16
	60 Hz		0.95	0.95	0.95	1.7
Fan air flow		m ³ /h	600	600	600	1000
Fan noise level	50 Hz	dB(A)	70.3	70.3	70.3	70.4
	60 Hz		74.4	74.4	74.4	74.2
Dimensions (HxWxD)		mm	625x268x275	625x268x275	700x268x311	785x268x435
Weight (approx.)		kg	28	28	38	78

3-ph. 575 VAC, 2Q devices

<i>6RA8025-6GS22-0AA0</i>	<i>6RA8031-6GS22-0AA0</i>	<i>6RA8075-6GS22-0AA0</i>	
<i>6RA8081-6GS22-0AA0</i>	<i>6RA8085-6GS22-0AA0</i>	<i>6RA8087-6GS22-0AA0</i>	<i>6RA8090-6GS22-0AA0</i>
<i>6RA8093-4GS22-0AA0</i>	<i>6RA8095-4GS22-0AA0</i>	<i>6RA8096-4GS22-0AA0</i>	<i>6RA8097-4GS22-0AA0</i>

Table 4- 15 Technical data for 3-ph. 575 VAC, 2Q devices

Common data	
Rated armature supply voltage ¹⁾	V 3-ph. 575 VAC (+10% / -20%)
Rated field supply voltage ¹⁾	V 2-ph. 480 VAC (+10% / -20%)
Electronic power supply, rated supply voltage	V 2-ph. 380 (-25%) to 480 VAC (+10%); In = 1 A or 1-ph. 190 (-25%) to 240 VAC (+10%); In = 2 A (-35% for 1 min.) With option L05: 18 to 30 VDC; In = 5 A
Rated DC voltage ¹⁾	V 690
Rated field DC voltage ¹⁾	V 390

Common data	
Rated frequency	Hz 45 to 65 ¹⁰⁾
Overload possibility ⁶⁾	Max. 1.8x rated DC current
Closed-loop control constancy	$\Delta n = 0.006\%$ of the rated motor speed during operation with incremental encoder and digital setpoint $\Delta n = 0.1\%$ of the rated motor speed during operation with analog tachometer or analog setpoint ⁵⁾
Degree of protection	IP00 acc. to DIN EN 60529
Protection class	Class I (with protective conductor system) and class III (PELV) according to EN 61800-5-1

Table 4- 16 Technical data for 3-ph. 575 VAC, 60 A to 210 A, 2Q devices

Article number 6RA8025-6GS22-...	..31-6GS22-...	..75-6GS22-...
Rated DC current	A	60	125	210
Rated armature input current ²⁾	A	49.8	104	174
Rated power	kW	41.4	86.3	145
Power loss at rated DC current (approx.)	W	274	463	742
Rated field DC current	A	10	10	15
Type of cooling		Self-ventilated	Self-ventilated	Forced ventilation
Rated fan supply voltage	V	-	-	Fan with internal power supply
Fan air flow	m ³ /h	-	-	300
Fan noise level	dB(A)	-	-	70.3
Dimensions (HxWxD)	mm	385x268x252	385x268x252	385x268x252
Weight (approx.)	kg	11	14	14
Rated DC voltage for single-phase operation	V	460	460	-
Rated DC current for single-phase operation	A	42.0	87.5	-

Technical data

4.3 Unit data

Table 4- 17 Technical data for 3-ph. 575 VAC, 400 A to 1100 A, 2Q devices

Article number 6RA8081-6GS22-...	..85-6GS22-...	..87-6GS22-...	..90-6GS22-...	
Rated DC current	A	400	600	800	1100	
Rated armature input current ²⁾	A	332	498	664	913	
Rated power	kW	276	414	552	759	
Power loss at rated DC current (approx.)	W	1598	2002	2686	4022	
Rated field DC current	A	25	25	30	40	
Type of cooling		Forced ventilation	Forced ventilation	Forced ventilation	Forced ventilation	
Rated fan supply voltage	50 Hz	V	3-ph. 400 VAC (±15%) clockwise phase sequence	3-ph. 400 VAC (±15%) clockwise phase sequence	3-ph. 400 VAC (±15%) clockwise phase sequence	3-ph. 400 VAC (±10%) clockwise phase sequence
	60 Hz	V	3-ph. 460 VAC (±10%) clockwise phase sequence	3-ph. 460 VAC (±10%) clockwise phase sequence	3-ph. 460 VAC (±10%) clockwise phase sequence	3-ph. 460 VAC (±10%) clockwise phase sequence
With option L21: 1-ph. 230 VAC (±10%)						
Rated fan current	50 Hz	A	0.27 ⁸⁾	0.27 ⁸⁾	0.27 ⁸⁾	0.38 ⁹⁾
	60 Hz		0.33	0.33	0.33	0.5
Rated fan current with option L21	50 Hz	A	0.68	0.68	0.68	1.16
	60 Hz		0.95	0.95	0.95	1.7
Fan air flow		m ³ /h	600	600	600	1000
Fan noise level	50 Hz	dB(A)	70.3	70.3	70.3	70.4
	60 Hz		74.4	74.4	74.4	74.2
Dimensions (HxWxD)		mm	625x268x275	625x268x275	700x268x311	785x268x435
Weight (approx.)		kg	26	28	38	78

Table 4- 18 Technical data for 3-ph. 575 VAC, 1600 A to 2800 A, 2Q devices

Article number 6RA8093-4GS22-...	..95-4GS22-...	..96-4GS22-...	..97-4GS22-...	
Rated DC current	A	1600	2000	2200	2800	
Rated armature input current ²⁾	A	1328	1660	1826	2324	
Rated power	kW	1104	1380	1518	1932	
Power loss at rated DC current (approx.)	W	6036	7073	7391	10530	
Rated field DC current	A	40	40	40	40	
Type of cooling		Forced ventilation	Forced ventilation	Forced ventilation	Forced ventilation	
Rated fan supply voltage	V	3-ph. 400 VAC (±10%) 50 Hz / clockwise phase sequence 3-ph. 460 VAC (±10%) 60 Hz / clockwise phase sequence				
Rated fan current	50 Hz	A	0.95 ⁹⁾	0.95 ⁹⁾	0.95 ⁹⁾	0.95 ⁹⁾
	60 Hz		1.25	1.25	1.25	1.25
Fan air flow		m ³ /h	2400	2400	2400	2400

Article number 6RA8093-4GS22-...	..95-4GS22-...	..96-4GS22-...	..97-4GS22-...
Fan noise level	50 Hz	dBA	80.3	80.3	80.3	80.3
	60 Hz		83.2	83.2	83.2	83.2
Dimensions (HxWxD)		mm	883x453x505	883x453x505	883x453x505	883x453x505
Weight (approx.)		kg	135	135	165	165

3-ph. 690 VAC, 2Q devices

6RA8086-6KS22-0AA0

6RA8090-6KS22-0AA0

6RA8093-4KS22-0AA0

6RA8095-4KS22-0AA0

6RA8097-4KS22-0AA0

Table 4- 19 Technical data for 3-ph. 690 VAC, 2Q devices

Common data	
Rated armature supply voltage ¹⁾	V 3-ph. 690 VAC (+10% / -20%)
Rated field supply voltage ¹⁾	V 2-ph. 480 VAC (+10% / -20%)
Electronic power supply, rated supply voltage	V 2-ph. 380 (-25%) to 480 VAC (+10%); In=1 A or 1-ph. 190 (-25%) to 240 VAC (+10%); In=2 A (-35% for 1 min.) With option L05: 18 to 30 VDC; In = 5 A
Rated DC voltage ¹⁾	V 830
Rated field DC voltage ¹⁾	V 390
Rated frequency	Hz 45 to 65 ¹⁰⁾
Overload possibility ⁶⁾	Max. 1.8x rated DC current
Closed-loop control constancy	$\Delta n = 0.006\%$ of the rated motor speed during operation with incremental encoder and digital setpoint $\Delta n = 0.1\%$ of the rated motor speed during operation with analog tachometer or analog setpoint ⁵⁾
Degree of protection	IP00 acc. to DIN EN 60529
Protection class	Class I (with protective conductor system) and class III (PELV) according to EN 61800-5-1

Technical data

4.3 Unit data

Table 4- 20 Technical data for 3-ph. 690 VAC, 720 A to 1000 A, 2Q devices

Article number 6RA8086-6KS22-...		..90-6KS22-...	
Rated DC current	A	720		1000	
Rated armature input current ²⁾	A	598		830	
Rated power	kW	598		830	
Power loss at rated DC current (approx.)	W	2767		3963	
Rated field DC current	A	30		40	
Type of cooling		Forced ventilation		Forced ventilation	
Rated fan supply voltage	V	3-ph. 400 VAC (±15%) 50 Hz / clockwise phase sequence 3-ph. 460 VAC (±10%) 60 Hz / clockwise phase sequence With option L21: 1-ph. 230 VAC (±10%)		3-ph. 400 VAC (±10%) 50 Hz / clockwise phase sequence 3-ph. 460 VAC (±10%) 60 Hz / clockwise phase sequence With option L21: 1-ph. 230 VAC (±10%)	
Rated fan current	50 Hz 60 Hz	A	0.27 ⁸⁾ 0.33	0.38 ⁹⁾ 0.5	
Rated fan current with option L21	50 Hz 60 Hz	A	0.68 0.95	1.16 1.7	
Fan air flow		m ³ /h	600	1000	
Fan noise level	50 Hz 60 Hz	dB(A)	70.3 74.4	70.4 74.2	
Dimensions (HxWxD)		mm	700x268x311	785x268x435	
Weight (approx.)		kg	38	78	

Table 4- 21 Technical data for 3-ph. 690 VAC, 1500 A to 2600 A, 2Q devices

Article number 6RA8093-4KS22-...		..95-4KS22-...		..97-4KS22-...	
Rated DC current	A	1500		2000		2600	
Rated armature input current ²⁾	A	1245		1660		2158	
Rated power	kW	1245		1660		2158	
Power loss at rated DC current (approx.)	W	6675		8158		10300	
Rated field DC current	A	40		40		40	
Type of cooling		Forced ventilation		Forced ventilation		Forced ventilation	
Rated fan supply voltage	V	3-ph. 400 VAC (±10%) 50 Hz / clockwise phase sequence 3-ph. 460 VAC (±10%) 60 Hz / clockwise phase sequence					
Rated fan current	50 Hz 60 Hz	A	0.95 ⁹⁾ 1.25	0.95 ⁹⁾ 1.25		0.95 ⁹⁾ 1.25	
Fan air flow		m ³ /h	2400	2400		2400	
Fan noise level	50 Hz 60 Hz	dB(A)	80.8 83.2	80.8 83.2		80.8 83.2	
Dimensions (HxWxD)		mm	883x453x505	883x453x505		883x453x505	
Weight (approx.)		kg	135	135		165	

3-ph. 830 VAC, 2Q devices

6RA8088-6LS22-0AA0

6RA8093-4LS22-0AA0

6RA8095-4LS22-0AA0

Table 4- 22 Technical data for 3-ph. 830 VAC, 2Q devices

Common data	
Rated armature supply voltage ¹⁾	V 3-ph. 830 VAC (+10% / -20%)
Rated field supply voltage ¹⁾	V 2-ph. 480 VAC (+10% / -20%)
Electronic power supply, rated supply voltage	V 2-ph. 380 (-25%) to 480 VAC (+10%); In = 1 A or 1-ph. 190 (-25%) to 240 VAC (+10%); In = 2 A (-35% for 1min.) With option L05: 18 to 30 VDC; In = 5 A
Rated DC voltage ¹⁾	V 1000
Rated field DC voltage ¹⁾	V 390
Rated frequency	Hz 45 to 65 ¹⁰⁾
Overload possibility ⁶⁾	Max. 1.8x rated DC current
Closed-loop control constancy	$\Delta n = 0.006\%$ of the rated motor speed during operation with incremental encoder and digital setpoint $\Delta n = 0.1\%$ of the rated motor speed during operation with analog tachometer or analog setpoint ⁵⁾
Degree of protection	IP00 acc. to DIN EN 60529
Protection class	Class I (with protective conductor system) and class III (PELV) according to EN 61800-5-1

Table 4- 23 Technical data for 3-ph. 830 VAC, 900 A to 1900 A, 2Q devices

Article number 6RA8088-6LS22-...	..93-4LS22-...	..95-4LS22-...
Rated DC current	A	950	1500	1900
Rated armature input current ²⁾	A	789	1245	1577
Rated power	kW	950	1500	1900
Power loss at rated DC current (approx.)	W	4221	7122	8669
Rated field DC current	A	40	40	40
Type of cooling		Forced ventilation	Forced ventilation	Forced ventilation
Rated fan supply voltage	50 Hz 60 Hz	V 3-ph. 400 VAC ($\pm 10\%$) / clockwise phase sequence 3-ph. 460 VAC ($\pm 10\%$) / clockwise phase sequence	3-ph. 400 VAC ($\pm 10\%$) / clockwise phase sequence 3-ph. 460 VAC ($\pm 10\%$) / clockwise phase sequence	

Technical data

4.3 Unit data

Article number 6RA8088-6LS22-...	..93-4LS22-...	..95-4LS22-...
			With option L21: 1-ph. 230 VAC ($\pm 10\%$)		
Rated fan current	50 Hz	A	0.38 ⁹⁾	0.95 ⁹⁾	0.95 ⁹⁾
	60 Hz		0.5	1.25	1.25
Rated fan current with option L21	50 Hz	A	1.16	-	-
	60 Hz		1.7		
Fan air flow		m ³ /h	1000	2400	2400
Fan noise level	50 Hz	dBA	70.4	80.8	80.8
	60 Hz		74.2	83.2	83.2
Dimensions (HxWxD)		mm	785x268x435	883x453x505	883x453x505
Weight (approx.)		kg	78	135	135

3-ph. 400 VAC, 4Q devices

<i>6RA8013-6DV62-0AA0</i>	<i>6RA8018-6DV62-0AA0</i>	<i>6RA8025-6DV62-0AA0</i>	<i>6RA8028-6DV62-0AA0</i>
<i>6RA8031-6DV62-0AA0</i>	<i>6RA8075-6DV62-0AA0</i>	<i>6RA8078-6DV62-0AA0</i>	
<i>6RA8081-6DV62-0AA0</i>	<i>6RA8085-6DV62-0AA0</i>	<i>6RA8087-6DV62-0AA0</i>	
<i>6RA8091-6DV62-0AA0</i>			
<i>6RA8093-4DV62-0AA0</i>	<i>6RA8095-4DV62-0AA0</i>	<i>6RA8098-4DV62-0AA0</i>	

Table 4- 24 Technical data for 3-ph. 400 VAC, 4Q devices

Common data	
Rated armature supply voltage ¹⁾	V 3-ph. 400 VAC (+15% / -20%); for devices 6RA8098-4DV62-0AA0: +10% / -20%
Electronic power supply, rated supply voltage	V 2-ph. 380 (-25%) to 480 VAC (+10%); I _n = 1 A or 1-ph. 190 (-25%) to 240 VAC (+10%); I _n = 2 A (-35% for 1 min.) With option L05: 18 to 30 VDC; I _n = 5 A
Rated DC voltage ¹⁾	V 420
Rated frequency	Hz 45 to 65 ¹⁰⁾
Overload possibility ⁶⁾	Max. 1.8x rated DC current
Closed-loop control constancy	Δn = 0.006% of the rated motor speed during operation with incremental encoder and digital setpoint Δn = 0.1% of the rated motor speed during operation with analog tachometer or analog setpoint ⁵⁾
Degree of protection	IP00 acc. to DIN EN 60529
Protection class	Class I (with protective conductor system) and class III (PELV) according to EN 61800-5-1

Table 4- 25 Technical data for 3-ph. 400 VAC, 15 A to 90 A, 4Q devices

Article number 6RA8013-6DV62-...	..18-6DV62-...	..25-6DV62-...	..28-6DV62-...
Rated DC current	A	15	30	60	90
Rated armature input current ²⁾	A	12.5	24.9	49.8	74.7
Rated power	kW	6.3	12.6	25.2	37.8
Power loss at rated DC current (approx.)	W	131	180	250	321
Rated field supply voltage ¹⁾	V	2-ph. 400 VAC (+15% / -20%)			
Rated field DC voltage ¹⁾	V	325	325	325	325
Rated field DC current	A	3	5	10	10
Type of cooling		Self-ventilated	Self-ventilated	Self-ventilated	Self-ventilated
Dimensions (HxWxD)	mm	385x268x221	385x268x221	385x268x252	385x268x252
Weight (approx.)	kg	11	11	11	14
Rated DC voltage for single-phase operation	V	280	280	280	280
Rated DC current for single-phase operation	A	10.5	21.0	42.0	63.0

Table 4- 26 Technical data for 3-ph. 400 VAC, 125 A to 280 A, 4Q devices

Article number 6RA8031-6DV62-...	..75-6DV62-...	..78-6DV62-...
Rated DC current	A	125	210	280
Rated armature input current ²⁾	A	104	174	232
Rated power	kW	52.5	88.2	118
Power loss at rated DC current (approx.)	W	409	689	812
Rated field supply voltage ¹⁾	V	2-ph. 400 VAC (+15% / -20%)		
Rated field DC voltage ¹⁾	V	325	325	325
Rated field DC current	A	10	15	15
Type of cooling		Self-ventilated	Forced ventilation	Forced ventilation
Rated fan supply voltage	V	-	Fan with internal power supply	Fan with internal power supply
Fan air flow	m ³ /h	-	300	300
Fan noise level	dB(A)	-	70.3	70.3
Dimensions (HxWxD)	mm	385x268x252	385x268x252	385x268x252
Weight (approx.)	kg	14	15	15
Rated DC voltage for single-phase operation	V	280	-	-
Rated DC current for single-phase operation	A	87.5	-	-

Technical data

4.3 Unit data

Table 4- 27 Technical data for 3-ph. 400 VAC, 400 A to 850 A, 4Q devices

Article number 6RA8081-6DV62-...	..85-6DV62-...	..87-6DV62-...
Rated DC current	A	400	600	850
Rated armature input current ²⁾	A	332	498	706
Rated power	kW	168	252	357
Power loss at rated DC current (approx.)	W	1375	1844	2467
Rated field supply voltage ¹⁾	V	2-ph. 400 VAC (+15% / -20%)		
Rated field DC voltage ¹⁾	V	325	325	325
Rated field DC current	A	25	25	30
Type of cooling		Forced ventilation	Forced ventilation	Forced ventilation
Rated fan supply voltage	V	3-ph. 400 VAC (±15%) 50 Hz / clockwise phase sequence 3-ph. 460 VAC (±10%) 60 Hz / clockwise phase sequence With option L21: 1-ph. 230 VAC (±10%)		
Rated fan current	50 Hz A	0.27 ⁸⁾	0.27 ⁸⁾	0.27 ⁸⁾
	60 Hz	0.33	0.33	0.33
Rated fan current with option L21	50 Hz A	0.68	0.68	0.68
	60 Hz	0.95	0.95	0.95
Fan air flow	m ³ /h	600	600	600
Fan noise level	50 Hz dBA	70.3	70.3	70.3
	60 Hz	74.4	74.4	74.4
Dimensions (HxWxD)	mm	625x268x275	625x268x275	700x268x311
Weight (approx.)	kg	26	31	42

Table 4- 28 Technical data for 3-ph. 400 VAC, 1200 A, 4Q devices

Article number 6RA8091-6DV62-...
Rated DC current	A	1200
Rated armature input current ²⁾	A	996
Rated power	kW	504
Power loss at rated DC current (approx.)	W	4107
Rated field supply voltage ¹⁾	V	2-ph. 480 VAC (+10% / -20%)
Rated field DC voltage ¹⁾	V	390
Rated field DC current	A	40
Type of cooling		Forced ventilation

Article number 6RA8091-6DV62-...	
Rated fan supply voltage	V	3-ph. 400 VAC ($\pm 10\%$) 50 Hz / clockwise phase sequence 3-ph. 460 VAC ($\pm 10\%$) 60 Hz / clockwise phase sequence with option L21: 1-ph. 230 VAC ($\pm 10\%$)	
Rated fan current	50 Hz	A	0.38 ⁹⁾
	60 Hz		0.5 ⁹⁾
Rated fan current with option L21	50 Hz	A	1.16
	60 Hz		1.7
Fan air flow		m ³ /h	1000
Fan noise level	50 Hz	dBA	70.4
	60 Hz		74.2
Dimensions (HxWxD)		mm	785x268x435
Weight (approx.)		kg	78

Table 4- 29 Technical data for 3-ph. 400 VAC, 1600 A to 3000 A, 4Q devices

Article number 6RA8093-4DV62-...		..95-4DV62-...		..98-4DV62-...	
Rated DC current	A	1600	2000	3000			
Rated armature input current ²⁾	A	1328	1660	2490			
Rated power	kW	672	840	1260			
Power loss at rated DC current (approx.)	W	5678	6781	10640			
Rated field supply voltage ¹⁾	V	2-ph. 480 VAC (+10% / -20%)					
Rated field DC voltage ¹⁾	V	390	390	390			
Rated field DC current	A	40	40	40			
Type of cooling		Forced ventilation	Forced ventilation	Forced ventilation			
Rated fan supply voltage	V	3-ph. 400 VAC ($\pm 10\%$) 50 Hz / clockwise phase sequence 3-ph. 460 VAC ($\pm 10\%$) 60 Hz / clockwise phase sequence					
Rated fan current	50 Hz	A	0.95 ⁹⁾	0.95 ⁹⁾	0.95 ⁹⁾		
	60 Hz		1.25 ⁹⁾	1.25 ⁹⁾	1.25 ⁹⁾		
Fan air flow		m ³ /h	2400	2400	2400		
Fan noise level	50 Hz	dBA	80.8	80.8	80.8		
	60 Hz		83.2	83.2	83.2		
Dimensions (HxWxD)		mm	883x453x505	883x453x505	883x453x505		
Weight (approx.)		kg	155	155	185		

4.3 Unit data

3-ph. 480 VAC, 4Q devices			
6RA8013-6FV62-0AA0	6RA8018-6FV62-0AA0	6RA8025-6FV62-0AA0	6RA8028-6FV62-0AA0
6RA8031-6FV62-0AA0	6RA8075-6FV62-0AA0	6RA8078-6FV62-0AA0	
6RA8082-6FV62-0AA0	6RA8085-6FV62-0AA0	6RA8087-6FV62-0AA0	6RA8091-6FV62-0AA0

Table 4- 30 Technical data for 3-ph. 480 VAC, 4Q devices

Common data		
Rated armature supply voltage ¹⁾	V	3-ph. 480 VAC (+10% / -20%)
Rated field supply voltage ¹⁾	V	2-ph. 480 VAC (+10% / -20%)
Electronic power supply, rated supply voltage	V	2-ph. 380 (-25%) to 480 VAC (+10%); In = 1 A or 1-ph. 190 (-25%) to 240 VAC (+10%); In = 2 A (-35% for 1 min.) With option L05: 18 to 30 VDC; In = 5 A
Rated DC voltage ¹⁾	V	500
Rated field DC voltage ¹⁾	V	390
Rated frequency	Hz	45 to 65 ¹⁰⁾
Overload possibility ⁶⁾		Max. 1.8x rated DC current
Closed-loop control constancy		$\Delta n = 0.006\%$ of the rated motor speed during operation with incremental encoder and digital setpoint $\Delta n = 0.1\%$ of the rated motor speed during operation with analog tachometer or analog setpoint ⁵⁾
Degree of protection		IP00 acc. to DIN EN 60529
Protection class		Class I (with protective conductor system) and class III (PELV) according to EN 61800-5-1

Table 4- 31 Technical data for 3-ph. 480 VAC, 15 A to 90 A, 4Q devices

Article number 6RA8013-6FV62-...	..18-6FV62-...	..25-6FV62-...	..28-6FV62-...
Rated DC current	A	15	30	60	90
Rated armature input current ²⁾	A	12.5	24.9	49.8	74.7
Rated power	kW	6.3	15	30	45
Power loss at rated DC current (approx.)	W	131	190	299	343
Rated field DC current	A	3	5	10	10
Type of cooling		Self-ventilated	Self-ventilated	Self-ventilated	Self-ventilated
Dimensions (HxWxD)	mm	385x268x221	385x268x221	385x268x252	385x268x252
Weight (approx.)	kg	11	11	11	14

Article number 6RA8013-6FV62-...	..18-6FV62-...	..25-6FV62-...	..28-6FV62-...
Rated DC voltage for single-phase operation	V	335	335	335	335
Rated DC current for single-phase operation	A	10.5	21.0	42.0	63.0

Table 4- 32 Technical data for 3-ph. 480 VAC, 125 A to 280 A, 4Q devices

Article number 6RA8031-6FV62-...	..75-6FV62-...	..78-6FV62-...
Rated DC current	A	125	210	280
Rated armature input current ²⁾	A	104	174	232
Rated power	kW	62.5	105	140
Power loss at rated DC current (approx.)	W	431	720	811
Rated field DC current	A	10	15	15
Type of cooling		Self-ventilated	Forced ventilation	Forced ventilation
Rated fan supply voltage	V	-	Fan with internal power supply	Fan with internal power supply
Fan air flow	m ³ /h	-	300	300
Fan noise level	dBA	-	70.3	70.3
Dimensions (HxWxD)	mm	385x268x252	385x268x252	385x268x252
Weight (approx.)	kg	14	15	15
Rated DC voltage for single-phase operation	V	335	-	-
Rated DC current for single-phase operation	A	87.5	-	-

Table 4- 33 Technical data for 3-ph. 480 VAC, 450 A to 1200 A, 4Q devices

Article number 6RA8082-6FV62-...	..85-6FV62-...	..87-6FV62-...	..91-6FV62-...
Rated DC current	A	450	600	850	1200
Rated armature input current ²⁾	A	374	498	706	996
Rated power	kW	225	300	425	600
Power loss at rated DC current (approx.)	W	1583	1909	2597	4237
Rated field DC current	A	25	25	30	40
Type of cooling		Forced ventilation	Forced ventilation	Forced ventilation	Forced ventilation
Rated fan supply voltage	50 Hz V	3-ph. 400 VAC (±15%) clockwise phase sequence	3-ph. 400 VAC (±15%) clockwise phase sequence	3-ph. 400 VAC (±15%) clockwise phase sequence	3-ph. 400 VAC (±10%) clockwise phase sequence

Technical data

4.3 Unit data

Article number 6RA8082-6FV62-...	..85-6FV62-...	..87-6FV62-...	..91-6FV62-...
	60 Hz	V	3-ph. 460 VAC (±10%) clockwise phase sequence	3-ph. 460 VAC (±10%) clockwise phase sequence	3-ph. 460 VAC (±10%) clockwise phase sequence	3-ph. 460 VAC (±10%) clockwise phase sequence
		V	With option L21: 1-ph. 230 VAC (±10%)			
Rated fan current	50 Hz	A	0.27	0.27	0.27	0.38
	60 Hz		0.33	0.33	0.33	0.5
Rated fan current with option L21	50 Hz	A	0.68	0.68	0.68	1.16
	60 Hz		0.95	0.95	0.95	1.7
Fan air flow		m ³ /h	600	600	600	1000
Fan noise level	50 Hz	dBA	70.3	70.3	70.3	70.4
	60 Hz		74.4	74.4	74.4	74.2
Dimensions (HxWxD)		mm	625x268x275	625x268x275	700x268x311	785x268x435
Weight (approx.)		kg	31	31	42	78

3-ph. 575 VAC, 4Q devices

<i>6RA8025-6GV62-0AA0</i>	<i>6RA8031-6GV62-0AA0</i>	<i>6RA8075-6GV62-0AA0</i>	
<i>6RA8081-6GV62-0AA0</i>	<i>6RA8085-6GV62-0AA0</i>	<i>6RA8087-6GV62-0AA0</i>	<i>6RA8090-6GV62-0AA0</i>
<i>6RA8093-4GV62-0AA0</i>	<i>6RA8095-4GV62-0AA0</i>	<i>6RA8096-4GV62-0AA0</i>	<i>6RA8097-4GV62-0AA0</i>

Table 4- 34 Technical data for 3-ph. 575 VAC, 4Q devices

Common data		
Rated armature supply voltage ¹⁾	V	3-ph. 575 VAC (+10% / -20%)
Rated field supply voltage ¹⁾	V	2-ph. 480 VAC (+10% / -20%)
Electronic power supply, rated supply voltage	V	2-ph. 380 (-25%) to 480 VAC (+10%); I _n = 1 A or 1-ph. 190 (-25%) to 240 VAC (+10%); I _n = 2 A (-35% for 1 min.) With option L05: 18 to 30 VDC; I _n = 5 A
Rated DC voltage ¹⁾	V	600
Rated field DC voltage ¹⁾	V	390
Rated frequency	Hz	45 to 65 ¹⁰⁾
Overload possibility ⁶⁾		Max. 1.8x rated DC current
Closed-loop control constancy		Δn = 0.006% of the rated motor speed during operation with incremental encoder and digital setpoint Δn = 0.1% of the rated motor speed during operation with analog tachometer or analog setpoint ⁵⁾
Degree of protection		IP00 acc. to DIN EN 60529
Protection class		Class I (with protective conductor system) and class III (PELV) according to EN 61800-5-1

Table 4- 35 Technical data for 3-ph. 575 VAC, 60 A to 210 A, 4Q devices

Article number 6RA8025-6GV62-...	..31-6GV62-...	..75-6GV62-...
Rated DC current	A	60	125	210
Rated armature input current ²⁾	A	49.8	104	174
Rated power	kW	35	75	126
Power loss at rated DC current (approx.)	W	274	463	742
Rated field DC current	A	10	10	15
Type of cooling		Self-ventilated	Self-ventilated	Forced ventilation
Rated fan supply voltage	V	-	-	Fan with internal power supply
Fan air flow	m ³ /h	-	-	300
Fan noise level	dBA	-	-	70.3
Dimensions (HxWxD)	mm	385x268x252	385x268x252	385x268x252
Weight (approx.)	kg	11	14	15
Rated DC voltage for single-phase operation	V	400	400	-
Rated DC current for single-phase operation	A	42.0	87.5	-

Table 4- 36 Technical data for 3-ph. 575 VAC, 400 A to 1100 A, 4Q devices

Article number 6RA8081-6GV62-...	..85-6GV62-...	..87-6GV62-...	..90-6GV62-...	
Rated DC current	A	400	600	850	1100	
Rated armature input current ²⁾	A	332	498	706	913	
Rated power	kW	240	360	510	660	
Power loss at rated DC current (approx.)	W	1598	2002	2826	4022	
Rated field DC current	A	25	25	30	40	
Type of cooling		Forced ventilation	Forced ventilation	Forced ventilation	Forced ventilation	
Rated fan supply voltage	50 Hz	V	3-ph. 400 VAC (±15%) clockwise phase sequence	3-ph. 400 VAC (±15%) clockwise phase sequence	3-ph. 400 VAC (±15%) clockwise phase sequence	3-ph. 400 VAC (±10%) clockwise phase sequence
	60 Hz	V	3-ph. 460 VAC (±10%) clockwise phase sequence	3-ph. 460 VAC (±10%) clockwise phase sequence	3-ph. 460 VAC (±10%) clockwise phase sequence	3-ph. 460 VAC (±10%) clockwise phase sequence
		V	With option L21: 1-ph. 230 VAC (±10%)			
Rated fan current	50 Hz	A	0.27 ⁸⁾	0.27 ⁸⁾	0.27 ⁸⁾	0.38 ⁹⁾
	60 Hz		0.33	0.33	0.33	0.5
Rated fan current with option L21	50 Hz	A	0.68	0.68	0.68	1.16
	60 Hz		0.95	0.95	0.95	1.7

Technical data

4.3 Unit data

Article number 6RA8081-6GV62-...	..85-6GV62-...	..87-6GV62-...	..90-6GV62-...	
Fan air flow	m ³ /h	600	600	600	1000	
Fan noise level	50 Hz	dBA	70.3	70.3	70.3	70.4
	60 Hz		74.4	74.4	74.4	74.2
Dimensions (HxWxD)	mm	625x268x275	625x268x275	700x268x311	785x268x435	
Weight (approx.)	kg	26	31	42	78	

Table 4- 37 Technical data for 3-ph. 575 VAC, 1600 A to 2800 A, 4Q devices

Article number 6RA8093-4GV62-...	..95-4GV62-...	..96-4GV62-...	..97-4GV62-...	
Rated DC current	A	1600	2000	2200	2800	
Rated armature input current ²⁾	A	1328	1660	1826	2324	
Rated power	kW	960	1200	1320	1680	
Power loss at rated DC current (approx.)	W	6036	7073	7391	10530	
Rated field DC current	A	40	40	40	40	
Type of cooling		Forced ventila- tion	Forced ventila- tion	Forced ventila- tion	Forced ventila- tion	
Rated fan supply voltage	V	3-ph. 400 VAC (±10%) 50 Hz / clockwise phase sequence 3-ph. 460 VAC (±10%) 60 Hz / clockwise phase sequence				
Rated fan current	50 Hz	A	0.95 ⁹⁾	0.95 ⁹⁾	0.95 ⁹⁾	0.95 ⁹⁾
	60 Hz		1.25	1.25	1.25	1.25
Fan air flow	m ³ /h	2400	2400	2400	2400	
Fan noise level	50 Hz	dBA	80.3	80.3	80.3	80.3
	60 Hz		83.2	83.2	83.2	83.2
Dimensions (HxWxD)	mm	883x453x505	883x453x505	883x453x505	883x453x505	
Weight (approx.)	kg	155	155	185	185	

3-ph. 690 VAC, 4Q devices

6RA8086-6KV62-0AA0
6RA8093-4KV62-0AA0

6RA8090-6KV62-0AA0
6RA8095-4KV62-0AA0

6RA8097-4KV62-0AA0

Table 4- 38 Technical data for 3-ph. 690 VAC, 4Q devices

Common data	
Rated armature supply voltage ¹⁾	V 3-ph. 690 VAC (+10% / -20%)
Rated field supply voltage ¹⁾	V 2-ph. 480 VAC (+10% / -20%)
Electronic power supply, rated supply voltage	V 2-ph. 380 (-25%) to 480 VAC (+10%); In = 1 A or 1-ph. 190 (-25%) to 240 VAC (+10%); In = 2 A (-35% for 1 min.) With option L05: 18 to 30 VDC; In = 5 A

Common data	
Rated DC voltage ¹⁾	V 725
Rated field DC voltage ¹⁾	V 390
Rated frequency	Hz 45 to 65 ¹⁰⁾
Overload possibility ⁶⁾	Max. 1.8x rated DC current
Closed-loop control constancy	$\Delta n = 0.006\%$ of the rated motor speed during operation with incremental encoder and digital setpoint $\Delta n = 0.1\%$ of the rated motor speed during operation with analog tachometer or analog setpoint ⁵⁾
Degree of protection	IP00 acc. to DIN EN 60529
Protection class	Class I (with protective conductor system) and class III (PELV) according to EN 61800-5-1

Table 4- 39 Technical data for 3-ph. 690 VAC, 760 A to 1000 A, 4Q devices

Article number 6RA8086-6KV62-...	..90-6KV62-...
Rated DC current	A	760	1000
Rated armature input current ²⁾	A	631	830
Rated power	kW	551	725
Power loss at rated DC current (approx.)	W	2897	3963
Rated field DC current	A	30	40
Type of cooling		Forced ventilation	Forced ventilation
Rated fan supply voltage	V	3-ph. 400 VAC ($\pm 15\%$) 50 Hz / clockwise phase sequence 3-ph. 460 VAC ($\pm 10\%$) 60 Hz / clockwise phase sequence With option L21: 1-ph. 230 VAC ($\pm 10\%$)	3-ph. 400 VAC ($\pm 10\%$) 50 Hz / clockwise phase sequence 3-ph. 460 VAC ($\pm 10\%$) 60 Hz / clockwise phase sequence With option L21: 1-ph. 230 VAC ($\pm 10\%$)
Rated fan current	50 Hz A	0.27 ⁸⁾	0.38 ⁹⁾
	60 Hz	0.33	0.5
Rated fan current with option L21	50 Hz A	0.38	1.16
	60 Hz	0.5	1.7
Fan air flow	m ³ /h	600	1000
Fan noise level	50 Hz dBA	70.3	70.4
	60 Hz	74.4	74.2
Dimensions (HxWxD)	mm	700x268x311	785x268x435
Weight (approx.)	kg	42	78

Technical data

4.3 Unit data

Table 4- 40 Technical data for 3-ph. 690 VAC, 1500 A to 2600 A, 4Q devices

Article number 6RA8093-4KV62-...	..95-4KV62-...	..97-4KV62-...
Rated DC current	A	1500	2000	2600
Rated armature input current ²⁾	A	1245	1660	2158
Rated power	kW	1088	1450	1885
Power loss at rated DC current (approx.)	W	6675	8158	10300
Rated field DC current	A	40	40	40
Type of cooling		Forced ventilation	Forced ventilation	Forced ventilation
Rated fan supply voltage	V	3-ph. 400 VAC (±10%) 50 Hz / clockwise phase sequence 3-ph. 460 VAC (±10%) 60 Hz / clockwise phase sequence		
Rated fan current	50 Hz 60 Hz	A	0.95 ⁹⁾ 1.25	0.95 ⁹⁾ 1.25
Fan air flow	m ³ /h		2400	2400
Fan noise level	50 Hz 60 Hz	dBA	80.8 83.2	80.8 83.2
Dimensions (HxWxD)	mm		883x453x505	883x453x505
Weight (approx.)	kg		155	185

3-ph. 830 VAC, 4Q devices

6RA8088-6LV62-0AA0

6RA8093-4LV62-0AA0

6RA8095-4LV62-0AA0

Table 4- 41 Technical data for 3-ph. 830 VAC, 4Q devices

Common data	
Rated armature supply voltage ¹⁾	V 3-ph. 830 VAC (+10% / -20%)
Rated field supply voltage ¹⁾	V 2-ph. 480 VAC (+10% / -20%)
Electronic power supply, rated supply voltage	V 2-ph. 380 (-25%) to 480 VAC (+10%); I _n = 1 A or 1-ph. 190 (-25%) to 240 VAC (+10%); I _n = 2 A (-35% for 1 min.) With option L05: 18 to 30 VDC; I _n = 5 A
Rated DC voltage ¹⁾	V 875
Rated field DC voltage ¹⁾	V 390
Rated frequency	Hz 45 to 65 ¹⁰⁾
Overload possibility ⁶⁾	Max. 1.8x rated DC current
Closed-loop control constancy	Δn = 0.006% of the rated motor speed during operation with incremental encoder and digital setpoint Δn = 0.1% of the rated motor speed during operation with analog tachometer or analog setpoint ⁵⁾

Common data	
Degree of protection	IP00 acc. to DIN EN 60529
Protection class	Class I (with protective conductor system) and class III (PELV) according to EN 61800-5-1

Table 4- 42 Technical data for 3-ph. 830 VAC, 950 A to 1900 A, 4Q devices

Article number 6RA8088-6LV62-...	..93-4LV62-...	..95-4LV62-...
Rated DC current	A		950	1500	1900
Rated armature input current ²⁾	A		789	1245	1577
Rated power	kW		831	1313	1663
Power loss at rated DC current (approx.)	W		4221	7122	8669
Rated field DC current	A		40	40	40
Type of cooling			Forced ventilation	Forced ventilation	Forced ventilation
Rated fan supply voltage	50 Hz 60 Hz	V	3-ph. 400 VAC (±10%) / clockwise phase sequence 3-ph. 460 VAC (±10%) / clockwise phase sequence	3-ph. 400 VAC (±10%) / clockwise phase sequence 3-ph. 460 VAC (±10%) / clockwise phase sequence	
			With option L21: 1-ph. 230 VAC (±10%)		-
Rated fan current	50 Hz 60 Hz	A	0.38 ⁹⁾ 0.5	0.95 ⁹⁾ 1.25	0.95 ⁹⁾ 1.25
Rated fan current with option L21	50 Hz 60 Hz	A	1.16 1.7	-	-
Fan air flow	m ³ /h		1000	2400	2400
Fan noise level	50 Hz 60 Hz	dBA	70.4 74.2	80.8 83.2	80.8 83.2
Dimensions (HxWxD)	mm		785x268x435	883x453x505	883x453x505
Weight (approx.)	kg		78	155	155

3-ph. 950 VAC, 2Q and 4Q devices

6RA8096-4MS22-0AA0

6RA8096-4MV62-0AA0

Table 4- 43 Technical data for 3-ph. 950 VAC, 2Q and 4Q devices

Common data	
Rated armature supply voltage ¹⁾	V 3-ph. 950 VAC (+15% / -20%)
Rated field supply voltage ¹⁾	V 2-ph. 480 VAC (+10% / -20%)

Technical data

4.3 Unit data

Common data		
Electronic power supply, rated supply voltage	V	2-ph. 380 (-25%) to 480 VAC (+10%); In = 1 A or 1-ph. 190 (-25%) to 240 VAC (+10%); In = 2 A (-35% for 1 min.) With option L05: 18 to 30 VDC; In = 5 A
Rated field DC voltage ¹⁾	V	390
Rated frequency	Hz	45 to 65 ¹⁰⁾
Overload possibility ⁶⁾		Max. 1.8x rated DC current
Closed-loop control constancy		$\Delta n = 0.006\%$ of the rated motor speed during operation with incremental encoder and digital setpoint $\Delta n = 0.1\%$ of the rated motor speed during operation with analog tachometer or analog setpoint ⁵⁾
Degree of protection		IP00 acc. to DIN EN 60529
Protection class		Class I (with protective conductor system) and class III (PELV) according to EN 61800-5-1

Table 4- 44 Technical data for 3-ph. 950 VAC, 2200 A, 2Q and 4Q devices

Article number 6RA8096-4MS22-...	..96-4MV62-...
Rated DC current	A	2200	2200
Rated DC voltage ¹⁾	V	1140	1000
Rated armature input current ²⁾	A	1826	1826
Rated power	kW	2508	2200
Power loss at rated DC current (approx.)	W	11340	11340
Rated field DC current	A	40	40
Type of cooling		Forced ventilation	Forced ventilation
Rated fan supply voltage	V	3-ph. 400 VAC ($\pm 10\%$) 50 Hz / clockwise phase sequence 3-ph. 460 VAC ($\pm 10\%$) 60 Hz / clockwise phase sequence	3-ph. 400 VAC ($\pm 10\%$) 50 Hz / clockwise phase sequence 3-ph. 460 VAC ($\pm 10\%$) 60 Hz / clockwise phase sequence
Rated fan current	50 Hz 60 Hz	A	0.95 ⁹⁾ 1.25
Fan air flow	m ³ /h		2400
Fan noise level	50 Hz 60 Hz	dBA	80.8 83.2
Dimensions (HxWxD)	mm		883x453x505
Weight (approx.)	kg		165

Footnotes:

- 1) The supply voltage for the armature/field can lie below the rated armature/field voltage (set in p50078):
Permissible input voltage:
≥50 V for devices with rated voltage 400 V, 480 V and 575 V
≥100 V for units with rated voltage 690 V, 830 V and 950 V
The output voltage is reduced accordingly.
The specified output DC voltage can be ensured for an undervoltage up to 95 % of the line voltage (rated supply voltage of the armature/field).
Note:
Option L04 is available for armature infeed with extra-low voltage (ordering data for options, see Chapter 2)
- 2) Values apply to rated DC output current
- 5) Conditions:
The closed-loop control (closed-loop PI control) constancy is related to the rated motor speed and applies when the SINAMICS DC MASTER is at the operating temperature. This is subject to the following preconditions:
 - Temperature changes of ±10 °K
Changes to the line voltage of +10% / – 5% of the rated input voltage
 - Temperature coefficient of tachometer generator with temperature compensation: 0.15‰ every 10 °K (with analog tachometer generator only)
 - Constant setpoint (14-bit resolution)
- 6) For dynamic overload capability, see also Chapter 10
- 8) 9) see also Chapter "Installation notes for design according to UL 508C"
- 10) The option of operating in an extended frequency range can be provided on request.

4.4 Derating

Depending on the ambient temperature and the installation altitude, a derating is required for the maximum permissible load of the SINAMICS DC MASTER.

The derating factor can be taken from the following tables and should be set at p50077. Intermediate values can be obtained through linear interpolation.

Note

Units with option L15 and use of the SINAMICS DCM in a SINAMICS DCM Cabinet drive cabinet with option L99

In these cases, p50077 should be set according to Chapter "Sensor for the ambient and/or air intake temperature (Page 556)".

Table 4- 45 Derating factor for units up to 125 A (with natural air cooling, cooling type AN)

Installation altitude above sea level	Ambient or coolant temperature					
	30° C	35° C	40° C	45° C	50° C	55° C
1000 m	1.00	1.00	1.00	1.00	0.94	0.88
2000 m	1.00	1.00	0.94	0.88	0.82	x
3000 m	0.96	0.90	0.84	x	x	x
4000 m	0.86	0.80	x	x	x	x
5000 m	0.78	x	x	x	x	x

x ... SINAMICS DCM operation not possible

Table 4- 46 Derating factor for units from 210 A (with forced air cooling, cooling type AF)

Installation altitude above sea level	Ambient or coolant temperature					
	30° C	35° C	40° C	45° C	50° C	55° C
1000 m	1.00	1.00	1.00	0.95	0.90	x
2000 m	0.98	0.93	0.88	0.83	0.78	x
3000 m	0.88	0.83	0.78	x	x	x
4000 m	0.78	0.73	x	x	x	x
5000 m	0.70	x	x	x	x	x

x ... SINAMICS DCM operation not possible

Voltage derating depending on the installation altitude

The series of SINAMICS DCM units fulfill overvoltage category III according to EN 61800-5-1 for line supply circuits with respect to the environment (other line supply circuits, housing, electronics).

For electronics and field supplies with voltages of 2-ph. 480 VAC (line-to-line; maximum 300 VAC to ground), operation is permitted up to 4500 m above sea level. A maximum of 2-ph. 400 VAC (line-to-line; maximum 230 VAC to ground) is permitted up to 5000 m.

All units, with 400 V up to 575 V as well as also with 690 V to 950 V rated armature supply voltage, can be operated up to a maximum of 4000 m above sea level without voltage derating.

For units with rated armature supply voltages of 690 V to 950 V, up to 4500 m a maximum 930 VAC and up to 5000 m, a maximum 880 VAC is permissible as armature supply voltage.

For units with rated armature supply voltages of 400 V to 575 V, up to 4500 m a maximum 550 VAC and up to 5000 m, a maximum 500 VAC is permissible as armature supply voltage.

If the specified voltages with respect to ground are exceeded or the installation altitude is exceeded, then a reduction of the overvoltage category to II must be applied. As a consequence, operation up to 6000 m without derating is permissible.

The overvoltage category of the line supply can be reduced to II using an appropriate surge arrester, filter or isolation transformer. If this is not realized, then there is no longer safe electrical separation of the electronics (interface connections on the CUD) with respect to the line supply.

According to EN61800-5-1, operation of units without "safe electrical separation" is only permissible if it can be absolutely excluded that persons are in danger by being able to directly touch or indirectly touch parts, i.e. in operation, none of the CUD interfaces can be touched. A digital connection can be realized using an optical isolation.

Transportation, unpacking, installation

5.1 Transportation, unpacking

The SINAMICS DC MASTER is packaged at the manufacturer's site in accordance with the order specification. A product packaging label is located on the carton.

Avoid heavy vibrations and severe shocks during transportation, e.g. when lowering the unit into position.

Follow the instructions on the packaging concerning transportation, storage, and proper handling.

The SINAMICS DC MASTER can be installed once it has been unpacked, and you have checked that the delivery is complete and the unit is intact.

The packaging materials consist of the carton and corrugated cardboard, and can be disposed of in accordance with local regulations for cardboard packaging.

If you discover any damage that has occurred in transit, please inform your shipping agent immediately.

5.2 Installation

<p>⚠ CAUTION</p> <p>Failure to lift the unit properly can lead to physical injury or material damage.</p> <p>The unit should only be lifted with suitable equipment (work gloves should be used) and by appropriately qualified personnel.</p> <p>In order to prevent the enclosure from becoming deformed when lifting units with a rated DC current above 720 A, no horizontal forces may be exerted on the lifting eyes.</p> <p>The user assumes responsibility for installing the converter unit, motor, transformer, and other units in accordance with safety regulations (e.g. EN, DIN, VDE) and all other relevant national or local regulations affecting conductor dimensioning, protection, grounding, disconnectors, overcurrent protection, and so on.</p> <p>The unit must be installed in accordance with safety regulations (e.g. EN, DIN, or VDE) as well as all other applicable national or local regulations. Grounding, conductor dimensioning, and the relevant short-circuit protection work must be carried out correctly in order to ensure operational safety.</p>

Options for lifting units with a 1500 to 3000 A rated DC current

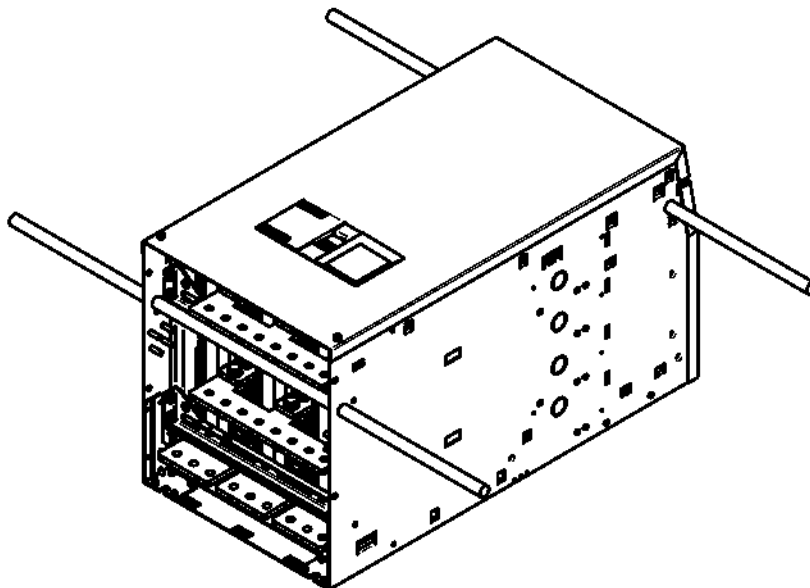
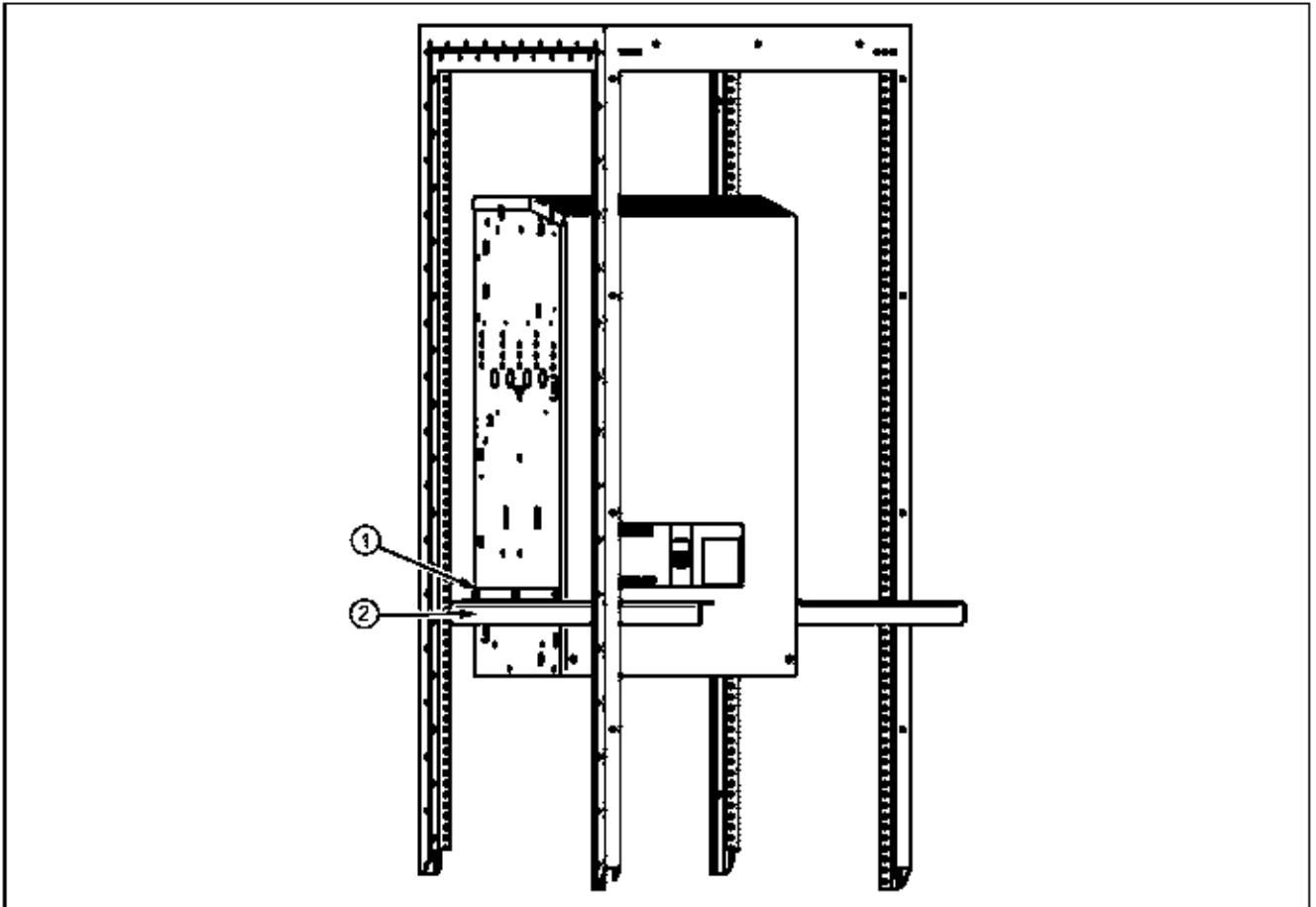


Figure 5-1 Options for lifting units with 1500 - 3000 A currents

UL 508 C-compliant cabinet installation for a SINAMICS DC MASTER

- If this unit is to be installed in a cabinet, the cabinet must be sufficiently ventilated and of "type 1" in accordance with standard UL 508 C.
- To install a unit, the minimum dimensions of the cabinet must be 2,200 mm x 600 mm x 600 mm (H x W x D).

Cabinet installation for units with a 1500 to 3000 A rated DC current



- The scope of delivery for these units includes 2 brackets ① that can be attached to the SINAMICS DC MASTER using 3 M8 hexagon bolts (also supplied) to facilitate installation.
- In this way, the unit can be pushed onto 2 additional brackets ② (not supplied) in the control cabinet.
- The units then have to be fixed to the rear cabinet wall using 4 attachments.
- Removing brackets ① and ②

Figure 5-2 Cabinet installation

 **WARNING**

To ensure that cooling air can flow in and out uninhibited, there must be a clearance of 100 m both above and below the unit.

Otherwise, the unit will run the risk of overheating.

5.2.1 Dimension drawings

All dimensions in mm
 tolerance of the outer dimensions, +2 mm,
 tolerance of the distances of the busbar holes for customer connections, ± 1.5 mm

15 to 30 A, 4Q units

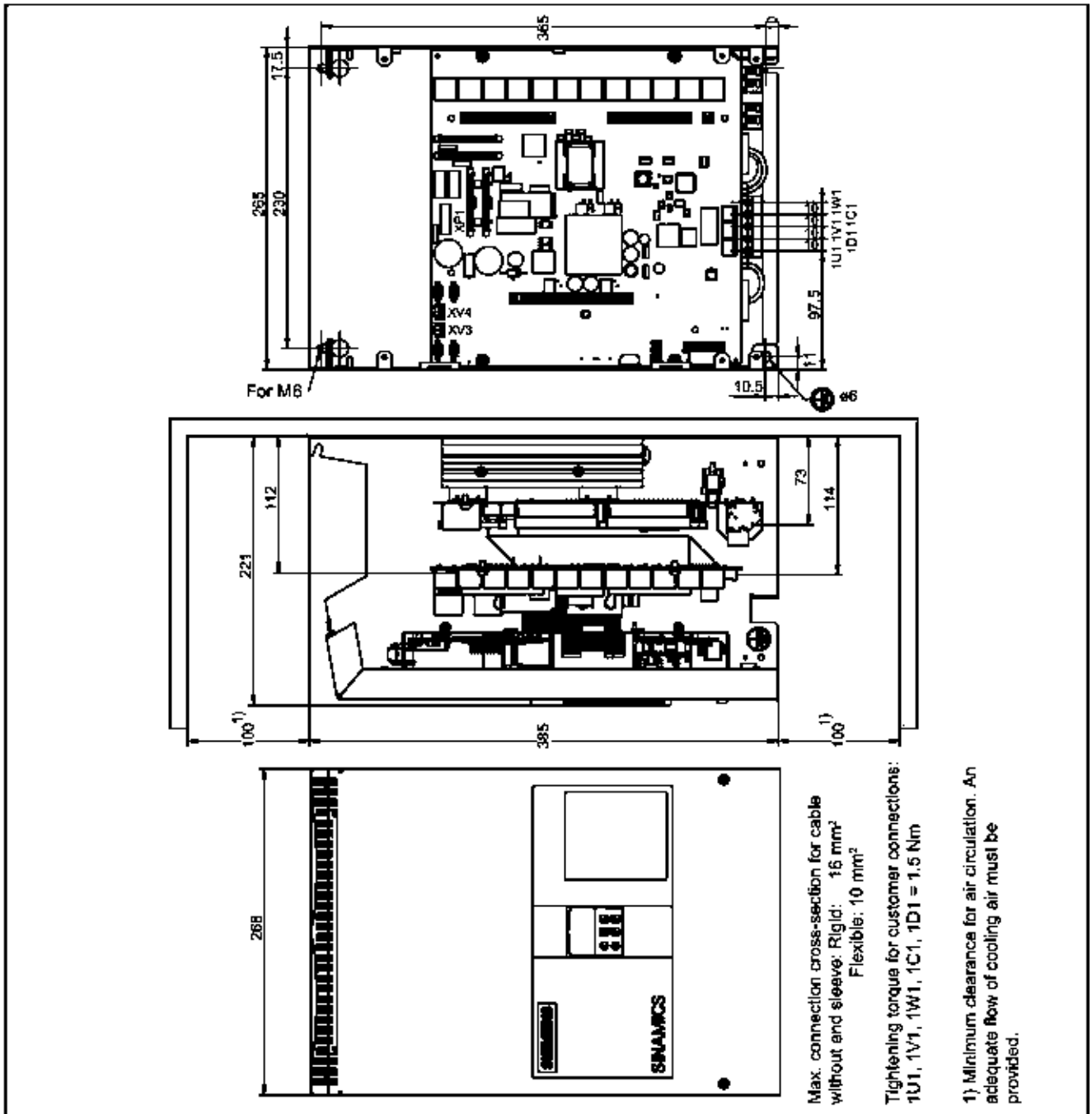


Figure 5-3 Dimension drawing, 15 A to 30 A, 4Q

5.2 Installation

60 to 280 A, 2Q units

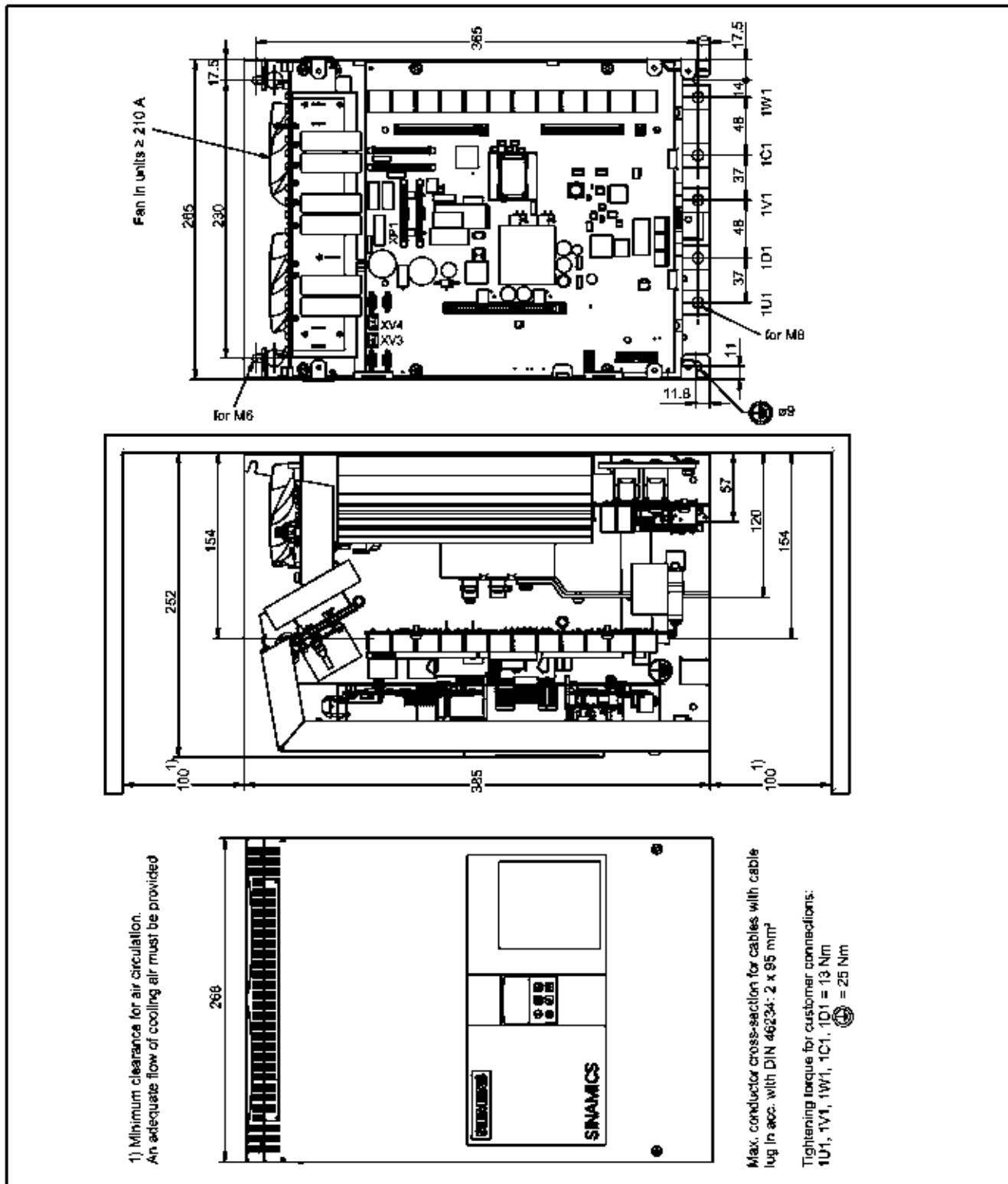


Figure 5-4 Dimension drawing, 60 A to 280 A, 2Q

60 to 280 A, 4Q units

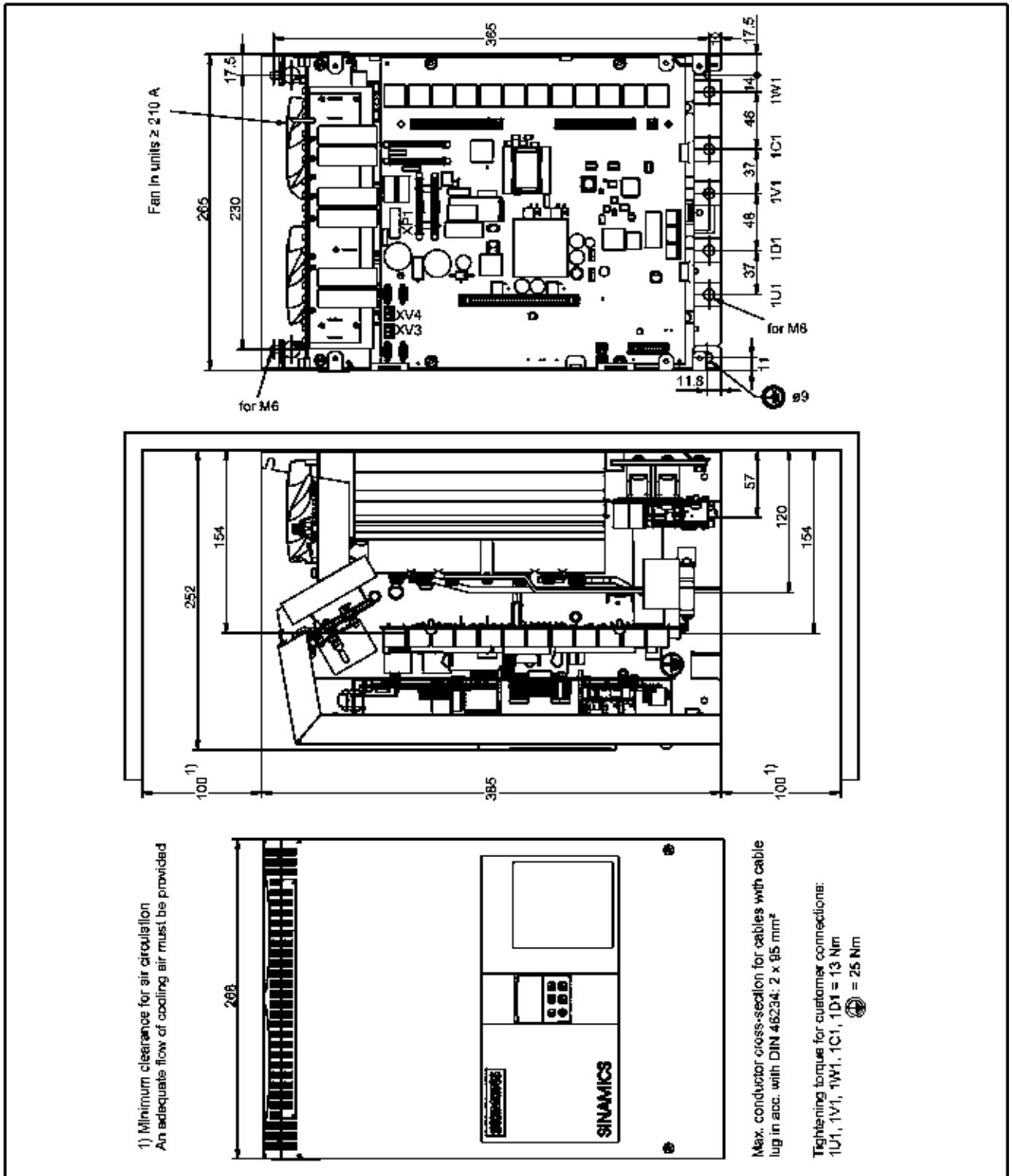


Figure 5-5 Dimension drawing 60 A to 280 A, 4Q

5.2 Installation

400 to 600 A, 2Q units

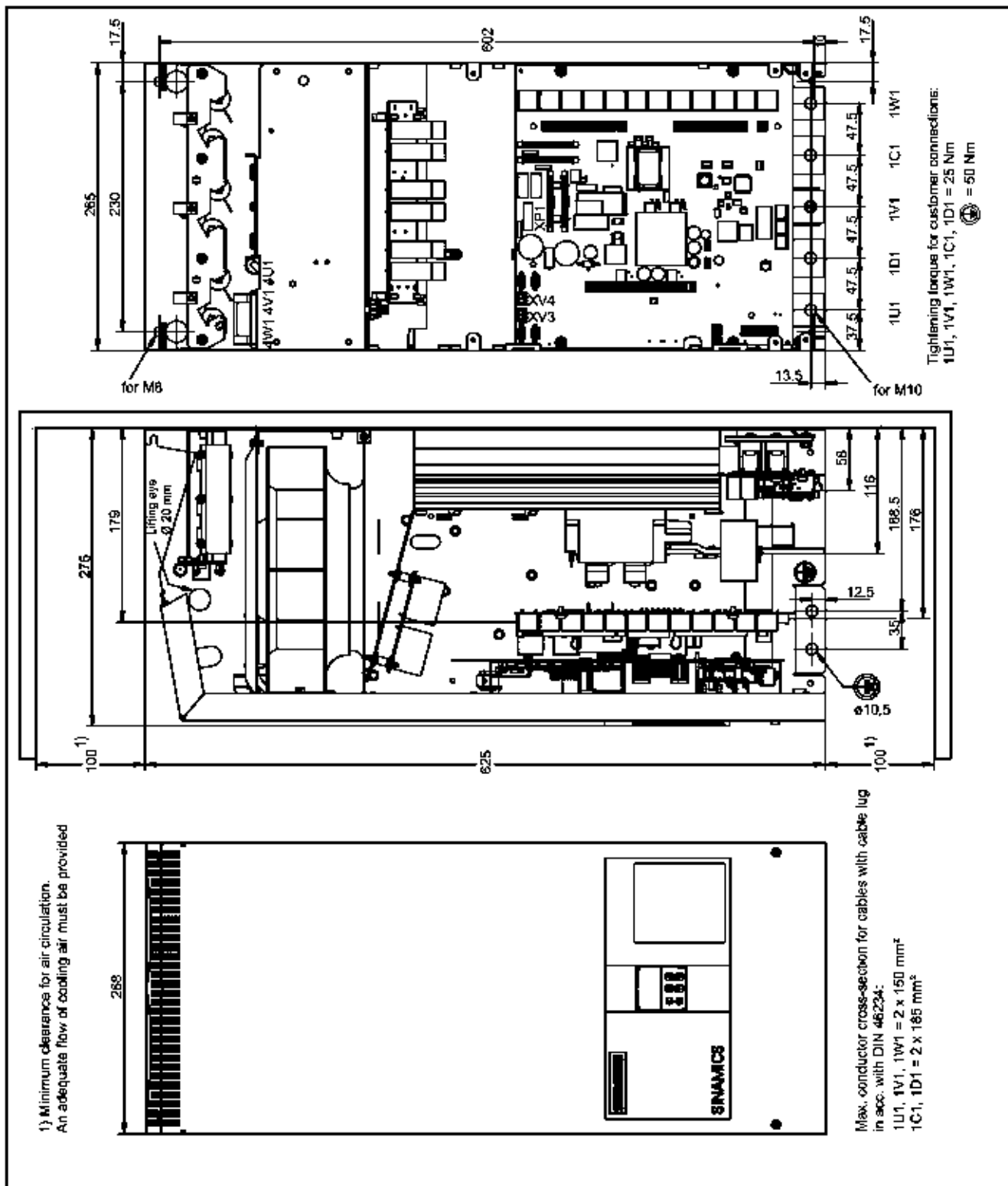


Figure 5-6 Dimension drawing: 400 to 600 A, 2Q

400 to 600 A, 4Q units

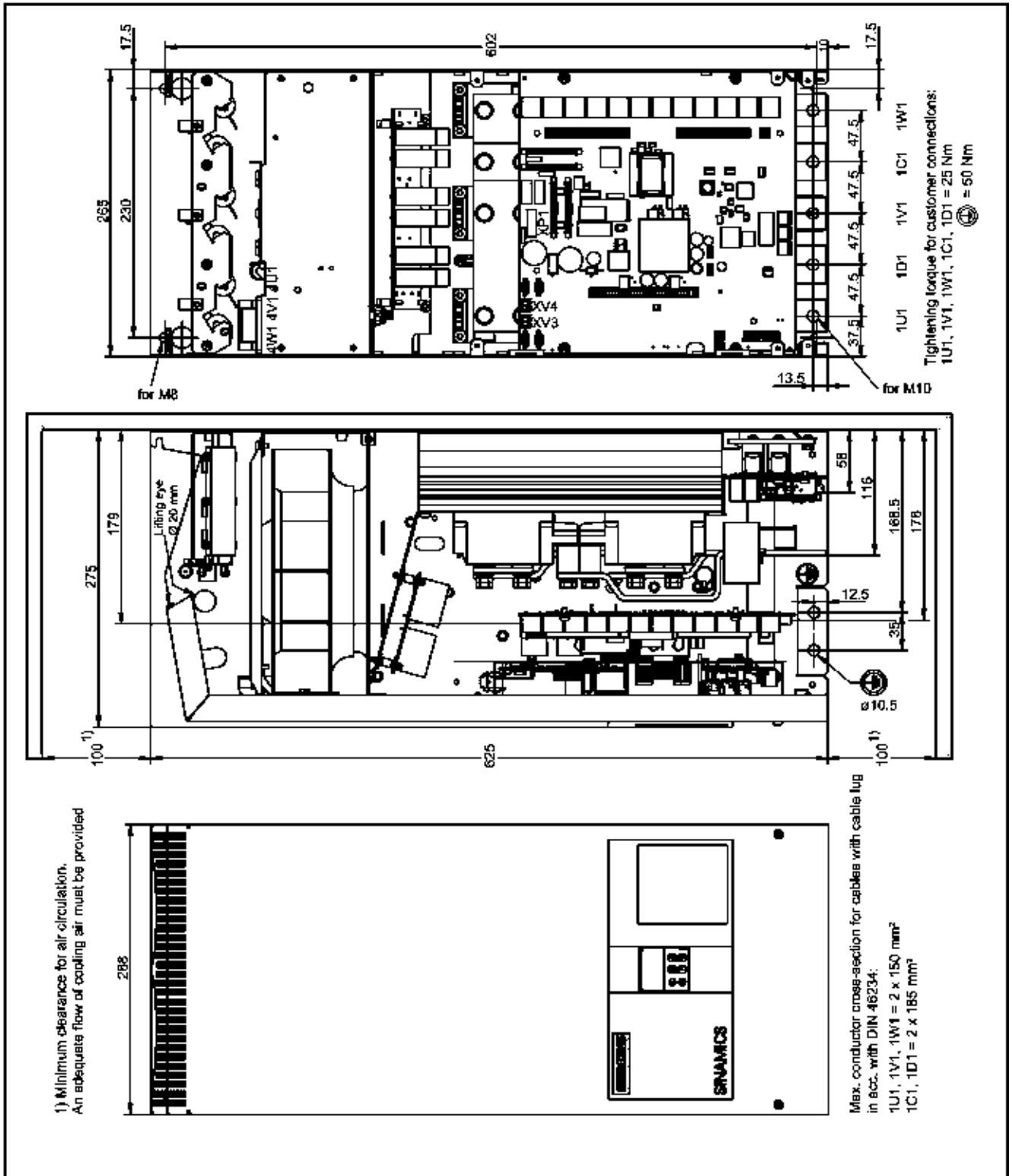


Figure 5-7 Dimension drawing, 400 A to 600 A, 4Q

5.2 Installation

720 to 850 A, 2Q units

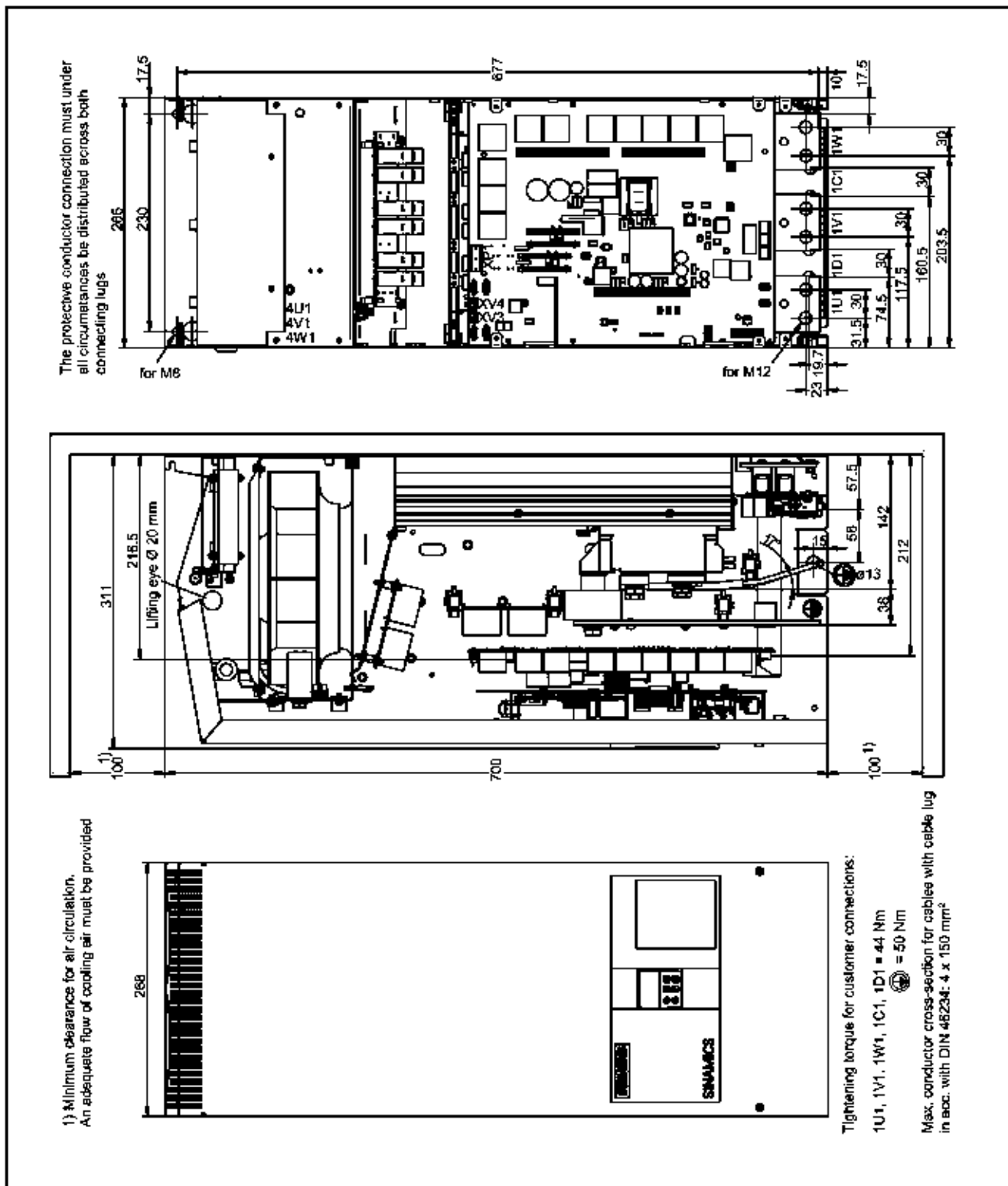


Figure 5-8 Dimension drawing: 720 to 850 A, 2Q

760 to 850 A, 4Q units

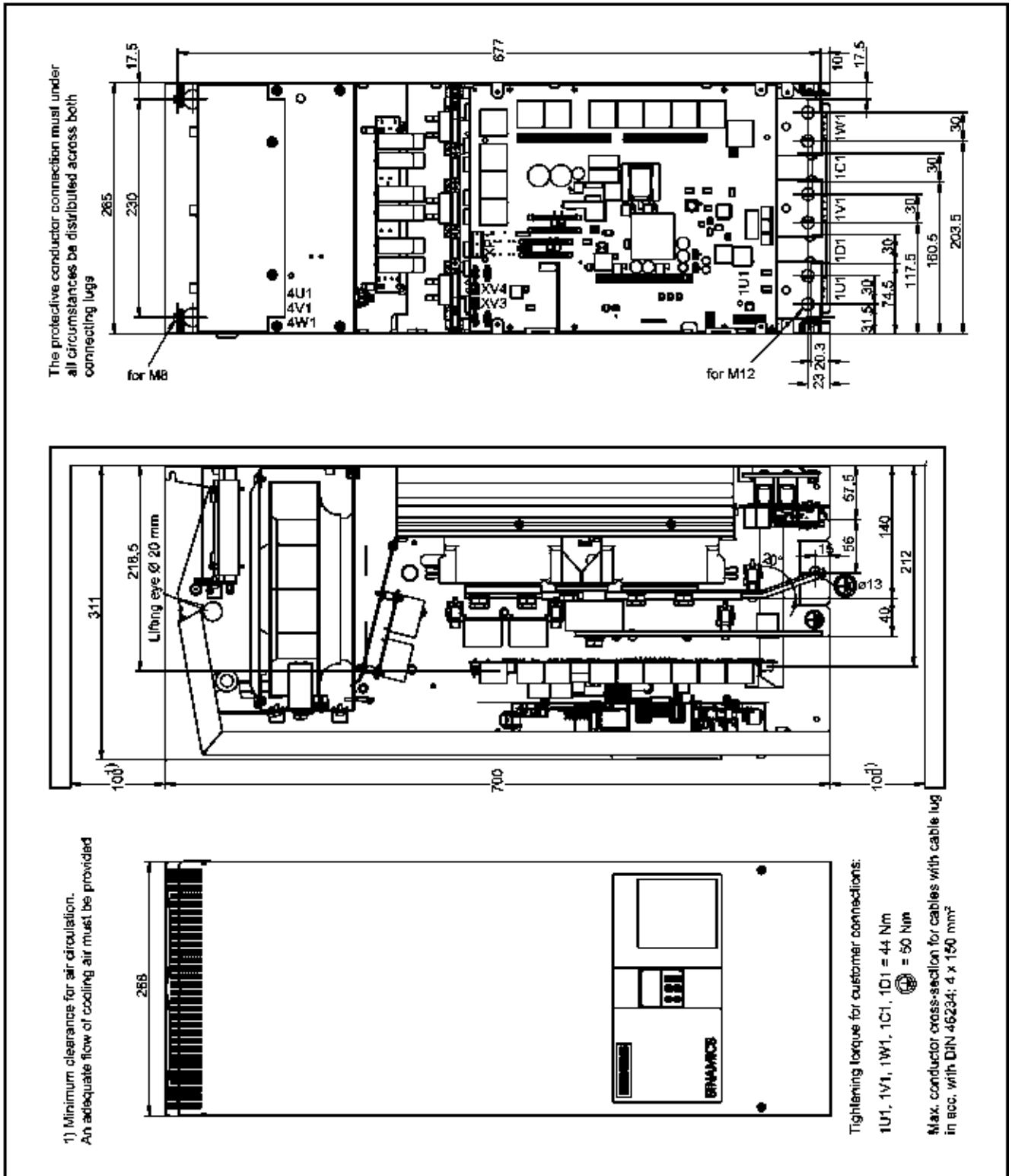


Figure 5-9 Dimension drawing: 760 to 850 A, 4Q

1500 to 3000 A units

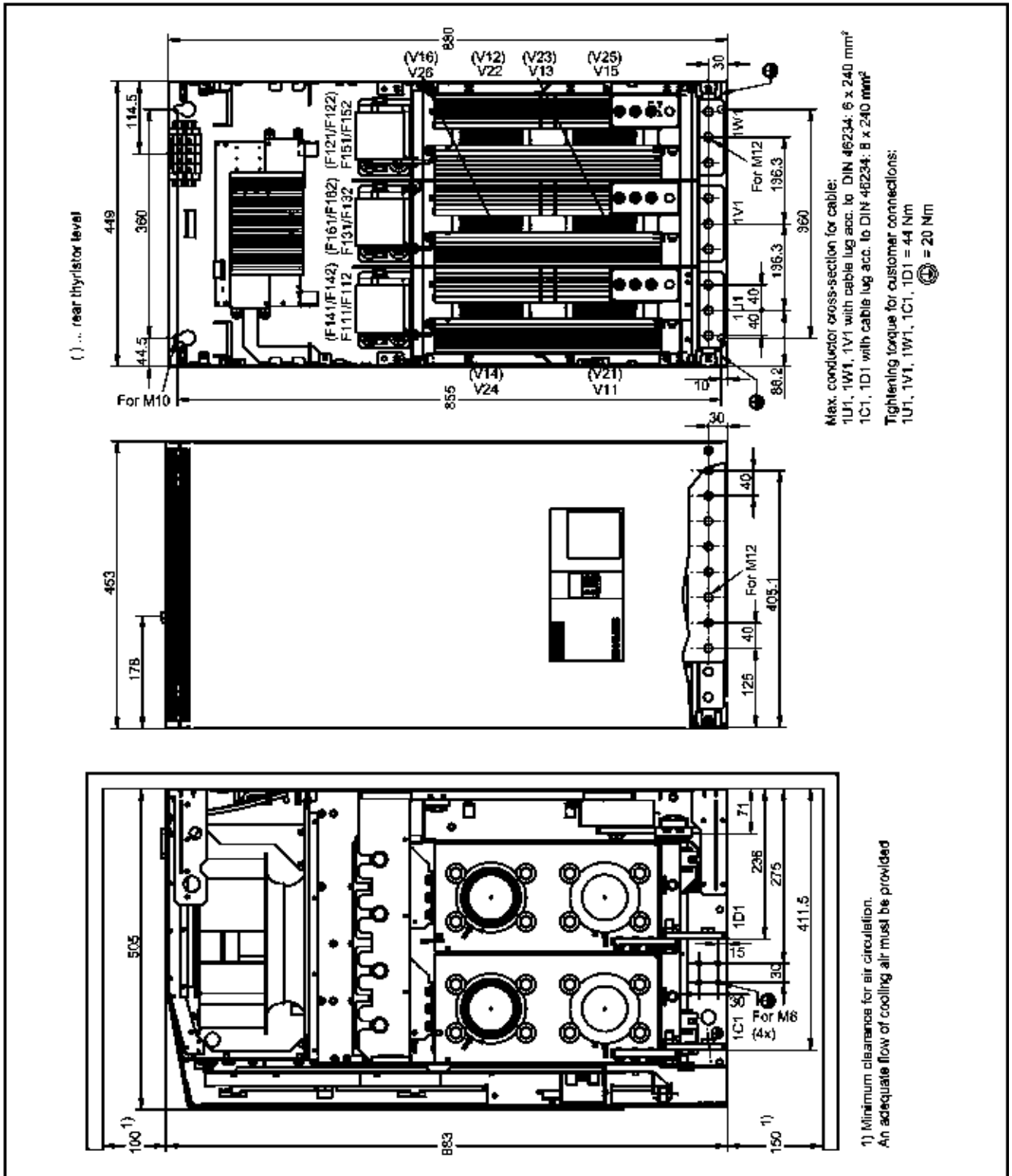


Figure 5-11 Dimension drawing: 1500 to 3000 A

5.2.2 Installing options and accessories

5.2.2.1 AOP30 operator panel

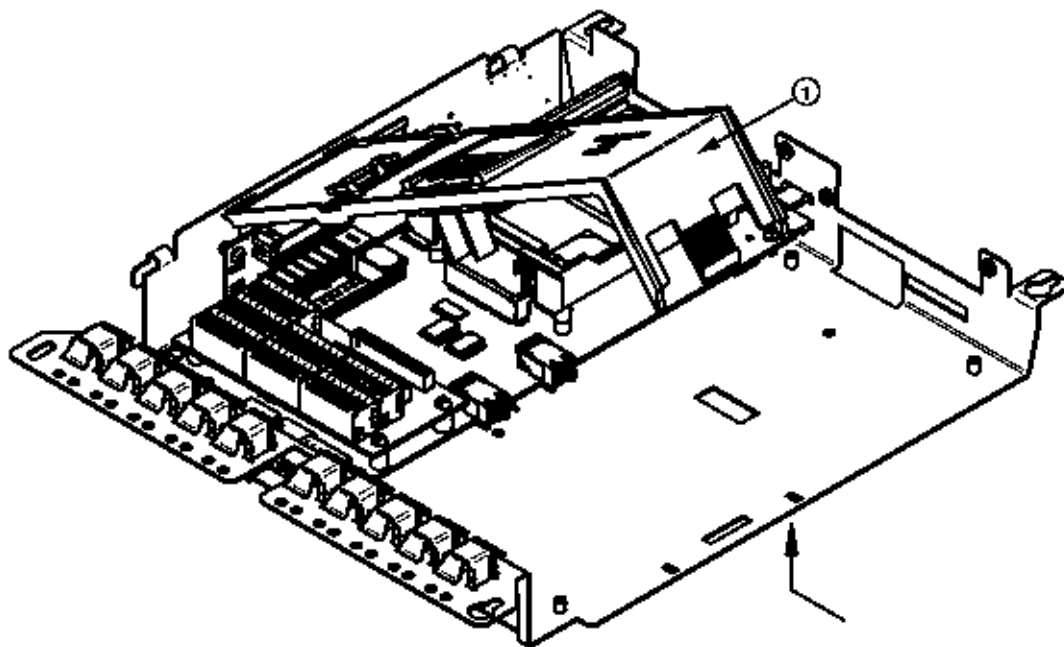
Installation cut-out required in the cabinet door: 197.5 × 141.5 mm

5.2.2.2 Installing a second CUD

NOTICE
Note the information provided on "Electrostatic sensitive devices (ESD)" in Chapter 1.

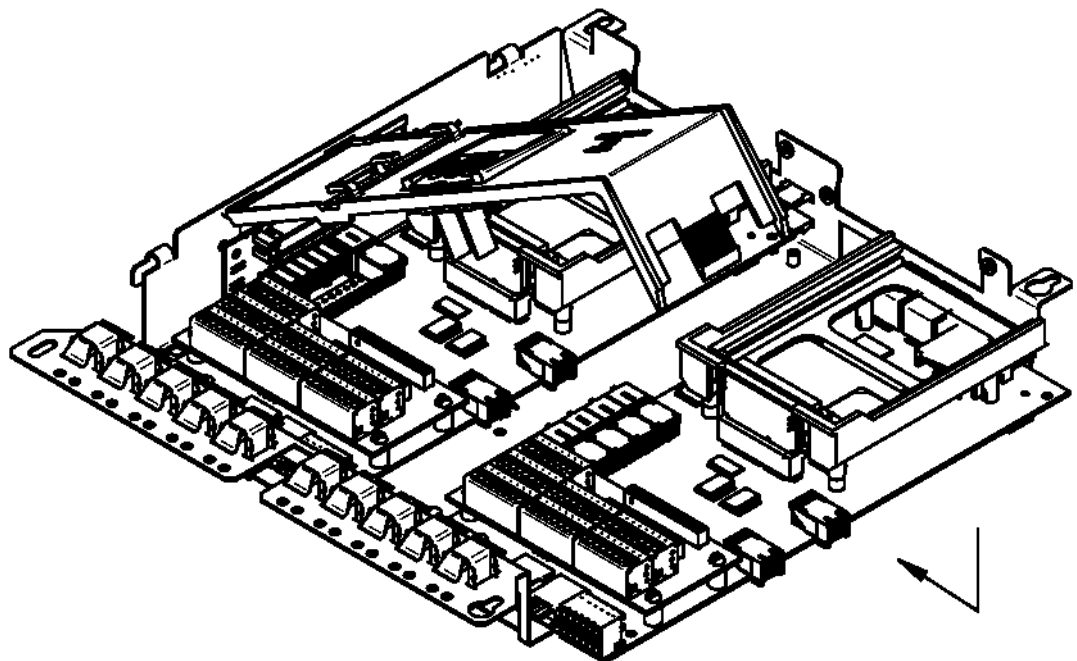
Note

Use the supplied mounting aid. See Chapter Replacing the CUD (Page 667).



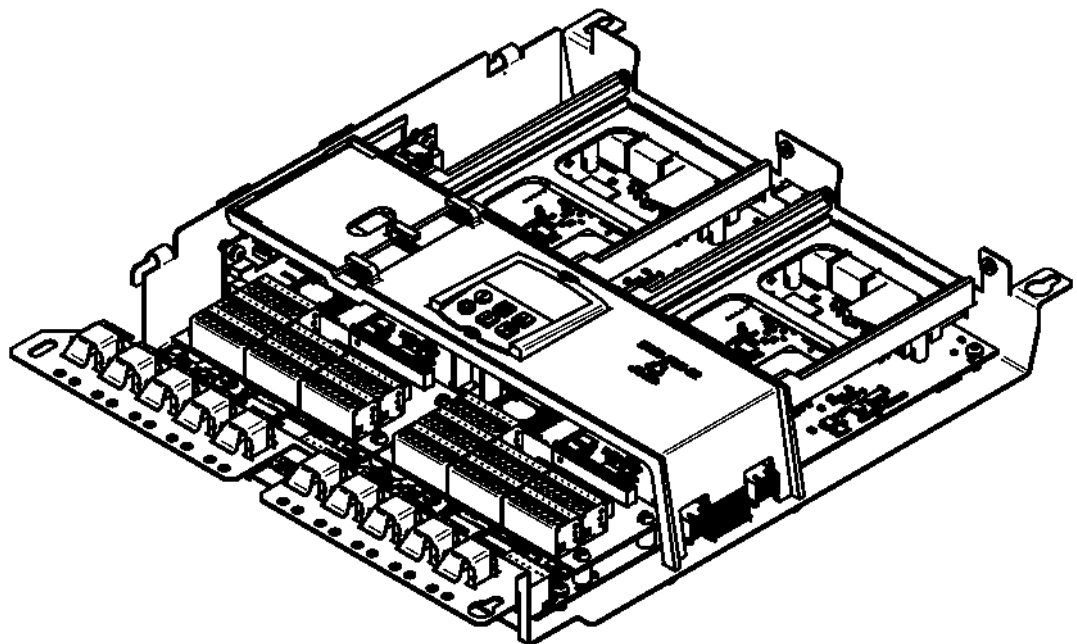
- Unlock and tilt up the BOP support ①.

Figure 5-12 Installing a second CUD (1)



- Mount the CUD and push it into the connectors for the left-hand CUD.
- Secure the CUD using four screws (screw and washer assembly, M3×6), tightening torque 1 Nm

Figure 5-13 Installing a second CUD (2)



- Lock the BOP support again.
- CAUTION: Do not clamp the BOP cable

Figure 5-14 Installing a second CUD (3)

Note

Information on connecting the device

The inside front cover of the SINAMICS DC MASTER Operating Instructions contains a summary of the key information required for connecting the device.

 WARNING

The devices are operated with high voltages.

All connection work must be carried out while the cabinet is de-energized.

Only qualified personnel who are familiar with all the safety instructions in these Operating Instructions, as well as the assembly, installation, operating, and maintenance instructions, should carry out work on these devices.

Death, serious injury, or substantial material damage can result if these warnings are not taken into account.

Connecting the device incorrectly can lead to it being damaged or destroyed.

The devices may be connected to a line supply with residual current operated circuit breaker if a universal current sensitive device is being used, which in the case of a ground fault, can also detect a DC component in the fault current. We recommend a residual current operated circuit breaker with an operating current ≥ 300 mA, which means that it is not suitable to protect personnel. If you have additional questions, please contact Technical Support.

The power and control terminals may be live even when the motor is not running.

The TSE capacitors may continue to carry dangerous voltage levels following disconnection. For this reason, the device should not be opened until a reasonable period of time has elapsed.

When handling the device while it is open, remember that live parts are exposed. The device must only be operated with the front covers provided by the factory fitted. When required, additional covers should be provided in the control cabinet (for example, in the area around the busbars).

Explicit note on the connection of the PROFIBUS cable to connector X126:
The PROFIBUS cable must only be connected or disconnected in a de-energized state. Otherwise, there is a danger of coming into contact with live components behind the terminal.

 **WARNING**

The operator is responsible for ensuring that the motor, SINAMICS DC MASTER, and other devices are installed and connected in accordance with recognized engineering practice in the country of installation and in compliance with applicable regional regulations. Special attention should be paid to cable dimensioning, fuses, grounding, shutdown, disconnection, and overcurrent protection.

The devices listed here contain dangerous rotating machine parts (fans) and control rotating mechanical parts (drives). Failure to follow these operating instructions may result in death, serious physical injury, or extensive material damage.

Perfect, safe, and reliable operation of the devices is conditional upon them having been transported, stored, mounted, and installed correctly, as well as carefully operated and serviced.

To operate the SINAMICS DC MASTER, both front cover fixing screws must be tight.

NOTICE

Surge arresters must be in compliance with IEC 60364-5-53:2002.

6.1 Instructions for EMC-compliant drive installation

Note

These installation instructions do not claim to contain all details and versions of devices, or to take into account all conceivable operational cases and applications.

Should you require further information or encounter specific problems which have not been dealt with in enough detail for your field of application, please contact your local Siemens office.

6.1.1 Basic information about EMC

What is EMC?

EMC stands for "electromagnetic compatibility" and describes "the capability of a device to function satisfactorily in an electromagnetic environment without itself causing interference unacceptable for other devices in the environment". Therefore, the various devices used should not cause interference to one another.

Within the context of the EMC Directive, the SINAMICS DC MASTER devices described in this document are not "devices" at all, but are instead "components" that are intended to be installed in an overall system or overall plant. For reasons of clarity, however, the generic term "devices" is used in many cases.

Interference emissions and interference immunity

EMC is dependent upon two properties demonstrated by the devices involved in the system: interference emissions and interference immunity. Electrical devices may be sources of interference (senders) and/or potentially susceptible equipment (receivers).

Electromagnetic compatibility is ensured when the existing sources of interference do not impair the function of potentially susceptible equipment.

A device may even be a source of interference and potentially susceptible equipment at the same time: For example, the power unit of a converter should be viewed as a source of interference and the control unit as potentially susceptible equipment.

Product standard EN 61800-3

The EMC requirements for "Variable-speed drive systems" are described in the product standard EN 61800-3. A variable-speed drive system (or Power Drive System PDS) consists of the drive converter and the electric motor including cables. The driven machine is not part of the drive system. EN 61800-3 defines different limits for the immunity to electromagnetic interference depending on the installation site of the drive system, referred to as the first and second environments.

Residential buildings or locations at which the drive system is directly connected to a public low-voltage network without an intermediate transformer are defined as the **first environment**.

The term **second environment** refers to all locations outside residential areas. These are basically industrial areas which are powered from the medium-voltage network via their own transformers.

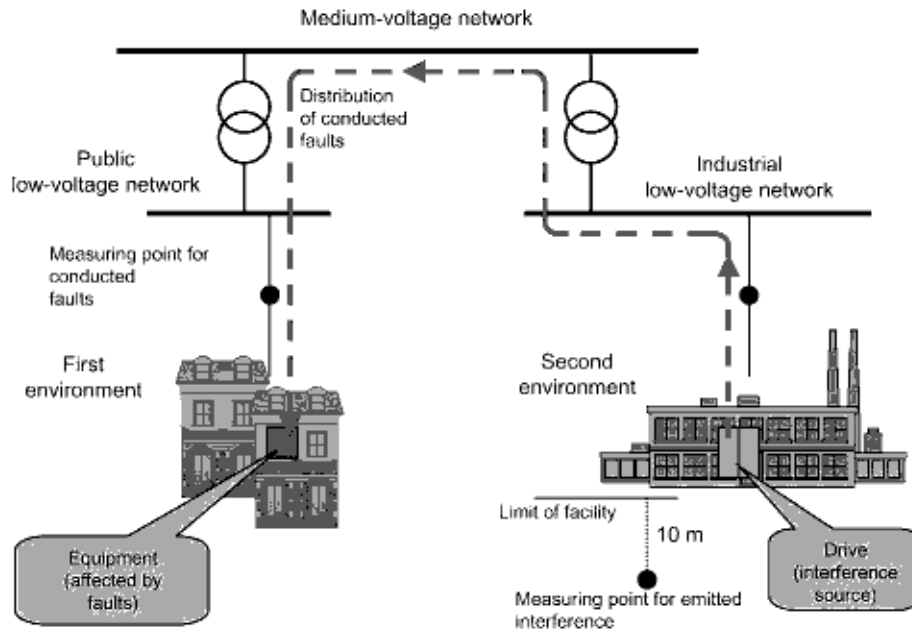


Figure 6-1 Definition of the first and second environments

Depending on the installation site and the drive power, four different categories are defined in EN 61800-3 Ed.2 with regard to the limit values for interference emission and two (operating) environments with regard to the requirements on interference immunity.

- Category C1: Drive systems for rated voltages < 1,000 V for unlimited use in the first environment
- Category C2: Stationary drive systems for rated voltages < 1,000 V for use in the second environment. Use in the first environment is possible if the drive system is distributed and installed by qualified personnel. The warning information and installation instructions supplied by the manufacturer must be observed.
- Category C3: Drive systems for rated voltages < 1,000 V for exclusive use in the second environment
- Category C4: Drive systems for rated voltages $\geq 1,000$ V or for rated currents ≥ 400 A for use in complex systems in the second environment

The figure below shows how the four categories are assigned to the first and second environments:

First environment	C1	Second environment
	C2	
	C3	
	C4	

Figure 6-2 Definition of categories C1 to C4

SINAMICS DC MASTER devices are nearly always used in the second environment (categories C3 and C4).

RFI suppression filters and line reactors are required whenever they are to be used in Category C2.

The SINAMICS DC MASTER conform to the interference immunity requirements defined in EN 61800-3 for the second environment, and thus also with the lower interference immunity requirements for the first environment.

SINAMICS DC MASTER: Industrial applications

Industrial applications demand that devices demonstrate an extremely high level of interference immunity, but by contrast place very low requirements on them in terms of interference emission levels.

SINAMICS DC MASTER converters are components of an electrical drive, such as contactors and switches. Qualified personnel must install them into a drive system which, as an absolute minimum, consists of the converter, motor cables, and motor. Line reactors and fuses are also required in most cases. Therefore, whether or not a limit value is adhered to is determined by the components being installed correctly. In order to limit the interference emission in compliance with the limit value for category C2 according to EN61800-3, RFI suppression filters are required in the mains supply conductors for the armature and field power units and the line reactors. Without RFI suppression filters, the interference emission of SINAMICS DC MASTER converters exceeds the limit value for category C2.

If the drive forms part of a system, it does not initially need to fulfill any interference emission requirements, but the EMC Directive does require the system as a whole to be electromagnetically compatible with its environment.

Non-grounded networks

Non-grounded networks (IT systems) are used in some branches of industry in order to increase the availability of the plant. In the event of a ground fault, no fault current flows and the plant can continue with production. If RFI suppression filters are brought into the equation, however, a fault current does flow in the event of a ground fault, which may cause the drives to shut down or the RFI suppression filter to potentially be destroyed. For this reason, the product standard does not define any limit values for these networks. From an economical perspective, any necessary EMC conformance measures should be taken on the grounded primary side of the supply transformer.

EMC planning

If two devices are not electromagnetically compatible, you can reduce the interference emission level of the source of interference or increase the interference immunity of the potentially susceptible equipment. Sources of interference are generally power electronics devices with high power consumption; reducing their interference emission levels requires complex filters. Potentially susceptible equipment usually refers to control gear and sensors, including their evaluation circuit. There is less work involved in increasing the interference immunity of inefficient devices, meaning that - economically speaking - increasing interference immunity is generally a more favorable option for industrial applications than reducing the interference emission level.

In industrial applications, EMC between devices should be based on a carefully-balanced combination of the interference emission and interference immunity levels.

The most cost-effective measure that can be put in place to achieve EMC conformance is to physically separate sources of interference and potentially susceptible equipment - provided that you have taken this option into account during the planning stage of your machine/plant. In the first instance, it is necessary to determine whether each device used is a potential source of interference or potentially susceptible equipment. Within this context, converters and contactors, for example, can be counted as sources of interference, while examples of potentially susceptible equipment are PLCs, encoders, and sensors.

The components in the control cabinet (sources of interference and potentially susceptible equipment) must be physically separated, by means of partition plates if necessary, or by installing them in metal enclosures.

6.1.2 EMC-compliant drive installation (installation instructions)

General information

Not only are drives operated in a wide variety of environments, but the electrical components used (controllers, switch mode power supplies, and so on) can also differ widely with respect to interference immunity and interference emission levels, meaning that all installation guidelines of any kind can offer is a practical compromise. For this reason, EMC rules do not need to be implemented to the letter in all cases, provided that measures are tested on a case-by-case basis.

In order to ensure electromagnetic compatibility (EMC) in your control cabinets in rugged electrical environments and adhere to the standards required by the relevant legislating body, the EMC rules listed below should be followed during the construction and design stages.

Rules 1 to 10 apply on a general level. Rules 11 to 15 must be followed in order to fulfill interference emission standards.

Rules for EMC-compliant installation

- 1 Connect all metallic parts of the control cabinet to one another over a flat area with good conductivity (not paint against paint!). Use contact or scratch washers if necessary. The cabinet door must be connected to the cabinet using the shortest possible ground strips (at the top, center, and bottom).
- 2 Contactors, relays, solenoid valves, electromechanical operating hours counters, etc., in the cabinet and - where applicable - in neighboring cabinets - must be provided with quenching combinations such as RC elements, varistors, and diodes. These must be connected directly at the appropriate coil.
- 3 Whenever possible, guide signal cables ¹⁾ into the cabinet at one level only.
- 4 Unshielded cables in the same circuit (outgoing/incoming conductors) must be twisted where possible, or the area between them minimized, to prevent unnecessary frame antennae.
- 5 Connect spare wires to the cabinet ground ²⁾ at both ends. This achieves an additional shielding effect.
- 6 Avoid unnecessary cable lengths in order to keep coupling capacities and inductances low.
- 7 Crosstalk is generally reduced if the cables are laid close to the control cabinet ground. Do not, therefore, route cables freely around the cabinet, but lay them as close as possible to the cabinet enclosure/mounting plates. This also applies to spare cables.
- 8 Signal and power cables must be physically separated (to prevent coupling paths). Minimum clearance: You should aim for a minimum of 20 cm.
If it is not possible to physically separate the encoder and motor cables, the encoder cable must be decoupled either using a partition or by laying it in a metal conduit. The partition or metal conduit must be grounded at several points.
- 9 Ground the shields of digital signal cables at both ends (source and destination), ensuring maximum contact area and good conductivity. In the event of poor equipotential bonding between the shield connections, run an additional equalizing conductor with a cross-section of at least 10 mm² parallel to the shield for the purpose of reducing the shield current. Generally speaking, the shields may also be connected to the cabinet enclosure (ground) ²⁾ at several points, and connected at several points outside the control cabinet.
Foil shields should be avoided as they are at least 5 times less effective than braided shields.
- 10 Shields for analog signal cables may be connected to ground at both ends if equipotential bonding is good (this must be done over a large area with good conductivity). It can be assumed that equipotential bonding is good if all metal parts are well interconnected and the electronics components are supplied from a single source.
Connecting shields at one end prevents low-frequency, capacitive interference injections (e.g. 50 Hz humming). In this case, the shield should be connected in the control cabinet; a sheath wire may also be used for this purpose.
The cable to the temperature sensor on the motor (X177:53 to 55) must be shielded and connected to ground at both ends.
- 11 Ensure that the RFI suppression filter is always located close to the suspected source of interference. The filter must be attached to the cabinet enclosure, mounting plate, etc., over a flat area. Incoming and outgoing cables must be physically separated.

- 12 RFI suppression filters must be used in order to conform to limit value class A1. Additional loads must be connected upstream of the filter (on the line side).
The controller used and the manner in which the rest of the control cabinet is wired will determine whether an additional line filter needs to be installed.
- 13 A line reactor must be included in the field circuit for controlled field power supplies.
- 14 A line reactor must be included in the armature circuit of the converter.
- 15 The motor cables do not have to be shielded. There must be a clearance of at least 20 cm between the power supply and the motor cables (field, armature). Use a partition if necessary.

Footnotes

- 1) Signal cables are defined as:
Digital signal cables: E.g. cables for incremental encoders
Analog signal cables: E.g. ± 10 V setpoint cable
Serial interfaces: E.g. PROFIBUS DP
- 2) Generally speaking, "ground" refers to all metallic conductive parts that can be connected to a protective conductor, such as the cabinet enclosure, motor enclosure, or foundation ground.

Cabinet configuration and shielding

The cabinet configuration image below is intended to help the user become familiar with EMC-critical parts. This example does not claim to show all possible cabinet components or configuration options.

Later figures show details that are not made immediately clear by the overview image and which may also have an effect on the cabinet's resistance/interference emission levels, as well as shield connection techniques.

Arrangement of RFI suppression filters and line reactors

Another section shows how the RFI suppression filters and line reactors are arranged in a SINAMICS DC MASTER. The order in which the reactors and filters are installed must be adhered to. The filter cables on the line side and modular side must be physically separated. For information on selecting fuses for semiconductor protection, see Chapter "Fuses".

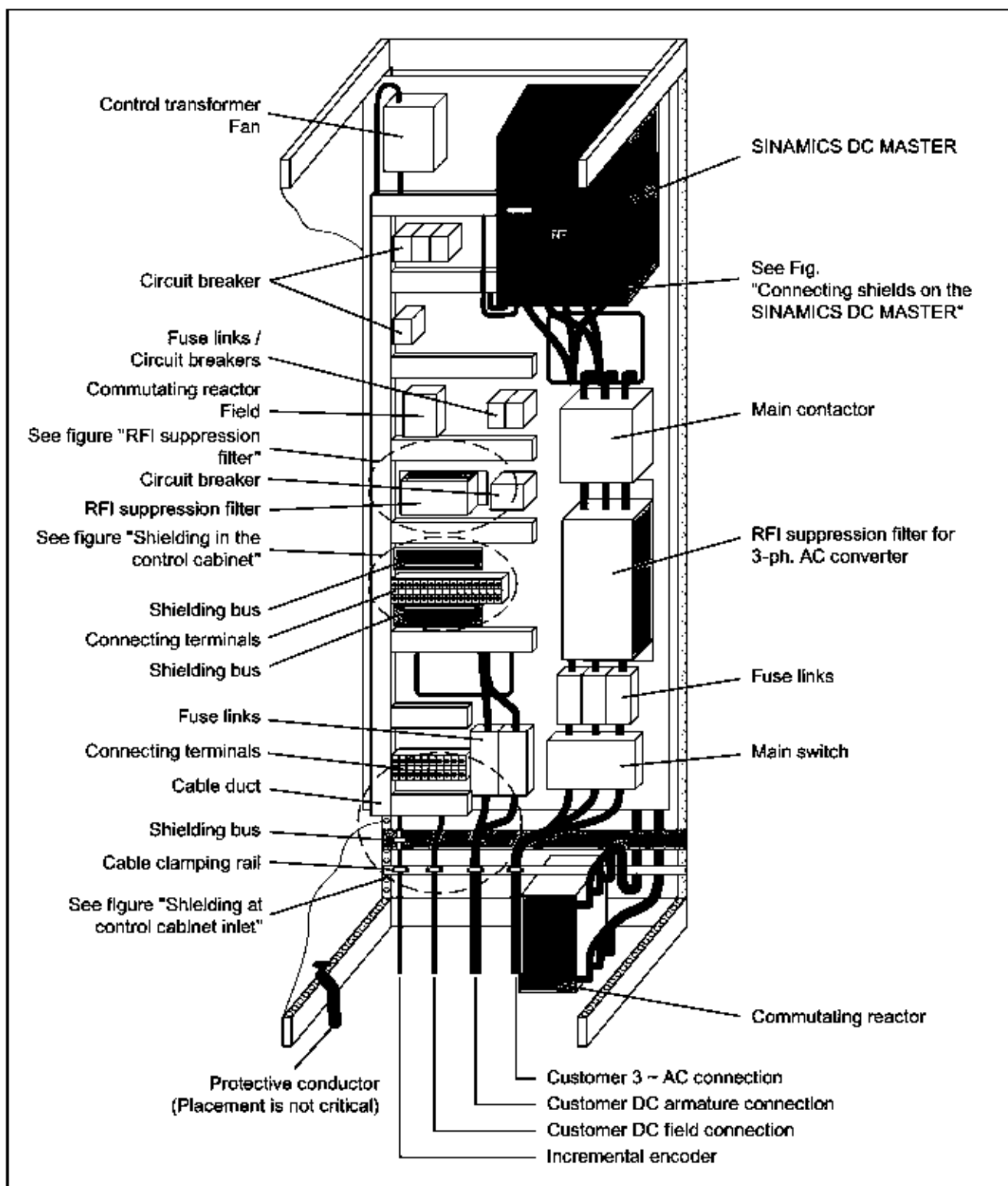


Figure 6-3 Example of a cabinet configuration with a SINAMICS DC MASTER of up to 850 A

6.1 Instructions for EMC-compliant drive installation

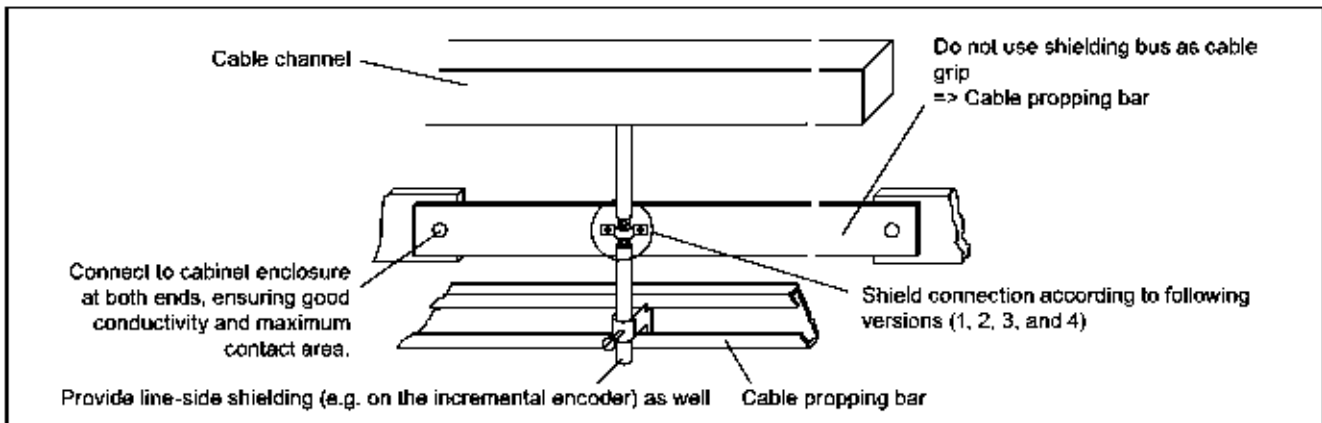


Figure 6-4 Shielding at control cabinet inlet

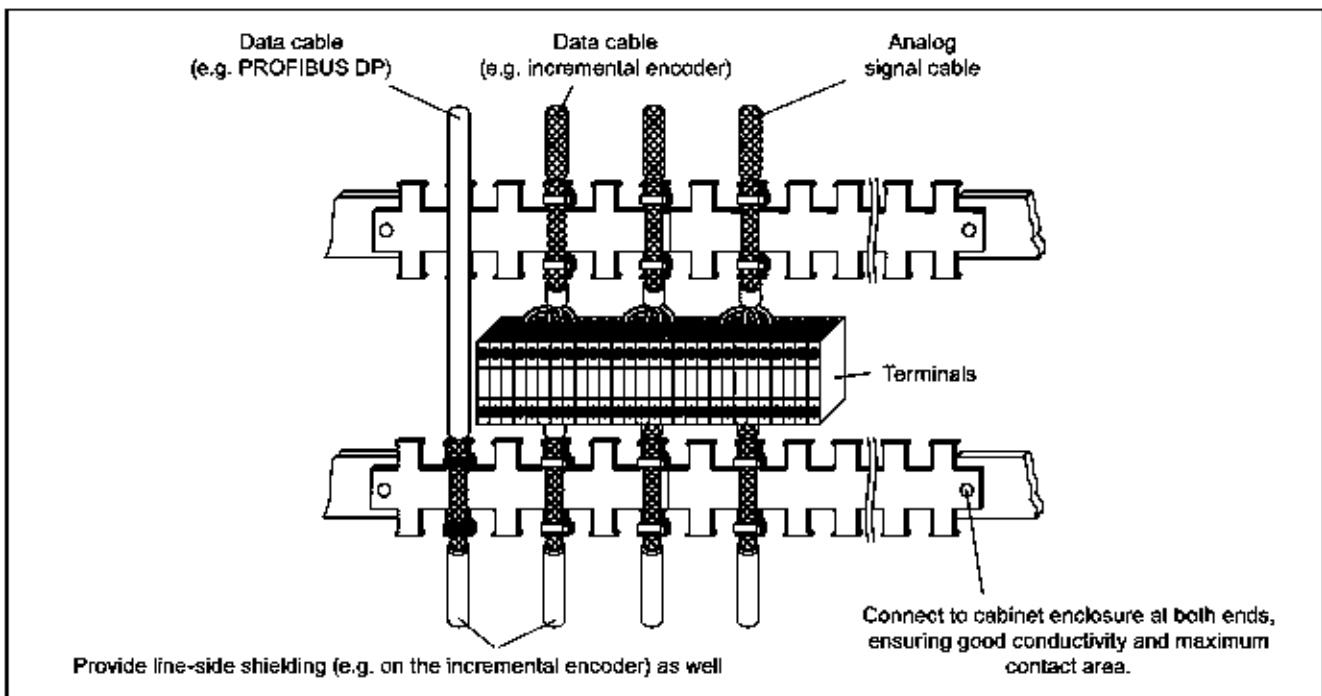


Figure 6-5 Shielding in control cabinet

Connecting shields on the SINAMICS DC MASTER

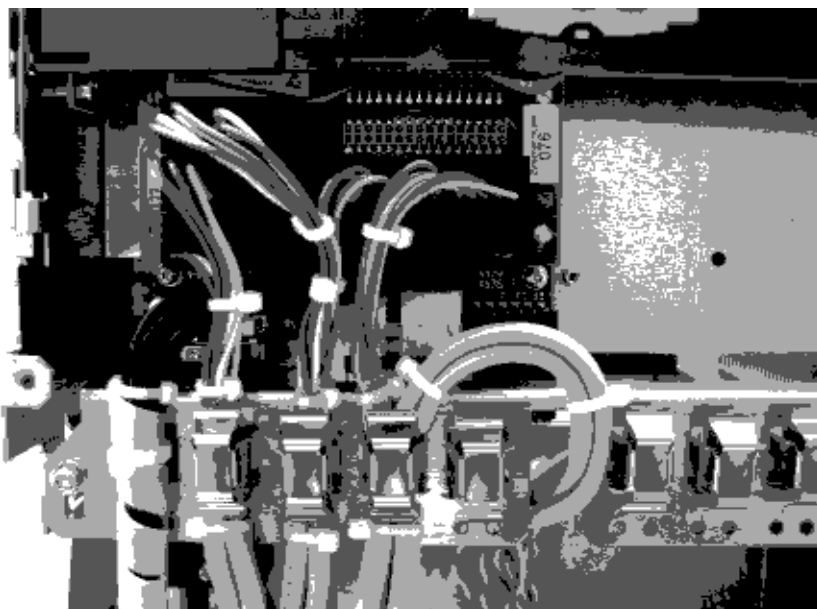


Figure 6-6 Connecting shields

Note

The strain relief of shielded cables and the shield support must be mechanically decoupled from one another.

Radio interference suppression filters for the field circuit

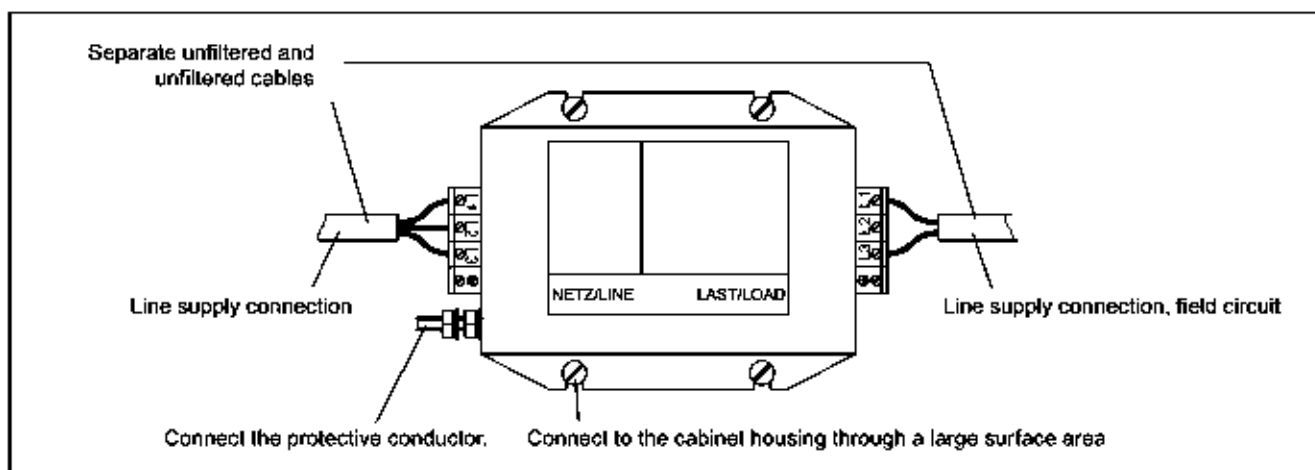
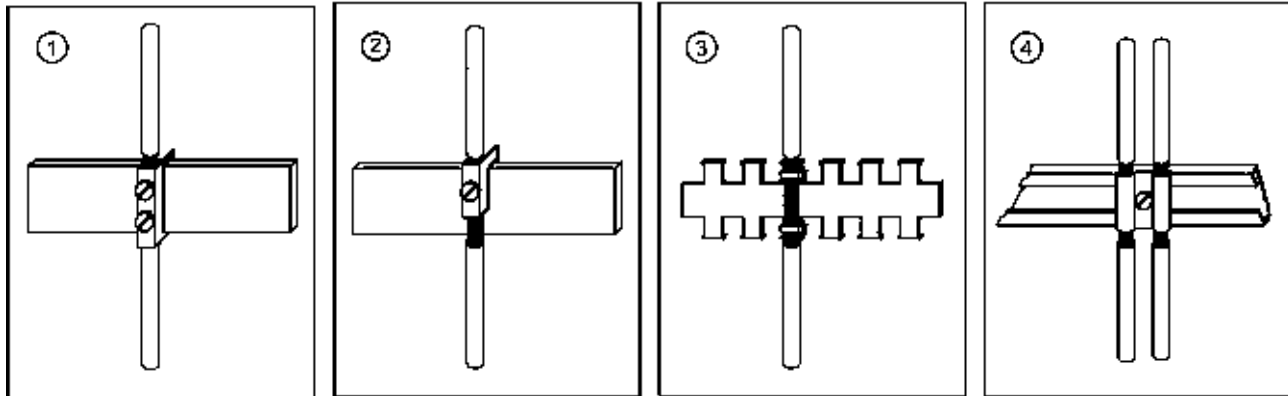


Figure 6-7 RFI suppression filter

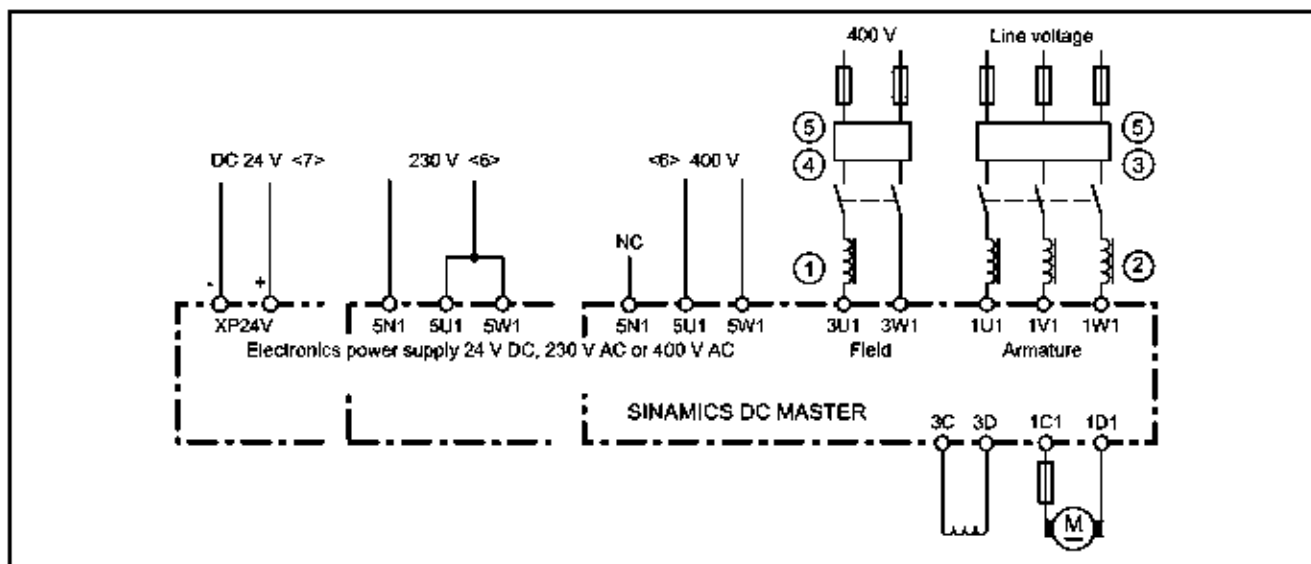
Shield connection



- ① Connecting terminal on copper bar, max. cable diameter 15 mm
Notice! Risk of pinching cable if screws tightened too much
- ② Bus-mounting terminal on copper bar, max. cable diameter 10 mm
Notice! Risk of pinching cable if screws tightened too much
- ③ Metallic tube or cable tie on bare metallic comb-type/toothed bar
- ④ Clamp with metallic backing plate on cable support rail

Figure 6-8 Shield connection

6.1.3 Arranging components for converter units



- ① The line reactor in the field circuit is dimensioned for the rated current of the motor field.
 - ② The line reactor in the armature circuit is dimensioned for the rated motor current in the armature. The line current equals 0.82 times the DC current.
 - ③ The RFI suppression filter for the armature circuit is dimensioned for the rated motor current in the armature. The line current equals 0.82 times the DC current.
 - ④ The RFI suppression filter for the field circuit is dimensioned for the motor field's rated current.
 - ⑤ If the supply voltages for the armature circuit and field circuit are the same, the voltage for the field can also be taken after the radio interference suppression filter for the armature circuit. In this case, the line reactor must be dimensioned for the sum of the rated armature current and the rated field current times 0.82. The field circuit must be protected separately.
- <6> Devices with "Power interface with AC electronic power supply"
- <7> Devices with "Power interface with DC electronic power supply"

Figure 6-9 Arrangement of reactors and RFI suppression filters

NOTICE

Whenever RFI suppression filters are used, line reactors are required between the filter and device input for the purpose of decoupling the TSE circuit and providing protection for the X capacitors.

The components must be wired in the following order:

Line supply – radio interference suppression filter – commutating reactor – SINAMICS DCM.

An incorrect arrangement can destroy a thyristor (short-circuit) and rupture a fuse.

6.1.4 RFI suppression filter

Table 6- 1 Recommended RFI suppression filter from EPCOS

AC rated current RFI suppression filter	TN / TT supply systems	IT system	Article number EPCOS
Line filters for armature circuit			
25 A	760/440 V	580/335 V	B84143A0025R021
50 A	760/440 V	580/335 V	B84143A0050R021
80 A	760/440 V	630/365 V	B84143A0080R021
120 A	760/440 V	630/365 V	B84143A0120R021
180 A	-	690/400 V	B84143B0180S024
180 A	520/300 V	360/208 V	B84143B0180S080
180 A	760/440 V	560/320 V	B84143B0180S081
250 A	520/300 V	360/208 V	B84143B0250S080
250 A	760/440 V	560/320 V	B84143B0250S081
400 A	-	690/400 V	B84143B0400S024
400 A	520/300 V	360/208 V	B84143B0400S080
400 A	760/440 V	560/320 V	B84143B0400S081
600 A	-	690/400 V	B84143B0600S024
600 A	520/300 V	360/208 V	B84143B0600S080
600 A	760/440 V	560/320 V	B84143B0600S081
1000 A	-	690/400 V	B84143B1000S024
1000 A	520/300 V	360/208 V	B84143B1000S080
1000 A	760/440 V	560/320 V	B84143B1000S081
1600 A	-	690/400 V	B84143B1600S024
1600 A	520/300 V	360/208 V	B84143B1600S080
1600 A	760/440 V	560/320 V	B84143B1600S081
2500 A	530/310 V	460/265 V	B84143B2500S020
2500 A	760/440 V	560/320 V	B84143B2500S021
2500 A	-	690/400 V	B84143B2500S024
Line filters for auxiliary power supply			
25 A	520/300 A	440/255 A	B84143A0025R105
50 A	520/300 A	440/255 A	B84143A0050R105
66 A	520/300 A	440/255 A	B84143A0066R105
90 A	520/300 A	440/255 A	B84143A0090R105
120 A	520/300 A	440/255 A	B84143A0120R105

Further information on the RFI suppression filters can be found on the Internet page of EPCOS.

EPCOS (<http://en.tdk.eu>)

Radio interference suppression filters generate leakage currents. In accordance with EN 61800-5-1, a PE connection with a cross-section of 10 mm² is required.

For the filters to have maximum effect, it is absolutely essential that they and the device are installed on a single metal plate.

In the case of converters with a 3-phase connection, the minimum rated current of the filter is the same as the device's input current or output DC current, as specified on the device rating plate (see Armature Input and Armature Output respectively), times 0.82.

In the case of a two-phase connection (field supply), only two phases are connected to the three-phase radio interference suppression filter. In this case, the minimum rated current of the filter is the same as the input current (see Field input) or field DC current specified on the device rating plate.

6.1.5 Information on line-side harmonics produced by converter units in a fully-controlled two-pulse bridge circuit configuration (B6C and (B6)A(B6)C)

The majority of converter units for medium-power applications have a fully-controlled two-pulse bridge circuit configuration. Below is an example of the harmonics that can be found in a typical system configuration for two firing angles ($\alpha = 20^\circ$ and $\alpha = 60^\circ$).

The values have been taken from a previous publication, "Oberschwingungen im netzseitigen Strom sechspulsiger netzgeführter Stromrichter (Harmonics in the Line-Side Current of Six-Pulse, Line-Commutated Converters)" by H. Arremann and G. Möltgen, Siemens Research and Development Division, Volume 7 (1978) No. 2, Springer-Verlag 1978.

In addition, the example specifies formulae which, depending on the actual operating data in use [line voltage (no-load voltage U_{v0}), line frequency f_N , and DC current I_d], can be used to calculate the short-circuit power S_K and armature inductance L_a for the motor to which the specified harmonics spectrum applies. If the actual line short-circuit power and/or actual armature inductance deviate from the values calculated in this way, then they will need to be calculated on a case-by-case basis.

The harmonics spectrum listed below is produced if the values for the short-circuit power S_K at the unit terminal and the armature inductance L_a of the motor, calculated using the formulae below, match the actual values found in the system. If the values do not match, a separate calculation procedure will need to be carried out for the harmonics.

a) $\alpha = 20^\circ$				b) $\alpha = 60^\circ$			
Fundamental factor $g = 0.962$				Fundamental factor $g = 0.953$			
v	I_v/I_1	v	I_v/I_1	v	I_v/I_1	v	I_v/I_1
5	0.235	29	0.018	5	0.283	29	0.026
7	0.100	31	0.016	7	0.050	31	0.019
11	0.083	35	0.011	11	0.089	35	0.020
13	0.056	37	0.010	13	0.038	37	0.016
17	0.046	41	0.006	17	0.050	41	0.016
19	0.035	43	0.006	19	0.029	43	0.013
23	0.028	47	0.003	23	0.034	47	0.013
25	0.024	49	0.003	25	0.023	49	0.011

The fundamental component of current I_1 as a reference variable is calculated using the following formula:

$$I_1 = g \times 0.817 \times I_d$$

where I_d is the DC current of the operating point under investigation and where g is the fundamental factor (see above)

The harmonics currents calculated on the basis of the tables above **only** apply to

I.) Short-circuit power S_K at the converter unit terminal

$$S_K = U_{v0}^2 / X_N \text{ (VA)}$$

where

$$X_N = X_K - X_D = 0.03526 \times U_{v0} / I_d - 2\pi f_N \times L_D \text{ (}\Omega\text{)}$$

and

U_{v0} is the no-load voltage at the converter unit terminal in V,
 I_d is the DC current of the operating point under investigation in A,
 f_N is the line frequency in Hz,
 L_D is the inductance of the line reactor used in H,
 X_D is the line reactor impedance,
 X_N is the network impedance, and
 X_K is the impedance at the unit terminals

II.) Armature inductance L_a

$$L_a = 0.0488 \times U_{v0} / (f_N \times I_d) \text{ (H)}$$

If the actual values for the short-circuit power S_K and/or armature inductance L_a deviate from the values calculated using the formulae above, a separate calculation procedure will need to be carried out.

Example:

Let us take a drive with the following data:

$U_{v0} = 400 \text{ V}$
 $I_d = 150 \text{ A}$
 $f_N = 50 \text{ Hz}$
 $L_D = 0.169 \text{ mH}$ (4EU2421-7AA10 with $I_{Lr} = 125 \text{ A}$)

Where

$$X_N = 0.03536 \times 400 / 150 - 2\pi \times 50 \times 0.169 \times 10^{-3} = 0.0412 \Omega,$$

the network short-circuit power at the converter unit terminal is as follows:

$$S_K = 400^2 / 0.0412 = 3.88 \text{ MVA}$$

and the armature inductance of the motor is as follows:

$$L_a = 0.0488 \times 400 / (50 \times 150) = 2.60 \text{ mH}$$

The harmonic currents I_v (where $I_1 = g \times 0.817 \times I_d$ for firing angles $\alpha = 20^\circ$ and $\alpha = 60^\circ$) that can be taken from the tables **only** apply for the values S_K and L_a calculated using this method. If the actual values deviate from these, a separate calculation procedure will need to be carried out.

For the purpose of dimensioning filters and compensation equipment with reactors, it is only possible to draw on the information provided by the harmonics values calculated in this way if the values calculated for S_K and L_a match the actual drive values. In all other cases, a separate calculation procedure needs to be carried out (this particularly applies when using machines with compensation, as they demonstrate a very low armature inductance level).

6.1.6 Data on the line-side harmonics from converter units in a fully-controlled AC bridge circuit B2C

Converter units for lower power ratings can be connected and parameterized as fully-controlled AC bridge circuit.

Below is an example for the current harmonics of a typical system configuration of a field excitation controller (this is a system with a large DC circuit inductance). The case with the highest harmonic load of the line supply has been selected here.

For every motor used, a separate investigation must be performed to determine the actual harmonic load. In any case, the result will be less than in the example shown.

For comparison purposes, the table also includes the harmonic load of a B6C three-phase bridge at the same operating point as the field excitation controller.

Harmonic order	B2C ²⁾	B6C ²⁾	Harmonic order	B2C ²⁾	B6C ²⁾
v	I _v / I	I _v / I	v	I _v / I	I _v / I
1 ¹⁾	90.1 %	95.6 %	27	3.3 %	
3	30.0 %		29	3.1 %	3.3 %
5	18.0 %	19.1 %	31	2.9 %	3.1 %
7	12.9 %	13.7 %	33	2.7 %	
9	10.0 %		35	2.6 %	2.7 %
11	8.2 %	8.7 %	37	2.4 %	2.6 %
13	6.9 %	7.4 %	39	2.3 %	
15	6.0 %		41	2.2 %	2.3 %
17	5.3 %	5.6 %	43	2.1 %	2.2 %
19	4.7 %	5.0 %	45	2.0 %	
21	4.3 %		47	1.9 %	2.0 %
23	3.9 %	4.2 %	49	1.8 %	2.0 %
25	3.6 %	3.8 %			

¹⁾ Fundamental content

²⁾ converter circuit

6.2 Cable routing into the unit

Cable routing example

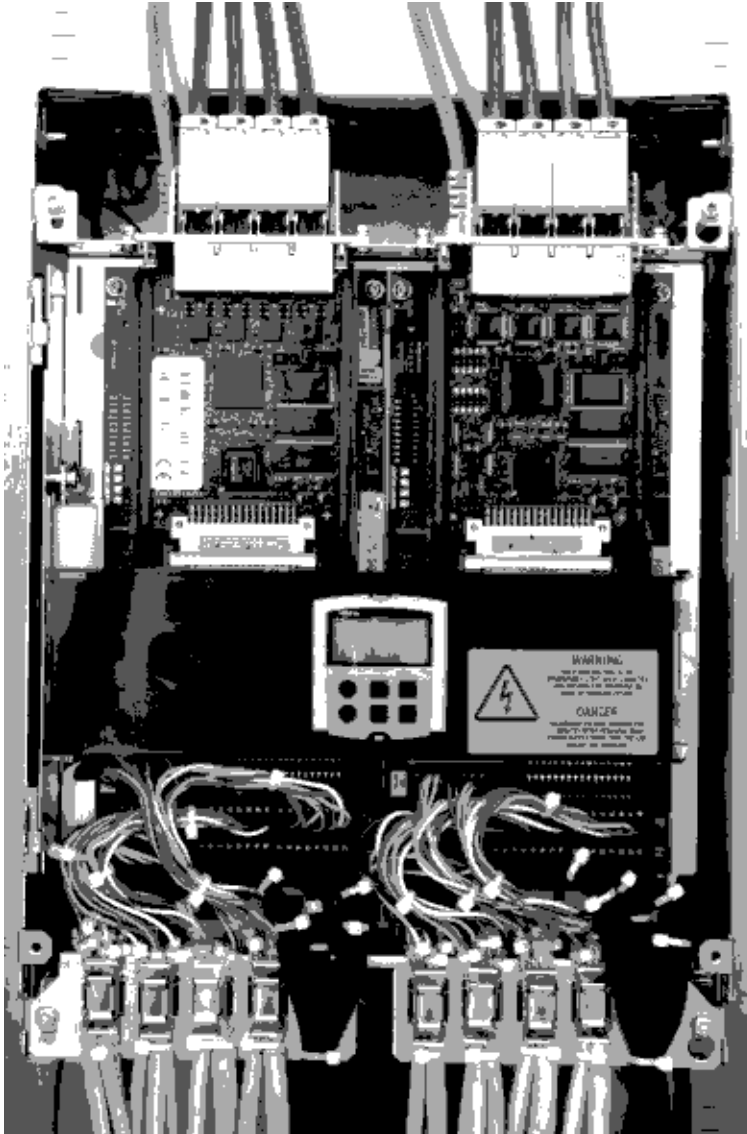
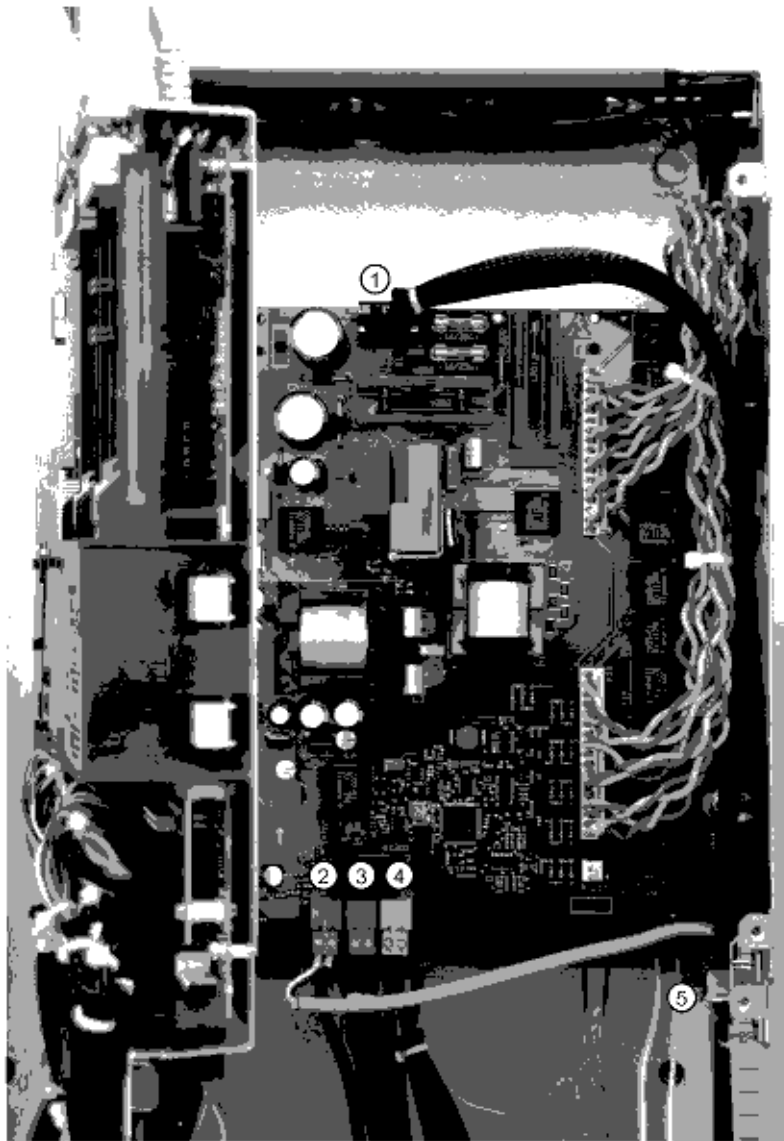


Figure 6-10 Example for cable routing when fully expanded

Note

For devices with a rated DC current ≤ 280 A, the PROFINET cable and the DRIVE-CLiQ cable must be routed into the device from the top (PROFINET is only available with Communication Board(s) CBE20).

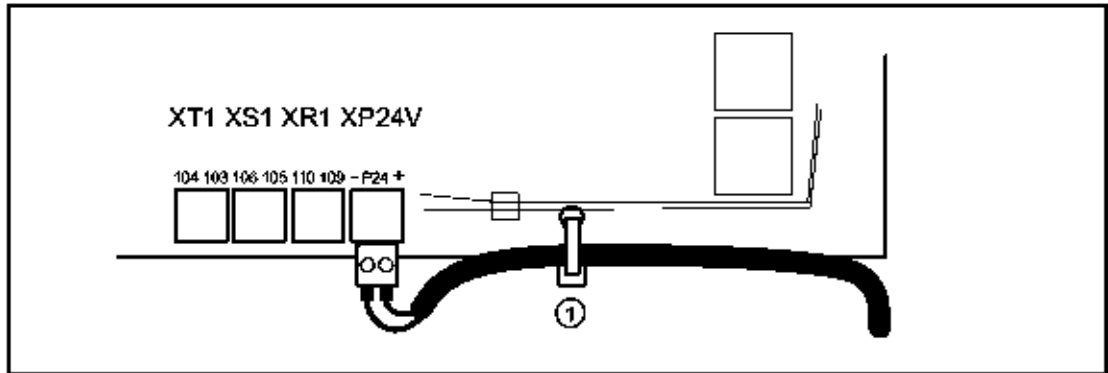


- ① Connection for the electronic power supply (XP1). Mechanically attach the cable using one of the shield clamps ⑤ at the side of the enclosure. Two holes on the printed-circuit board to attach the cable using cable ties.
- ② Connection for the analog tachometer (XT1) Connect the shield to one of the shield clamps ⑤ on the side of the enclosure.
- ③ Connection for E-STOP (XS1). Route the cable into the device from the bottom.
- ④ Connection for the floating relay output for the line contactor (XR1). Route the cable into the device from the bottom.

Figure 6-11 Cable routing, power interface

Option L05: Connecting the electronic power supply

Devices with "Power interface with DC electronic power supply"



① Use a cable tie to attach the cable to the circuit board (Power Interface)

Figure 6-12 Option L05, electronic power supply

Connection for the PROFIBUS cable

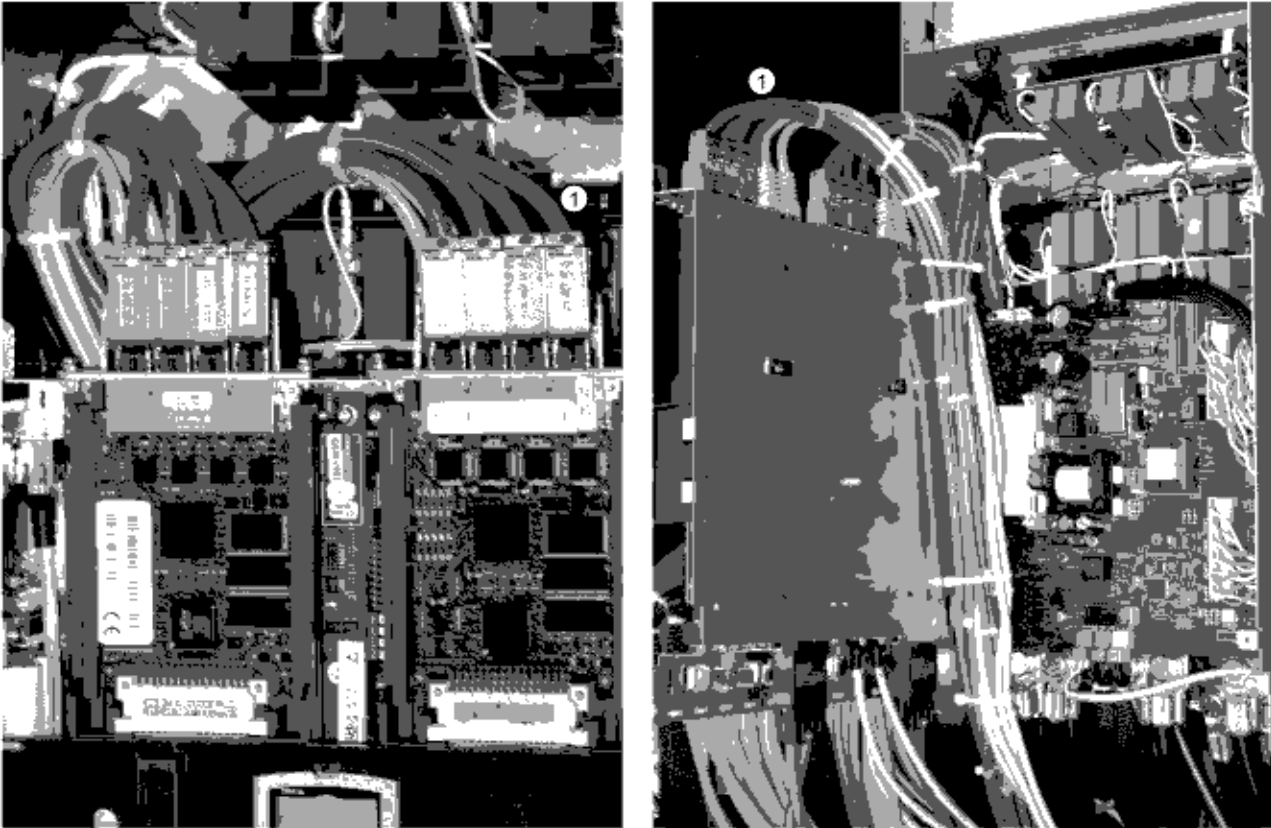
(not visible in the photographs above):

- Route the PROFIBUS cable into the device from the bottom
- Screw the PROFIBUS bus connector to connector X126 at the CUD using the two screws
- It is not necessary to have a shield support in the device, it is recommended that the shield is connected in the cabinet.

⚠ DANGER
Possible contact with live parts
PROFIBUS cable on connector X126: The PROFIBUS cable must only be connected or disconnected in a de-energized state. Otherwise, there is a danger of coming into contact with live components behind the terminal.

Routing PROFINET cables

Note: PROFINET is only available with Communication Board(s) CBE20



① PROFINET cable (4 connections on each CBE20)

Figure 6-13 Routing PROFINET cables in devices >280 A

Note

Cables, which are not mechanically retained in the device, must be externally retained

6.3 Block diagram with connection suggestion

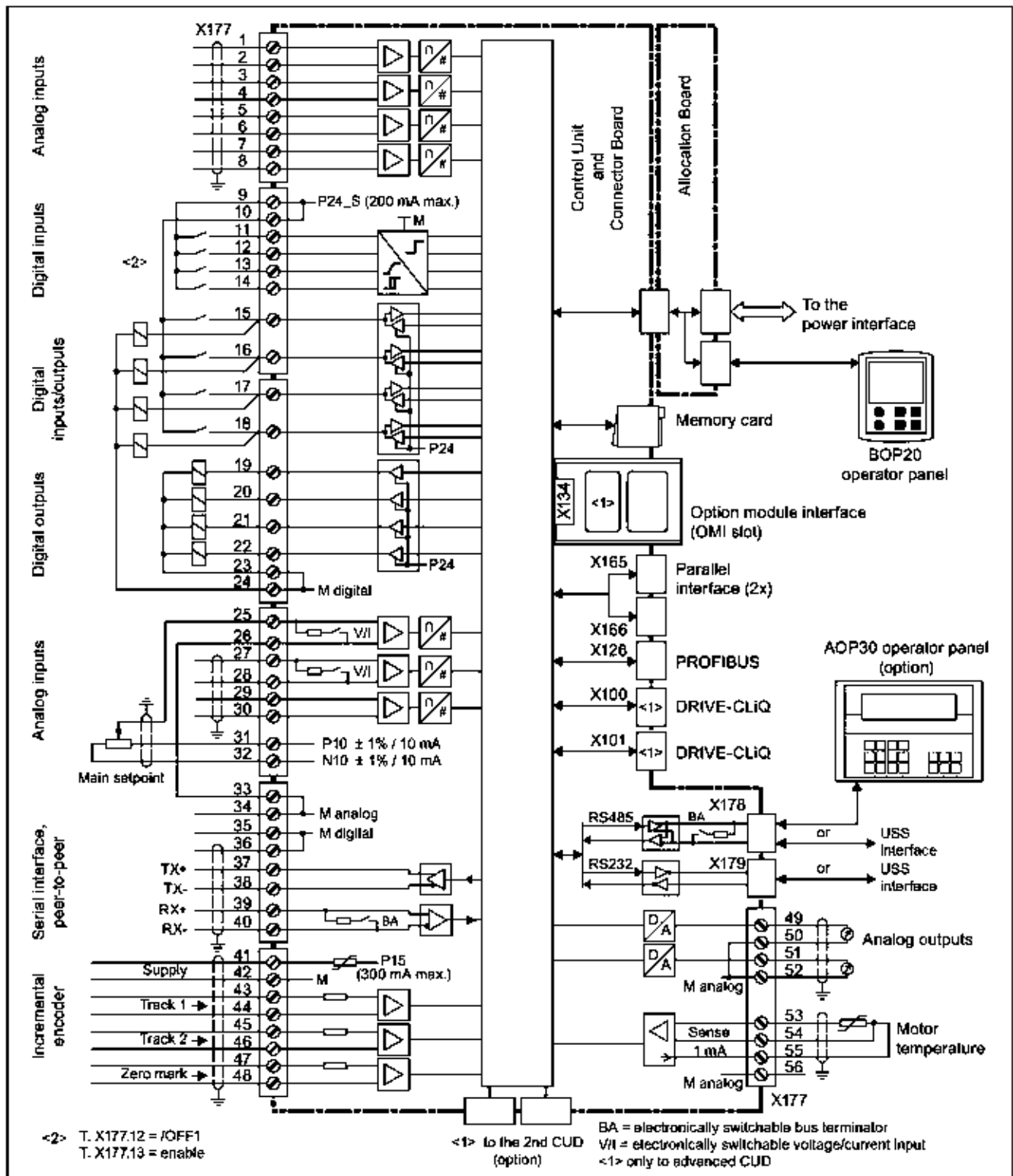
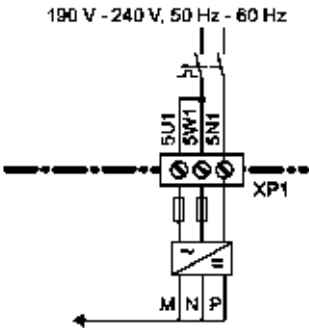
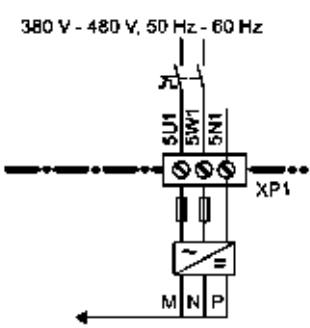
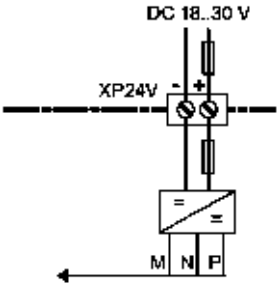


Figure 6-14 Open-loop/closed-loop control section block diagram

Connecting the electronic power supply

	
<p>1-ph. AC electronic power supply Devices with "Power interface with AC electronic power supply"</p>	<p>2-ph. AC electronic power supply Devices with "Power interface with AC electronic power supply"</p>

With option L05

	
<p>Electronic power supply for connection to DC devices with "Power interface with DC electronic power supply"</p>	

Note

During a data save operation initiated by the user, the electronics power supply for the SINAMICS DC MASTER must not be interrupted.

An active saving process is indicated by the following actions:

- The RDY LED flashes (see the "Description of functions" chapter, "Description of the LEDs on the CUD" section)
- The BOP20 flashes

Interrupting the power supply while saving can lead to the loss of the current device parameter assignments. Also refer to the "Operation" chapter, "Memory card functions" section.

15 to 30 A devices

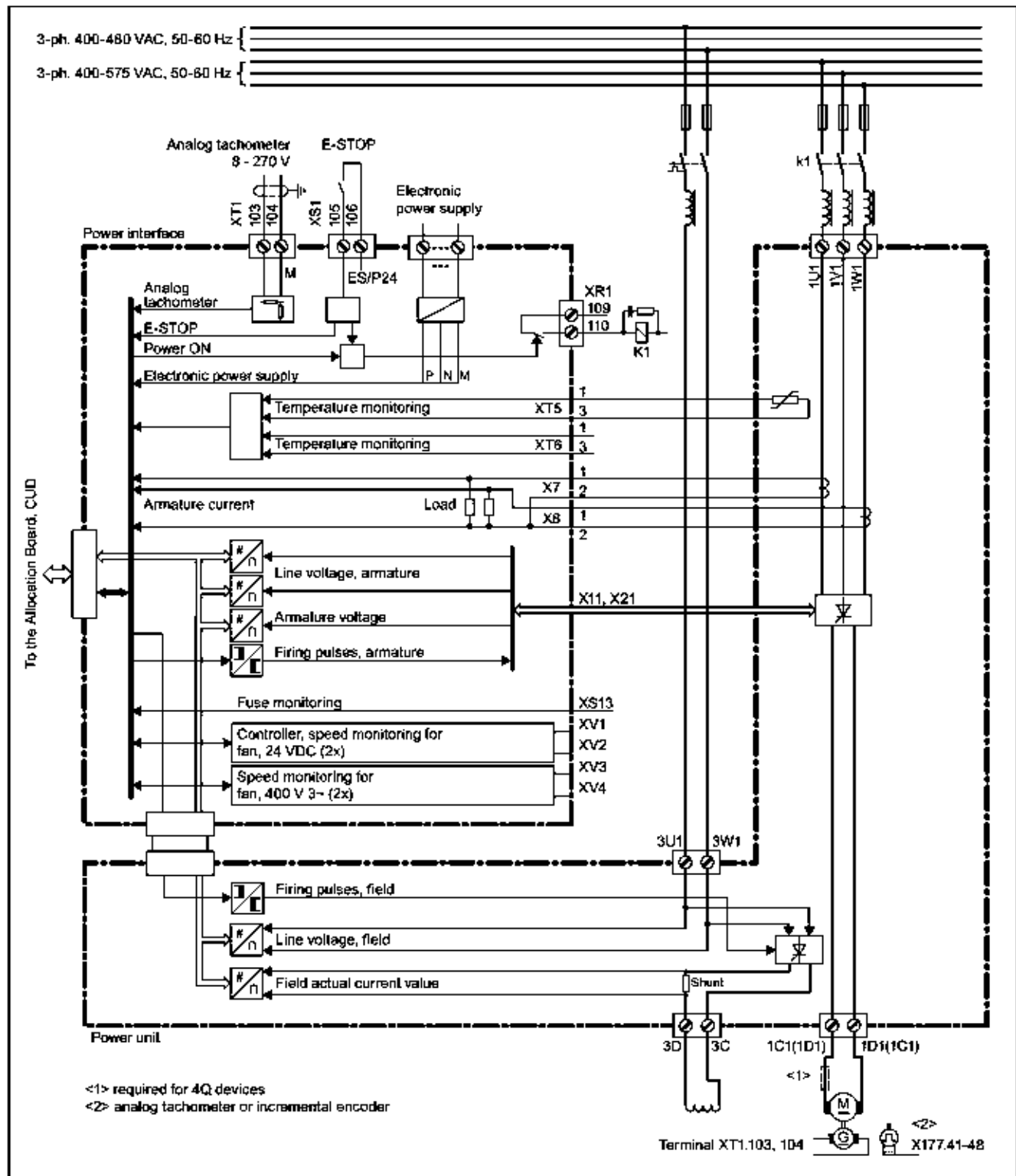


Figure 6-15 Block diagram for 15 to 30 A devices

60 to 125 A devices

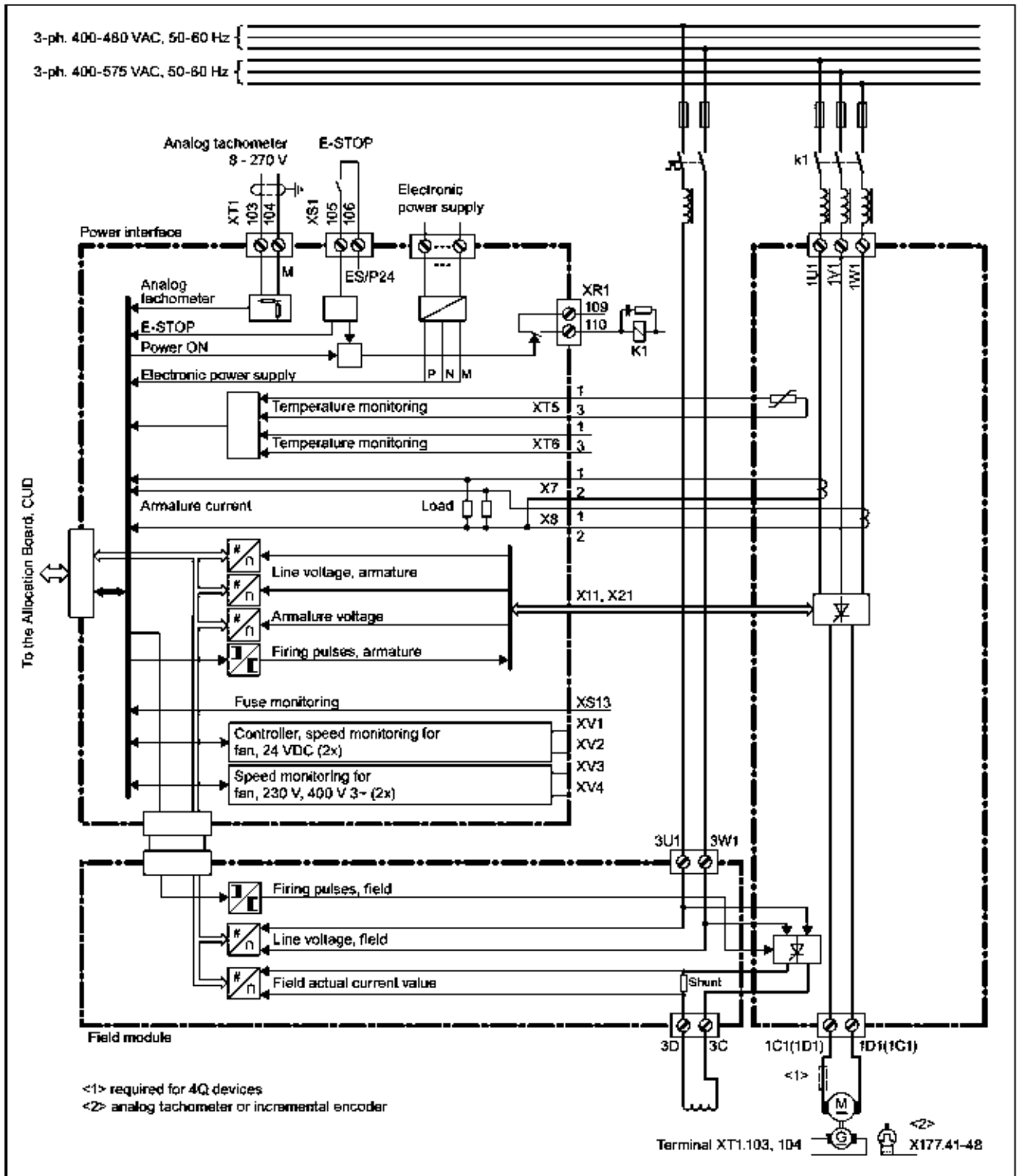


Figure 6-16 Block diagram for 60 to 125 A devices

210 to 280 A devices

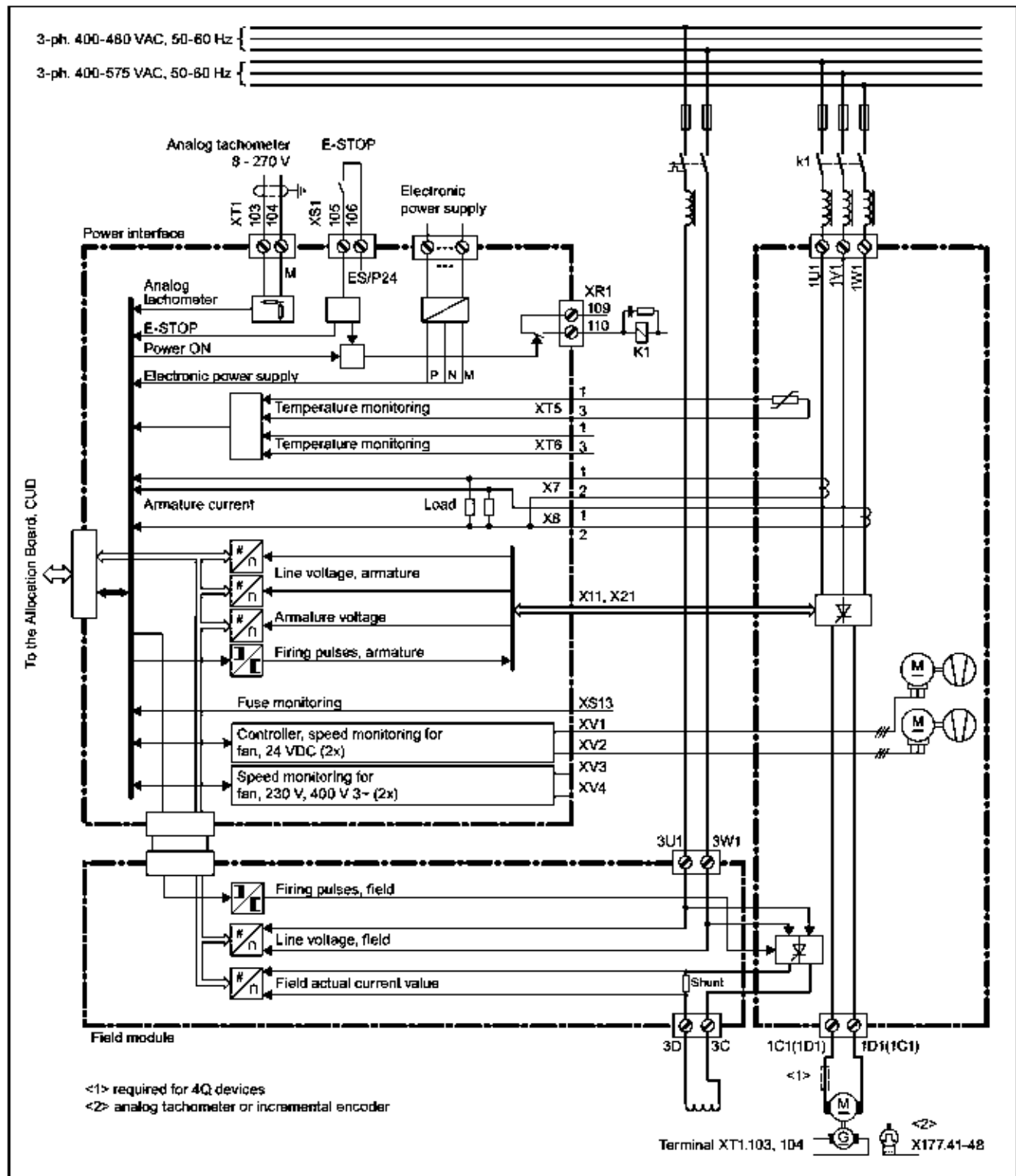


Figure 6-17 Block diagram for 210 to 280 A devices

400 to 3000 A devices, 3-phase fan connection

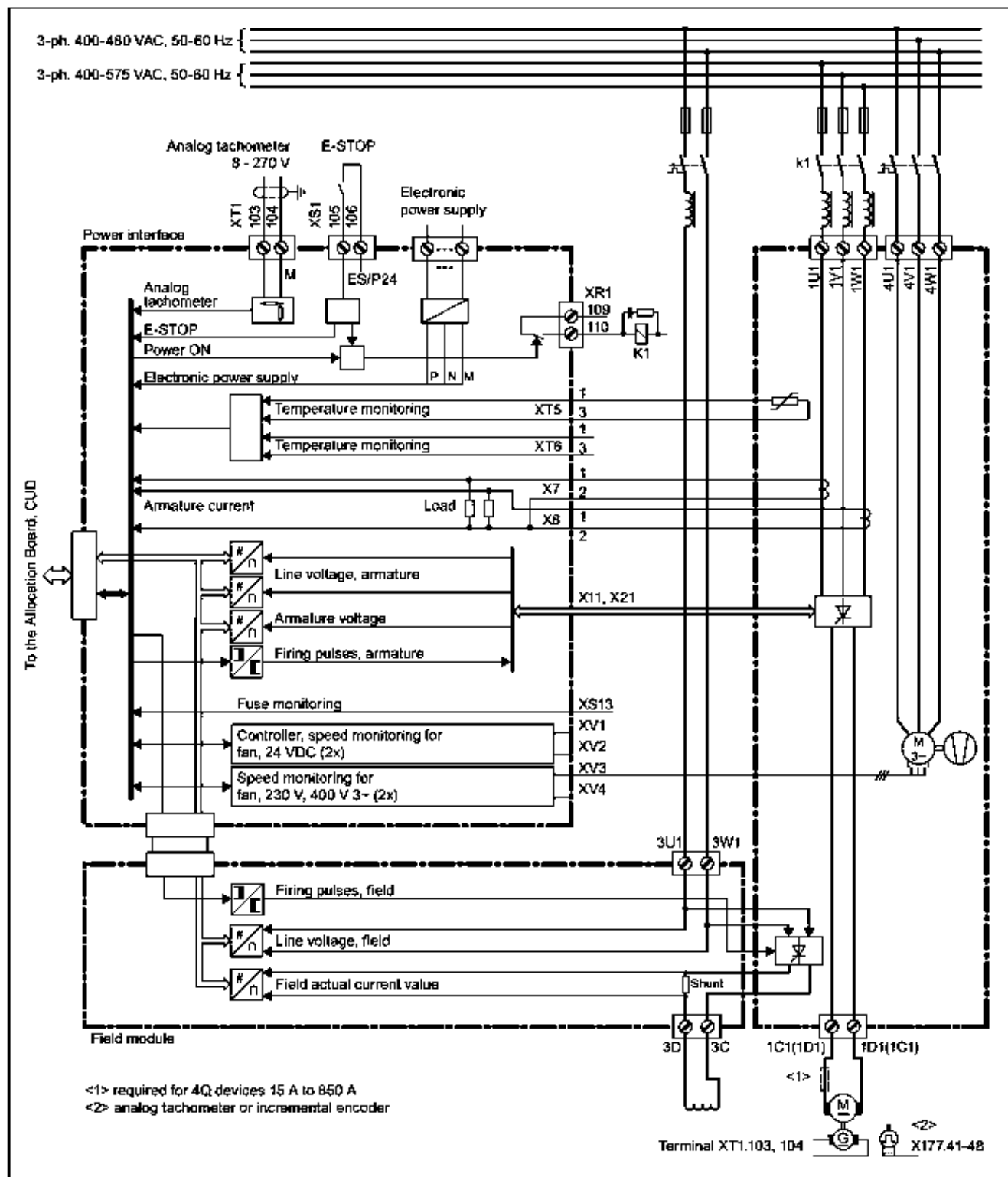


Figure 6-18 Block diagram for 400 to 3000 A devices, 3-phase fan connection

400 to 1200 A devices, with option L21, 1-phase fan connection

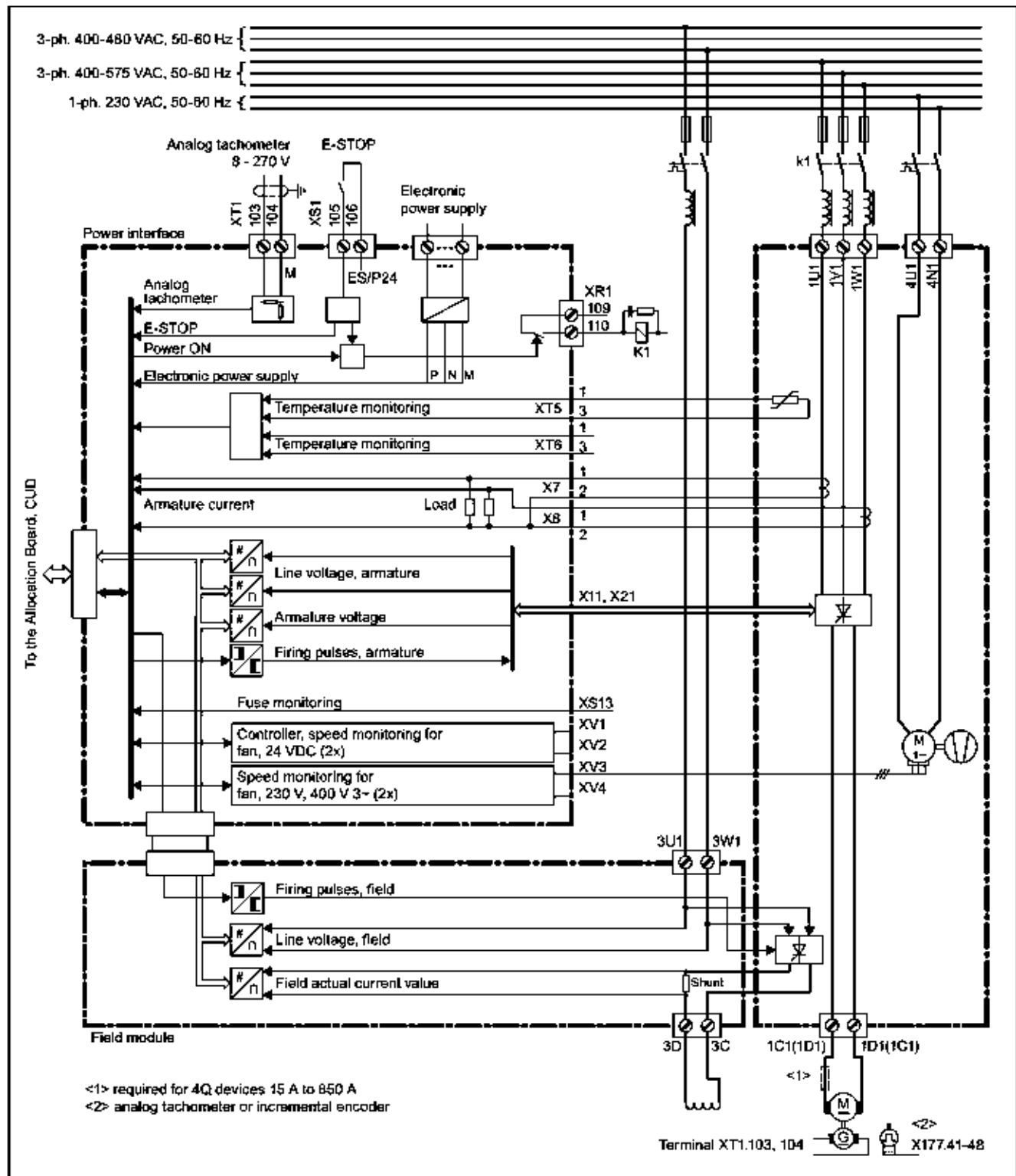


Figure 6-19 Block diagram for 400 to 1200 A devices, 1-phase fan connection

For 15 A to 125 A, the following applies:

The fuses are not integrated in the device. The externally required semiconductor fuses 1NE1... are also suitable for the conductor protection.

For 210 A to 850 A, the following applies:

The fuses are not integrated in the device. The externally required semiconductor fuses are **not** suitable for the conductor protection. Fuses for the conductor protection must be provided separately.

For 900 A to 3000 A, the following applies:

The required semiconductor fuses are integrated in the device and external fuses must be provided for the conductor protection.

6.4 Power connections

Explanations for the connection diagrams

- G Gate cables ⇒ yellow
- K Cathode cables ⇒ red
- a Copper/aluminum busbar
- b Copper/aluminum busbar
- c Raychem 44A0311-20-9

Firing cables (G, K):

In units with a rated armature supply voltage of < 690 V:

Betatherm 145, 0.5 mm², UL

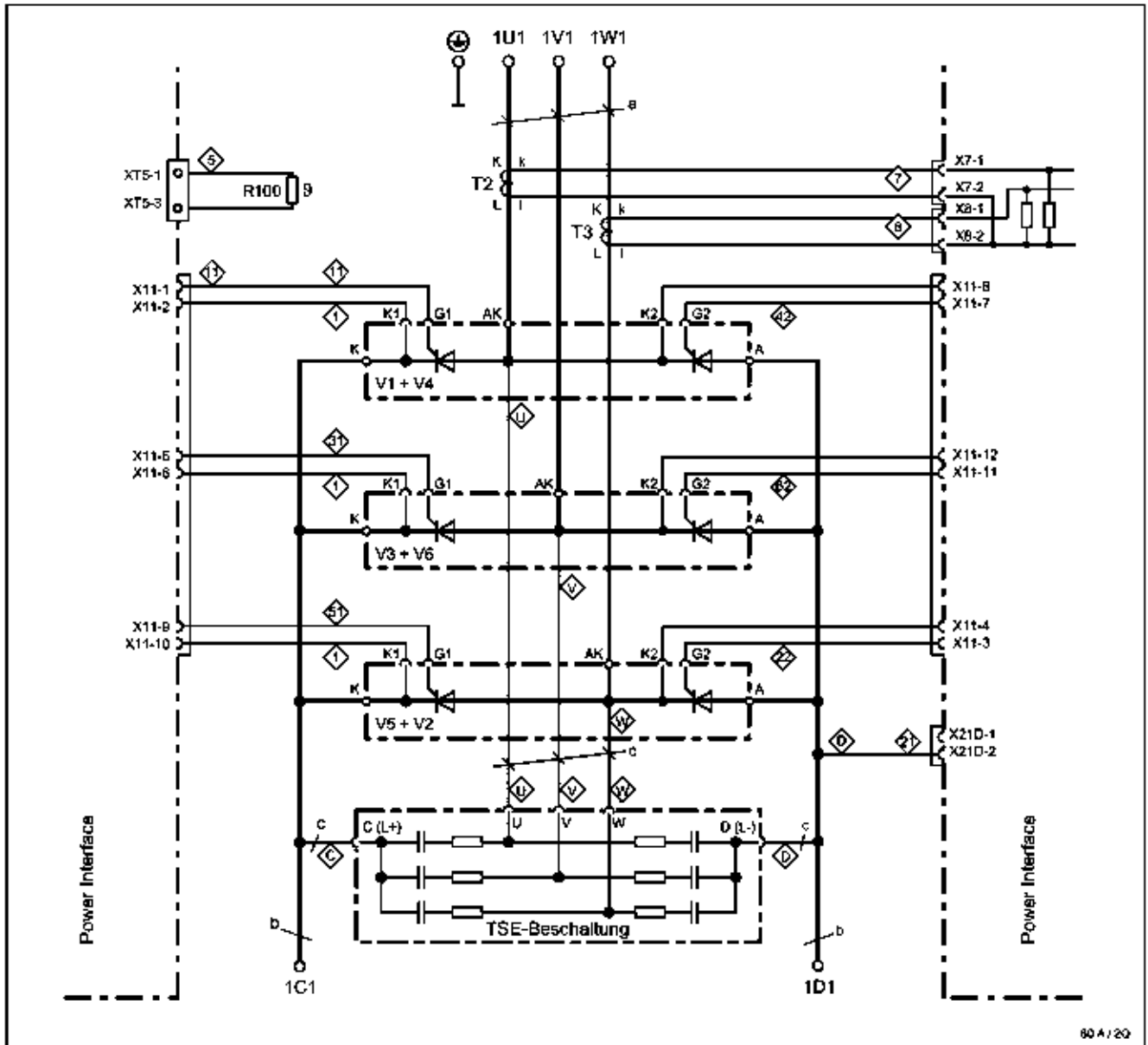
In units with a rated armature supply voltage of ≥ 690 V:

Radox 125, 0.75 mm²

- ◇ Cable ends are marked with their specified designation.

60 A/2Q units

6RA8025-6DS22-0AA0, 6RA8025-6FS22-0AA0, 6RA8025-6GS22-0AA0

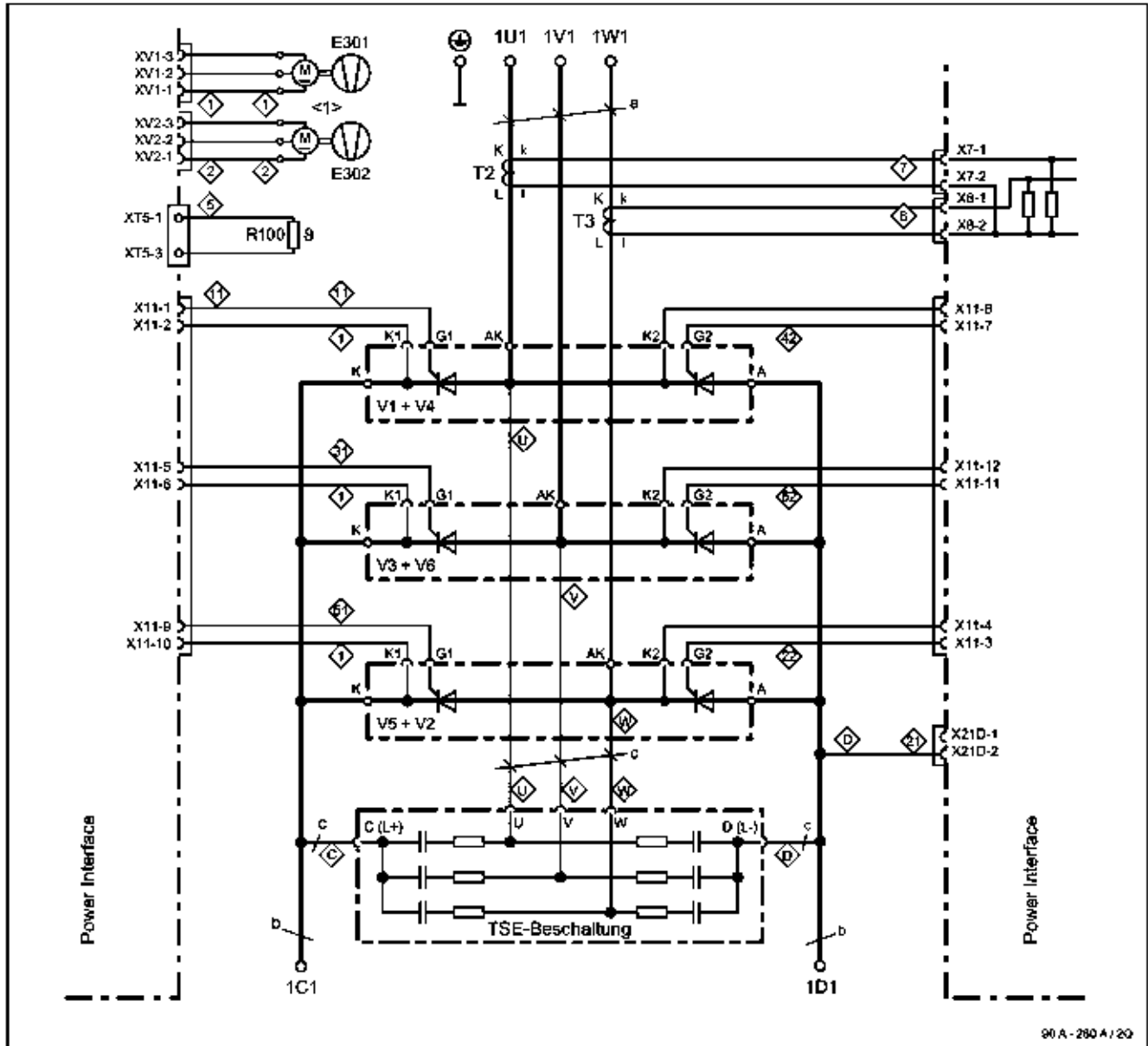


a = 20 x 3 mm, b = 20 x 5 mm

Figure 6-20 Power connections for 60 A/2Q units

90 to 280 A/2Q units

6RA8028-6DS22-0AA0, 6RA8028-6FS22-0AA0, 6RA8031-6DS22-0AA0,
 6RA8031-6FS22-0AA0, 6RA8031-6GS22-0AA0, 6RA8075-6DS22-0AA0,
 6RA8075-6FS22-0AA0, 6RA8075-6GS22-0AA0, 6RA8078-6DS22-0AA0,
 6RA8078-6FS22-0AA0,



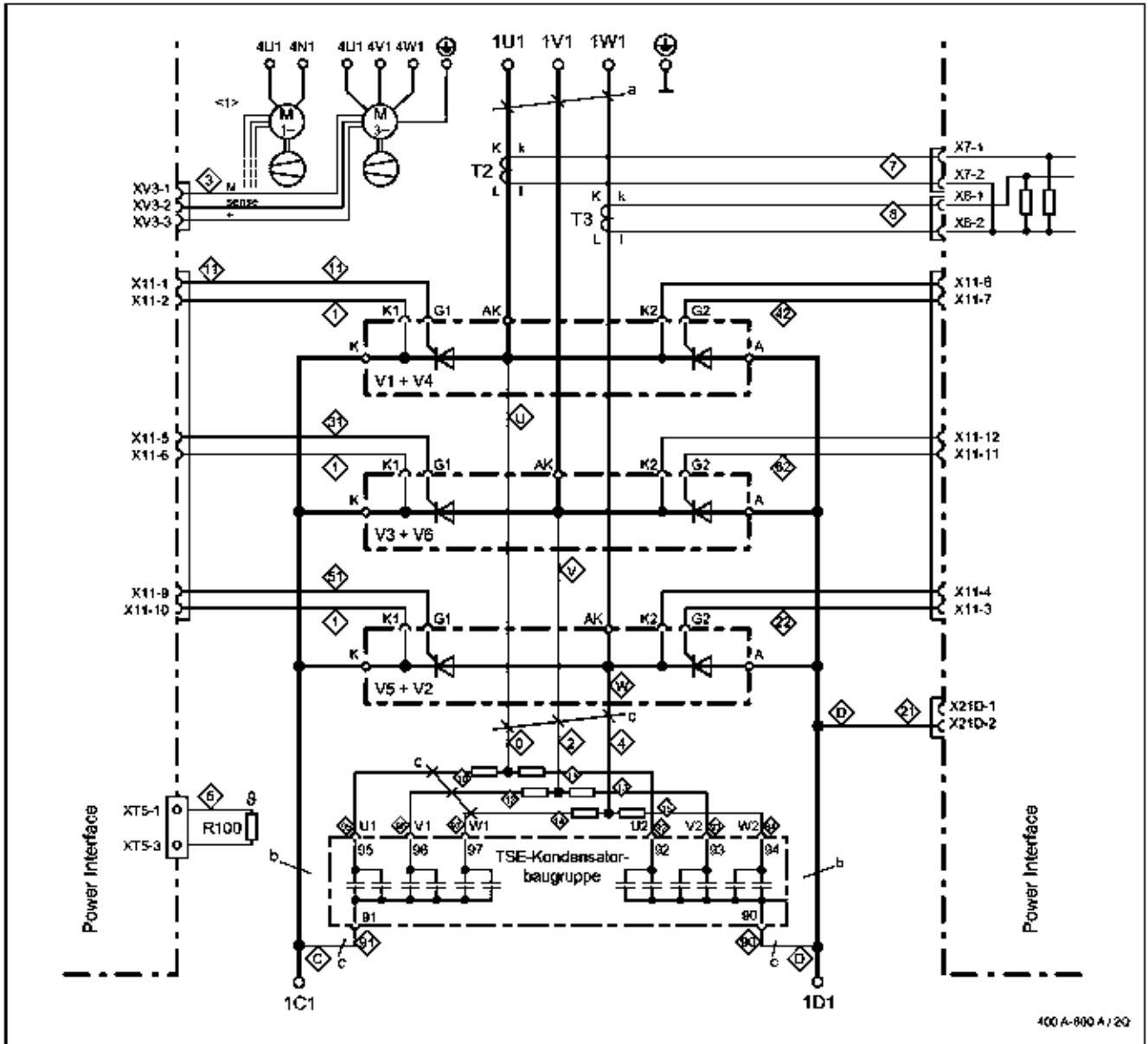
<1> Fan configuration for units of 210 A and above

a = 20 x 3 mm, b = 20 x 5 mm

Figure 6-21 Power connections for 90 to 280 A/2Q units

400 to 600 A/2Q units

6RA8081-6DS22-0AA0, 6RA8081-6GS22-0AA0, 6RA8082-6FS22-0AA0,
6RA8085-6DS22-0AA0, 6RA8085-6FS22-0AA0, 6RA8085-6GS22-0AA0



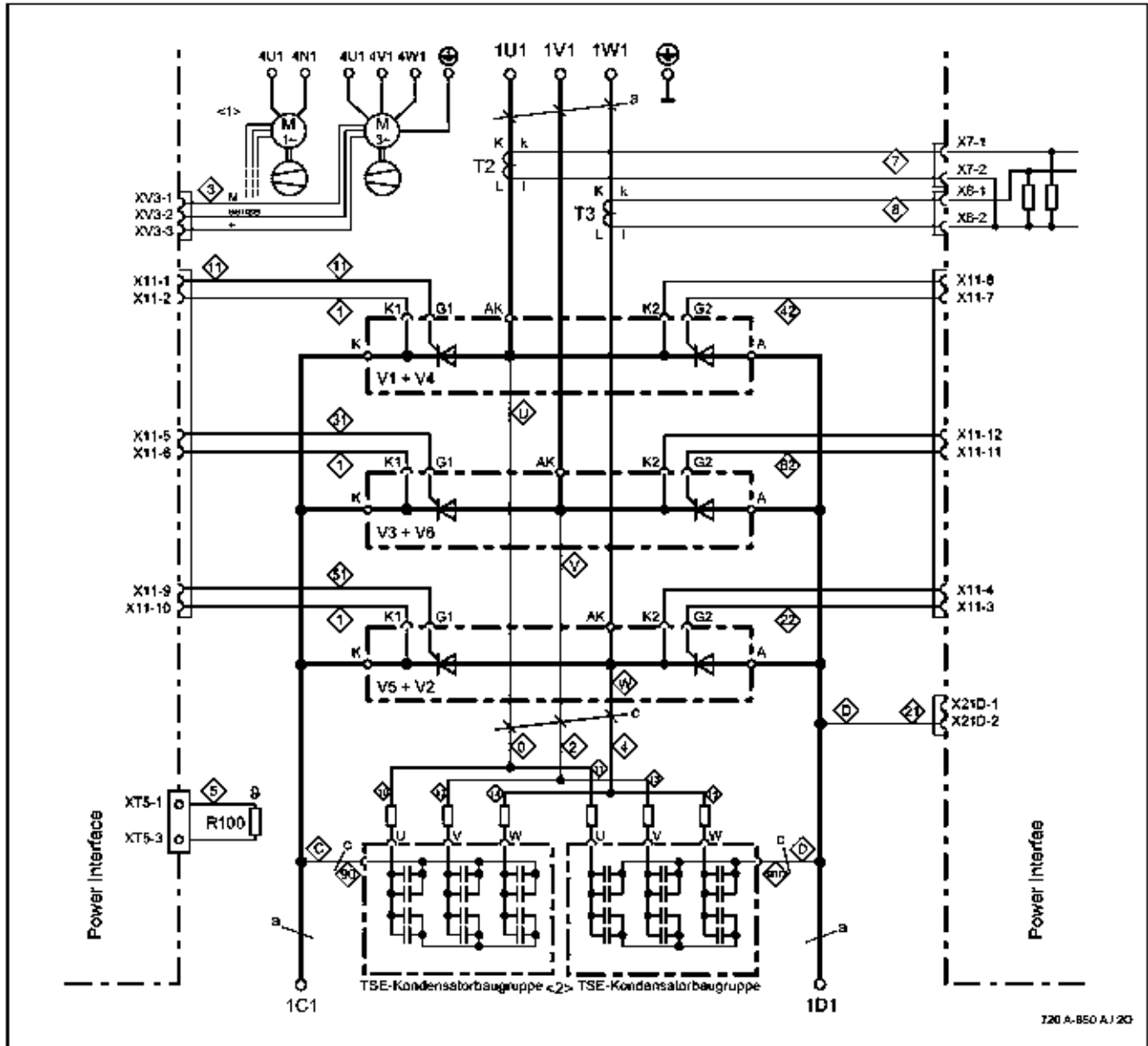
<1> Fan with single-phase connection for units with option L21

a = 30 x 5 mm, b = 35 x 5 mm

Figure 6-22 Power connections for 400 to 600 A/2Q units

720 to 850 A / 2Q devices

6RA8086-6KS22-0AA0, 6RA8087-6DS22-0AA0, 6RA8087-6FS22-0AA0,
6RA8087-6GS22-0AA0



a = 60 x 5 mm

<1> Fan with single-phase connection for devices with option L21

<2> TSE capacitor module connections:

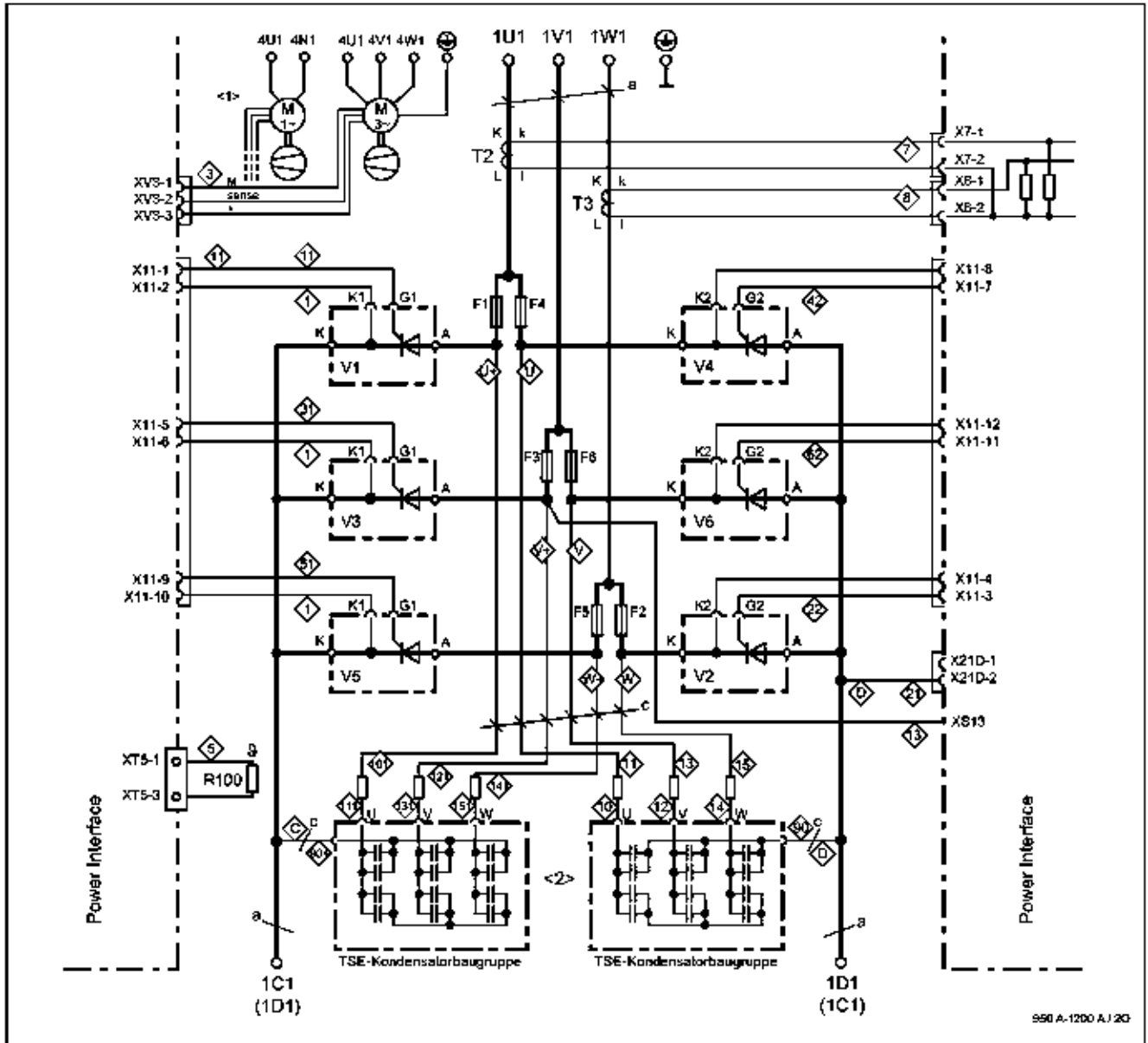
720 A devices: U = 91 V = 99 W = 98 C, D = 90

800 to 850 A devices: U = 92 V = 93 W = 94 C, D = 90

Figure 6-23 Power connections for 720 to 850 A / 2Q devices

900 to 1200 A / 2Q devices

6RA8088-6KS22-0AA0, 6RA8088-6LS22-0AA0, 6RA8090-6GS22-0AA0,
6RA8091-6DS22-0AA0, 6RA8091-6FS22-0AA0



a = 80 x 6 mm

<1> Fan with single-phase connection for devices with option L21

<2> TSE capacitor module connections:

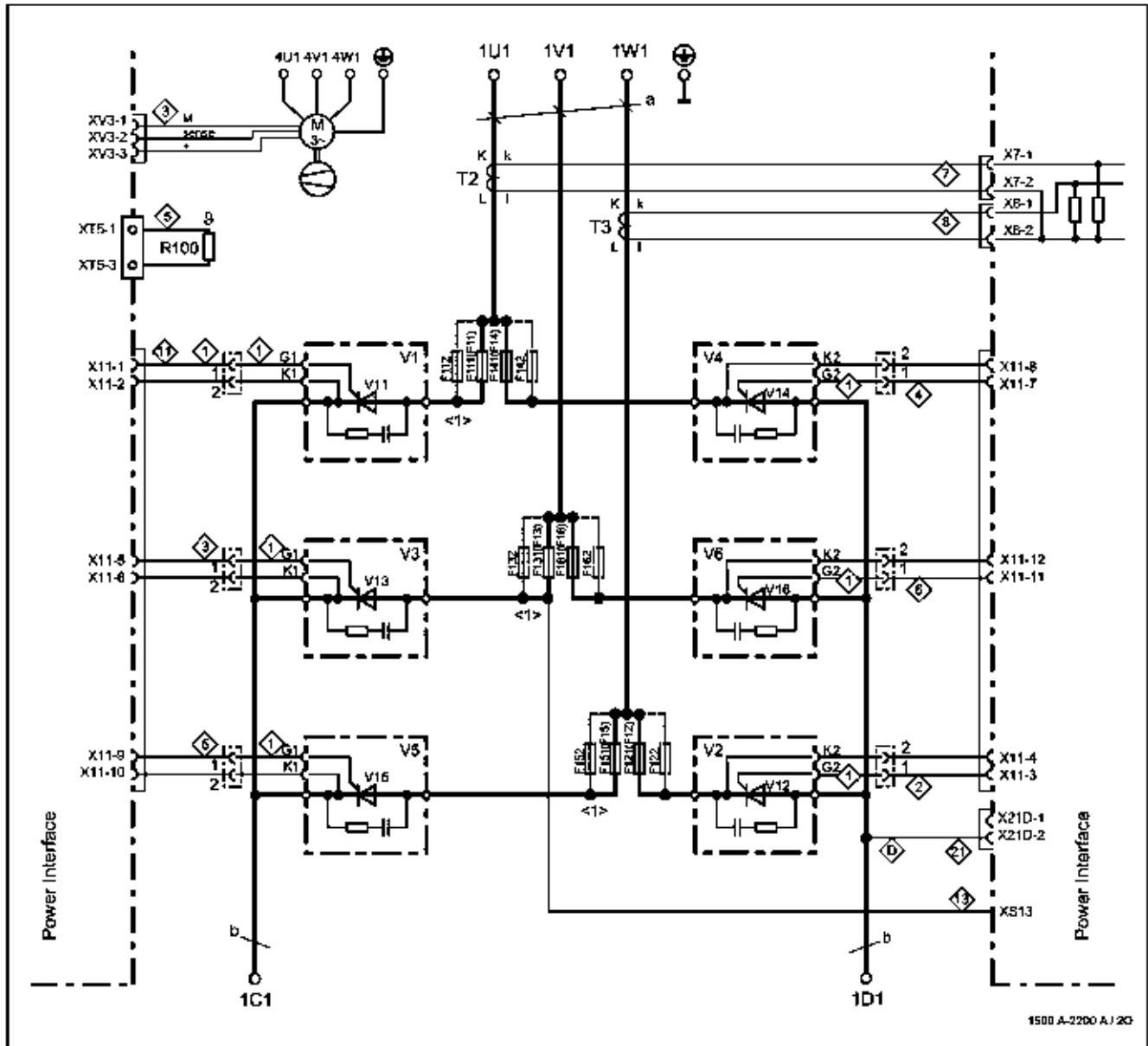
<1100 A devices: U = 91 V = 99 W = 98 C, D = 90

≥1100 A devices: U = 92 V = 93 W = 94 C, D = 90

Figure 6-24 Power connections for 900 to 1200 A / 2Q devices

1,500 to 2,000 A and 575 V/2,200 A/2Q units

6RA8093-4DS22-0AA0, 6RA8093-4GS22-0AA0, 6RA8093-4KS22-0AA0,
 6RA8093-4LS22-0AA0, 6RA8095-4DS22-0AA0, 6RA8095-4GS22-0AA0,
 6RA8095-4KS22-0AA0, 6RA8095-4LS22-0AA0, 6RA8096-4GS22-0AA0



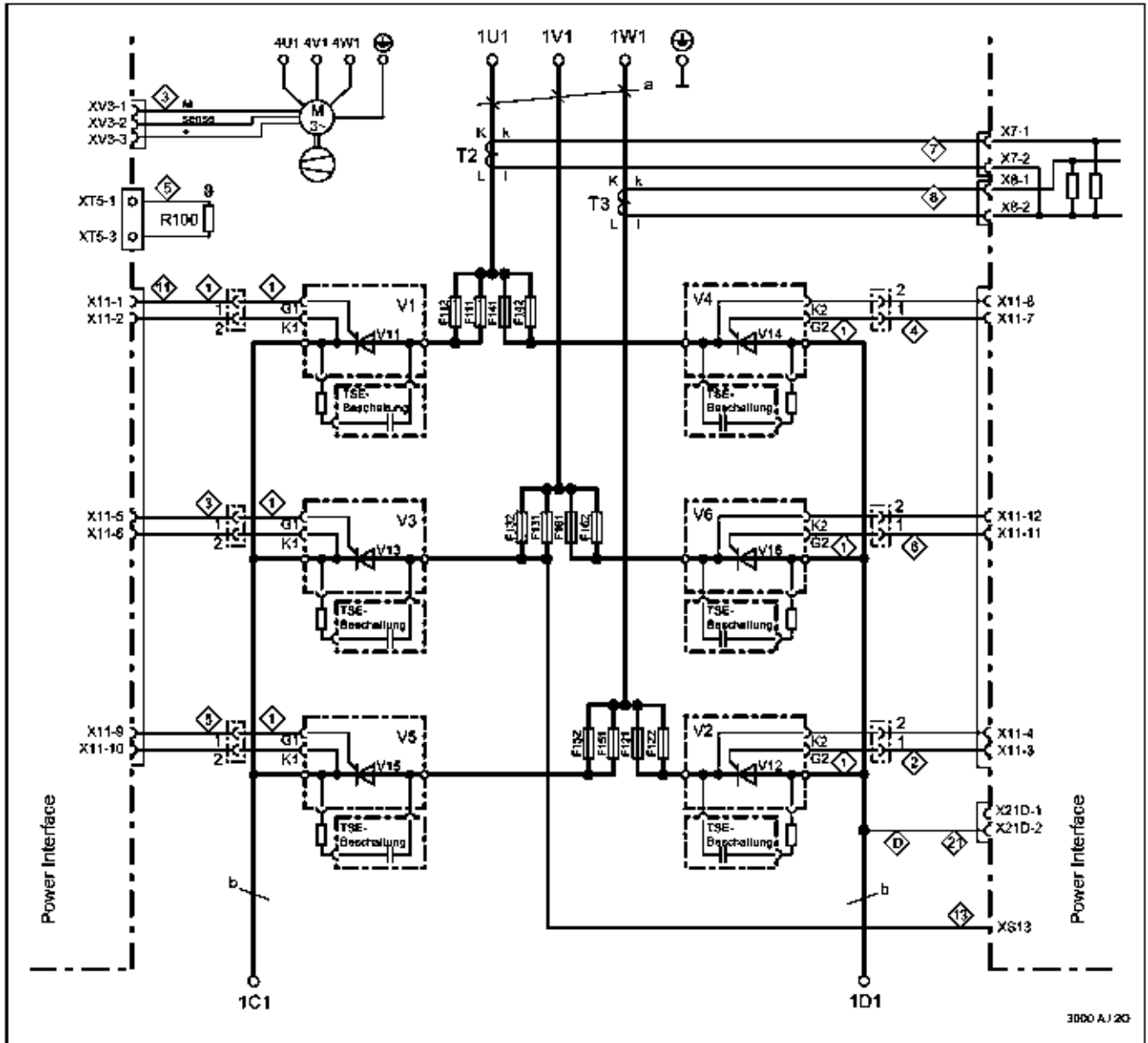
<1> For number of fuses, refer to the chapter "Fuses"

a = 120 x 10 mm, b = cross-section 60 x 10 mm / width 323 mm

Figure 6-25 Power connections for 1,500 to 2,000 A and 575 V/2,200 A/2Q units

400 V/3,000 A, 575 V/2,800 A, 690 V/2,600 A, 950 V/2,200 A/2Q units

6RA8096-4MS22-0AA0, 6RA8097-4GS22-0AA0, 6RA8097-4KS22-0AA0,
6RA8098-4DS22-0AA0



a = 120 x 10 mm, b = cross-section 60 x 10 mm / width 323 mm

Figure 6-26 Power connections for 2,200 to 3,000 A/2Q units

15 to 30 A/4Q units

6RA8013-6DV62-0AA0, 6RA8013-6FV62-0AA0, 6RA8018-6DV62-0AA0,
6RA8018-6FV62-0AA0

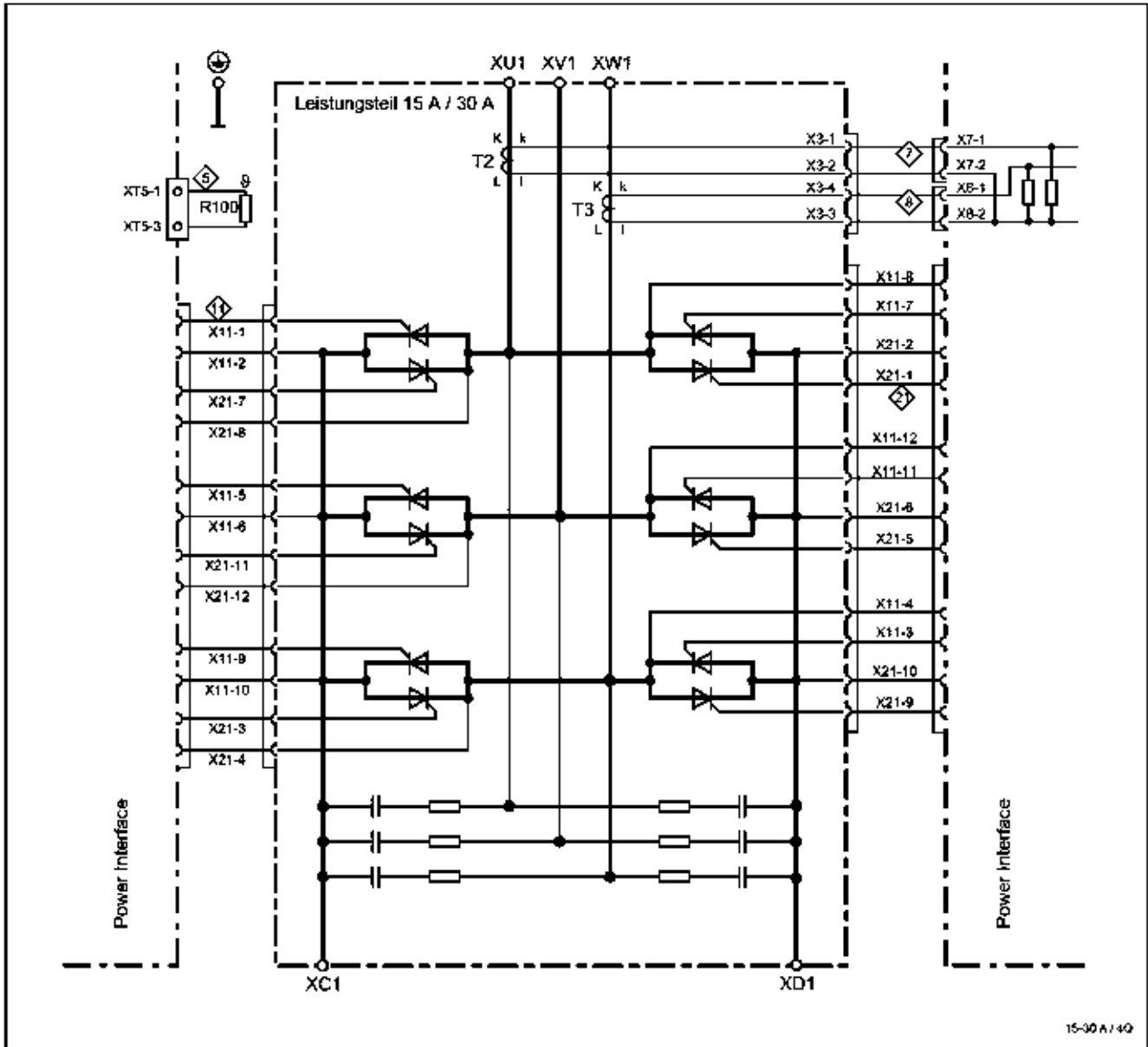
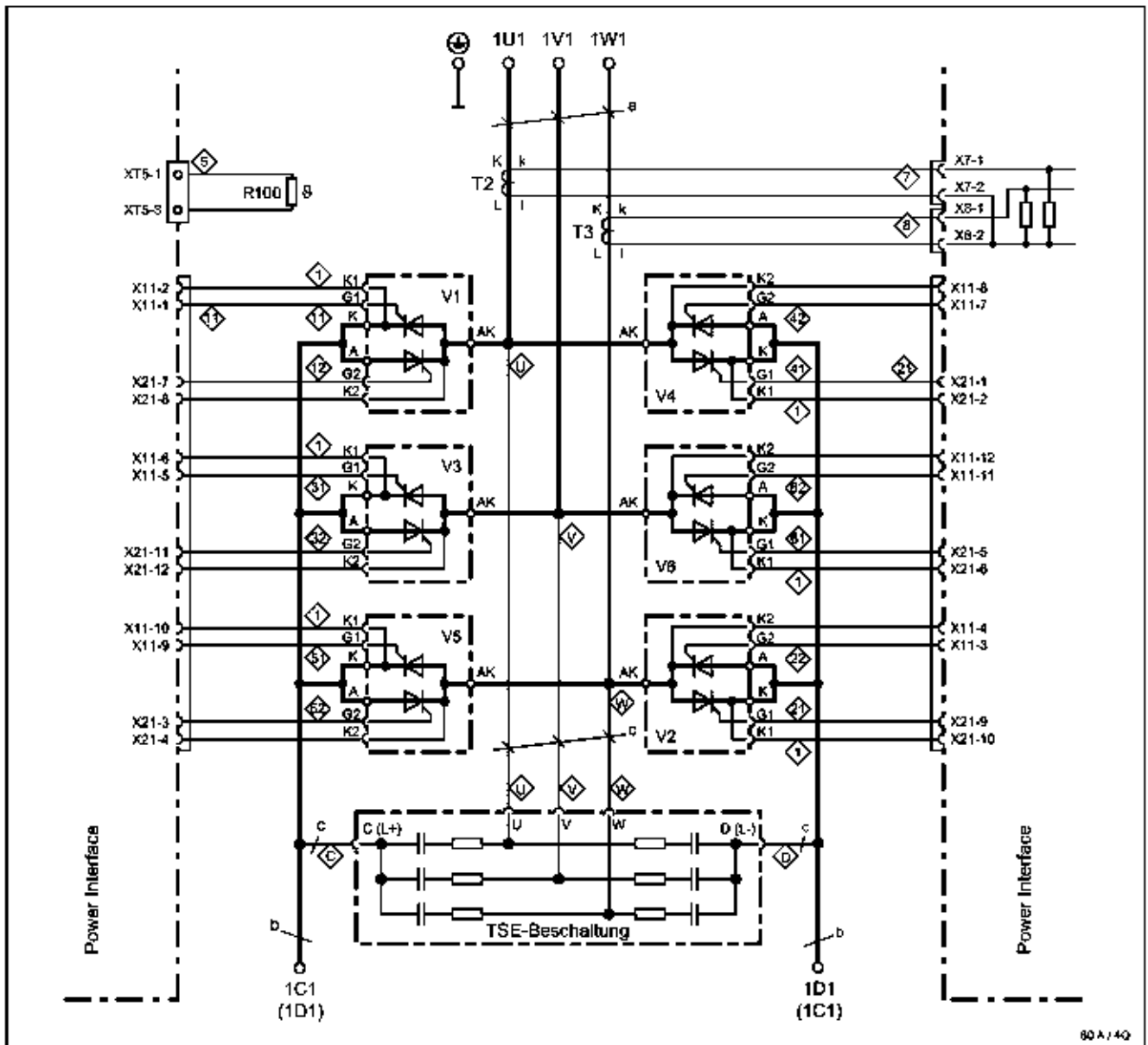


Figure 6-27 Power connections for 15 to 30 A/4Q units

60 A/4Q units

6RA8025-6DV62-0AA0, 6RA8025-6FV62-0AA0, 6RA8025-6GV62-0AA0

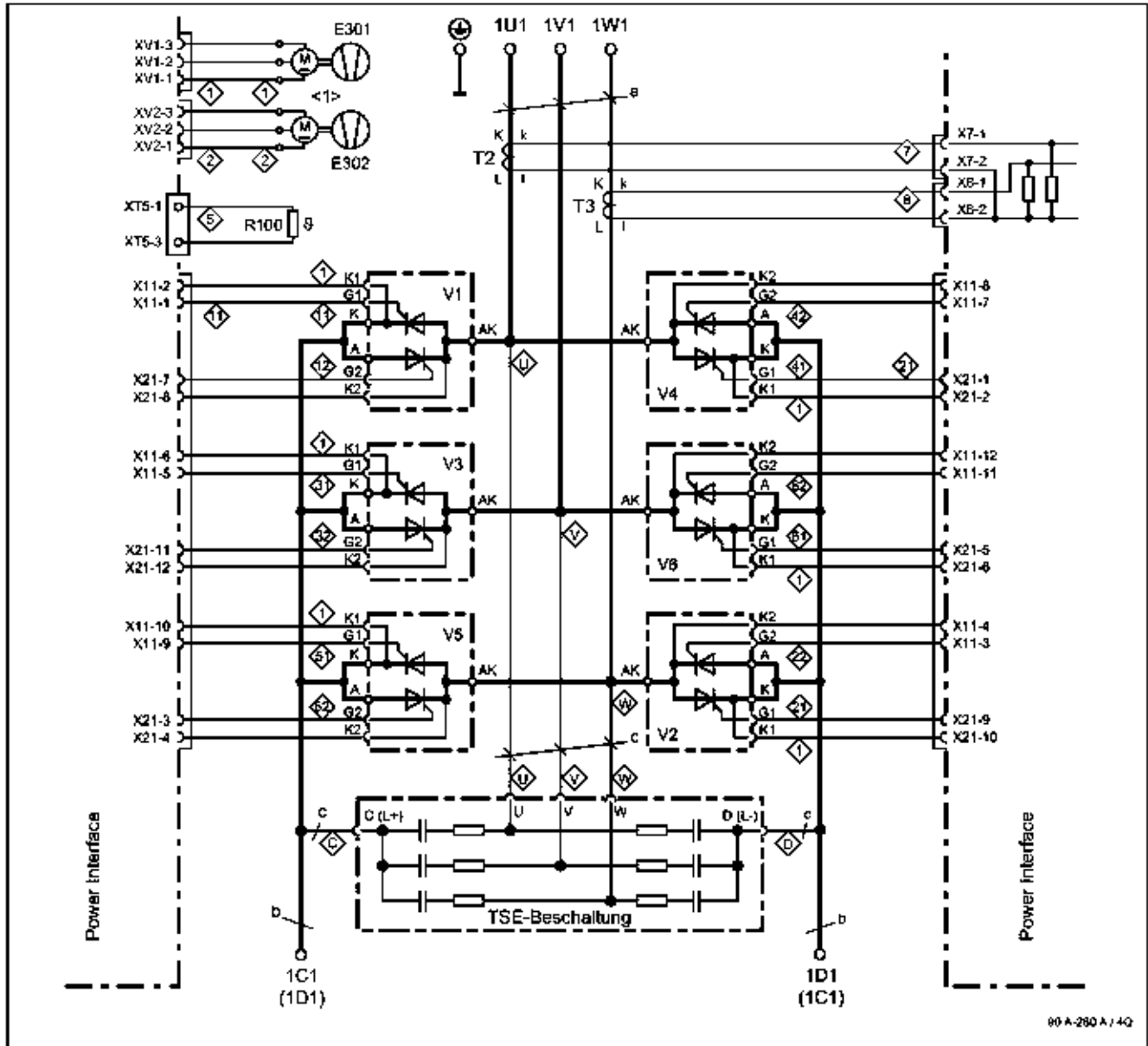


a = 20 x 3 mm, b = 20 x 5 mm

Figure 6-28 Power connections for 60 A/4Q units

90 to 280 A/4Q units

6RA8028-6DV62-0AA0, 6RA8028-6FV62-0AA0, 6RA8031-6DV62-0AA0,
 6RA8031-6FV62-0AA0, 6RA8031-6GV62-0AA0, 6RA8075-6DV62-0AA0,
 6RA8075-6FV62-0AA0, 6RA8075-6GV62-0AA0, 6RA8078-6DV62-0AA0,
 6RA8078-6FV62-0AA0,



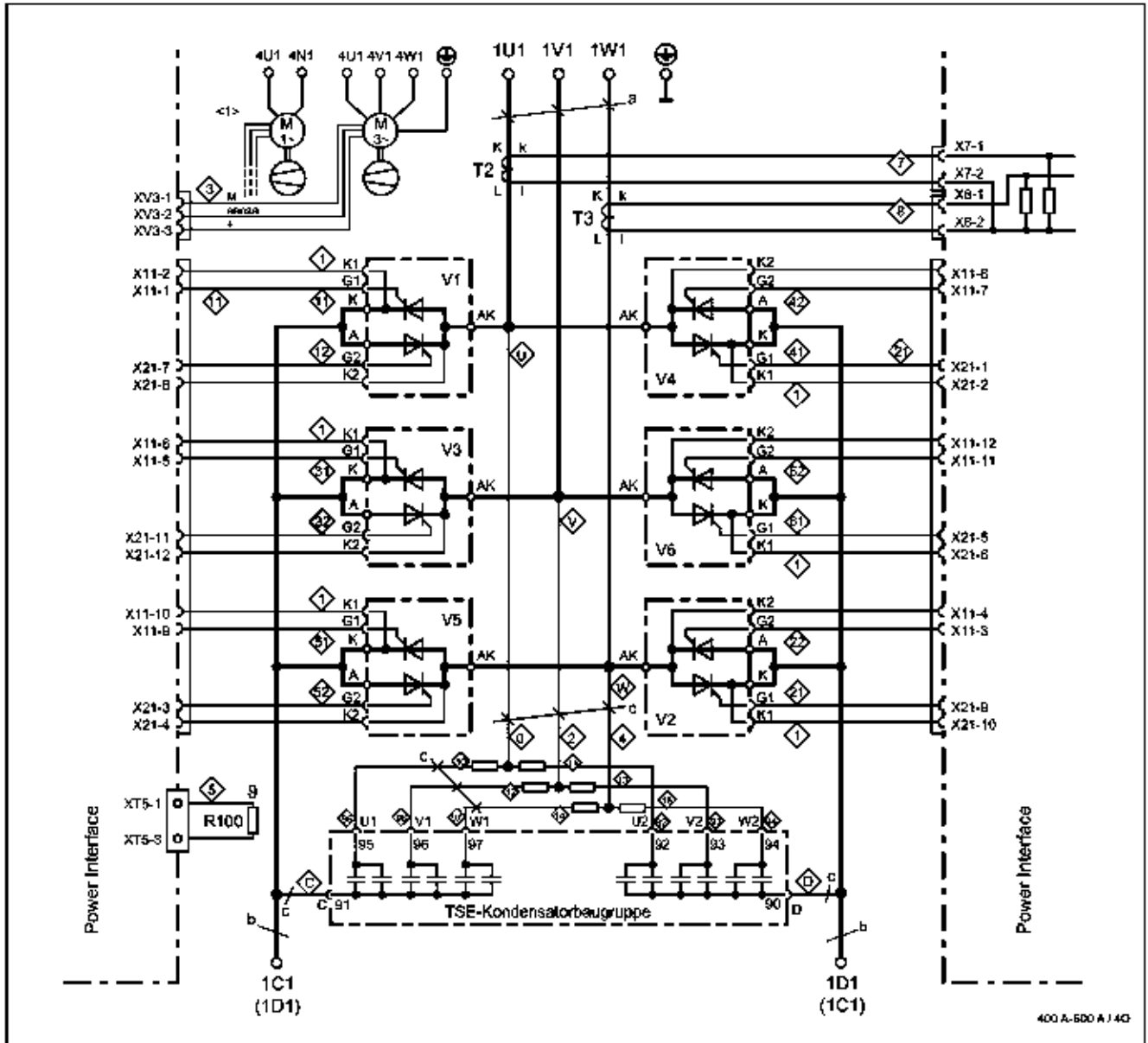
<1> Fan configuration for units of 210 A and above

a = 20 x 3 mm, b = 20 x 5 mm

Figure 6-29 Power connections for 90 to 280 A/4Q units

400 to 600 A/4Q units

6RA8081-6DV62-0AA0, 6RA8081-6GV62-0AA0, 6RA8082-6FV62-0AA0,
6RA8085-6DV62-0AA0, 6RA8085-6FV62-0AA0, 6RA8085-6GV62-0AA0



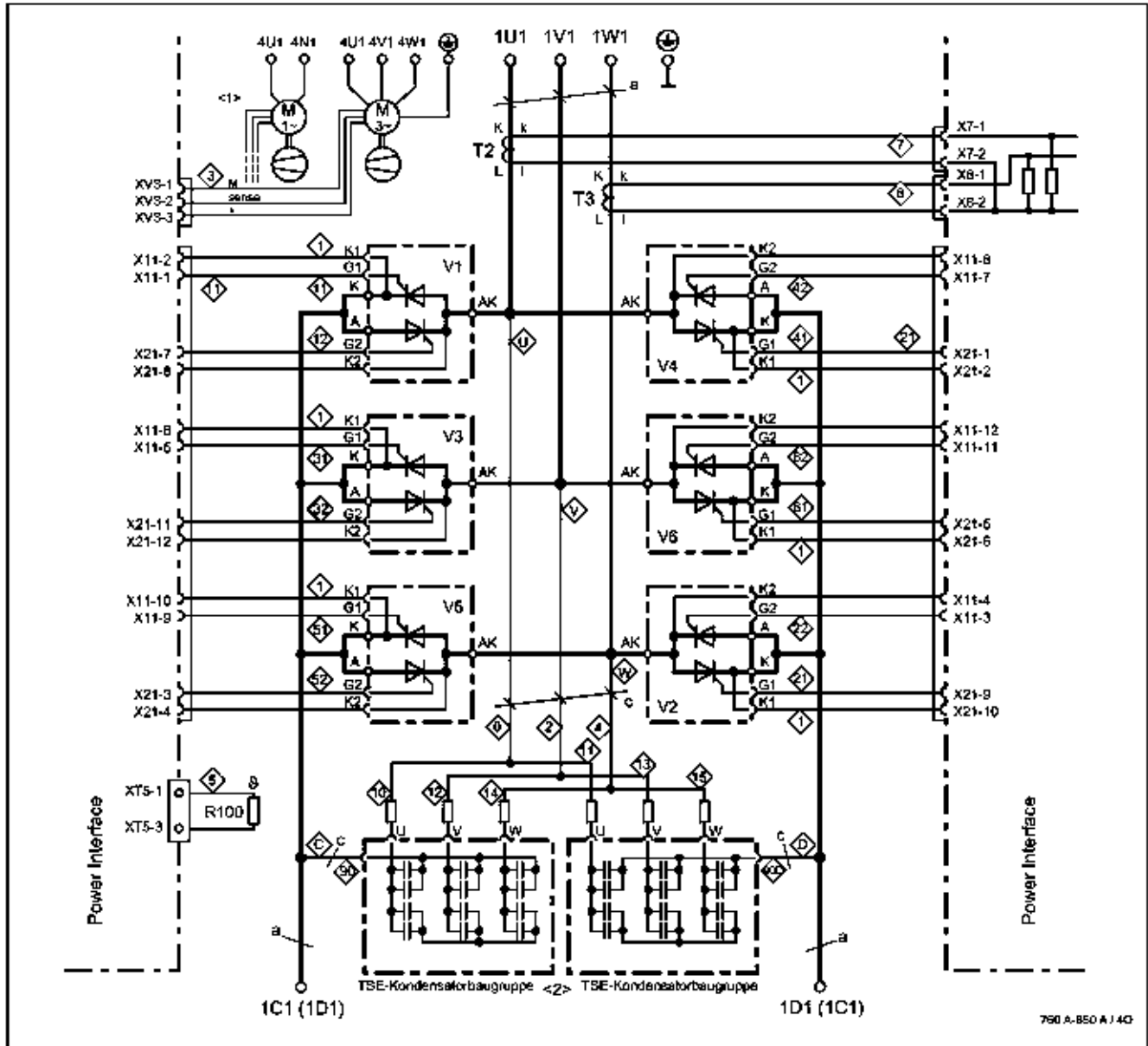
<1> Fan with single-phase connection for units with option L21

a = 30 x 5 mm, b = 35 x 5 mm

Figure 6-30 Power connections for 400 to 600 A/4Q units

760 to 850 A / 4Q devices

6RA8086-6KV62-0AA0, 6RA8087-6DV62-0AA0, 6RA8087-6FV62-0AA0,
6RA8087-6GV62-0AA0,



a = 60 x 5 mm

<1> Fan with single-phase connection for devices with option L21

<2> TSE capacitor module connections:

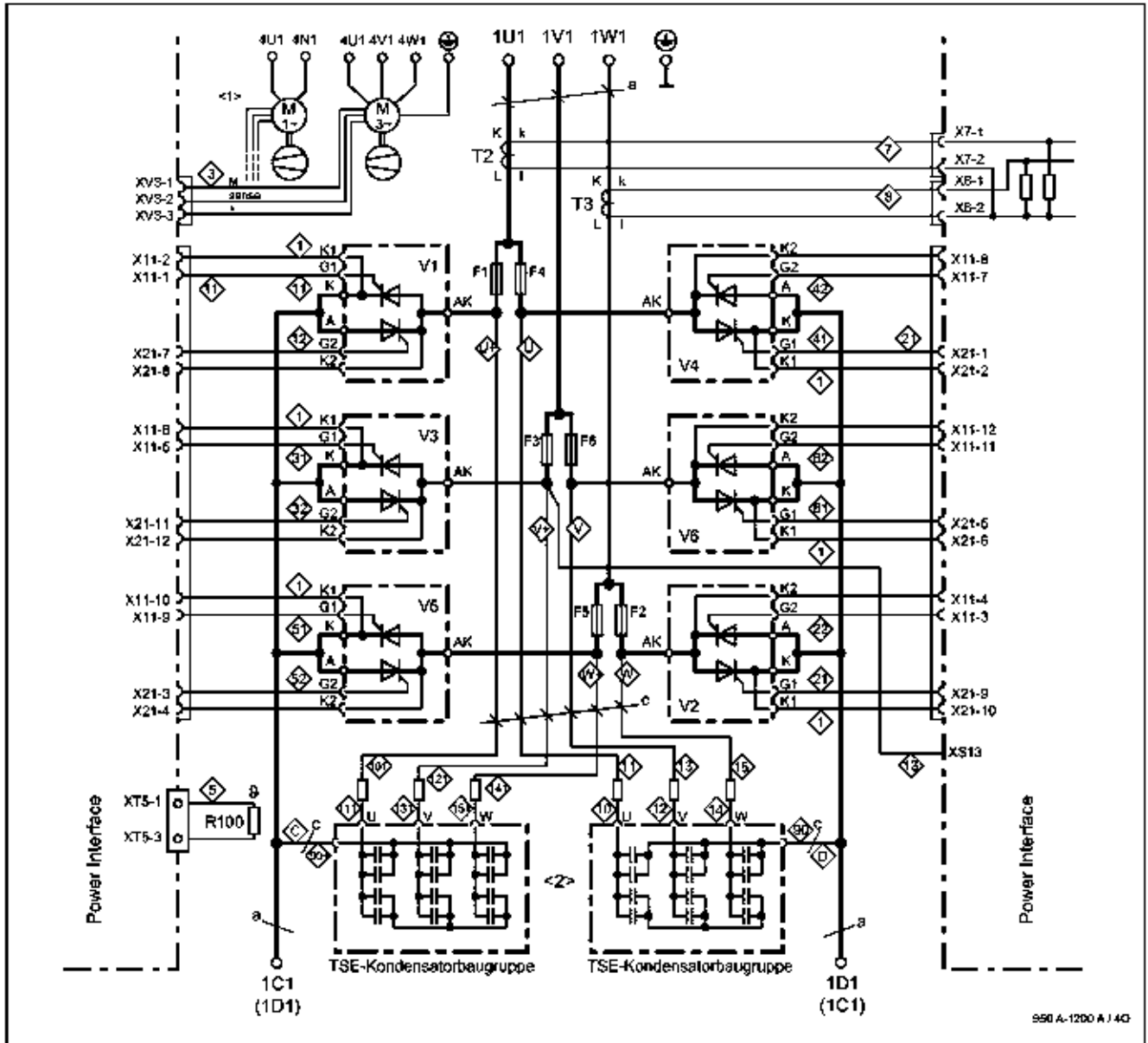
760 A devices: U = 91 V = 99 W = 98 C, D = 90

850 A devices: U = 92 V = 93 W = 94 C, D = 90

Figure 6-31 Power connections for 760 to 850 A / 4Q devices

900 to 1200 A / 4Q devices

6RA8088-6LV62-0AA0, 6RA8090-6GV62-0AA0, 6RA8090-6KV62-0AA0,
6RA8091-6DV62-0AA0, 6RA8091-6FV62-0AA0



a = 80 x 6 mm

<1> Fan with single-phase connection for devices with option L21

<2> TSE capacitor module connections:

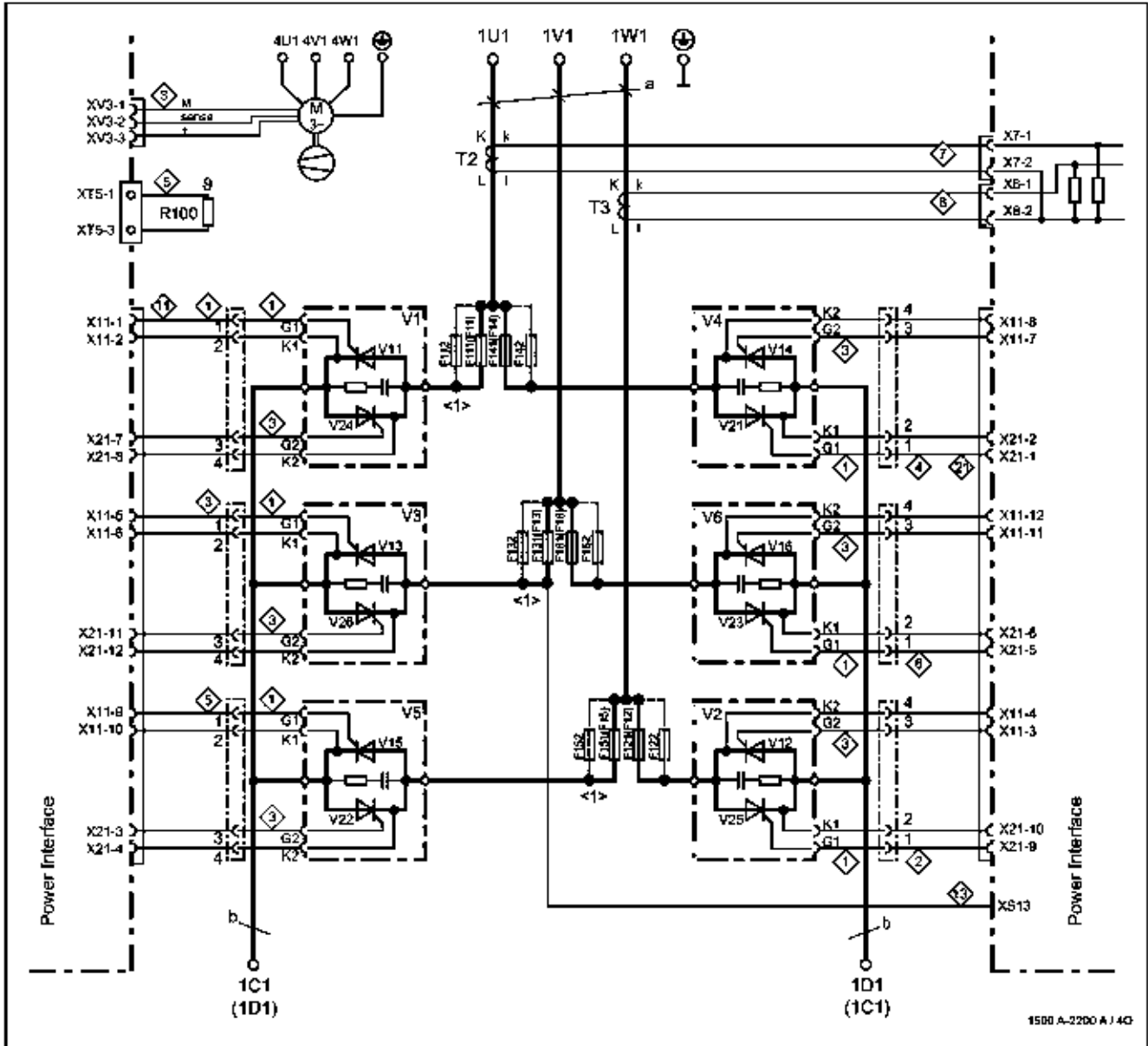
<1100 A devices: U = 91 V = 99 W = 98 C, D = 90

≥1100 A devices: U = 92 V = 93 W = 94 C, D = 90

Figure 6-32 Power connections for 900 to 1200 A / 4Q devices

1,500 to 2,000 A and 575 V/2,200 A/4Q units

6RA8093-4DV62-0AA0, 6RA8093-4GV62-0AA0, 6RA8093-4KV62-0AA0,
 6RA8093-4LV62-0AA0, 6RA8095-4DV62-0AA0, 6RA8095-4GV62-0AA0,
 6RA8095-4KV62-0AA0, 6RA8095-4LV62-0AA0, 6RA8096-4GV62-0AA0



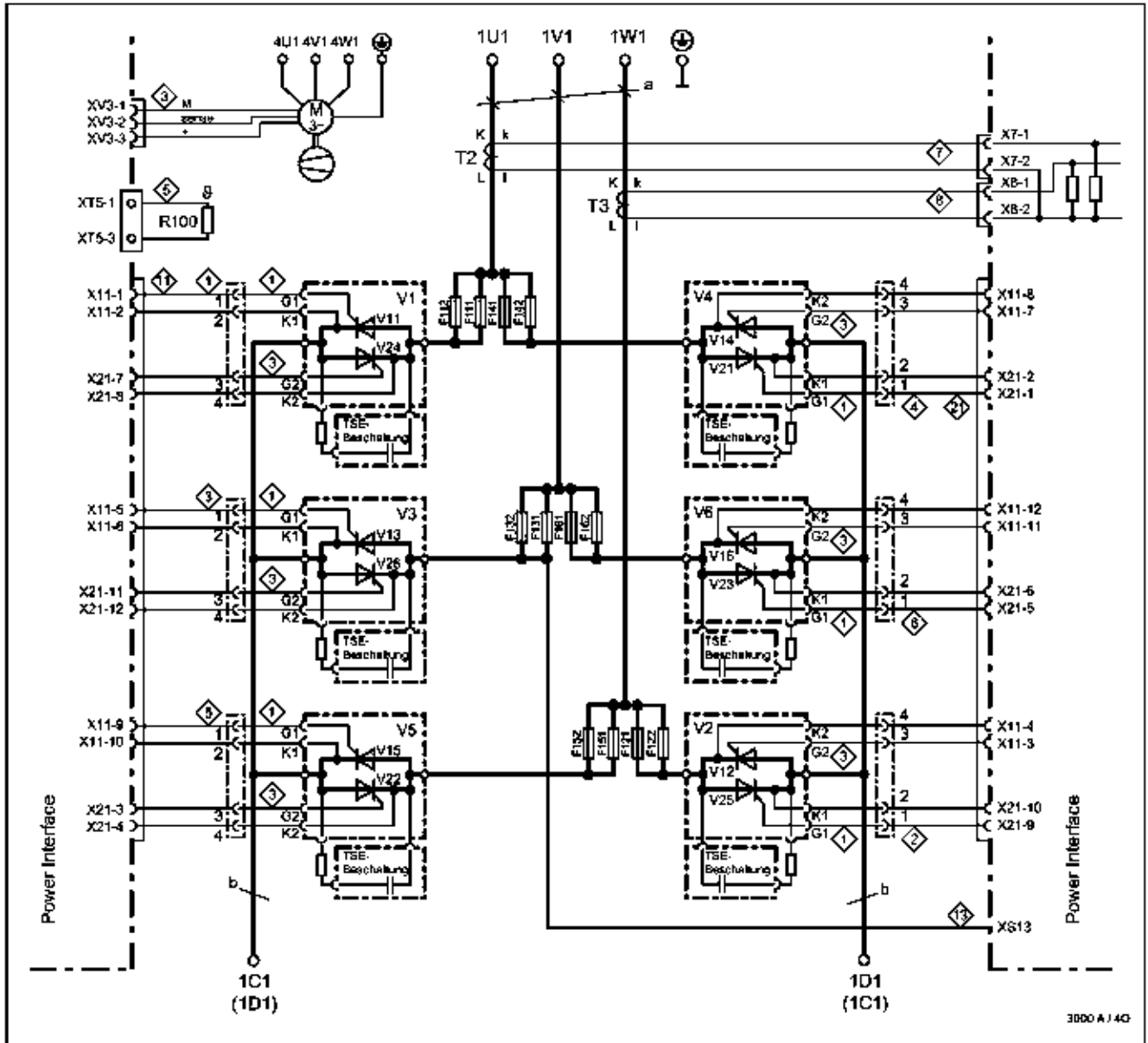
<1> For number of fuses, refer to the chapter "Fuses"

a = 120 x 10 mm, b = cross-section 60 x 10 mm / width 323 mm

Figure 6-33 Power connections for 1,500 to 2,000 A and 575 V/2,200 A/4Q units

400 V/3,000 A, 575 V/2,800 A, 690 V/2,600 A, 950 V/2,200 A/4Q

6RA8096-4MV62-0AA0, 6RA8097-4GV62-0AA0, 6RA8097-4KV62-0AA0,
6RA8098-4DV62-0AA0



a = 120 x 10 mm, b = cross-section 60 x 10 mm / width 323 mm

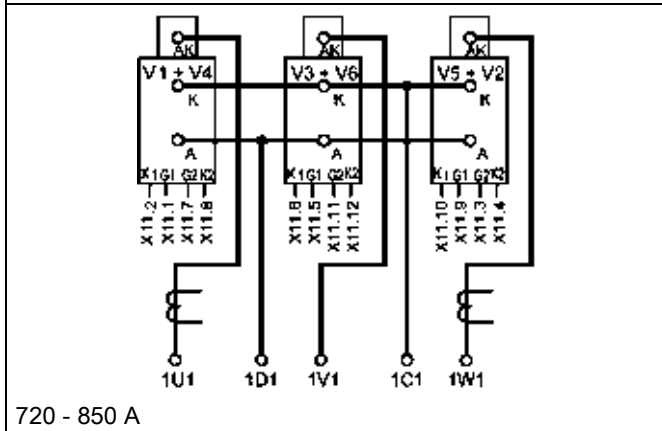
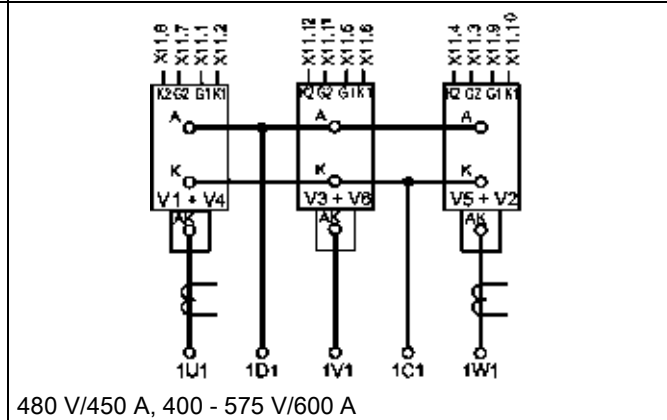
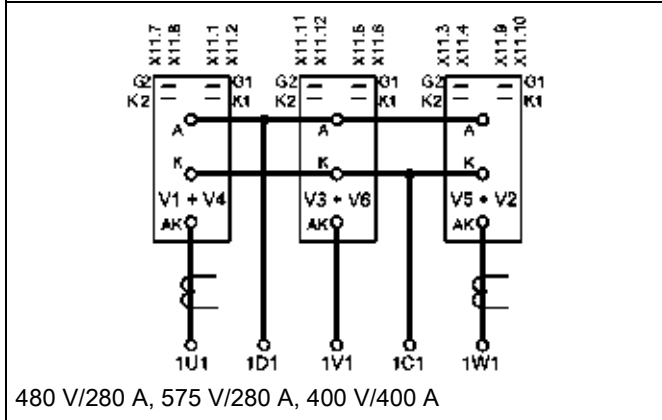
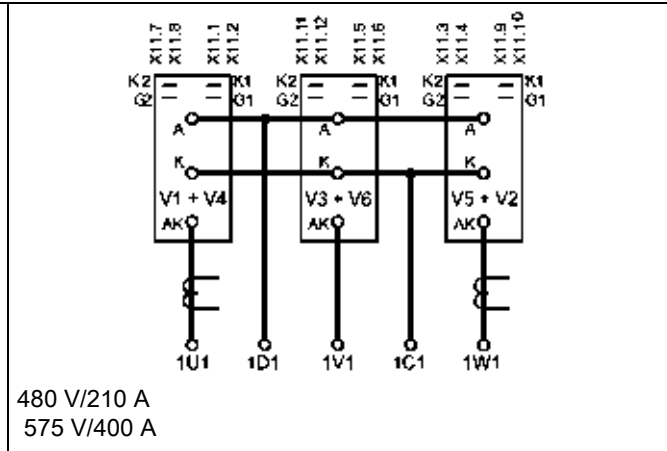
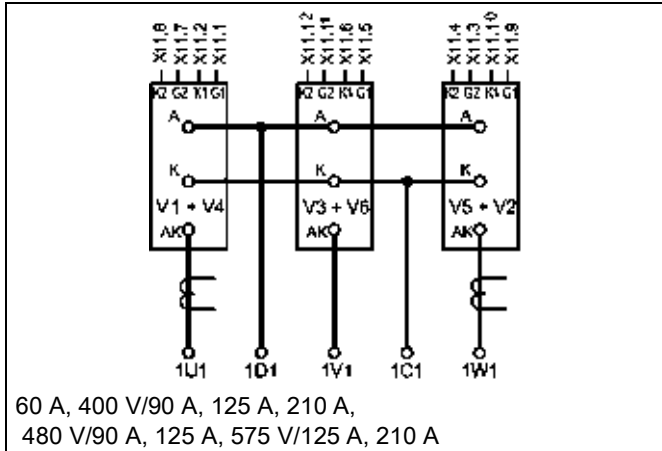
Figure 6-34 Power connections for 2,200 to 3,000 A/4Q units

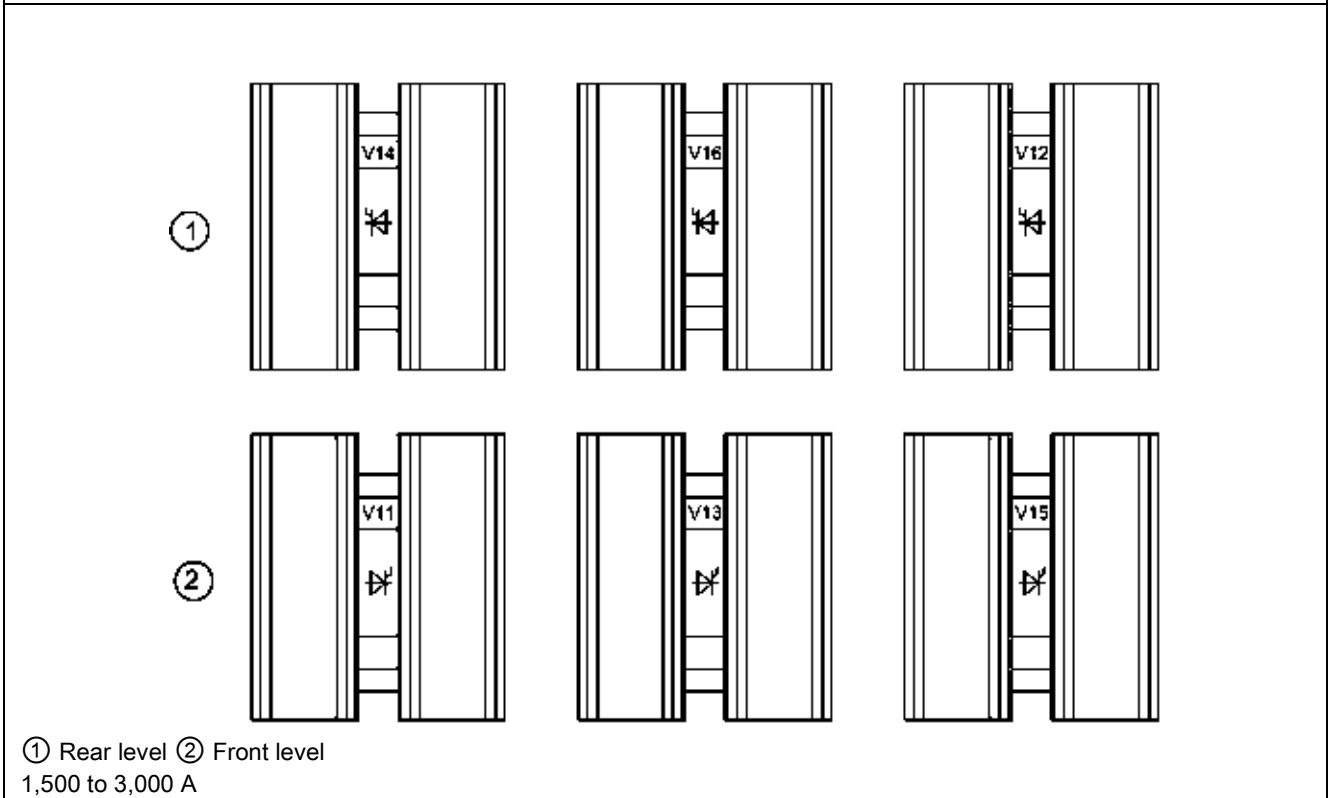
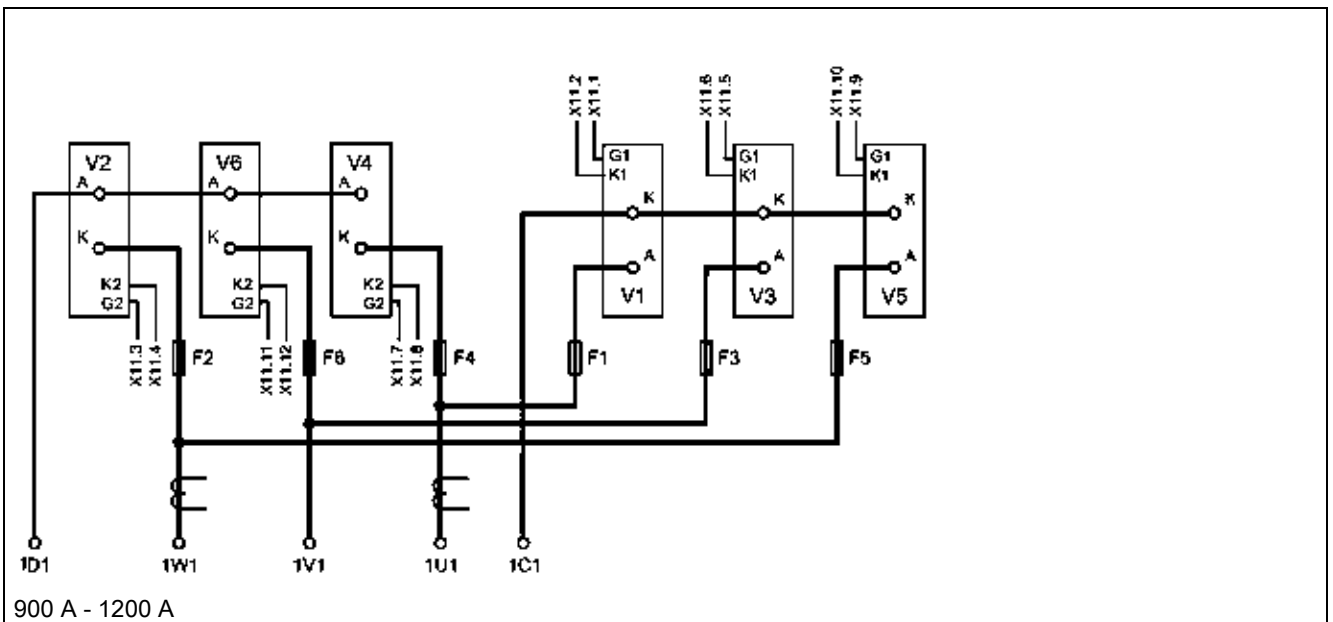
Arrangement of thyristor modules

Note:

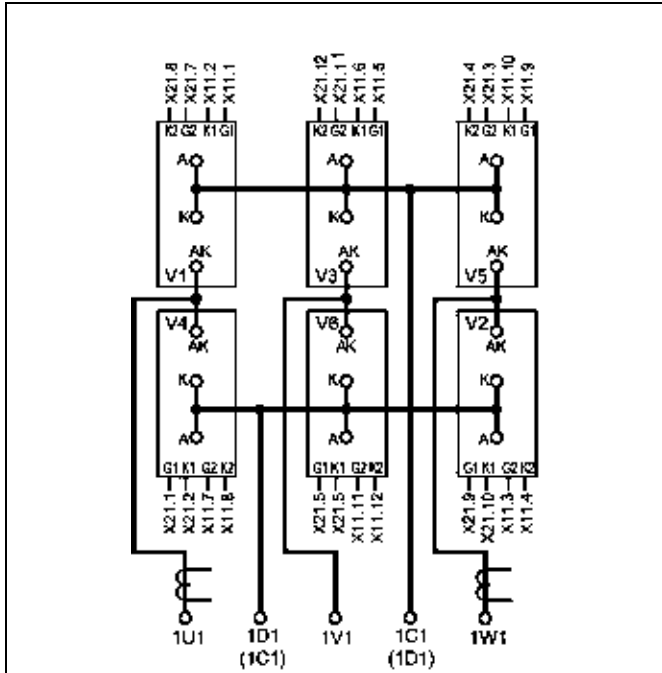
The drawings only show how the thyristor modules are arranged and the positions of the connections. They do not take into account the frame sizes of the modules.

2Q units

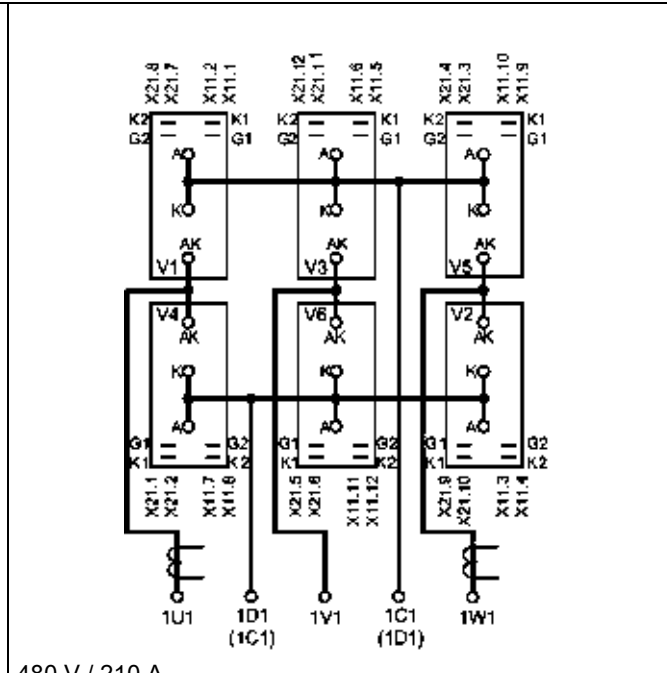




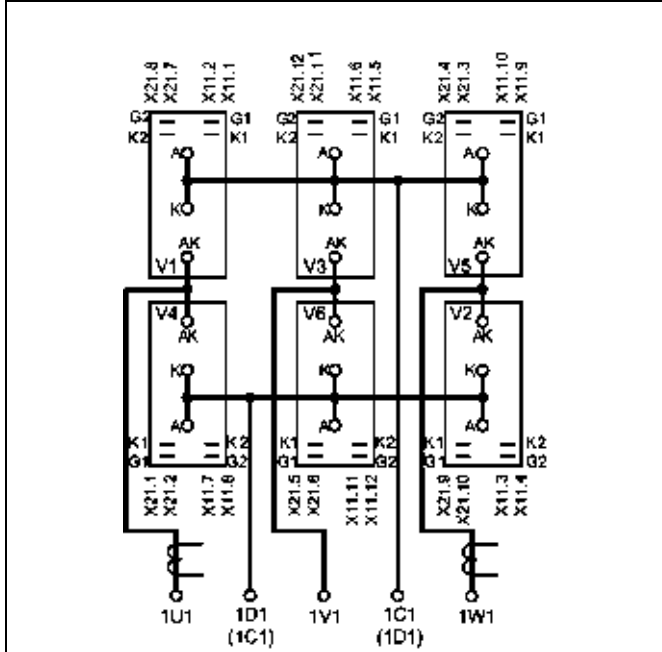
4Q units



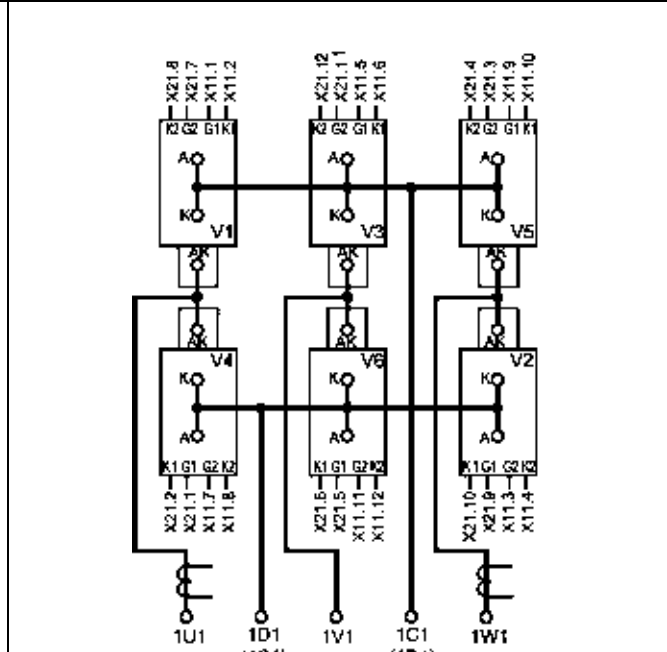
60 A, 400 V / 90 A, 125 A, 210 A
 480 V / 90 A, 125 A, 575 V / 125 A, 210 A



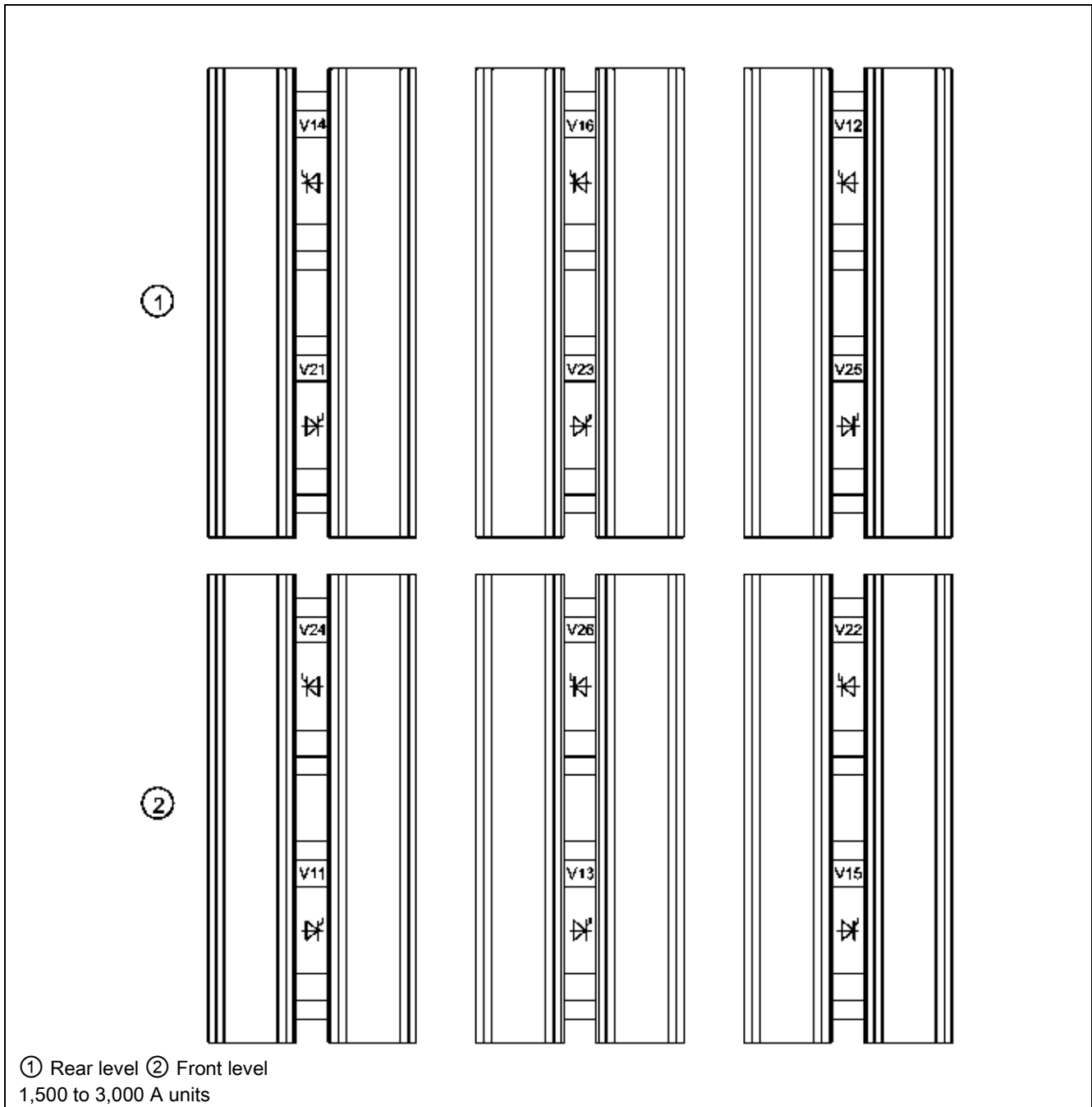
480 V / 210 A
 575 V / 400 A



280 A, 400 V / 400 A



450 - 850 A



6.5 Field supply

15 to 30 A devices

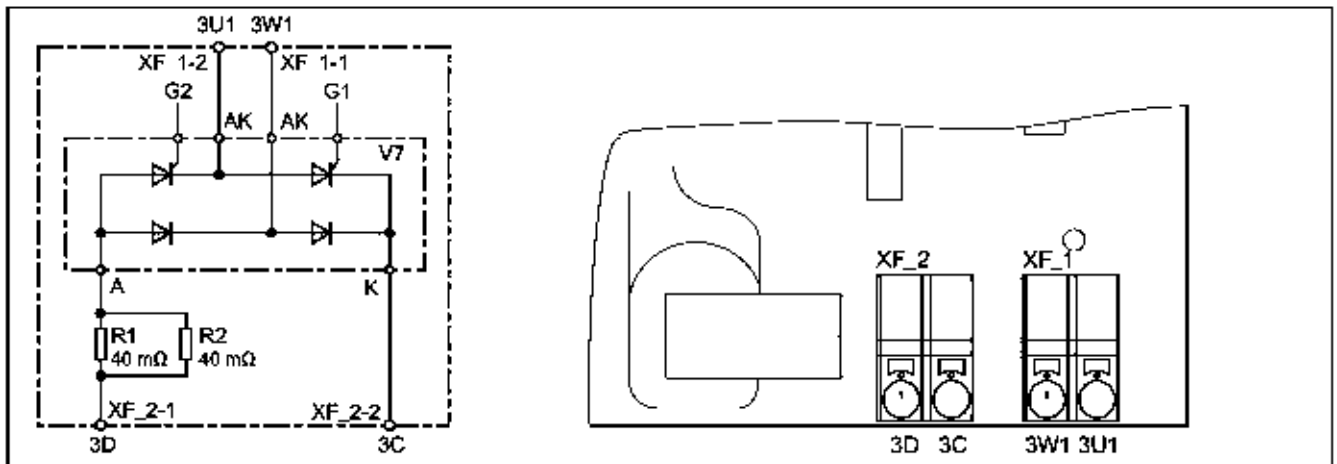


Figure 6-35 15 - 30 A devices, 1Q field

Table 6-2 R1, R2 equipment

Rated DC current armature	Rated DC current field	Module	R1	R2
15 A	3 A	15 A power unit	x	-
30 A	5 A	30 A power unit	x	x

60 to 850 A devices

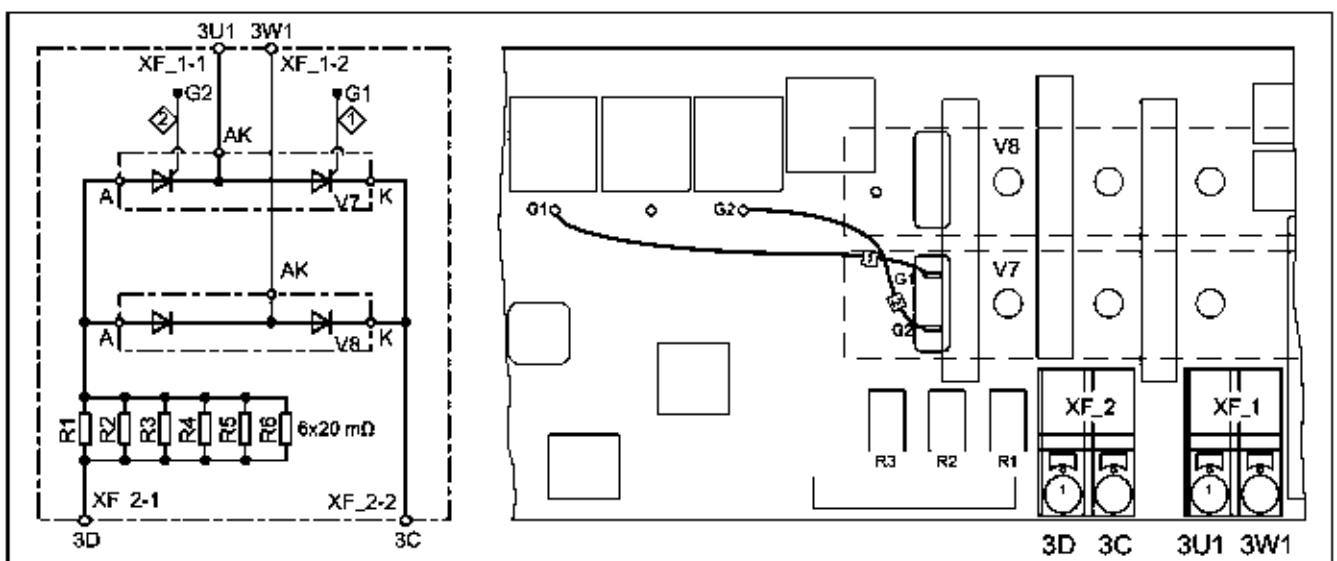


Figure 6-36 60 - 850 A devices, 1Q field module

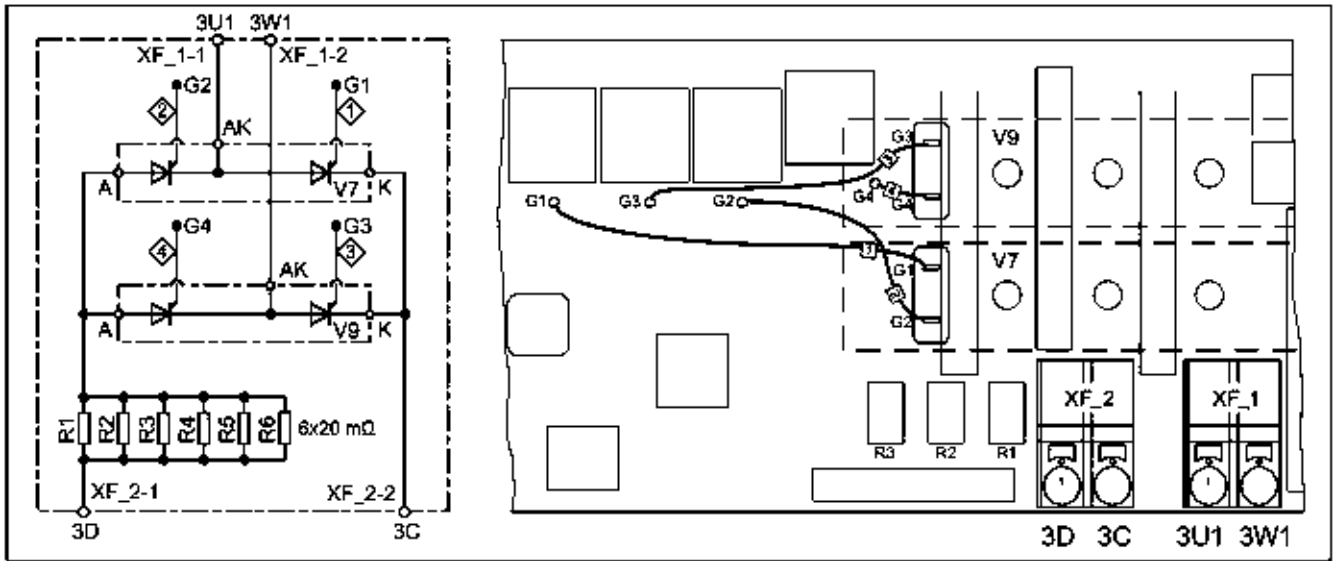


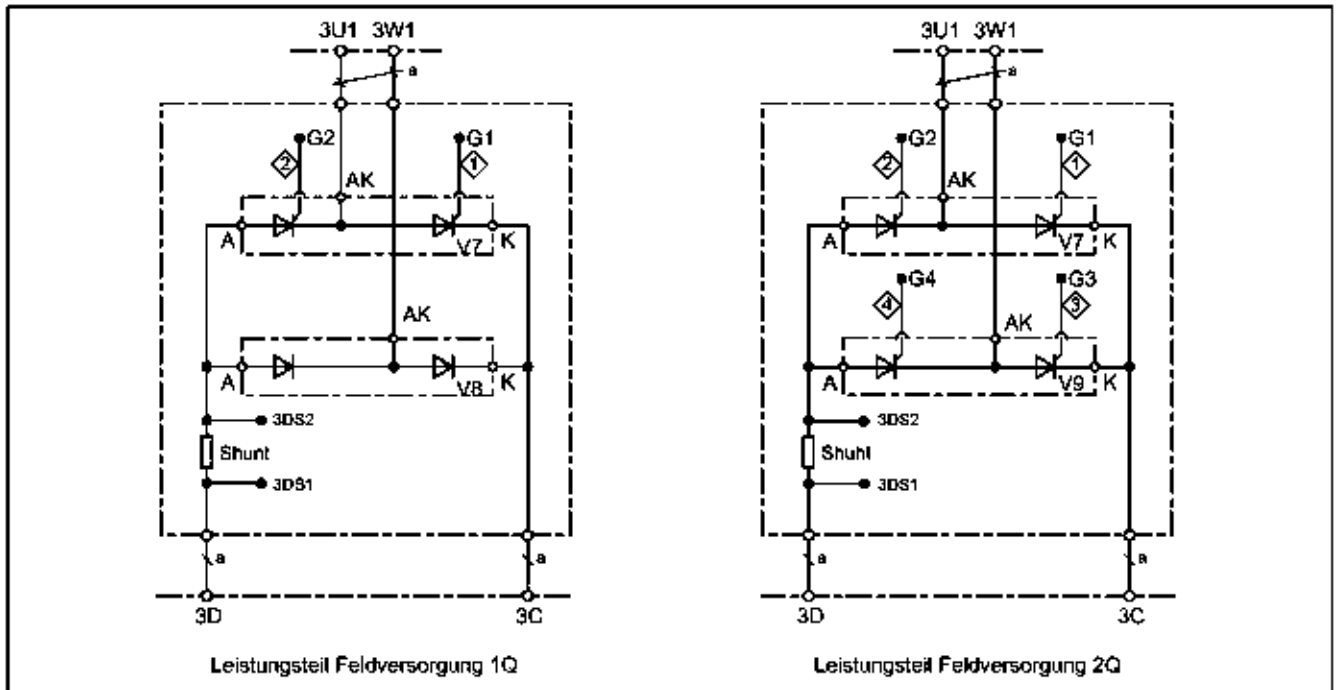
Figure 6-37 60 - 850 A devices, 2Q field module (option)

Gate cables: Betatherm 145 0.5 mm², UL

Table 6-3 R1 to R6 equipment

Rated armature DC current	Rated field DC current	Module	R1	R2	R3	R4	R5	R6
60 A ... 125 A	10 A	10 A field module	x	x	-	-	-	-
210 A ... 280 A	15 A	15 to 30 A field module	x	x	x	x	x	x
400 A ... 600 A	25 A	15 to 30 A field module	x	x	x	x	x	x
720 A ... 850 A	30 A	15 to 30 A field module	x	x	x	x	x	x

900 to 3000 A devices



Gate cables: Betatherm 145 0.5 mm², UL
 Rated field DC current = 40 A:
 Shunt = 2 mΩ; a = Betatherm 145 6 mm², UL
 Rated field DC current = 85 A (option):
 Shunt = 1 mΩ; a = Betatherm 145 10 mm², UL

Figure 6-38 900 - 3000 A devices, 1Q/2Q field

6.6 Line reactors

The line impedance, with line reactors factored in, should be between 4% and 10% of the short-circuit voltage.

Line inductances always need to be provided in the infeed in order to limit voltage dips and ensure that the SINAMICS DCM functions correctly. In the most straightforward situations this can be done by using a 4% line reactor.

The only situations in which a line reactor is not required are when the converter is supplied as the only load by means of a separate transformer winding (converter transformer adapted to the power level).

Where several converters are used on a transformer winding, line reactors must be used upstream of every converter.

NOTICE

Sequence of the wiring

Semiconductor fuses should be installed in the converter system upstream of the reactor. The break times are then achieved by the normally used semiconductor fuses

An incorrect arrangement can destroy a thyristor (short-circuit) and rupture a fuse.

Line reactor selection list

Table 6- 4 3-phase line reactors, rated voltage = 400 VAC, uk = 4%

Article number	Rated current	Inductance	Copper losses	Total losses	SCCR	Weight	Rated insulation voltage
6RX1800-4DK00	13 A AC	2.315 mH	22.8 W	33.1 W	2.0 kA (20 ms)	2.9 kg	600 V
6RX1800-4DK01	25 A AC	1.158 mH	30.8 W	53.2 W	5.0 kA (20 ms)	4.4 kg	600 V
6RX1800-4DK02	51 A AC	0.579 mH	43.5 W	73.2 W	6.5 kA (100 ms)	10.9 kg	600 V
6RX1800-4DK03	76 A AC	0.386 mH	64.4 W	118.5 W	9.0 kA (100 ms)	13.8 kg	600 V
6RX1800-4DK04	106 A AC	0.278 mH	51.3 W	119.3 W	15 kA (100 ms)	23.9 kg	600 V
6RX1800-4DK05	174 A AC	0.169 mH	164.8 W	206.4 W	15 kA (100 ms)	24.0 kg	600 V
6RX1800-4DK06	232 A AC	0.127 mH	197.4 W	256.2 W	20 kA (100 ms)	26.8 kg	600 V
6RX1800-4DK07	332 A AC	0.089 mH	190.7 W	251.1 W	24 kA (200 ms)	45.8 kg	600 V
6RX1800-4DK08	374 A AC	0.079 mH	186.7 W	251.7 W	24 kA (200 ms)	56.8 kg	600 V
6RX1800-4DK10	498 A AC	0.059 mH	277.0 W	357.4 W	35 kA (200 ms)	60.0 kg	600 V
6RX1800-4DK11	706 A AC	0.042 mH	329.4 W	424.8 W	55 kA (200 ms)	81.6 kg	1000 V
6RX1800-4DK12	996 A AC	0.030 mH	390.3 W	562.8 W	75 kA (200 ms)	100.1 kg	1000 V
6RX1800-4DK13	1328 A AC	0.022 mH	339.3 W	554.5 W	75 kA (200 ms)	138.8 kg	1000 V
6RX1800-4DK14	1660 A AC	0.018 mH	369.3 W	591.9 W	75 kA (200 ms)	210.7 kg	1000 V
6RX1800-4DK15	2490 A AC	0.012 mH	587.3 W	1038.3 W	75 kA (200 ms)	205.6 kg	1000 V

Table 6- 5 3-phase line reactors, rated voltage = 480 VAC, uk = 4%

Article number	Rated current	Inductance	Copper losses	Total losses	SCCR	Weight	Rated insulation voltage
6RX1800-4FK00	13 A AC	2.779 mH	27.4 W	39.2 W	2.0 kA (20 ms)	2.9 kg	600 V
6RX1800-4FK01	25 A AC	1.389 mH	34.8 W	57.8 W	5.0 kA (20 ms)	6.0 kg	600 V
6RX1800-4FK02	51 A AC	0.695 mH	42.3 W	77.2 W	6.5 kA (100 ms)	11.8 kg	600 V
6RX1800-4FK03	76 A AC	0.463 mH	56.3 W	118.0 W	9.0 kA (100 ms)	16.3 kg	600 V
6RX1800-4FK04	106 A AC	0.333 mH	68.8 W	152.9 W	15 kA (100 ms)	22.3 kg	600 V
6RX1800-4FK05	174 A AC	0.202 mH	204.6 W	255.6 W	15 kA (100 ms)	26.0 kg	600 V
6RX1800-4FK06	232 A AC	0.152 mH	178.3 W	231.4 W	20 kA (100 ms)	37.8 kg	600 V
6RX1800-4FK07	332 A AC	0.106 mH	193.7 W	261.5 W	24 kA (100 ms)	56.1 kg	600 V
6RX1800-4FK08	374 A AC	0.094 mH	189.1 W	279.2 W	24 kA (100 ms)	56.8 kg	600 V
6RX1800-4FK10	498 A AC	0.071 mH	313.8 W	396.9 W	35 kA (200 ms)	78.1 kg	1000 V
6RX1800-4FK11	664 A AC	0.053 mH	255.6 W	360.8 W	75 kA (200 ms)	96.6 kg	1000 V
6RX1800-4FK12	706 A AC	0.050 mH	293.9 W	404.1 W	75 kA (200 ms)	96.6 kg	1000 V
6RX1800-4FK13	913 A AC	0.039 mH	375.6 W	558.6 W	75 kA (200 ms)	114.5 kg	1000 V
6RX1800-4FK14	996 A AC	0.035 mH	332.7 W	532.8 W	75 kA (200 ms)	127.8 kg	1000 V
6RX1800-4FK15	1328 A AC	0.027 mH	320.4 W	573.7 W	75 kA (200 ms)	177.6 kg	1000 V
6RX1800-4FK16	1660 A AC	0.021 mH	436.5 W	819.0 W	75 kA (200 ms)	161.0 kg	1000 V
6RX1800-4FK17	1326 A AC	0.019 mH	464.7 W	819.9 W	75 kA (200 ms)	164.2 kg	1000 V
6RX1800-4FK18	2324 A AC	0.015 mH	671.8 W	1056.7 W	75 kA (200 ms)	258.2 kg	1000 V

Table 6- 6 3-phase line reactors, rated voltage = 575 VAC, uk = 4%

Article number	Rated current	Inductance	Copper losses	Total losses	SCCR	Weight	Rated insulation voltage
6RX1800-4GK00	51 A AC	0.832 mH	56.8 W	109.7 W	6.5 kA (100 ms)	13.6 kg	600 V
6RX1800-4GK01	106 A AC	0.399 mH	65.6 W	156.7 W	15 kA (100 ms)	26.4 kg	600 V
6RX1800-4GK02	174 A AC	0.243 mH	150.0 W	200.5 W	15 kA (100 ms)	34.5 kg	600 V
6RX1800-4GK03	332 A AC	0.127 mH	252.1 W	327.3 W	24 kA (200 ms)	63.1 kg	600 V
6RX1800-4GK04	498 A AC	0.085 mH	330.3 W	427.5 W	35 kA (200 ms)	86.0 kg	1000 V
6RX1800-4GK05	598 A AC	0.071 mH	339.6 W	455.5 W	55 kA (200 ms)	89.8 kg	1000 V
6RX1800-4GK06	631 A AC	0.067 mH	322.8 W	441.1 W	55 kA (200 ms)	95.7 kg	1000 V
6RX1800-4GK07	664 A AC	0.064 mH	380.7 W	547.2 W	75 kA (200 ms)	108.4 kg	1000 V
6RX1800-4GK08	706 A AC	0.060 mH	392.7 W	564.5 W	75 kA (200 ms)	120.6 kg	1000 V
6RX1800-4GK10	830 A AC	0.051 mH	308.1 W	498.3 W	75 kA (200 ms)	134.8 kg	1000 V
6RX1800-4GK11	913 A AC	0.046 mH	320.7 W	515.9 W	75 kA (200 ms)	143.9 kg	1000 V
6RX1800-4GK12	1245 A AC	0.034 mH	371.4 W	605.4 W	75 kA (200 ms)	206.1 kg	1000 V
6RX1800-4GK13	1328 A AC	0.032 mH	503.1 W	812.4 W	75 kA (200 ms)	160.9 kg	1000 V
6RX1800-4GK14	1660 A AC	0.025 mH	631.3 W	993.1 W	75 kA (200 ms)	202.0 kg	1000 V
6RX1800-4GK15	1826 A AC	0.023 mH	614.7 W	1006.9 W	75 kA (200 ms)	212.1 kg	1000 V
6RX1800-4GK16	2158 A AC	0.020 mH	534.6 W	1073.7 W	75 kA (200 ms)	303.0 kg	1000 V
6RX1800-4GK17	2324 A AC	0.018 mH	556.2 W	1110.0 W	75 kA (200 ms)	321.6 kg	1000 V

6.6 Line reactors

Table 6- 7 3-phase line reactors, rated voltage = 690 VAC, uk = 4%

Article number	Rated current	Inductance	Copper losses	Total losses	SCCR	Weight	Rated insulation voltage
6RX1800-4KK00	598 A AC	0.085 mH	388.2 W	562.1 W	55 kA (200 ms)	108.9 kg	1000 V
6RX1800-4KK01	631 A AC	0.080 mH	402.0 W	586.4 W	75 kA (200 ms)	113.3 kg	1000 V
6RX1800-4KK02	789 A AC	0.064 mH	362.7 W	564.6 W	75 kA (200 ms)	141.9 kg	1000 V
6RX1800-4KK03	830 A AC	0.061 mH	350.7 W	561.4 W	75 kA (200 ms)	153.4 kg	1000 V
6RX1800-4KK04	1245 A AC	0.041 mH	505.2 W	845.7 W	75 kA (200 ms)	169.7 kg	1000 V
6RX1800-4KK05	1577 A AC	0.032 mH	716.8 W	1093.8 W	75 kA (200 ms)	226.1 kg	1000 V
6RX1800-4KK06	1660 A AC	0.031 mH	596.0 W	1011.8 W	75 kA (200 ms)	257.2 kg	1000 V
6RX1800-4KK07	2158 A AC	0.024 mH	484.8 W	1185.6 W	75 kA (200 ms)	360.2 kg	1000 V

Table 6- 8 3-phase line reactors, rated voltage = 830/950 VAC, uk = 4%

Article number	Rated current	Inductance	Copper losses	Total losses	SCCR	Weight	Rated insulation voltage
830 V:							
6RX1800-4LK00	789 A AC	0.077 mH	312.0 W	532.1 W	75 kA (200 ms)	205.2 kg	1000 V
6RX1800-4LK01	1245 A AC	0.049 mH	692.4 W	1061.9 W	75 kA (200 ms)	222.4 kg	1000 V
6RX1800-4LK02	1577 A AC	0.039 mH	479.4 W	1059.6 W	75 kA (200 ms)	308.5 kg	1000 V
6RX1800-4LK03	1826 A AC	0.033 mH	585.6 W	1269.0 W	75 kA (200 ms)	372.5 kg	1000 V
950 V:							
6RX1800-4MK00	1826 A AC	0.038 mH	534.9 W	1303.5 W	75 kA (200 ms)	399.7 kg	1000 V

Table 6- 9 1-phase line reactors, rated voltage = 400 VAC, uk = 4%

Article number	Rated current	Inductance	Weight	Rated insulation voltage
6RX1800-4DE00	3 A AC	16.977 mH	0.7 kg	600 V
6RX1800-4DE01	5 A AC	10.186 mH	1.5 kg	600 V
6RX1800-4DE02	10 A AC	5.093 mH	2.0 kg	600 V
6RX1800-4DE03	15 A AC	3.395 mH	2.3 kg	600 V
6RX1800-4DE04	25 A AC	2.037 mH	3.0 kg	600 V
6RX1800-4DE05	30 A AC	1.698 mH	3.8 kg	600 V
6RX1800-4DE06	40 A AC	1.273 mH	5.2 kg	600 V
6RX1800-4DE07	85 A AC	0.599 mH	9.6 kg	600 V

Connections:

- 3-phase reactors with rated current ≤85 A: Terminal blocks
- 3-phase reactors with rated current >85 A: Connecting lugs
- 1-phase reactors with rated current ≤30 A: Terminal blocks
- 1-phase reactors with rated current >30 A: Connecting lugs

Notes

- 3-phase line reactors with $u_k = 2\%$ can be supplied on request.
- The line reactors are suitable for 50 Hz and 60 Hz operation.
In 60 Hz operation, the next highest voltage class should be selected
e.g. 480 V at 50 Hz, 575 V at 60 Hz.
- For SCCR specifications (time specifications 20 ms): These break times are achieved with the recommended semiconductor fuses

Standards, approvals

REACH, ROHS, CE, cULus

6.7 Fuses

For technical data, project engineering data, and dimension drawings for Siemens fuses, please refer to Chapter 4 of the BETA Catalog.

In order to ensure UL-compliant protection of units, it is essential that you use UL-listed or UL-recognized fuses.

6.7.1 Fuses for the exciter circuit

Table 6- 10 Suggested fuses for the exciter circuit

Rated DC current for converter	max. excitation current	Sicherung Siemens		Siemens fuse for SINAMICS DCM packages		Bussmann fuse FWP 700V RU	
		Article number	A	Article number	A	Order number	A
A	A						
15	3	5SD420	16	3NC1410	10	FWP-5B	5
30	5	5SD420	16	3NC1410	10	FWP-5B	5
60-125	10	5SD420	16	3NC1415	15	FWP-15B	15
210-280	15	5SD440	25	3NC1420	20	FWP-20B	20
400-600	25	5SD440	25	3NC1430	30	FWP-30B	30
710-850	30	5SD480	30	3NC1432	32	FWP-35B	35
900-3000	40	3NE1802-0 ¹⁾	40			FWP-50B	50
1500-3000 with option L85	85	3NE8021-1 ¹⁾	100			FWP-100B	100
Mixed operation of different fuse types is not permissible!							
¹⁾ UL-recognized							

6.7.2 Fuses for the armature circuit

2Q devices: 400 V, 575 V, 690 V, 830 V and 950 V

Table 6- 11 Phase fuses

Device		3x Siemens RU phase fuses		3x Siemens RU phase fuses for DCM Packages	
Article number	I/U [A/V]	Article number	I/U [A/V]	Article number	I/U [A/V]
6RA8025-6DS22-0AA0	60 / 400	3NE1817-0	50 / 690	3NE1817-0	50 / 690
6RA8025-6GS22-0AA0	60 / 575	3NE1817-0	50 / 690	3NE1817-0	50 / 690
6RA8028-6DS22-0AA0	90 / 400	3NE1820-0	80 / 690	3NE1820-0	80 / 690
6RA8031-6DS22-0AA0	125 / 400	3NE1021-0	100 / 690	3NE1021-0	100 / 690
6RA8031-6GS22-0AA0	125 / 575	3NE1021-0	100 / 690	3NE1021-0	100 / 690
6RA8075-6DS22-0AA0	210 / 400	3NE3227	250 / 1000	3NE3227	250 / 1000
6RA8075-6GS22-0AA0	210 / 575	3NE3227	250 / 1000	3NE3227	250 / 1000

6RA8078-6DS22-0AA0	280 / 400	3NE3231	350 / 1000	3NE3231	350 / 1000
6RA8081-6DS22-0AA0	400 / 400	3NE3233	450 / 1000	3NE3333	450 / 1000
6RA8081-6GS22-0AA0	400 / 575	3NE3233	450 / 1000	3NE3333	450 / 1000
6RA8085-6DS22-0AA0	600 / 400	3NE3336	630 / 1000	3NE3336	630 / 1000
6RA8085-6GS22-0AA0	600 / 575	3NE3336	630 / 1000	3NE3336	630 / 1000
6RA8087-6DS22-0AA0	850 / 400	3NE3338-8	800 / 800	3NE3338-8	800 / 800
6RA8087-6GS22-0AA0	800 / 575	3NE3338-8	800 / 800	3NE3338-8	800 / 800
6RA8086-6KS22-0AA0	720 / 690	3NE3337-8	710 / 900	3NE3337-8	710 / 900
Mixed operation of different fuse types is not permissible!					

Table 6- 12 Arm fuses

Device		Siemens RÜ arm fuses		
Article number	I/U [A/V]	Quantity	Article number	I/U [A/V]
6RA8091-6DS22-0AA0	1200 / 400	6	3NE3338-8	800 / 800
6RA8090-6GS22-0AA0	1100 / 575	6	3NE3338-8	800 / 800
6RA8090-6KS22-0AA0	1000 / 690	6	3NE3337-8	710 / 900
6RA8088-6LS22-0AA0	950 / 830	6	3NE3337-8	710 / 900
6RA8093-4DS22-0AA0	1600 / 400	6	6RY1702-0BA02	1000 / 660
6RA8093-4GS22-0AA0	1600 / 575	6	6RY1702-0BA02	1000 / 660
6RA8093-4KS22-0AA0	1500 / 690	6	6RY1702-0BA03	1000 / 1000
6RA8093-4LS22-0AA0	1500 / 830	6	6RY1702-0BA03	1000 / 1000
6RA8095-4DS22-0AA0	2000 / 400	6	6RY1702-0BA01	1250 / 660
6RA8095-4GS22-0AA0	2000 / 575	6	6RY1702-0BA01	1250 / 660
6RA8095-4KS22-0AA0	2000 / 690	12	6RY1702-0BA04	630 / 1000
6RA8095-4LS22-0AA0	1900 / 830	12	6RY1702-0BA04	630 / 1000
6RA8096-4GS22-0AA0	2200 / 575	6	6RY1702-0BA05	1500 / 660
6RA8096-4MS22-0AA0	2200 / 950	12	3NC3438-6	800 / 1100
6RA8097-4KS22-0AA0	2600 / 690	12	3NC3341-6	1000 / 1000
6RA8097-4GS22-0AA0	2800 / 575	12	3NC3341-6	1000 / 1000
6RA8098-4DS22-0AA0	3000 / 400	12	3NC3341-6	1000 / 1000
The arm fuses are included in the device. No external semiconductor fuses are required. Mixed operation of different fuse types is not permissible!				

2Q devices: 480 V

Table 6- 13 Phase fuses

Device		3x Siemens RU phase fuses		3x Siemens RU phase fuses for DCM Packages		3x Bussmann RU phase fuses		3x Bussmann RU phase fuses	
Article number	I/U [A/V]	Article number	I/U [A/V]	Article number	I/U [A/V]	Order number	I/U [A/V]	Order number	I/U [A/V]
6RA8025-6FS22-0AA0	60 / 480	3NE1817-0	50 / 690	3NE1817-0	50 / 690	170M1565	63 / 660	FWH-60B	60 / 500
6RA8028-6FS22-0AA0	90 / 480	3NE1820-0	80 / 690	3NE1820-0	80 / 690	170M1567	100 / 660	FWH-100B	100 / 500
6RA8031-6FS22-0AA0	125 / 480	3NE1021-0	100 / 690	3NE1021-0	100 / 690	170M1568	125 / 660	FWH-125B	125 / 500
6RA8075-6FS22-0AA0	210 / 480	3NE3227	250 / 1000	3NE3227	250 / 1000	170M3166	250 / 660	FWH-225A	225 / 500
6RA8078-6FS22-0AA0	280 / 480	3NE3231	350 / 1000	3NE3231	350 / 1000	170M3167	315 / 660	FWH-275A	275 / 500
6RA8082-6FS22-0AA0	450 / 480	3NE3233	450 / 1000	3NE3333	450 / 1000	170M3170	450 / 660	FWH-450A	450 / 500
6RA8085-6FS22-0AA0	600 / 480	3NE3336	630 / 1000	3NE3336	630 / 1000	170M4167	700 / 660	FWH-600A	600 / 500
6RA8087-6FS22-0AA0	850 / 480	3NE3338-8	800 / 800	3NE3338-8	800 / 800	170M5165	900 / 660	FWH-800A	800 / 500

FWH-... and FWP-... fuses are mechanically incompatible with 3NE... and 170M... fuses.
Mixed operation of different fuse types is not permissible!

Table 6- 14 Arm fuses

Device		Siemens RU arm fuses		
Article number	I/U [A/V]	Quantity	Article number	I/U [A/V]
6RA8091-6FS22-0AA0	1200 / 480	6	3NE3338-8	800 / 800

The arm fuses are included in the device. No external semiconductor fuses are required.
Mixed operation of different fuse types is not permissible!

4Q devices: 400 V, 575 V, 690 V, 830 V and 950 V

Table 6- 15 Phase fuses, DC fuse

Device		3x Siemens RÜ phase fuses		3x Siemens RÜ phase fuses for DCM Packages		1x Siemens RÜ DC fuse	
Article number	I/U [A/V]	Article number	I/U [A/V]	Article number	I/U [A/V]	Article number	I/U [A/V]
6RA8013-6DV62-0AA0	15 / 400	3NE1814-0	20 / 690	3NE1814-0	20 / 690	3NE1814-0	20 / 690
6RA8018-6DV62-0AA0	30 / 400	3NE8003-1	35 / 690	3NE8003-1	35 / 690	3NE4102	40 / 1000
6RA8025-6DV62-0AA0	60 / 400	3NE1817-0	50 / 690	3NE1817-0	50 / 690	3NE4120	80 / 1000
6RA8025-6GV62-0AA0	60 / 575	3NE1817-0	50 / 690	3NE1817-0	50 / 690	3NE4120	80 / 1000
6RA8028-6DV62-0AA0	90 / 400	3NE1820-0	80 / 690	3NE1820-0	80 / 690	3NE4122	125 / 1000
6RA8031-6DV62-0AA0	125 / 400	3NE1021-0	100 / 690	3NE1021-0	100 / 690	3NE4124	160 / 1000
6RA8031-6GV62-0AA0	125 / 575	3NE1021-0	100 / 690	3NE1021-0	100 / 690	3NE4124	160 / 1000
6RA8075-6DV62-0AA0	210 / 400	3NE3227	250 / 1000	3NE3227	250 / 1000	3NE3227	250 / 1000
6RA8075-6GV62-0AA0	210 / 575	3NE3227	250 / 1000	3NE3227	250 / 1000	3NE3227	250 / 1000
6RA8078-6DV62-0AA0	280 / 400	3NE3231	350 / 1000	3NE3231	350 / 1000	3NE3231	350 / 1000
6RA8081-6DV62-0AA0	400 / 400	3NE3233	450 / 1000	3NE3333	450 / 1000	3NE3233	450 / 1000
6RA8081-6GV62-0AA0	400 / 575	3NE3233	450 / 1000	3NE3333	450 / 1000	3NE3233	450 / 1000
6RA8085-6DV62-0AA0	600 / 400	3NE3336	630 / 1000	3NE3336	630 / 1000	3NE3336	630 / 1000
6RA8085-6GV62-0AA0	600 / 575	3NE3336	630 / 1000	3NE3336	630 / 1000	3NE3336	630 / 1000
6RA8087-6DV62-0AA0	850 / 400	3NE3338-8	800 / 800	3NE3338-8	800 / 800	3NE3334-0B ¹⁾	500 / 1000
6RA8087-6GV62-0AA0	850 / 575	3NE3338-8	800 / 800	3NE3338-8	800 / 800	3NE3334-0B ¹⁾	500 / 1000
6RA8086-6KV62-0AA0	760 / 690	3NE3337-8	710 / 900	3NE3337-8	710 / 900	3NE3334-0B ¹⁾	500 / 1000
Mixed operation of different fuse types is not permissible!							
1) Two fuses connected in parallel							

6.7 Fuses

Table 6- 16 Arm fuses

Device		Siemens RU arm fuses		
Article number	I/U [A/V]	Quantity	Article number	I/U [A/V]
6RA8091-6DV62-0AA0	1200 / 400	6	3NE3338-8	800 / 800
6RA8090-6GV62-0AA0	1100 / 575	6	3NE3338-8	800 / 800
6RA8090-6KV62-0AA0	1000 / 690	6	3NE3337-8	710 / 900
6RA8088-6LV62-0AA0	950 / 830	6	3NE3337-8	710 / 900
6RA8093-4DV62-0AA0	1600 / 400	6	6RY1702-0BA02	1000 / 660
6RA8093-4GV62-0AA0	1600 / 575	6	6RY1702-0BA02	1000 / 660
6RA8093-4KV62-0AA0	1500 / 690	6	6RY1702-0BA03	1000 / 1000
6RA8093-4LV62-0AA0	1500 / 830	6	6RY1702-0BA03	1000 / 1000
6RA8095-4DV62-0AA0	2000 / 400	6	6RY1702-0BA01	1250 / 660
6RA8095-4GV62-0AA0	2000 / 575	6	6RY1702-0BA01	1250 / 660
6RA8095-4KV62-0AA0	2000 / 690	12	6RY1702-0BA04	630 / 1000
6RA8095-4LV62-0AA0	1900 / 830	12	6RY1702-0BA04	630 / 1000
6RA8096-4GV62-0AA0	2200 / 575	6	6RY1702-0BA05	1500 / 660
6RA8096-4MV62-0AA0	2200 / 950	12	3NC3438-6	800 / 1100
6RA8097-4KV62-0AA0	2600 / 690	12	3NC3341-6	1000 / 1000
6RA8097-4GV62-0AA0	2800 / 575	12	3NC3341-6	1000 / 1000
6RA8098-4DV62-0AA0	3000 / 400	12	3NC3341-6	1000 / 1000

The arm fuses are included in the device. No external semiconductor fuses are required.
Mixed operation of different fuse types is not permissible!

4Q devices: 480 V

Table 6- 17 Phase fuses

Device		3x Siemens RU phase fuses		3x Siemens RU phase fuses for DCM Packages		3x Bussmann RU phase fuses		3x Bussmann RU phase fuses	
Article number	I/U [A/V]	Article number	I/U [A/V]	Article number	I/U [A/V]	Order number	I/U [A/V]	Order number	I/U [A/V]
6RA8013-6FV62-0AA0	15 / 480	3NE1814-0	20 / 690	3NE1814-0	20 / 690	170M1562	32 / 660	FWH-35B	35 / 500
6RA8018-6FV62-0AA0	30 / 480	3NE1815-0	25 / 690	3NE1815-0	25 / 690	170M1562	32 / 660	FWH-35B	35 / 500
6RA8025-6FV62-0AA0	60 / 480	3NE1817-0	50 / 690	3NE1817-0	50 / 690	170M1565	63 / 660	FWH-60B	60 / 500
6RA8028-6FV62-0AA0	90 / 480	3NE1820-0	80 / 690	3NE1820-0	80 / 690	170M1567	100 / 660	FWH-100B	100 / 500
6RA8031-6FV62-0AA0	125 / 480	3NE1021-0	100 / 690	3NE1021-0	100 / 690	170M1568	125 / 660	FWH-125B	125 / 500
6RA8075-6FV62-0AA0	210 / 480	3NE3227	250 / 1000	3NE3227	250 / 1000	170M3166	250 / 660	FWH-225A	225 / 500

6RA8078-6FV62-0AA0	280 / 480	3NE3231	350 / 1000	3NE3231	350 / 1000	170M3167	315 / 660	FWH-275A	275 / 500
6RA8082-6FV62-0AA0	450 / 480	3NE3233	450 / 1000	3NE3333	450 / 1000	170M3170	450 / 660	FWH-450A	450 / 500
6RA8085-6FV62-0AA0	600 / 480	3NE3336	630 / 1000	3NE3336	630 / 1000	170M4167	700 / 660	FWH-600A	600 / 500
6RA8087-6FV62-0AA0	850 / 480	3NE3338-8	800 / 800	3NE3338-8	800 / 800	170M5165	900 / 660	FWH-800A	800 / 500

Mixed operation of different fuse types is not permissible!

Table 6- 18 DC fuse

Device		1x Siemens RU DC fuse		1x Busmann RU DC fuse	
Article number	I/U [A/V]	Article number	I/U [A/V]	Order number	I/U [A/V]
6RA8013-6FV62-0AA0	15 / 480	3NE1814-0	20 / 690	FWP-35B	35 / 660
6RA8018-6FV62-0AA0	30 / 480	3NE4102	40 / 1000	FWP-35B	35 / 660
6RA8025-6FV62-0AA0	60 / 480	3NE4120	80 / 1000	FWP-70B	70 / 660
6RA8028-6FV62-0AA0	90 / 480	3NE4122	125 / 1000	FWP-125A	125 / 660
6RA8031-6FV62-0AA0	125 / 480	3NE4124	160 / 1000	FWP-150A	150 / 660
6RA8075-6FV62-0AA0	210 / 480	3NE3227	250 / 1000	FWP-250A	250 / 660
6RA8078-6FV62-0AA0	280 / 480	3NE3231	350 / 1000	FWP-350A	350 / 660
6RA8082-6FV62-0AA0	450 / 480	3NE3334-0B	500 / 1000	FWP-500A	500 / 660
6RA8085-6FV62-0AA0	600 / 480	3NE3336	630 / 1000	FWP-700A	700 / 660
6RA8087-6FV62-0AA0	850 / 480	3NE3334-0B 1)	500 / 1000	FWP-1000A	1000 / 660

1) Two fuses connected in parallel
FWH-... and FWP-... fuses are mechanically incompatible with 3NE... and 170M... fuses.
Mixed operation of different fuse types is not permissible!

Table 6- 19 Arm fuses

Device		Siemens RU arm fuses		
Article number	I/U [A/V]	Quantity	Article number	I/U [A/V]
6RA8091-6FV62-0AA0	1200 / 480	6	3NE3338-8	800 / 800

The arm fuses are included in the device. No external semiconductor fuses are required.
Mixed operation of different fuse types is not permissible!

6.7.3 Fuses in the Power Interface

Only UL-listed or UL-recognized fuses may be used in UL-listed devices.

Table 6- 20 Power interface with AC electronic power supply: F200 and F201 fuses

Manufacturer	Type	Data	Dimensions	Order designation	UL
Littlefuse	239	1 A / 250 V, time-lag	5 x 20 mm	239 001, MXP	✓
Schurter	FST	1 A / 250 V, time-lag	5 x 20 mm	0034.3117	✓

With option L05

(Devices with "Power interface with DC electronic power supply", F200 fuse):

T 6.3 A / 250 V 5×20 mm (Slow-Acting Fuse)

e.g. Wickmann 193, Littlefuse 217P Series

6.8 Arrangement of terminals and connectors

Module - Control Unit (CUD)

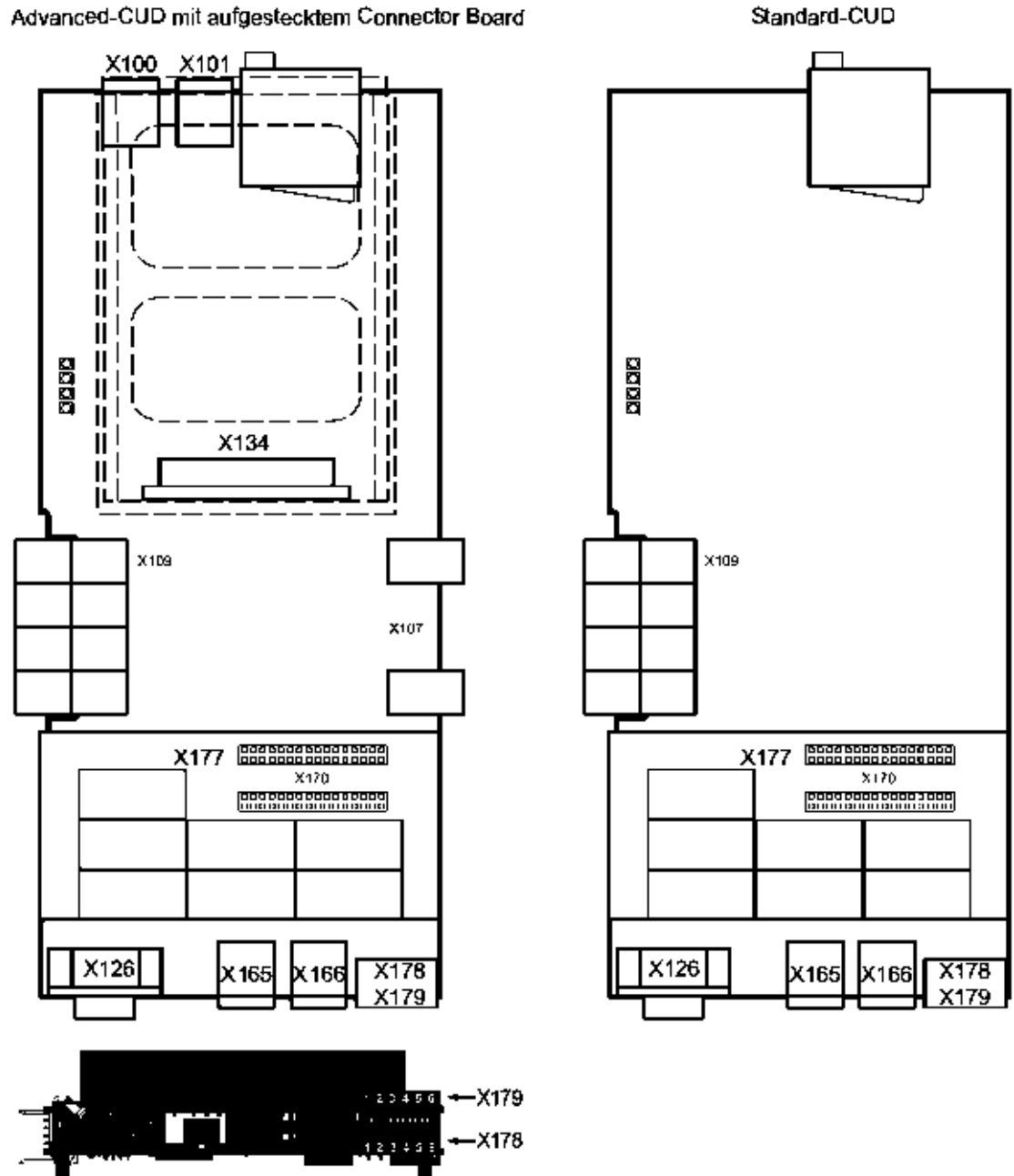


Figure 6-39 Terminal/connector arrangement on the "Control Unit (CUD)"

Module - Control Unit (CUD), option G63

Advanced-CUD mit aufgestecktem Cabinet Board

Standard-CUD

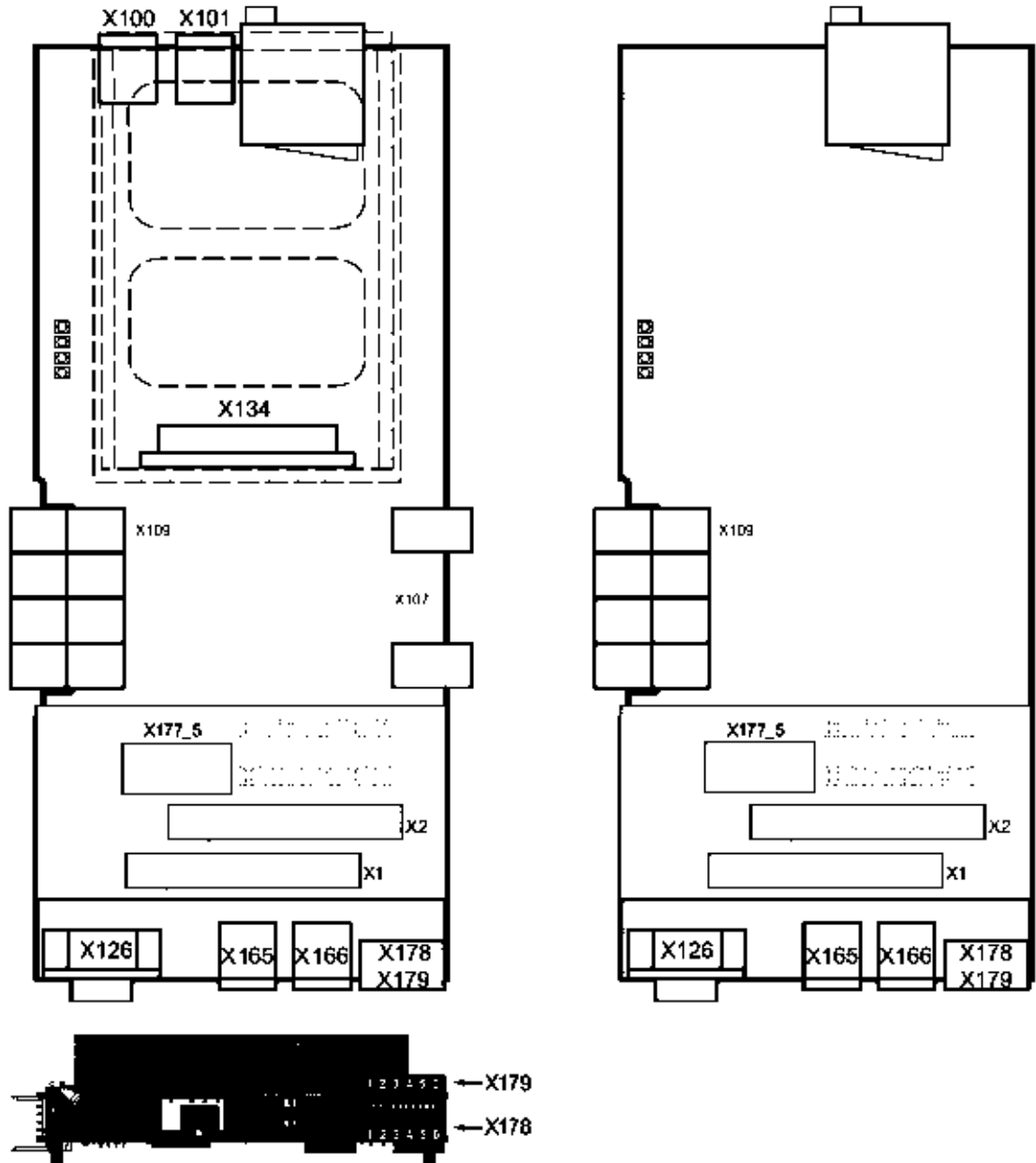


Figure 6-40 Terminal/connector arrangement on the "Control Unit (CUD)" - option G63

Module - Power Interface for 2Q devices, 400 - 600 V with AC electronic power supply

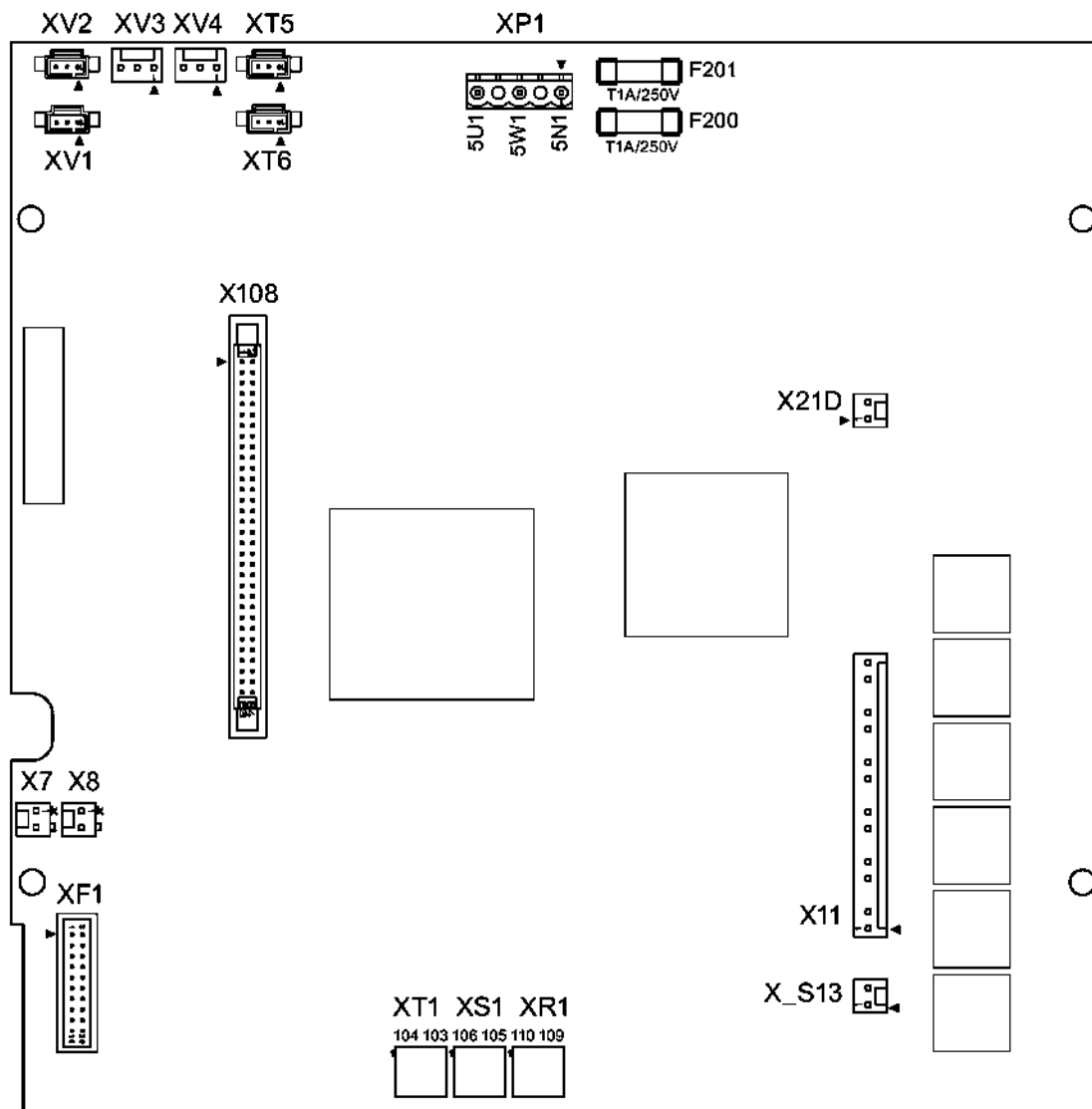


Figure 6-41 Terminal/connector arrangement on the "Power Interface for 2Q devices, 400 - 600 V with AC electronic power supply"

Module - Power Interface for 4Q devices, 400 - 600 V with AC electronic power supply

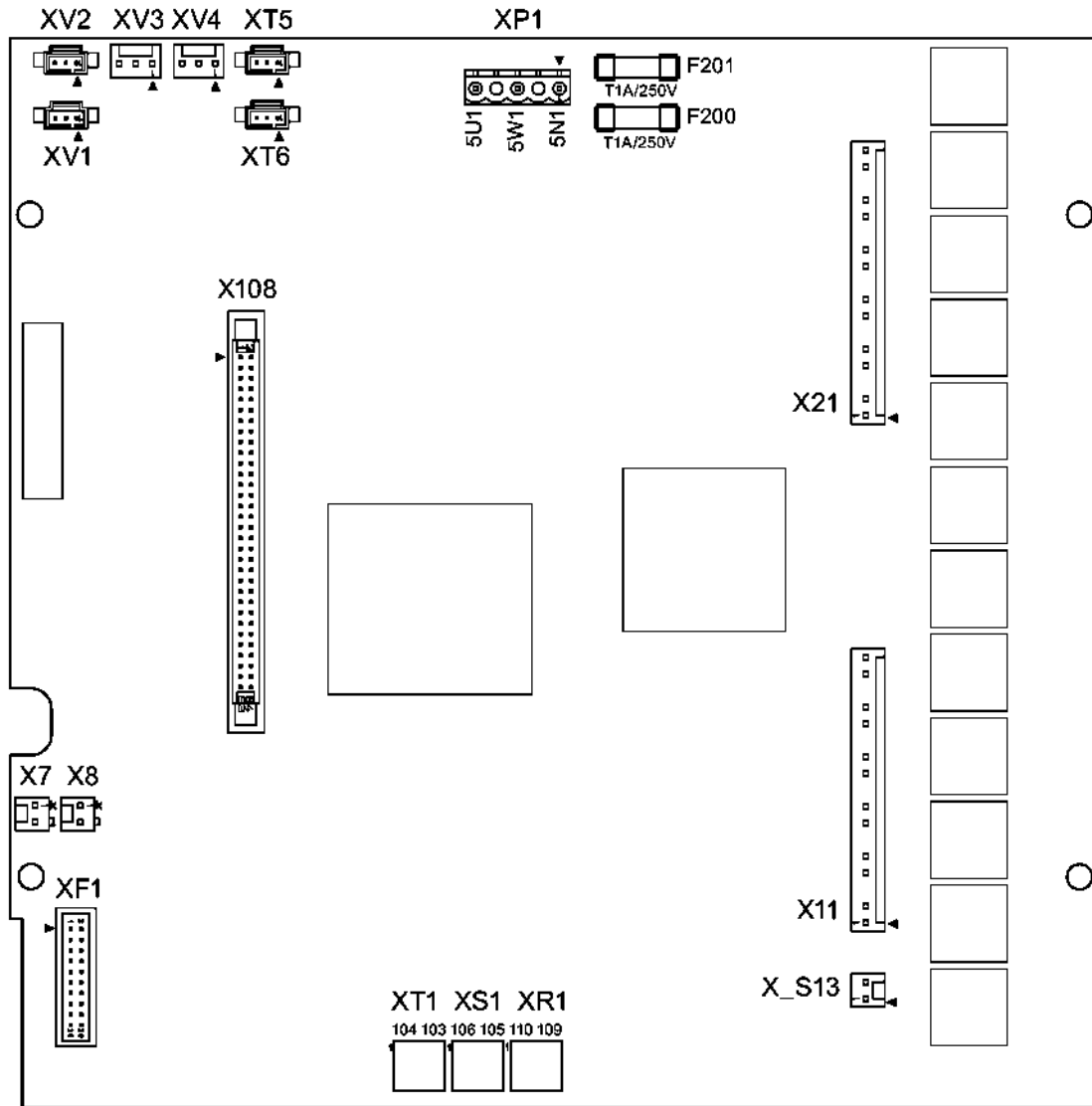
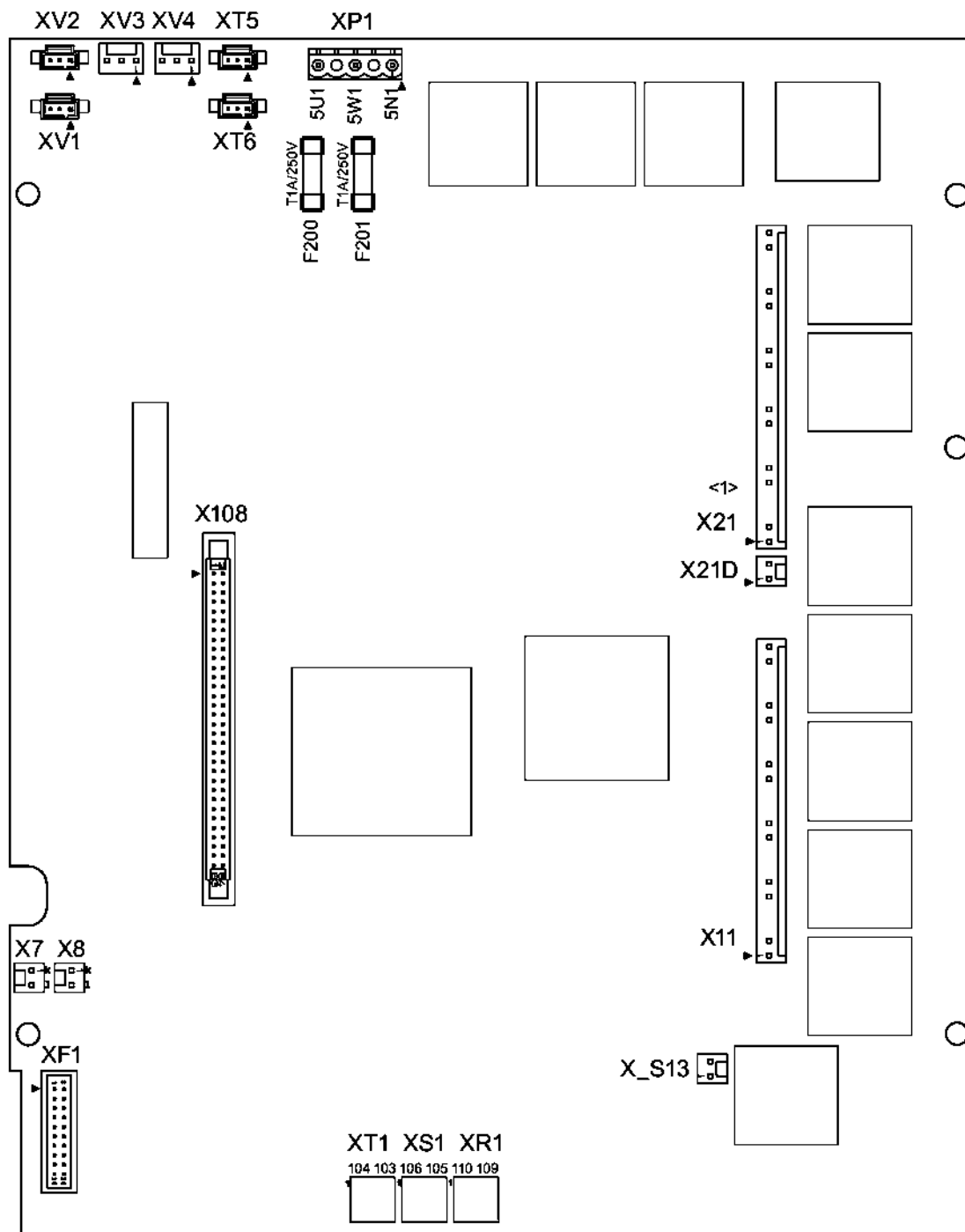


Figure 6-42 Terminal/conconnector arrangement on the "Power Interface for 4Q devices, 400 - 600 V with AC electronic power supply"

Module - Power Interface for 690 - 950 V devices with AC electronic power supply



<1> Connector X21 not fitted on 2Q devices
 Connector X21D not fitted on 4Q devices

Figure 6-43 Terminal/connector arrangement on the "Power Interface for 690 - 950 V devices with AC electronic power supply"

Module - Power Interface for 2Q devices, 400 - 600 V with DC electronic power supply

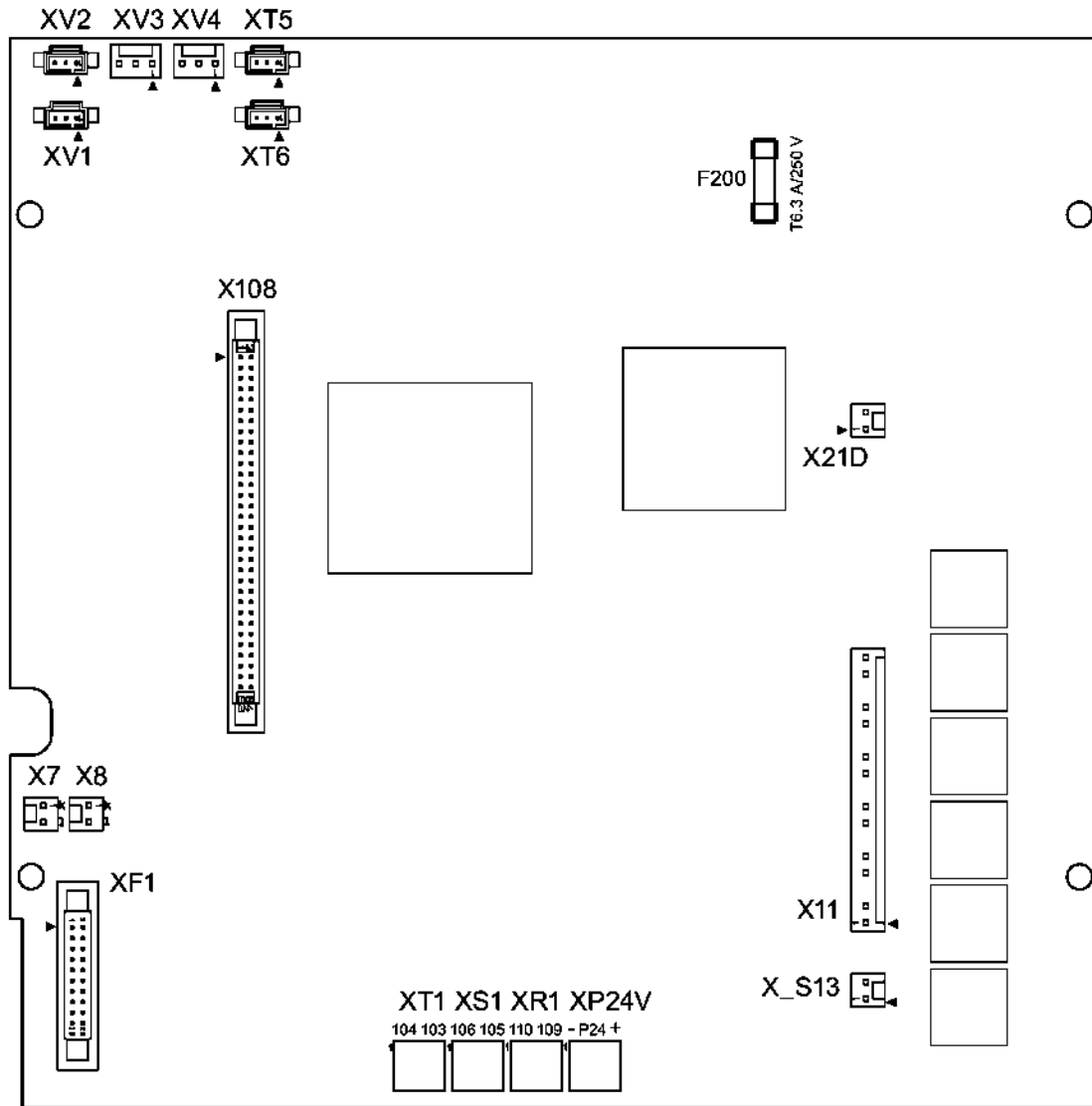


Figure 6-44 Terminal/conconnector arrangement on the "Power Interface for 2Q devices, 400 - 600 V with DC electronic power supply"

Module - Power Interface for 4Q devices, 400 - 600 V with DC electronic power supply

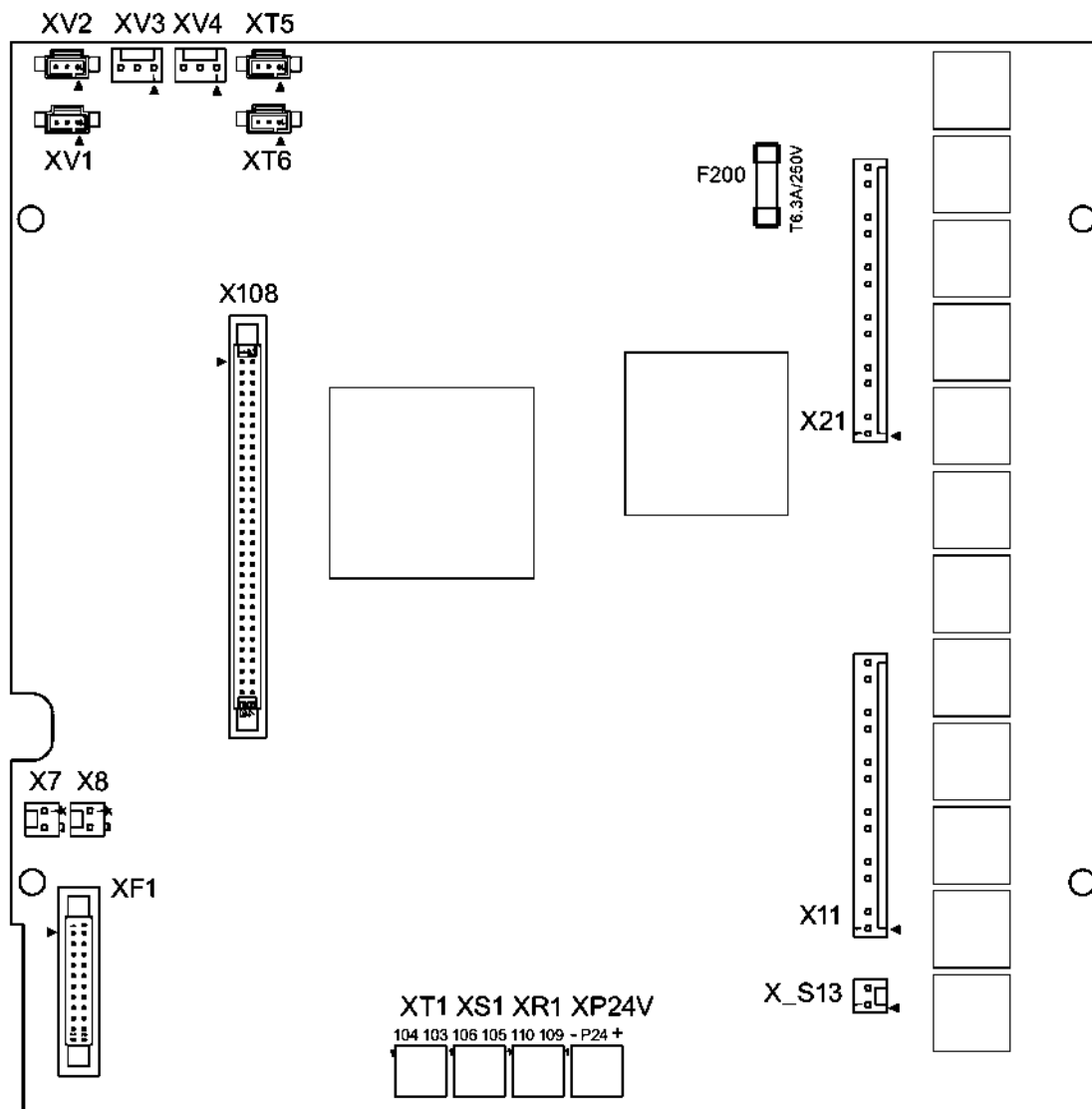
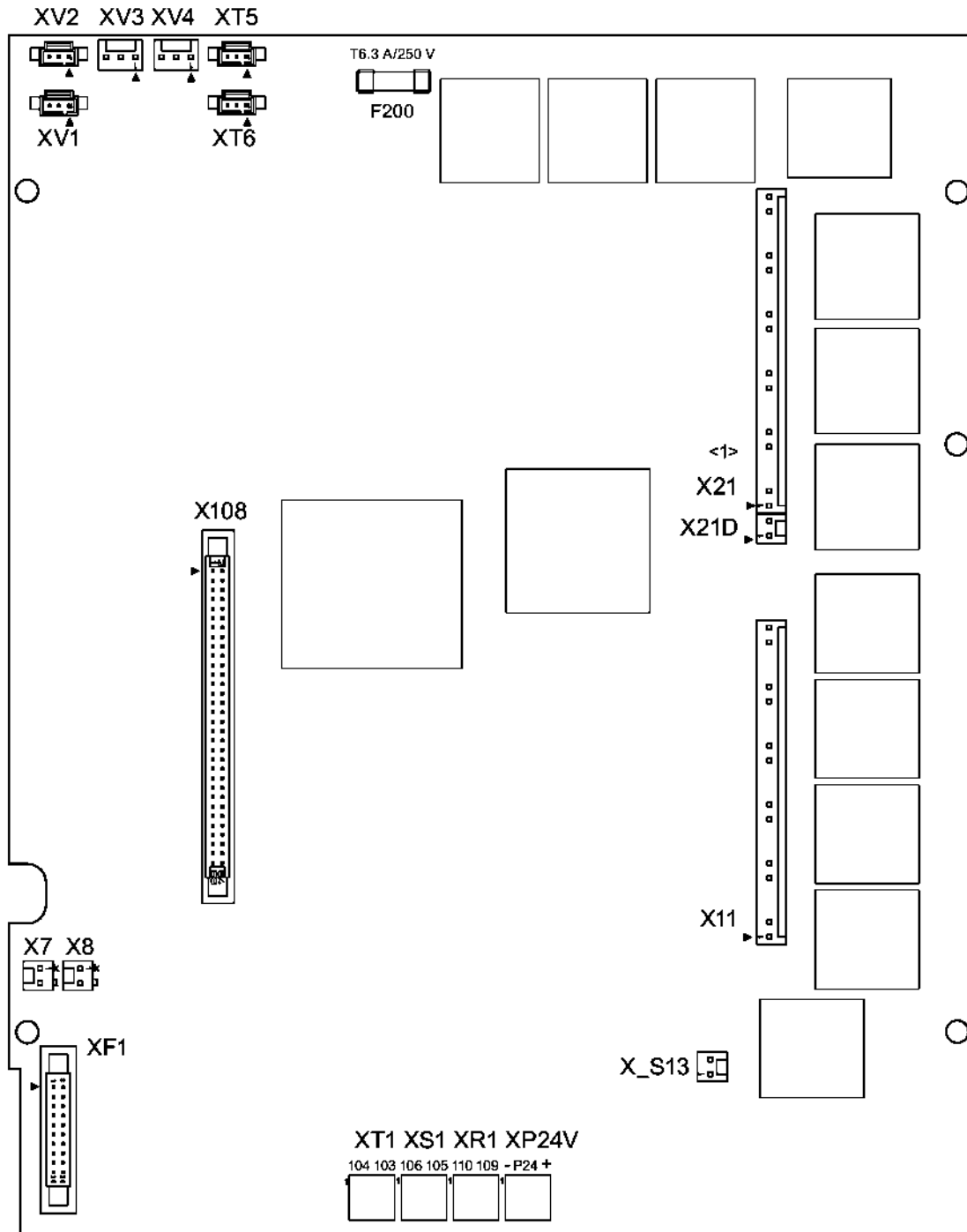


Figure 6-45 Terminal/connector arrangement on the "Power Interface for 4Q devices, 400 - 600 V with DC electronic power supply"

Module - Power Interface for 690 - 950 V devices with DC electronic power supply



<1> Connector X21 not fitted on 2Q devices
 Connector X21D not fitted on 4Q devices

Figure 6-46 Terminal/conconnector arrangement on the "Power Interface for 690 - 950 V devices with DC electronic power supply"

Module - 15/30 A power unit

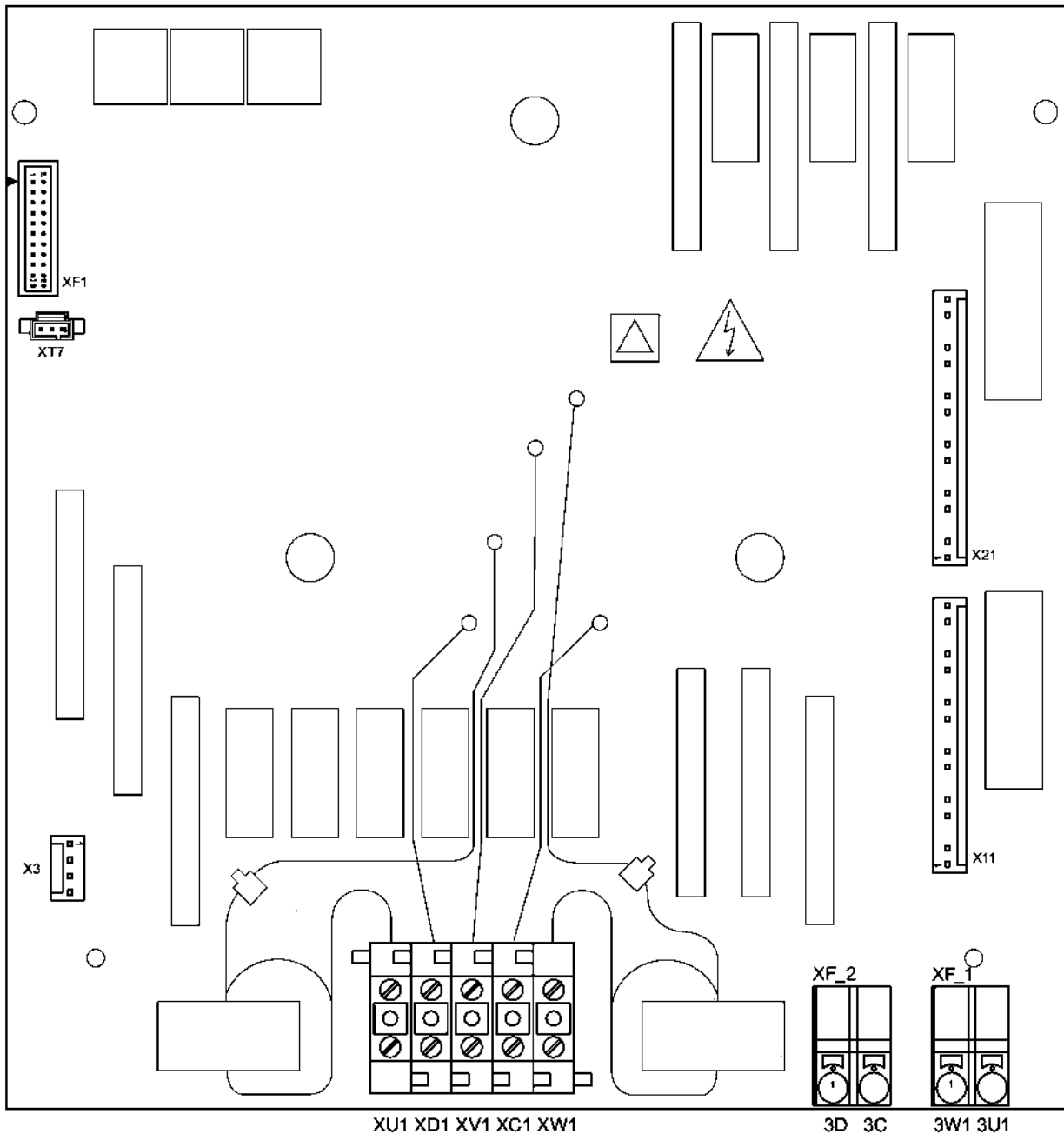


Figure 6-47 Terminal/connector arrangement on the "15/30 A power unit"

Modules for option G63

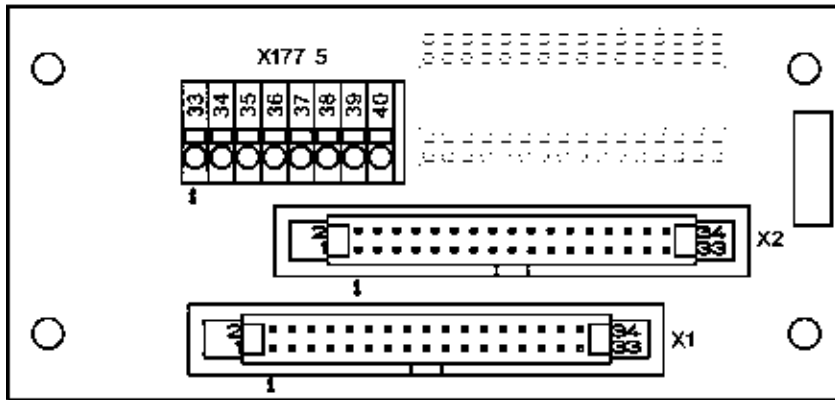


Figure 6-48 Terminal/connector arrangement on the "Cabinet Board"

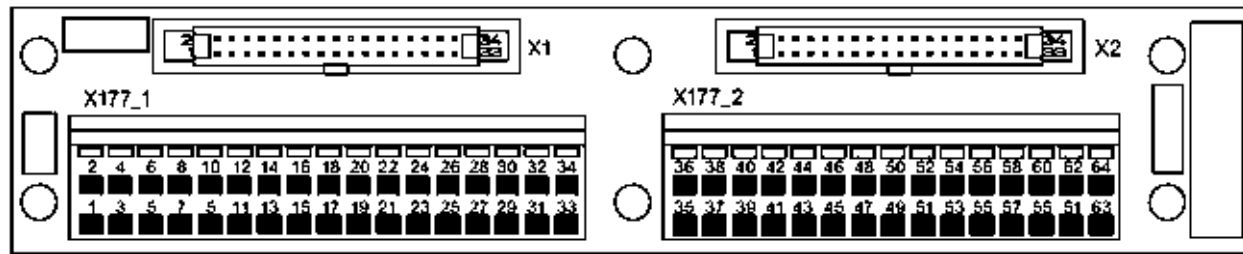


Figure 6-49 Terminal arrangement on the "Terminal Module Cabinet (TMC)"

Module - 10 to 30 A field module

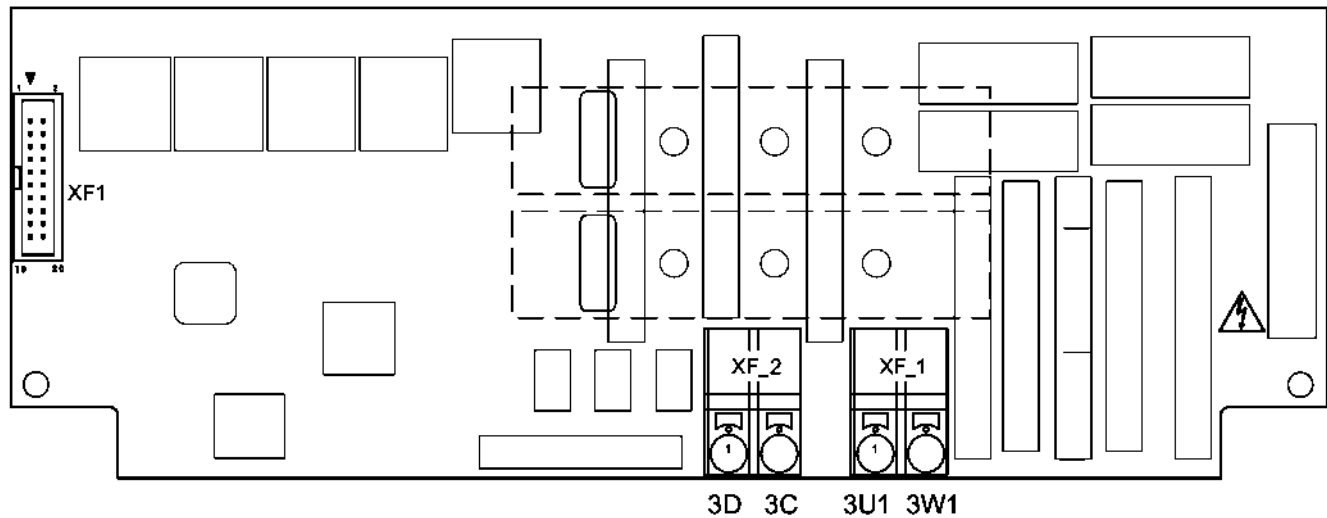


Figure 6-50 Terminal/connector arrangement on the "10 to 30 A field module"

"Connector Board" module

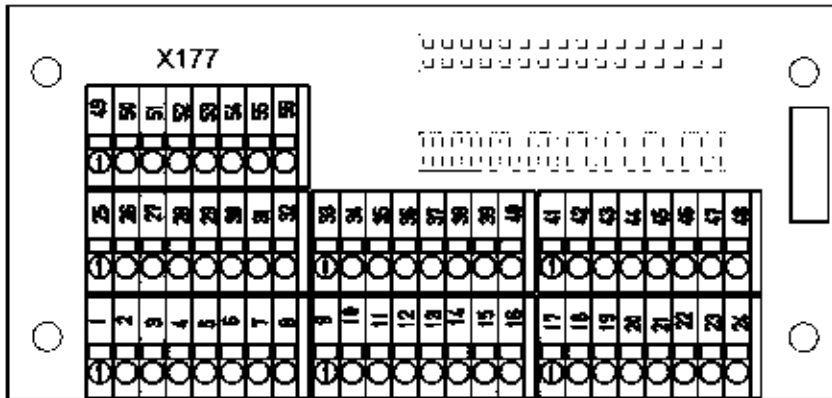


Figure 6-51 Terminal/connector arrangement on the "Connector Board"

6.9 Assignment of terminals and connectors

WARNING

Connecting the device incorrectly can lead to damage or destruction.
Power cables and busbars must be mechanically fastened in place outside of the device.

NOTICE

The information regarding the connection capability of the terminals in the tables below is based on values from the terminal data sheets. The connecting cables must be dimensioned for the currents that will flow.

Overview

Table 6- 21 Terminals and connectors overview

1U1, 1V1, 1W1, 1C1, 1D1	Power unit
3U1, 3W1, 3C, 3D	Exciter circuit
4U1, 4V1, 4W1, 4N1	Fan
5U1, 5W1, 5N1	Devices with "Power interface with AC electronic power supply"
XP24V	Devices with "Power interface with DC electronic power supply"
X100, X101	DRIVE-CLiQ
X126	PROFIBUS
X165, X166	Parallel interface
X177 for option G63: X177_1, X177_2, X177_5	Analog inputs, digital inputs, digital outputs, setpoints, reference voltage (P10/N10), serial interface (peer-to-peer), incremental encoder, analog outputs, temperature sensor
X178, X179	Interface to AOP30, USS interface
XR1	Relay output for line contactor (up to 240 V)
XS1	Safety shutdown E-STOP
XT1	Analog tachometer

6.9.1 Power unit

Table 6- 22 Connection system for the power connections 1U1, 1V1, 1W1, 1C1, 1D1

Devices	Permissible connection type	
	Connections 1U1, 1V1, 1W1	Connections 1C1, 1D1
15 A - 30 A	Cable	Cable
60 A - 850 A	Cable, busbars	Cable, busbars
900 A - 1200 A	Cable, busbars	Busbars
1500 A - 3000 A	Cable, busbars	Cable, busbars
<p>Handling the contact surfaces of busbar connections: All contact surfaces must be clean and may not be damaged.</p> <ul style="list-style-type: none"> Busbars manufactured out of Cu, Al, Al-Mg-Si: The contact surfaces should be bare metal (e.g. use a file brush, abrasive stone). Use separate brushes for Cu and Al, mark appropriately. Immediately apply acid-free Vaseline (for example, Shell 8422) to aluminum busbars. Apply the appropriate grease to the contact points of the Al busbars approx. 10 mm beyond the contact surface. Do not apply grease to copper busbars. Nickel-plated copper busbars: Wipe the contact surfaces with a clean, dry cloth. If the nickel-plated surfaces are slightly oxidized, then remove these oxide layers before bolting. It is not permissible to use a steel brush or similar. 		
<p>Note: The clearances required between the power connections (12.7 mm / 1/2 ") must not be fallen below. Otherwise, insulating elements must be inserted.</p>		

Table 6- 23 Terminal type, power connections for 15 A and 30 A devices

Type	KDS 10 PC board terminal
Connection capacity	Rigid/flexible/conductor sizes (mm ² /mm ² /AWG): 0.5-16 / 0.5-10 / 20-6 Flexible with end sleeve with/without plastic sleeve: 0.5-10/0.5-10 mm ²
Stripped length	12 mm
Tightening torque	1.2 - 1.5 Nm

Table 6- 24 Terminal type, power connections for devices of 60 A and above

Devices	Data
60 A - 210 A	1U1, 1V1, 1W1: 3x20 mm aluminum busbar, through hole for M8 1C1, 1D1: 5x20 mm aluminum busbar, through hole for M8
	Max. conductor cross-section for cables with cable lug according to DIN 46234: 1U1, 1V1, 1W1, 1C1, 1D1: 2x95 mm ²
	Tightening torque for 1U1, 1V1, 1W1, 1C1, 1D1: 13 Nm Tightening torque for protective conductor: 25 Nm
280 A	1U1, 1V1, 1W1: 3x20 mm copper busbar, through hole for M8 1C1, 1D1: 5x20 mm copper busbar, through hole for M8
	Max. conductor cross-section for cables with cable lug according to DIN 46234: 1U1, 1V1, 1W1, 1C1, 1D1: 2x95 mm ²


6.9 Assignment of terminals and connectors

Devices	Data
	Tightening torque for 1U1, 1V1, 1W1, 1C1, 1D1: 13 Nm Tightening torque for protective conductor: 25 Nm
400 A - 450 A	1U1, 1V1, 1W1: 5x30 mm aluminum busbar, through hole for M10 1C1, 1D1: 5x35 mm aluminum busbar, through hole for M10
	Max. conductor cross-section for cables with cable lug according to DIN 46234: 1U1, 1V1, 1W1: 2x150 mm ² 1C1, 1D1: 2x185 mm ²
	Tightening torque for 1U1, 1V1, 1W1, 1C1, 1D1: 25 Nm Tightening torque for protective conductor: 50 Nm
600 A	1U1, 1V1, 1W1: 5x30 mm copper busbar, through hole for M10 1C1, 1D1: 5x35 mm copper busbar, through hole for M10
	Max. conductor cross-section for cables with cable lug according to DIN 46234: 1U1, 1V1, 1W1: 2x150 mm ² 1C1, 1D1: 2x185 mm ²
	Tightening torque for 1U1, 1V1, 1W1, 1C1, 1D1: 25 Nm Tightening torque for protective conductor: 50 Nm
720 A - 850 A	1U1, 1V1, 1W1, 1C1, 1D1: 5x60 mm copper busbar, through hole for M12
	Max. conductor cross-section for cables with cable lug according to DIN 46234: 1U1, 1V1, 1W1, 1C1, 1D1: 4x150 mm ²
	Tightening torque for 1U1, 1V1, 1W1, 1C1, 1D1: 44 Nm Tightening torque for protective conductor: 50 Nm
900 A - 1200 A	1U1, 1V1, 1W1, 1C1, 1D1: 6x80 mm copper busbar, insert nut M12
	Max. conductor cross-section for cables with cable lug according to DIN 46234: 1U1, 1V1, 1W1: 4x150 mm ²
	Tightening torque for 1U1, 1V1, 1W1, 1C1, 1D1: 44 Nm Tightening torque for protective conductor: 60 Nm
1500 A - 2000 A	1U1, 1V1, 1W1: 10x120 mm aluminum busbar, through hole for M12 1C1, 1D1: Aluminum busbar, cross-section 60 x 10 mm / 323 mm wide, insert nut M12
	Max. conductor cross-section for cables with cable lug according to DIN 46234: 1U1, 1V1, 1W1: 6x240 mm ² 1C1, 1D1: 8x240 mm ²
	Tightening torque for 1U1, 1V1, 1W1, 1C1, 1D1: 44 Nm Tightening torque for protective conductor: 60 Nm
2200 A - 3000 A	1U1, 1V1, 1W1: 10x120 mm copper busbar, through hole for M12 1C1, 1D1: Copper busbar, cross-section 60 x 10 mm / 323 mm wide, insert nut M12
	Max. conductor cross-section for cables with cable lug according to DIN 46234: 1U1, 1V1, 1W1: 6x240 mm ² 1C1, 1D1: 8x240 mm ²
	Tightening torque for 1U1, 1V1, 1W1, 1C1, 1D1: 44 Nm Tightening torque for protective conductor: 60 Nm
See Chapter Dimension drawings (Page 81) for how the protective conductor can be connected.	
Note: If the device is stored for a longer period of time, a layer of corrosion can form on the bare metal surfaces of the housing. Before connecting the protective conductor, this must be removed from the connection points.	

The devices are designed for a permanent line supply connection in accordance with EN 61800-5-1.

The conductor cross-sections (also for the protective conductor) must be determined in accordance with the applicable regulations that apply in each case – e.g. EN 60204-1.

Table 6- 25 Assignment of power connections

Terminal	Function	Technical specifications
1U1 1V1 1W1	Power unit line connection, armature circuit	See Chapter Technical data (Page 41)
	Protective conductor PE	
1C1 (1D1) 1D1 (1C1)	Motor connection, armature circuit	

6.9.2 Exciter circuit

Table 6- 26 Terminal type, connections for the exciter circuit

Devices with "15/30 A power unit" and devices with "10 to 30 A field module" (the terminals are located on the module):	
Type	ZFKDS 4-10 PC board terminal
Connection capacity	Rigid/flexible/conductor sizes (mm ² /mm ² /AWG): 0.2-6 / 0.2-4 / 24-10 Flexible with end sleeve with/without plastic sleeve: 0.25-4/0.25-4 mm ²
Stripped length	10 mm
Devices with "field supply power unit" with rated armature DC current = 900 - 1,200 A:	
Type	20E/4DS terminal strip
Connection capacity	Rigid/flexible (mm ² /mm ²): 6-16 / 6-10
Stripped length	8 mm
Tightening torque	1.5 Nm
Devices with "field supply power unit" with rated armature DC current = 1,500 - 3,000 A:	
Type	UK16N terminal block
Connection capacity	Rigid/conductor sizes (mm ² /AWG): 2.5-25 / 14-4 Flexible / conductor sizes (mm ² /AWG): 4-16 / 12-6
Stripped length	11 mm
Tightening torque	1.5 - 1.8 Nm
Devices with option L85 (with rated field DC current = 85 A):	
Type	UK35 terminal block
Connection capacity	Rigid/flexible/conductor sizes (mm ² /mm ² /AWG): 0.75-50 / 0.75-35 / 18-0/1 Flexible with end sleeve with/without plastic sleeve: 0.75-35/0.75-35 mm ²
Stripped length	16 mm
Tightening torque	3.2 - 3.7 Nm

6.9 Assignment of terminals and connectors

Table 6- 27 Assignment of connections for the exciter circuit

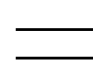
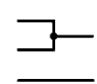
Terminal	Function	Technical specifications
XF1: 3U1, 3W1	Line connection	2-ph. 400 VAC (- 20%), 2-ph. 480 VAC (+10%)
XF2-1: 3D XF2-2: 3C	Field winding connection	325/373 rated VDC voltage with 2-ph. 400/480 VAC line connection

6.9.3 Electronics power supply

Table 6- 28 Terminal type, electronic power supply

Type	MSTB 2.5/CIF plug-in terminal
Connection capacity	Rigid/flexible/conductor sizes (mm ² /mm ² /AWG): 0.2-2.5 / 0.2-2.5 / 24-12 Flexible with end sleeve with/without plastic sleeve: 0.25-2.5/0.25-2.5 mm ²
	Multi-conductor connection (two conductors of the same type and with same cross-section): Rigid/flexible: 0.2-1 / 0.2-1.5 Flexible with end sleeve with/without plastic sleeve: 0.25-1/0.5-1.5 mm ²
Stripped length	7 mm
Tightening torque	0.5 - 0.6 Nm

Table 6- 29 Assignment of terminals for the electronic power supply

Terminal XP1	Connection	Function	Technical specifications
5U1 5W1 5N1	 NC	400 V infeed	2-ph. 380 (-25%) to 480 VAC (+10%); In=1 A (-35% for 1 min.) Internal protection with F200, F201 on the "Power interface with AC electronic power supply" module External protection max. 6 A, characteristic C recommended
or			
5U1 5W1 5N1		230 V infeed	1-ph. 190 (-25%) to 240 VAC (+10%); In=2 A (-35% for 1 min.) Internal protection with F200, F201 on the "Power interface with AC electronic power supply" module External protection max. 6A, characteristic C recommended
"Power interface with AC electronic power supply" module			

Note

In the case of line voltages that fall outside the tolerance range specified in Chapter 4, the electronic supply voltage, exciter circuit line supply connection, and device fan connection must be adapted using transformers in order to comply with the value indicated as permissible by Chapter 4. It is absolutely essential that you use an isolation transformer for rated line voltages above 480 V for safe electrical isolation.

The rated value of the supply voltage for the armature circuit (index 0) and for the field circuit (index 1) must be set at p50078.

With option L05

Table 6- 30 Terminal type, electronic power supply

Type	MSTB 2.5/CIF plug-in terminal
Connection capacity	Rigid/flexible/conductor sizes (mm ² /mm ² /AWG): 0.2-2.5 / 0.2-2.5 / 24-12 Flexible with end sleeve with/without plastic sleeve: 0.25-2.5/0.25-2.5 mm ²
Stripped length	7 mm
Tightening torque	0.5 - 0.6 Nm

Table 6- 31 Assignment of terminals for the electronic power supply



Terminal	Function	Technical specifications
XP24V		
+	24 V infeed	18 to 30 VDC; current consumption 1 A ... 5 A Recommended conductor cross-section 1.5 mm ² Internal protection with F200 (6.3 A, time-lag), External protection 6 A ... 16 A, B or C characteristic
-		
"Power interface with DC electronic power supply" module		


6.9.4 FanTable 6- 32 Terminal type, fan connections for devices ≥ 400 A with forced ventilation

Type	DFK-PC4 plug-in terminal
Connection capacity	Rigid/flexible/conductor sizes (mm ² /mm ² /AWG): 0.2-4 / 0.2-4 / 24-10

The connecting leads must be insulated up to the point where they meet the terminal enclosure.

Table 6- 33 Terminal assignment for fan connection

Terminal	Function	Technical specifications
4U1 4V1 4W1	400 to 460 V infeed	3-ph. 400 to 460 VAC with phase sequence L1; L2; L3 (clockwise phase sequence) For additional data, refer to the technical data in Chapter 4.
	Protective conductor PE	
or		
4U1 4N1	230 V infeed	1-ph. 230 VAC For additional data, refer to the technical data in Chapter 4.
	Protective conductor PE	

 WARNING
<p>An incorrect phase sequence (counter-clockwise phase sequence = fan rotates the wrong way) may create a risk of the device overheating.</p> <p>Check: If the fan rotor rotates in a counter-clockwise direction (to the left) when viewed from above, then the direction of rotation is correct.</p> <p>Notice: Risk of injury due to rotating parts.</p>

6.9.5 Open-loop and closed-loop control section

Table 6- 34 Terminal type, open-loop and closed-loop control section

X177, X177_5 (for option G63):	
Type	SPT 1.5 spring-loaded terminal
Connection capacity	Rigid/flexible/conductor sizes (mm ² /mm ² /AWG): 0.2-1.5 / 0.2-1.5 / 24-16 Flexible with end sleeve with/without plastic sleeve: 0.25-1.5 / 0.25-0.75 mm ² (stripped length 8 mm)
Stripped length	10 mm
X177_1, X177_2 (for option G63):	
Type	Two-tier terminal with spring-loaded terminal PK 68
Connection capacity	Rigid/flexible 0.5-2.5 mm ²
X178, X179:	
Type	FMC 1.5 plug-in terminal
Connection capacity	Rigid/flexible/conductor sizes (mm ² /mm ² /AWG): 0.2-1.5 / 0.2-1.5 / 24-16 Flexible with end sleeve with/without plastic sleeve: 0.25-1.5 / 0.25-0.75 mm ²
Stripped length	10 mm
XR1, XS1, XT1:	
Type	MSTB 2.5/CIF plug-in terminal

Connection capacity	Rigid/flexible/conductor sizes (mm ² /mm ² /AWG): 0.2-2.5 / 0.2-2.5 / 24-12 Flexible with end sleeve with/without plastic sleeve: 0.25-2.5 / 0.25-2.5 mm ²
Stripped length	7 mm
Tightening torque	0.5 - 0.6 Nm
X126:	
Type	Submin D, 9-pin
X100, X101:	
Type	Modular jack 8/4 (RJ45)

Terminals at the Power Interface (analog tachometer, E-STOP, relay for line contactor)

Table 6- 35 Terminals XR1, XS1, XT1

Terminal	Function	Technical specifications
Analog tachometer		
XT1-103	Tachometer connection 8 to 270 V	±270 V Input resistance 159 kΩ
XT1-104	Ground, analog M	Resolution ±14 bits
Safety shutdown E-STOP		
XS1-105	Input (switch)	I _e = 20 mA
XS1-106	Supply (output)	24 VDC, max. load 50 mA, short-circuit proof
Potential-free relay output		
XR1-109 XR1-110	Relay for line contactor	Current carrying capacity: ≤ 250 VAC, 4 A; cosφ = 1 ≤ 250 VAC, 2 A; cosφ = 0.4 ≤ 30 VDC, 2 A External protection: max. 4 A, characteristic C recommended Devices that have option L05 (with "Power interface with DC electronic power supply") require external protection with max. 6.3 A.
"Power Interface 400 - 600 V" or "Power Interface 690 - 950 V" module		

Terminals on the Connector Board

Also refer to "Inputs/Outputs" in the section titled "Descriptions of functions".

Table 6- 36 Assignment, terminal X177

Terminal X177	Function	Technical specifications
Analog inputs (assignable inputs)		
1 2	AI 3 + AI 3 -	Analog input 3
3 4	AI 4 + AI 4 -	Analog input 4
5 6	AI 5 + AI 5 -	Analog input 5
7 8	AI 6 + AI 6 -	Analog input 6
Digital inputs (assignable inputs)		
9 10	24 V DC	24 V supply (output)
11	DI 0	Digital input 0
12	DI 1	Digital input 1
13	DI 2	Digital input 2
14	DI 3	Digital input 3
Digital inputs/outputs (assignable inputs/outputs)		
15	DI/ DO 4	Digital input /output 4
16	DI/ DO 5	Digital input /output 5
17	DI/ DO 6	Digital input /output 6
18	DI/ DO 7	Digital input /output 7
19	DO 0	Digital output 0
20	DO 1	Digital output 1
21	DO 2	Digital output 2
22	DO 3	Digital output 3
23, 24	M	Ground, digital
Analog inputs, setpoint inputs (assignable inputs)		
25 26	AI 0 + AI 0 -	Analog input 0 Main setpoint

Terminal X177	Function		Technical specifications
27 28	AI 1 + AI 1 -	Analog input 1	- Current input 0 - 20 mA; 300 Ω or 4 - 20 mA; 300 Ω Resolution approx. 0.66 mV (±14 bits) Common-mode controllability: ±15 V
29 30	AI 2 + AI 2 -	Analog input 2	Input type (signal type): - Differential input ±10 V; 150 kΩ Resolution approx. 0.66 mV (±14 bits) Common-mode controllability: ±15 V Note: An external armature voltage actual value can also be connected at this input. See function diagram 6902 in the SINAMICS DCM List Manual.
Reference voltage			
31 32	P10 N10	Reference voltage ±10 V (output)	Tolerance ±1% at 25° C Stability 0.1% per 10° K 10 mA short-circuit proof
33, 34	M	Ground, analog	
Serial interface, peer-to-peer RS485			
35, 36	M	Ground, digital	
37	TX+	Send cable +	4-wire send cable, positive differential output
38	TX-	Send cable -	4-wire send cable, negative differential output
39	RX+	Receive cable +	4-wire receive cable, positive differential output
40	RX-	Receive cable -	4-wire receive cable, negative differential output
Incremental encoder input			
41	Incremental encoder supply		+13.7 to +15.2 V, 300 mA short-circuit proof (electronically protected) If overload occurs: alarm A60018
42	Ground, incremental encoder		
43	Track 1 positive connection		Load: ≤ 5.25 mA at 15 V (without switching losses) Pulse duty factor: 1:1 See below for data relating to cables, cable length, shield support, input pulse levels, hysteresis, track displacement, and pulse frequency.
44	Track 1 negative connection		
45	Track 2 positive connection		
46	Track 2 negative connection		
47	Zero mark positive connection		
48	Zero mark negative connection		
Analog outputs (assignable outputs)			
49	AO 0	Analog output 0	±10 V, max. 2 mA short-circuit proof, resolution ±15 bits
50	M	Ground, analog	
51	AO 1	Analog output 1	
52	M	Ground, analog	
Connections for temperature sensor (motor interface 1)			
53	Temp 1		Sensor acc. to p50490 (refer to SINAMICS DCM List Manual) The cable to the temperature sensor on the motor must be shielded
54	Temp 2 (sense cable)		

Terminal X177	Function	Technical specifications
55	Temp 3	<p>and connected to ground at both ends. The cables for the Temp 1 and Temp 3 connections to the temperature sensor must be approximately the same length. The sense cable (Temp 2) is used for compensating the cable resistances. If you are not using a sense cable, terminals 54 and 55 must be connected. Connection with/without sense cable:</p>
56	M	Ground, analog
Connector board module		

Characteristic values for the incremental encoder evaluation electronics

For supported encoder types, refer to the description of parameter p0400 and Appendix A.2 in the SINAMICS DCM List Manual.

Note

Incremental encoder evaluation via terminals X177.41 to 48 does not support any SSI encoders.

A Sensor Module Cabinet-Mounted SMC30 is required for evaluating SSI encoders (see the section titled "Additional system components").

NOTICE

Selecting the encoder type with p0400 does **not** result in any changes to the supply voltage for the incremental encoder (terminals X177.41 and 42).

Terminal X177.41 always supplies +15 V. An external power supply is required for incremental encoders with other supply voltages (e.g. +5 V).

Input pulse levels:

Encoder signals (symmetrical/asymmetrical) up to a maximum of 27 V differential voltage can be processed by the evaluation electronics.

The encoder type is selected using p0400. The evaluation electronics are adjusted electronically to the encoder signal voltage:

Rated input voltage	5 V	15 V
Encoder	TTL	HTL
Low signal level (differential voltage)	< 0.8 V	< 5.0 V
High signal level (differential voltage)	> 2.0 V	> 8.0 V
Hysteresis	> 0.2 V	> 1.0 V
Common-mode controllability	±10 V	±10 V

If the incremental encoder does not supply any symmetrical encoder signals, it must be grounded with each signal cable twisted in pairs and connected to the negative connections of track 1, track 2, and zero mark.

Switching frequency:

The maximum frequency of the encoder pulses is 300 kHz. To ensure the encoder pulses are evaluated correctly, the minimum distance (T_{min}) between two encoder signal edges (track 1, track 2), as listed in the table, must be adhered to.

Rated input voltage	5 V		15 V		
Differential voltage 1)	2 V	> 2.5 V	8 V	10 V	> 14 V
T_{min} 2)	630 ns	380 ns	630 ns	430 ns	380 ns

1) Differential voltage at the terminals of the evaluation electronics

2) The phase error LG (deviation from 90°) that may occur as a result of the encoder and cable can be calculated on the basis of T_{min} :

$$LG = \pm (90^\circ - fp \times T_{min} \times 360^\circ)$$

LG = Phase error

fp = Pulse frequency

T_{min} = Minimum edge distance

This formula only applies if the pulse duty factor of the encoder signals is 1:1.

If the incremental encoder is incorrectly matched to the encoder cable, disturbing cable reflections will occur at the receiving end. To ensure that encoder pulses of this type can be evaluated without errors, these reflections need to be damped. The limit values listed in the table below must be adhered to in order to prevent the resulting power losses in the evaluation electronics adaptor from being exceeded.

f_{max}	50 kHz	100 kHz	150 kHz	200 kHz	300 kHz
Differential voltage 3)	≤ 27 V	≤ 22 V	≤ 18 V	≤ 16 V	≤ 14 V

3) Differential voltage of encoder pulses without load (= approximately the supply voltage of the incremental encoder)

Cable, cable length, shield support:

The encoder cable capacitance must be recharged at each encoder edge change. The rms value of this current is proportional to the cable length and pulse frequency, and must not exceed the current permitted by the encoder manufacturer. A suitable cable that meets the recommendations of the encoder manufacturer must be used, and the maximum cable length must not be exceeded.

Generally speaking, a twisted cable pair with a single pair shield is sufficient for each track. This reduces crosstalk between the cables. Shielding all the pairs provides protection against interference pulses. The shield should be connected to the SINAMICS DC MASTER shield support over a large area.

Note

For connecting an incremental encoder (see also Chapter "Applications").



Figure 6-52 Arrangement X178 and X179

Serial interface to AOP30/USS interface

Table 6- 37 Terminal X178

Terminal X178	Function	Technical specifications
1	Supply (output)	24 VDC short-circuit proof, maximum load 200 mA Internal supply related to internal ground terminal
2	Ground, AOP M	
3	RX+/TX+	Send and receive cable, RS485, two-wire Positive differential input/output
4	RX-/TX-	Send and receive cable, RS485, two-wire Negative differential input/output
5	Ground, digital M	
6	Ground, digital M	
"Control Unit (CUD)" module		

Table 6- 38 Terminal X179

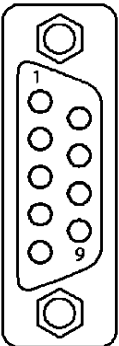
Terminal X179	Function	Technical specifications
1	Supply (output)	4.4 to 5.4 VDC short-circuit proof, maximum load 300 mA Internal supply related to internal ground terminal
2	Ground, digital M	
3	TXD1	Send cable, RS232 standard (V.24)
4	RXD1	Receive cable, RS232 standard (V.24)
5	TXD2	Send cable, RS232 standard (V.24)
6	RXD2	Receive cable, RS232 standard (V.24)
"Control Unit (CUD)" module		

Note

Only one of the two interfaces - RS485 (X178-3, 4) or RS232 (X179-3, 4) - may be used.

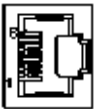
PROFIBUS connection

Table 6- 39 PROFIBUS connector assignment

Connector	Pin	Signal name	Technical specifications
	1	-	Not assigned
	2	-	Not assigned
	3	RxD/TxD-P	RS485 receive/transmit data P (B)
	4	CNTR-P	Control signal (TTL)
	5	DGND	PROFIBUS data ground
	6	VP	Positive supply voltage (5 V +/-10%)
	7	-	Not assigned
	8	RxD/TxD-N	RS485 receive/transmit data N (A)
	9	-	Not assigned
"Control Unit (CUD)" module			

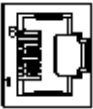
DRIVE-CLiQ

Table 6- 40 DRIVE-CLiQ connector assignment

Connector	Pin	Signal name	Technical specifications
	1	TXP	Transmit data +
	2	TXN	Transmit data -
	3	RXP	Receive data +
	4	-	Reserved, do not use
	5	-	Reserved, do not use
	6	RXN	Receive data -
	7	-	Reserved, do not use
	8	-	Reserved, do not use
	-	Shield	Permanently connected to ground
"Advanced CUD" module			

Parallel interface

Table 6- 41 Connector assignment, parallel interface

Connector	Pin	Signal name	Technical specifications
	1	SYNC_P	Synchronization +
	2	SYNC_N	Synchronization -
	3	CANH	CAN +
	4	-	Reserved, do not use
	5	-	Reserved, do not use
	6	CANL	CAN -
	7	-	Reserved, do not use
	8	-	Reserved, do not use
	-	Shield	Permanently connected to ground

Standard CUD, Advanced CUD module

Terminal assignment for option G63

The technical data for terminals X177_1, X177_2 and X177_5 corresponds to the specifications for terminal X177 on the Connector Board in the version without option G63, see Table 6-36 Assignment, terminal X177 X177 (Page 176).

Table 6- 42 Assignment of the terminals on the Terminal Module Cabinet (TMC) (overview)

Terminal	Function	Description	
X177_1, X177_2			
1st terminal block (X177_1)			
1, 2	AI 3 +, AI 3 -	Analog input 3	See X177.1 and 2
3, 4	AI 4 +, AI 4 -	Analog input 4	See X177.3 and 4
5, 6	AI 5 +, AI 5 -	Analog input 5	See X177.5 and 6
7, 8	AI 6 +, AI 6 -	Analog input 6	See X177.7 and 8
9, 10	24 VDC	24 V supply (output)	24 VDC, short-circuit proof Max. load 200 mA (terminals 9, 10, 57, 58, 59 and 60 combined), internal supply to digital ground and analog ground
11, 12, 13, 14	DI 0, 1, 2, 3	Digital input 0, 1, 2, 3	See X177.11, 12, 13, 14
15, 16, 17, 18	DI/DO 4, 5, 6, 7	Digital input/output 4, 5, 6, 7	See X177.15, 16, 17, 18
19, 20, 21, 22	DO 0, 1, 2, 3	Digital output 0, 1, 2, 3	See X177.19, 20, 21, 22, 23, 24
23, 24	M	Ground, digital	
25, 26	AI 0 +, AI 0 -	Analog input 0, main setpoint	See X177.25 and 26
27, 28	AI 1 +, AI 1 -	Analog input 1	See X177.27 and 28
29, 30	AI 2 +, AI 2 -	Analog input 2	See X177.29 and 30

Terminal	Function		Description
X177_1, X177_2			
31, 32	P10, N10	Reference voltage ± 10 V (output)	See X177.31, 32, 33, 34
33, 34	M	Ground, analog	
2nd terminal block (X177_2)			
35, 36	M	Ground, digital	See X177.35 and 36
37, 38	RS485: TX+, TX-	Send cable +, -	See X177.37 and 38
39, 40	RS485: RX+, RX-	Receive cable +, -	See X177.39 and 40
41, 42	Incremental encoder supply		See X177.41 and 42
43, 44	Incremental encoder track 1 +/-		See X177.43 and 44
45, 46	Incremental encoder track 2 +/-		See X177.45 and 46
47, 48	Incremental encoder zero mark +/-		See X177.47 and 48
49, 50	AO 0, M	Analog output 0, analog ground	See X177.49 and 50
51, 52	AO 1, M	Analog output 1, analog ground	See X177.51 and 52
53, 54, 55	Temp 1, 2, 3	Temperature sensor, motor interface 1	See X177.53, 54, 55
56	M	Ground, analog	See X177.56
57, 58, 59, 60	24 VDC	24 V supply (output)	24 VDC, short-circuit proof Max. load 200 mA (terminals 9, 10, 57, 58, 59 and 60 combined), internal supply to digital ground and analog ground
61, 62, 63, 64	M	Ground, digital	-
"Terminal Module Cabinet (TMC)" module			

Table 6- 43 Assignment of the terminals on the Cabinet Board (overview)

Terminal	Function		Description
X177_5			
33, 34	M	Ground, analog	-
35, 36	M	Ground, digital	See X177.35 and 36
37, 38	RS485: TX+, TX-	Send cable +, -	See X177.37 and 38
39, 40	RS485: RX+, RX-	Receive cable +, -	See X177.39 and 40
"Cabinet Board" module			

Note:

The terminals on X177_5 are connected in parallel to the terminals with the same name on the Terminal Module Cabinet (TMC).

Memory card slot

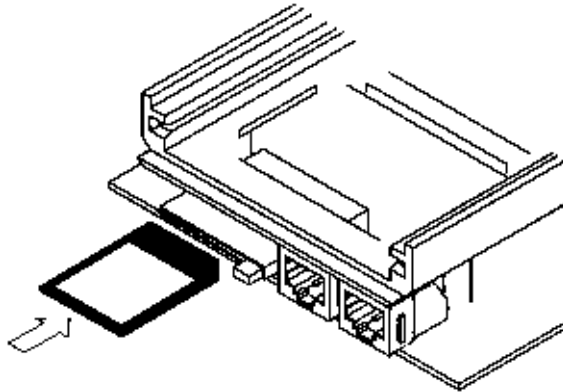


Figure 6-54 "Control Unit (CUD)" module, memory card slot

NOTICE

- The memory card may only be inserted as shown in the figure above.
- The memory card must not be removed or inserted while data is being saved. Procedure to safely remove the memory card, see Chapter "Operation", Section "Memory card functions".
- If you are returning a defective "Control Unit (CUD)" module, do not return the memory card along with it – instead, keep it so that you can use it in the replacement module.

A memory card is not required for the standard drive operation.

The memory card is needed in the following applications:

- Saving parameters
Parameters are saved on the memory card and can simply be copied onto a new CUD if it needs to be replaced.
- Software update
A software update is easy to carry out using a memory card.
- Loading additional languages onto the Advanced Operator Panel AOP30.
- Performing an offline long-time trace. See also Chapter Diagnostic memory (Page 598)
- Loading the DCC block library into the drive
- SINAMICS Link function: The SINAMICS Link function requires that the memory card is always inserted.
- Saving the Diagstor.spd diagnostics file to the \USER\SINAMICS\DATA\LOG directory. See also Chapter Trend recorder function (Page 598)

6.10 Installation notes for installation according to UL 508C

- "Solid state motor overload protection at 110 % of full-load current is provided in each model", or equivalent.
- "Integral solid state short circuit protection does not provide branch circuit protection. Branch circuit protection must be provided in accordance with the National Electrical Code and any additional local codes", or the equivalent.
- Blower motor protection type 3RV1011-0EA1 trimmed to 0.33 A manufactured by Siemens is to be provided for blower motor type R2D225-RA26-11 in drive model sizes C and D.
- Blower motor protection type 3RV1011-0GA1 trimmed to 0.50 A manufactured by Siemens is to be provided for blower motor Type R2D250-RA28-17 in drive model size E.
- Blower motor protection type 3FV1011-0KA1 trimmed to 1.25 A manufactured by Siemens is to be provided for blower motor Type RH28M-2DK.3F.1R in Drive model size F.

Table 6- 44 Overview of Frame Sizes (in mm)

Size	Width	Height	Depth	Line voltage (V)	Output current (A)
A	385	268	210	400, 480	15 - 30
B	385	268	250	400, 480, 575	60 - 280
C	625	268	275	400, 480, 575	400 - 600
D	700	268	310	400, 480, 575	760 - 850
E	780	268	435	400, 480, 575	1000 - 1200
F	880	448	505	400, 480, 575	1600 - 3000

Additional system components

Note

The components described here are used in several units in the SINAMICS family. The next chapter may, therefore, contain references to manuals for these units.

The SINAMICS DC MASTER supports the following components from the SINAMICS drive system:

CBE20	Communication Board
SMC30	Sensor Module Cabinet-Mounted
TM15	Terminal Module
TM31	Terminal Module
TM150	Terminal Module

In order to operate the SINAMICS DC MASTER with these components, it must be equipped with (an) Advanced CUD(s); see the list of options in Chapter 2.

The Communication Board CBE20 can be ordered as an option for the SINAMICS DC MASTER and is installed directly in the unit (in the OMI (Option Module Interface) slot of the CUD).

The SMC30, TM15, TM31 and TM150 modules are installed separately and connected to the SINAMICS DC MASTER via the DRIVE-CLiQ interface.

DRIVE-CLiQ interface

On the SINAMICS DC MASTER, up to three terminal modules TM15/TM31/TM150 can be connected to the DRIVE-CLiQ in any desired combination and in addition one Sensor Module Cabinet-Mounted SMC30 can be connected.

The CUD features two DRIVE-CLiQ ports (X100, X101). Any combination of the modules can be connected in series or in parallel. An SMC30 only possesses one DRIVE-CLiQ interface and is, therefore, always the last module on the bus.

7.1 Option Board: Communication Board Ethernet CBE20

7.1.1 Description

The SINAMICS DC MASTER can be connected to PROFINET using the Communication Board CBE20 interface module. The module supports PROFINET IO with Isochronous Realtime Ethernet (IRT) and PROFINET IO with RT. Mixed operation is not permissible. PROFINET CBA is not supported.

The option board has an X1400 interface with 4 ports for communication.

The Communication Board CBE20 allows SINAMICS Link connections and the connection to EtherNet/IP to be established.

Note

By inserting the CBE20, the IF1 communication channel switches over from PROFIBUS to PROFINET. Communication is therefore no longer possible via PROFIBUS.

7.1.2 Safety instructions

NOTICE
Damage or malfunctions of the Option Board by inserting and withdrawing during operation Withdrawing and inserting the Option Board during operation can damage it or cause it to malfunction. <ul style="list-style-type: none">• Only withdraw or insert the Option Board when the Control Unit is de-energized.

NOTICE
The CBE20 must only be operated by qualified personnel. The ESD information must be observed.

7.1.3 Interface description

7.1.3.1 Overview

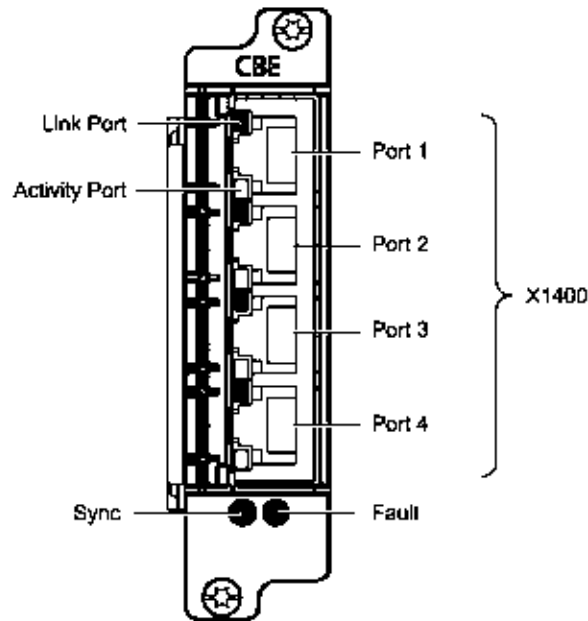


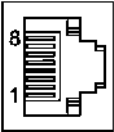
Figure 7-1 Interface description CBE20

MAC address

The MAC address of the Ethernet interface is located on the upper side of the board.

7.1.3.2 X1400 Ethernet interface

Table 7- 1 X1400 Ethernet, ports 1-4

	Pin	Signal name	Technical specifications
	1	RXP	Receive data +
	2	RXN	Receive data -
	3	TXP	Transmit data +
	4	Reserved, do not use	
	5	Reserved, do not use	
	6	TXN	Transmit data -
	7	Reserved, do not use	
	8	Reserved, do not use	
	Screened back-shell	M_EXT	Screen, permanently connected

Connector type: RJ45 socket

7.1 Option Board: Communication Board Ethernet CBE20

For diagnostic purposes, the ports have one green and one yellow LED (refer to "Meaning of the LEDs" for descriptions)

Cable and connector types

Information on PROFINET cables and connectors can be found in the following catalog:
 Industrial Communication
 Catalog IK PI, 2009 Edition,

7.1.4 Meaning of the LEDs

Table 7- 2 Meaning of the LEDs at ports 1 to 4 of the X1400 interface

LED	Color	Status	Description
Link port	-	Off	Electronics power supply is missing or outside permissible tolerance range (link missing or defective).
	Green	Continuous light	A different device is connected to port x and a physical connection exists.
Activity port	-	Off	Electronics power supply is missing or outside permissible tolerance range (no activity).
	Yellow	Flashing light	Data is being received or sent at port x.

Table 7- 3 Meaning of the Sync and Fault LEDs on the CBE20

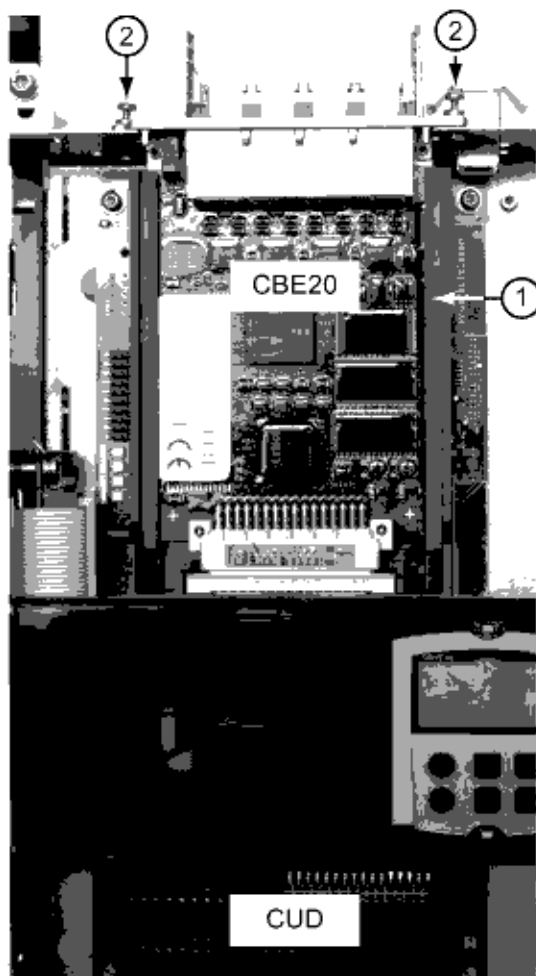
LED	Color	Status	Description
Fault	-	Off	If the link port LED is green: The CBE20 is operating normally, data is being exchanged with the configured IO Controller.
	Red	Flashing	<ul style="list-style-type: none"> The response monitoring interval has elapsed. Communications is interrupted. The IP address is incorrect. Incorrect or no configuration. Incorrect parameter settings. Incorrect or missing device name. IO Controller not connected/switched off, although an Ethernet connection has been established. Other CBE20 errors
		Continuous light	CBE20 bus error <ul style="list-style-type: none"> No physical connection to a subnet/switch. Incorrect transmission rate Full duplex transmission is not activated.

LED	Color	Status	Description
Sync	–	Off	If the link port LED is green: Control Unit task system is not synchronized with the IRT clock. An internal substitute clock is generated.
	Green	Flashing light	Control Unit task system has synchronized with the IRT clock and data is being exchanged.
		Continuous light	Task system and MC-PLL have synchronized with the IRT clock.

Table 7- 4 Meaning of the OPT LED on the Control Unit

LED	Color	Status	Description, cause	Remedy
OPT	–	OFF	Electronics power supply is missing or outside permissible tolerance range. Communication Board either defective or not inserted.	–
	Green	Continuous light	Communication Board is ready and cyclic communication is taking place.	–
		0.5 Hz flashing light	The Communication Board is ready, but cyclic communications is not running. Possible causes: <ul style="list-style-type: none"> At least one fault is present. Communication is being established. 	–
	Red	Continuous light	Cyclic communication via PROFINET has not yet been established. However, non-cyclic communication is possible. SINAMICS waits for a parameterizing/configuring telegram	–
		0.5 Hz flashing light	The firmware update into the CBE20 has been completed with an error. Possible causes: <ul style="list-style-type: none"> The CBE20 is defective. The memory card for the Control Unit is defective. CBE20 cannot be used in this state.	–
		2 Hz flashing light	There is a communications error between the Control Unit and the CBE20. Possible causes: <ul style="list-style-type: none"> Board was withdrawn after booting. The board is defective 	Correctly insert the board, if required, replace.
	Orange	0.5 Hz flashing light	Firmware is being updated.	–

7.1.5 Installation



Push the CBE20 into the option module interface ① on the CUD from above, and tighten the screws ②.

Tool: Torx T10 screwdriver

Tightening torque: 1 Nm

Installing the CBE20

7.1.6 Technical data

Table 7- 5 Technical data

Communication Board CBE20 6SL3055-0AA00-2EBx	Unit	Value
Max. current requirements (at 24 V DC)	A _{DC}	0,1
Power loss	W	2,4
Weight	kg	<0,1

7.2 Sensor Module Cabinet-Mounted SMC30

Supported types

The SINAMICS DC MASTER only supports the Sensor Module Cabinet-Mounted SMC30 with article number (MLFB) 6SL3055-0AA00-5CA2. Other types may not be used. You can easily identify whether the version is supported by the width of the module:

Table 7- 6 SMC30 types

SMC30 article number	Width	Use with SINAMICS DC MASTER
6SL3055-0AA00-5CA2	30 mm	Possible
6SL3055-0AA00-5CA0	50 mm	Not possible
6SL3055-0AA00-5CA1	50 mm	Not possible

Number of SMC30s connected

The SINAMICS DC MASTER supports the connection of **one** Sensor Module Cabinet-Mounted SMC30.

7.2.1 Description

The Sensor Module Cabinet-Mounted SMC30 evaluates encoder signals and transmits the speed, actual position value, and, if necessary, the motor temperature and reference point via DRIVE-CLiQ to the Control Unit.

The SMC30 is used to evaluate encoder signals from encoders with TTL, HTL, or SSI interfaces.

A combination of a TTL/HTL signal and SSI absolute signal is possible at terminals X521/X531 if both signals are derived from the same measured variable.

7.2.2 Safety instructions

WARNING

Danger to life through non-observance of the safety instructions

If the safety instructions in Chapter 1 are not observed, accidents can occur involving severe injuries or death.

- Make sure that the safety instructions are observed.

WARNING

Risk of fire through overheating if there are insufficient ventilation clearances

Inadequate ventilation clearances cause overheating with a risk for personnel due to smoke and fire. This can also result in more downtimes and reduced service lives of the Terminal Module.

- For this reason, it is imperative that you maintain the 50 mm clearances above and below the Terminal Module.

NOTICE

Shield support

When the encoder system is connected via terminals, make sure that the cable shield is connected to the component.

NOTICE

Device failure as a result of unshielded or incorrectly routed cables to temperature sensors

Unshielded or incorrectly routed cables to temperature sensors can result in interference being coupled into the signal processing electronics from the power side. This can result in significant disturbance of all signals (fault messages) up to failure of individual components (destruction of the devices).

- Only use shielded cables as temperature sensor cables.
- If temperature sensor cables are routed together with the motor cable, use separately shielded cables twisted in pairs.
- Connect the cable shield at both ends to ground potential over a large surface area.

Note

Risk of encoder failures by encoder signal disturbances

Unfavorable material combinations generate static electricity between the belt pulley and the belt. This electrostatic charge (several kV) can discharge via the motor shaft and the encoder which leads to disturbance of the encoder signals (encoder error).

- Use an antistatic version of the belt (special conductive polyurethane mixture).
-

 **WARNING**

Danger to life due to electric shock when disconnecting and connecting encoder cables during operation

When disconnecting plug-in connections during operation, arcs can result in severe injury or death.

- Only disconnect or connect the encoder cables to Siemens motors in a voltage-free state if hot-plugging has not been specifically released. When using direct measuring systems (third-party encoders), ask the manufacturer whether hot-plugging is permitted.
-

NOTICE

Damage when connecting an impermissible number of encoder systems

Damage results when more than the maximum permissible number of encoder systems are connected to a Sensor Module.

- Only connect one encoder system to a Sensor Module.
-

Note

Reduced interference immunity through equalization currents via the electronic ground

Make sure there is no electrical connection between the encoder system housing and the signal lines and the sensor system electronics.

If this is not carefully observed, under certain circumstances the system will not be able to reach the required interference immunity level (there is then a danger of equalization currents flowing through the electronics ground).

NOTICE

Damage through the use of incorrect DRIVE-CLiQ cables

Damage or malfunctions can occur on the devices or system when incorrect or unreleased DRIVE-CLiQ cables are used.

- Only use suitable DRIVE-CLiQ cables that have been released by Siemens for the respective application.
-

Note

Malfunctions due to polluted DRIVE-CLiQ interfaces

Malfunctions can occur in the system through the use of polluted DRIVE-CLiQ interfaces.

- Cover unused DRIVE-CLiQ interfaces with the supplied blanking covers.
-

Note

The safety instructions on the Sensor Module must be observed.

After the product has reached the end of its service life, the individual parts should be disposed of in compliance with local regulations.

7.2.3 Interface description

7.2.3.1 Overview

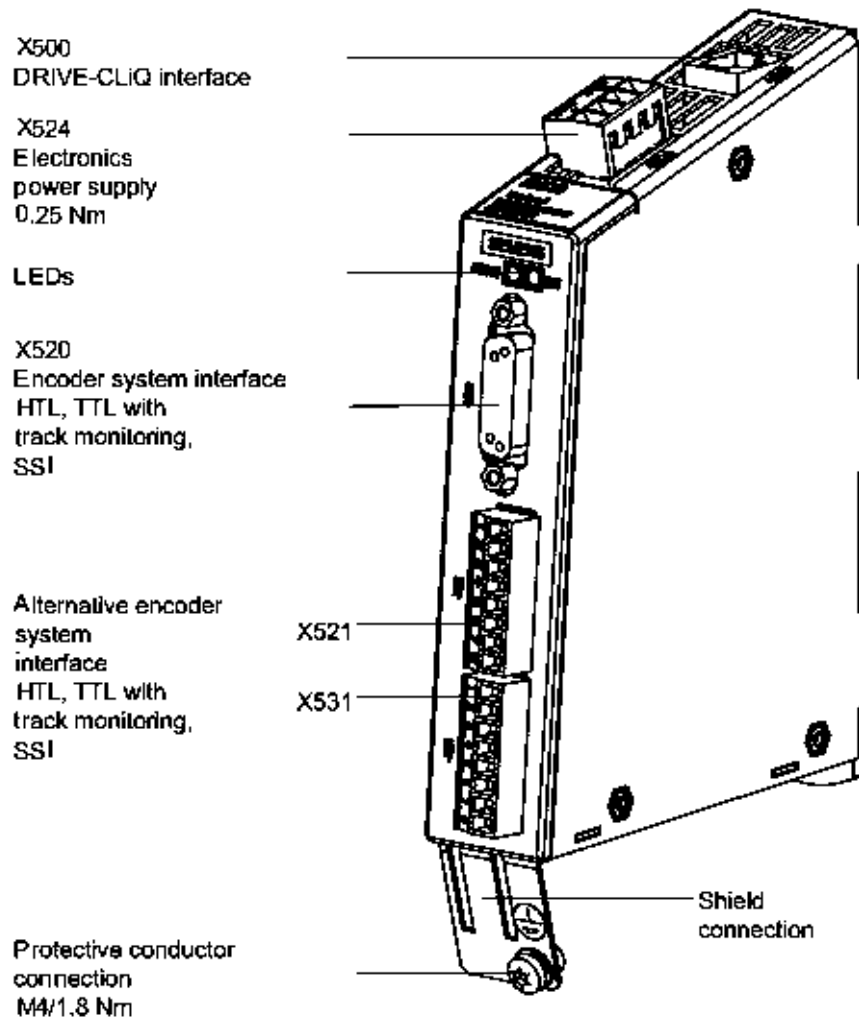
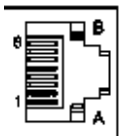


Figure 7-2 SMC30 interface description

7.2.3.2 X500 DRIVE-CLiQ interface

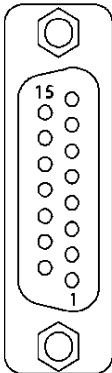
Table 7- 7 DRIVE-CLiQ interface X500

	Pin	Signal name	Technical specifications
	1	TXP	Transmit data +
	2	TXN	Transmit data -
	3	RXP	Receive data +
	4	Reserved, do not use	
	5	Reserved, do not use	
	6	RXN	Receive data -
	7	Reserved, do not use	
	8	Reserved, do not use	
	A	Reserved, do not use	
	B	M (0 V)	Electronics ground

Connector type: RJ45 socket; blanking plate for DRIVE-CLiQ interface included in the scope of delivery; blanking plate (50 pieces) Article number: 6SL3066-4CA00-0AA0

7.2.3.3 X520 encoder system interface

Table 7- 8 X520 encoder system interface

	Pin	Signal name	Technical specifications
	1	Reserved	Do not use
	2	Clock	SSI clock
	3	Clock*	Inverse SSI clock
	4	P encoder 5 V/24 V	Encoder supply
	5	P encoder 5 V/24 V	
	6	P sense	Sense input, encoder supply
	7	M encoder (M)	Ground, encoder supply
	8	Reserved	Do not use
	9	M sense	Ground for sense input
	10	R	Reference signal R
	11	R*	Inverse reference signal R
	12	B*	Inverse incremental signal B
	13	B	Incremental signal B
	14	A*/data*	Inverted incremental signal A/inverted SSI data
	15	A/data	Incremental signal A/SSI data

Connector type: SUB-D female, 15-pin

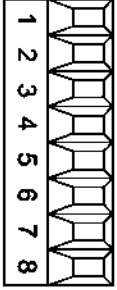
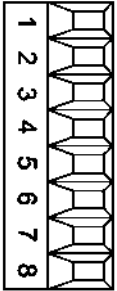
NOTICE**Destruction of the encoder due to an incorrect supply voltage**

The encoder supply voltage can be assigned as 5 V or 24 V. The encoder may be destroyed if you enter the wrong parameters.

- Select the appropriate motor supply voltage.

7.2.3.4 X521/X531 alternative encoder system interface

Table 7-9 X521/X531 alternative encoder system interface

	Pin	Designation	Technical specifications
X521 	1	A	Incremental signal A
	2	A*	Inverse incremental signal A
	3	B	Incremental signal B
	4	B*	Inverse incremental signal B
	5	R	Reference signal R
	6	R*	Inverse reference signal R
	7	CTRL	Control signal
	8	M	Ground
X531 	1	P_encoder 5 V/24 V	Encoder supply
	2	M_Encoder	Ground, encoder supply
	3	- Temp	Temperature sensor KTY84-1C130
	4	+ Temp	Temperature sensor KTY84-1C130
	5	Clock	SSI clock
	6	Clock*	Inverse SSI clock
	7	Data	SSI data
	8	Data*	Inverse SSI data
Max. connectable cross-section: 1.5 mm ² Measuring current via the temperature sensor connection: 2 mA When unipolar HTL encoders are used, A*, B*, and R* on the terminal block must be jumpered with M_Encoder (X531) ¹⁾ .			

¹⁾ Because the physical transmission properties are more robust, the bipolar connection should always be used. The unipolar connection should only be used if the encoder type does not output push-pull signals.



⚠ WARNING

Danger to life through electric shock due to unconnected cable shields

Hazardous touch voltages can occur through capacitive cross-coupling due to unconnected cable shields.

- Attach the cable shield to the component via terminals for the encoder system connection.

Temperature sensor connection

For the evaluation of the temperature sensor, see function diagram 8030 in the SINAMICS DCM List Manual.

NOTICE

Motor damage due to incorrectly connected KTY temperature sensor

A KTY temperature sensor connected with incorrect polarity cannot detect if the motor overheats. Overheating may result in damage to the motor.

- Connect a KTY temperature sensor with the correct polarity.

⚠ WARNING

Danger to life through electric shock due to flashover to the temperature sensor cable

Flashover to the signal electronics can occur on motors without safe electrical separation of the temperature sensors.

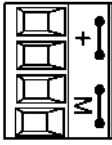
- Only use temperature sensors that satisfy the specifications for electrical separation according to IEC 61800-5-1.

Note

The maximum length of the temperature sensor cable is 100 m. The cables must be shielded.

7.2.3.5 X524 electronic power supply

Table 7- 10 X524 terminal strip

	Terminal	Function	Technical specifications
	+	Electronic power supply	Voltage: 24 V (20.4 – 28.8 V) Power consumption: Max. 0.55 A Max. current via the jumper in the connector: 20 A
	+	Electronic power supply	
	M	Electronics ground	
	M	Electronics ground	

Terminal type: Spring-loaded terminal
 Connectable conductor cross-section: Flexible, 0.08 mm² to 2.5 mm²
 Stripped length: 8 to 9 mm
 Tool: 0.4 × 2.0 mm screwdriver

Note

The two "+" or "M" terminals are jumpered in the connector. This ensures that the supply voltage is looped through.

7.2.4 Connection examples

Connection example 1: HTL encoder, bipolar, with reference signal

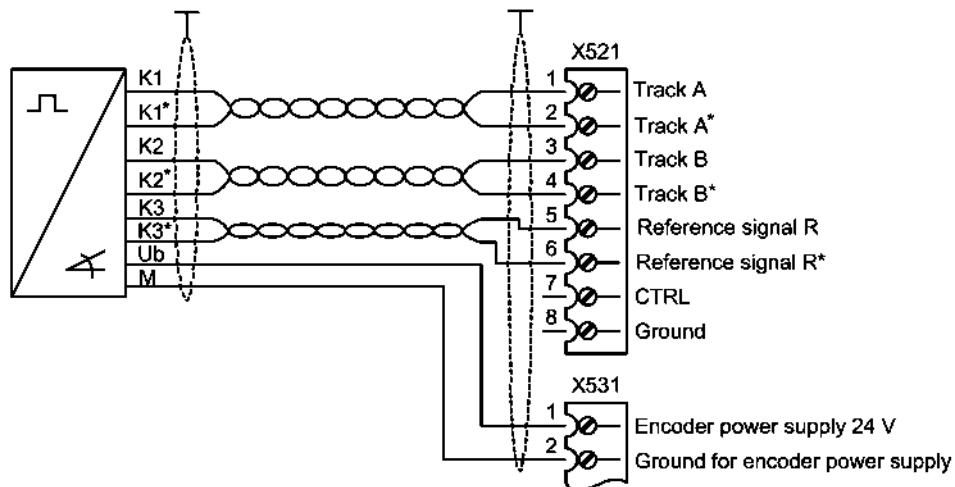


Figure 7-3 Connection example 1: HTL encoder, bipolar, with reference signal

Signal cables must be twisted in pairs in order to improve resistance to induced interference.

Connection example 2: HTL encoder, unipolar, with reference signal

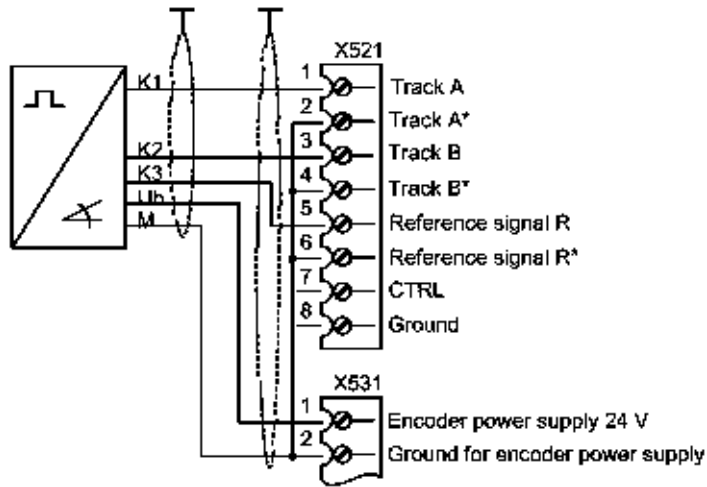


Figure 7-4 Connection example 2: HTL encoder, unipolar, with reference signal¹⁾

¹⁾ Because the physical transmission properties are more robust, the bipolar connection should always be used. The unipolar connection should only be used if the encoder type does not output push-pull signals.

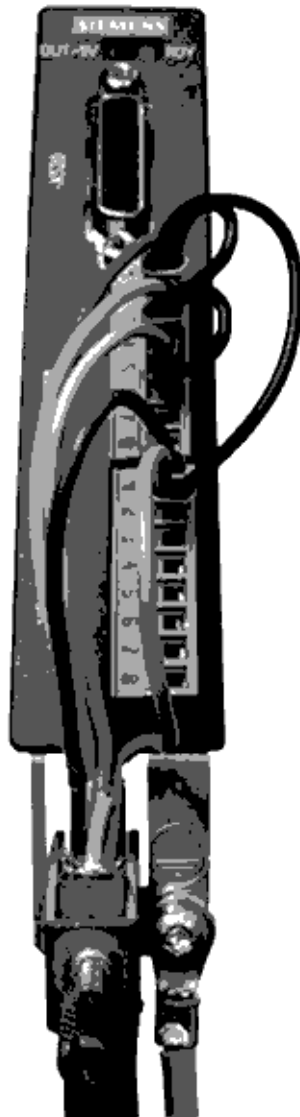


Figure 7-5 Photo of connection example 2

Note:

Display of the wire jumpers for connecting unipolar HTL encoders with reference signal

7.2.5 Meaning of the LEDs

Table 7- 11 Meaning of LEDs on the Sensor Module Cabinet SMC30

LED	Color	Status	Description, cause	Remedy
RDY READY	-	Off	Electronics power supply is missing or outside permissible tolerance range.	-
	Green	Continuous light	The component is ready for operation and cyclic DRIVE-CLiQ communication is taking place.	-
	Orange	Continuous light	DRIVE-CLiQ communication is being established.	-
	Red	Continuous light	At least one fault is present in this component. Note: The LED is activated regardless of whether the corresponding messages have been reconfigured.	Remedy and acknowledge fault
	Green/red	0.5 Hz flashing light	Firmware is being downloaded.	-
	Green/red	2 Hz flashing light	Firmware download is complete. Wait for POWER ON.	Carry out a POWER ON
	Green/orange or Red/orange	Flashing light	Component recognition via LED is activated (p0144). Note: Both options depend on the LED status when component recognition is activated via p0144 = 1.	-
OUT > 5 V	-	Off	Electronics power supply is missing or outside permissible tolerance range. Power supply \leq 5 V.	-
	Orange	Continuous light	Electronics power supply for encoder system available. Power supply > 5 V. Important: Make sure that the connected encoder can be operated with a 24 V power supply. If an encoder that is designed for a 5 V supply is operated with a 24 V supply, this can destroy the encoder electronics.	-

7.2.6 Dimension drawing

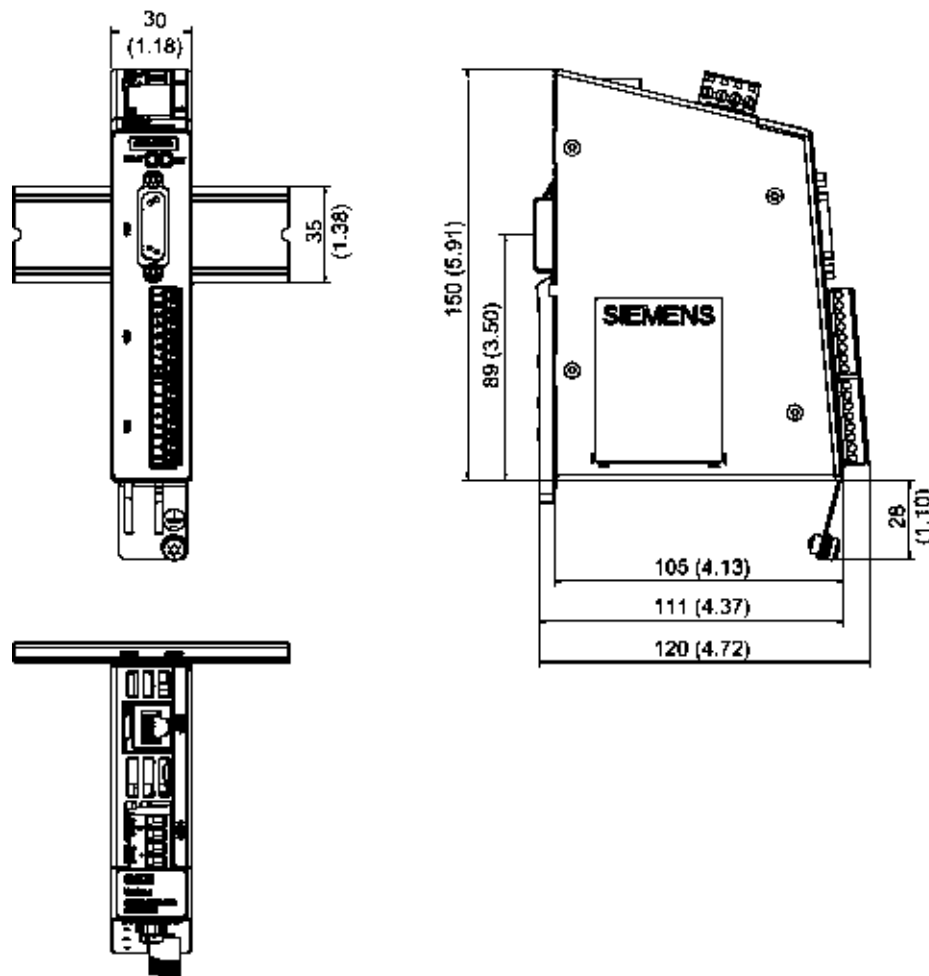


Figure 7-6 Dimension drawing of the Sensor Module Cabinet SMC30, all data in mm and (inches)

7.2.7 Installation

Assembly

1. Tilt the component backwards slightly and snap it onto the mounting rail using the hook.
2. Push the component towards the mounting rail until you hear the mounting slide at the rear latch into position.
3. You can now move the component to the left or right along the mounting rail, until it reaches its final position.

Disassembly

1. The lug on the mounting slide must first be pushed down to release the interlock from the mounting rail.
2. The component can now be tilted towards the front and removed from the mounting rail.

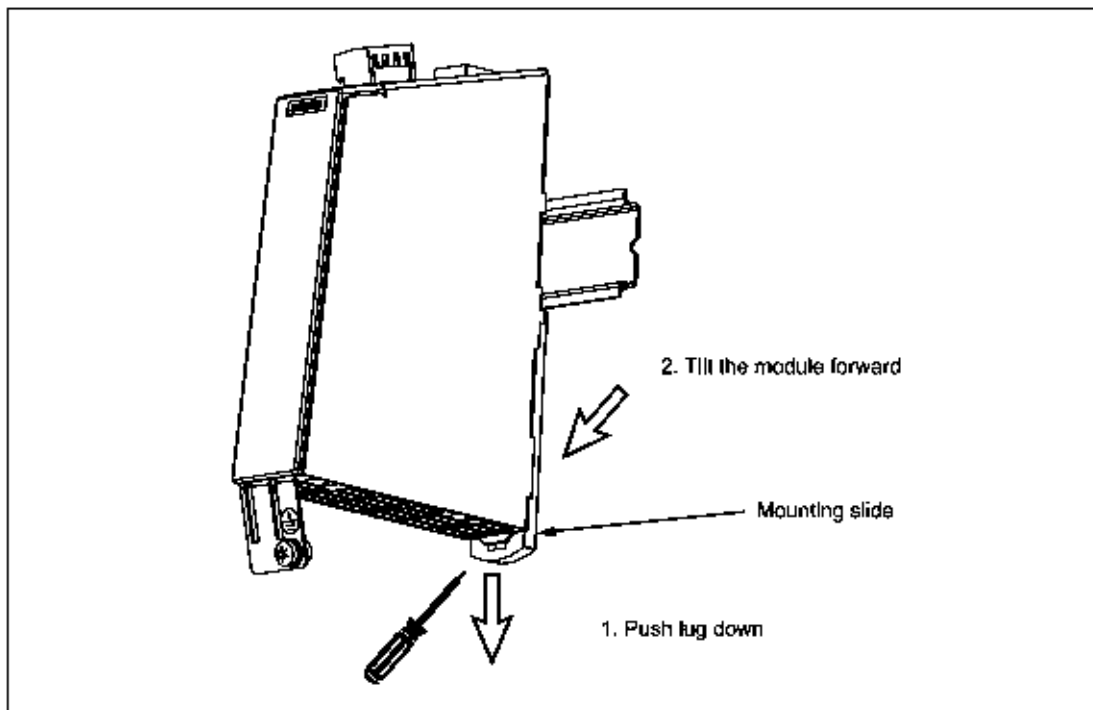
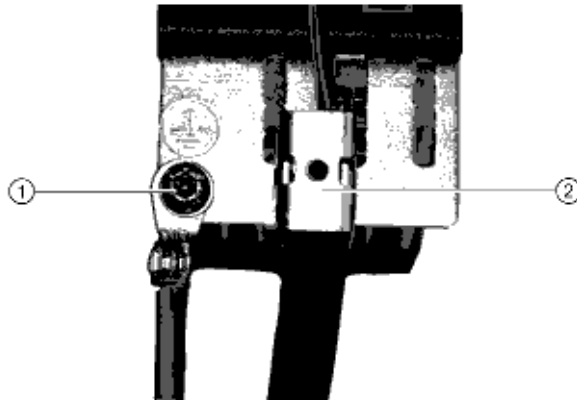


Figure 7-7 Removing from a mounting rail

7.2.8 Protective conductor connection and shield support

Shield supports are only required if the system is connected to X521/X531.



- ① Protective conductor connection M4 / 1.8 Nm
- ② Weidmüller
Type: KLBÜ CO 1
Order no. 1753311001

Figure 7-8 Shield supports for the SMC30

The bending radii of the cables must be observed (see MOTION-CONNECT description).

Note

Only use screws with a permissible mounting depth of 4 - 6 mm.

NOTICE
Damage or faulty operation due to incorrect shielding and impermissible cable lengths If the correct shielding procedures and the permissible cable lengths are not observed, the machine can be damaged or may malfunction. <ul style="list-style-type: none">• Only use shielded cables.• Do not exceed the cable lengths stated in the technical data.

7.2.9 Technical data

Table 7- 12 Technical data

Sensor Module Cabinet-Mounted SMC30	Unit	Value
Electronic power supply		
Voltage	V_{DC}	24 DC (20.4 – 28.8)
Current (without encoder system)	A_{DC}	≤ 0.20
Current (with encoder system)	A_{DC}	≤ 0.55
Power loss	W	≤ 10
Encoder system power supply		
Voltage	$V_{encoder}$	5 VDC (with or without Remote Sense) ¹⁾ or $V_{DC} - 1 V$
Current	$A_{encoder}$	0.35
Encoder frequency that can be evaluated ($f_{encoder}$)	kHz	≤ 300
SSI baud rate	kHz	100 - 1000 ²⁾
PE/ground connection		On enclosure with M4/1.8 Nm screw
Weight		0.45
Degree of protection		IP20 or IPXXB

- 1) A controller compares the encoder system supply voltage - sensed via the Remote Sense cables - with the reference supply voltage of the encoder system, and adjusts the supply voltage for the encoder system at the output of the drive module until the required supply voltage is obtained directly at the encoder system (only for 5 V encoder system power supply). Remote Sense only to X520.
- 2) See the diagram "Maximum cable lengths depending on the SSI baud rate for SSI encoders"

Connectable encoder systems

Table 7- 13 Specification of encoder systems that can be connected

Parameter	Designation	Threshold	Min.	Max.	Unit
High signal level (TTL bipolar at X520 or X521/X531) ¹⁾	U_{Hdiff}		2	5	V
Low signal level (TTL bipolar at X520 or X521/X531) ¹⁾	U_{Ldiff}		-5	-2	V
High signal level (HTL unipolar)	U_H	High	17	V_{CC}	V
		Low	10	V_{CC}	V
Low signal level (HTL unipolar)	U_L	High	0	7	V
		Low	0	2	V
High signal level (HTL bipolar) ²⁾	U_{Hdiff}		3	V_{CC}	V
Low signal level (HTL bipolar) ²⁾	U_{Ldiff}		$-V_{CC}$	-3	V
High signal level (SSI bipolar at X520 or X521/X531) ¹⁾	U_{Hdiff}		2	5	V
Low signal level (SSI bipolar at X520 or X521/X531) ¹⁾	U_{Ldiff}		-5	-2	V
Signal frequency	f_s		-	300	kHz

Parameter	Designation	Threshold	Min.	Max.	Unit
Edge clearance	t_{min}		100	-	ns
"Zero pulse inactive time" (before and after A=B=high)	t_{Lo}		640	$(t_{ALo-BHi} - t_{Hi})/2$ ³⁾	ns
"Zero pulse active time" (while A=B=high and beyond) ⁴⁾	t_{Hi}		640	$t_{ALo-BHi} - 2 \cdot t_{Lo}$ ³⁾	ns

- 1) Other signal levels according to the RS422 standard
- 2) The absolute level of the individual signals varies between 0 V and VCC of the encoder system.
- 3) $t_{ALo-BHi}$ is not a specified value, but is the time between the falling edge of track A and the next but one rising edge of track B.
- 4) Additional information on setting the "Zero pulse active time" can be found in the manual: /FH1/ SINAMICS S120, Function Manual, tolerant encoder monitoring for SMC30.

Table 7- 14 Connectable encoders

	X520 (SUB-D)	X521 (terminal)	X531 (terminal)	Track monitoring	Remote Sense ²⁾
HTL bipolar 24 V	No/yes	Yes		No/yes	No
HTL unipolar 24 V ¹⁾	No/yes	Yes (however, a bipolar connection is recommended) ¹⁾		No	No
TTL bipolar 24 V	Yes	Yes		Yes	No
TTL bipolar 5 V	Yes	Yes		Yes	To X520
SSI 24 V/5 V	Yes	Yes		No	No
TTL unipolar	No				

- 1) Because the physical transmission properties are more robust, the bipolar connection should always be used. The unipolar connection should only be used if the encoder type does not output push-pull signals.
- 2) A controller compares the encoder system supply voltage - sensed via the Remote Sense cables - with the reference supply voltage of the encoder system, and adjusts the supply voltage for the encoder system at the output of the drive module until the required supply voltage is obtained directly at the encoder system (only for 5 V encoder system power supply).

Maximum encoder cable length

Table 7- 15 Maximum encoder cable length

Encoder type	Maximum encoder cable length in m
TTL ¹⁾	100
HTL unipolar ²⁾	100
HTL bipolar	300
SSI	100

- 1) For TTL encoders at X520 → Remote Sense → 100 m
- 2) Because the physical transmission properties are more robust, the bipolar connection should always be used. The unipolar connection should only be used if the encoder type does not output push-pull signals.

SSI encoders

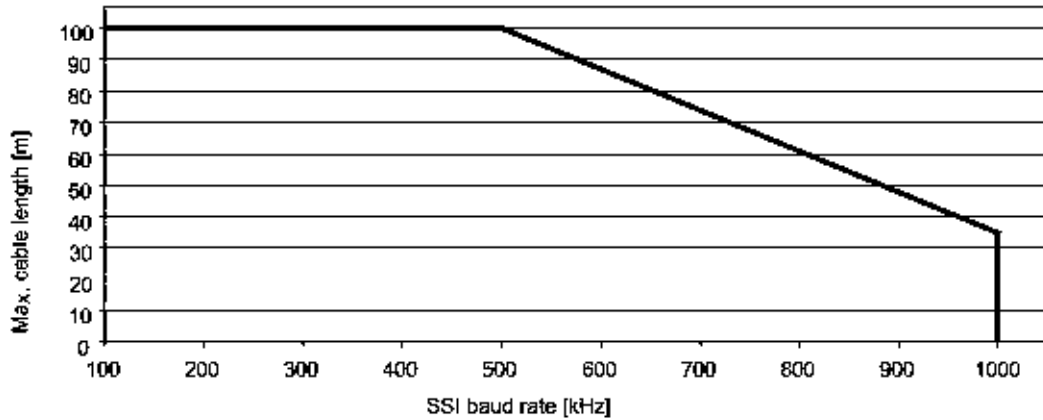


Figure 7-9 Maximum cable lengths depending on the SSI baud rate for SSI encoders

Encoders with 5 V supply connected to X521/X531

For encoders with a 5 V supply at X521/X531, the cable length depends on the encoder current (for 0.5 mm² cable cross-sections):

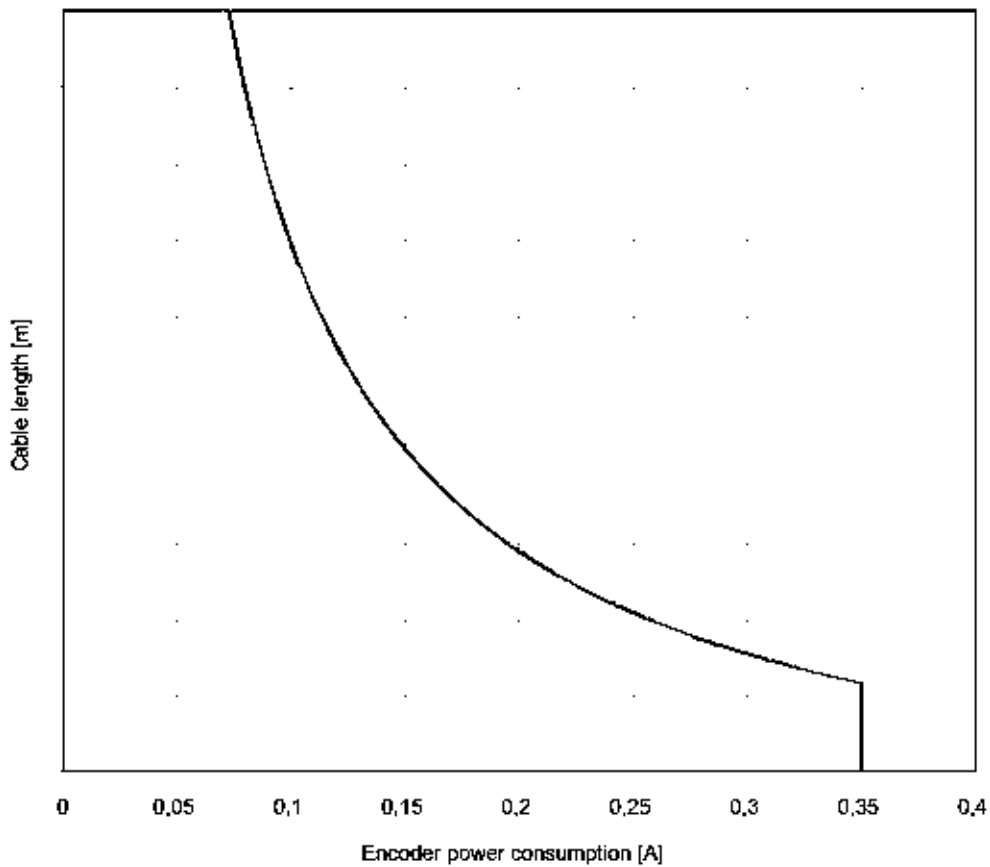


Figure 7-10 Max. cable length as a function of the encoder current drawn

For encoders without Remote Sense the permissible cable length is restricted to 100 m (reason: The voltage drop depends on the cable length and the encoder current).

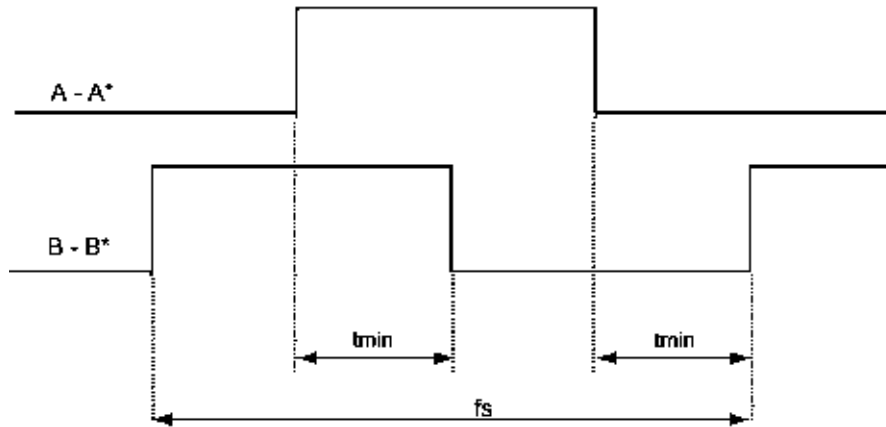


Figure 7-11 Signal characteristic of track A and track B between two edges: Time between two edges with incremental encoders

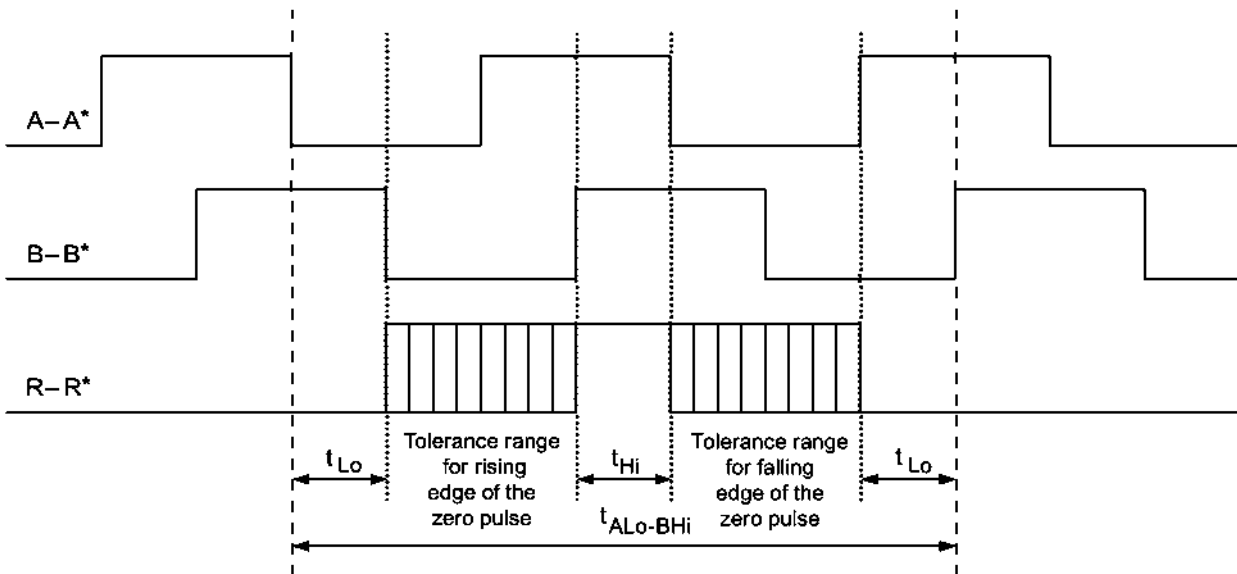


Figure 7-12 Position of the zero pulse to the track signals

7.3 Terminal Module TM15


7.3.1 Description


The Terminal Module TM15 is a terminal expansion for snapping on to an EN 60715 mounting rail. The TM15 can be used to increase the number of available digital inputs/outputs within a drive system.

Table 7- 16 Interface overview of the TM15

Type	Number
DRIVE-CLiQ interfaces	2
Digital inputs/outputs	24 (electrical isolation in 3 groups each with 8 DI/O)

7.3.2 Safety instructions

 WARNING
Danger to life through non-observance of the safety instructions If the safety instructions in Chapter 1 are not observed, accidents can occur involving severe injuries or death. <ul style="list-style-type: none">• Make sure that the safety instructions are observed.

 WARNING
Risk of fire through overheating if there are insufficient ventilation clearances Inadequate ventilation clearances cause overheating with a risk for personnel due to smoke and fire. This can also result in more downtimes and reduced service lives of the Terminal Module. <ul style="list-style-type: none">• For this reason, it is imperative that you maintain the 50 mm clearances above and below the Terminal Module.

NOTICE
Damage through the use of incorrect DRIVE-CLiQ cables Damage or malfunctions can occur on the devices or system when incorrect or unreleased DRIVE-CLiQ cables are used. <ul style="list-style-type: none">• Only use suitable DRIVE-CLiQ cables that have been released by Siemens for the respective application.

Note

Malfunctions due to polluted DRIVE-CLiQ interfaces

Malfunctions can occur in the system through the use of polluted DRIVE-CLiQ interfaces.

- Cover unused DRIVE-CLiQ interfaces with the supplied blanking covers.

7.3.3 Interface description

7.3.3.1 Overview

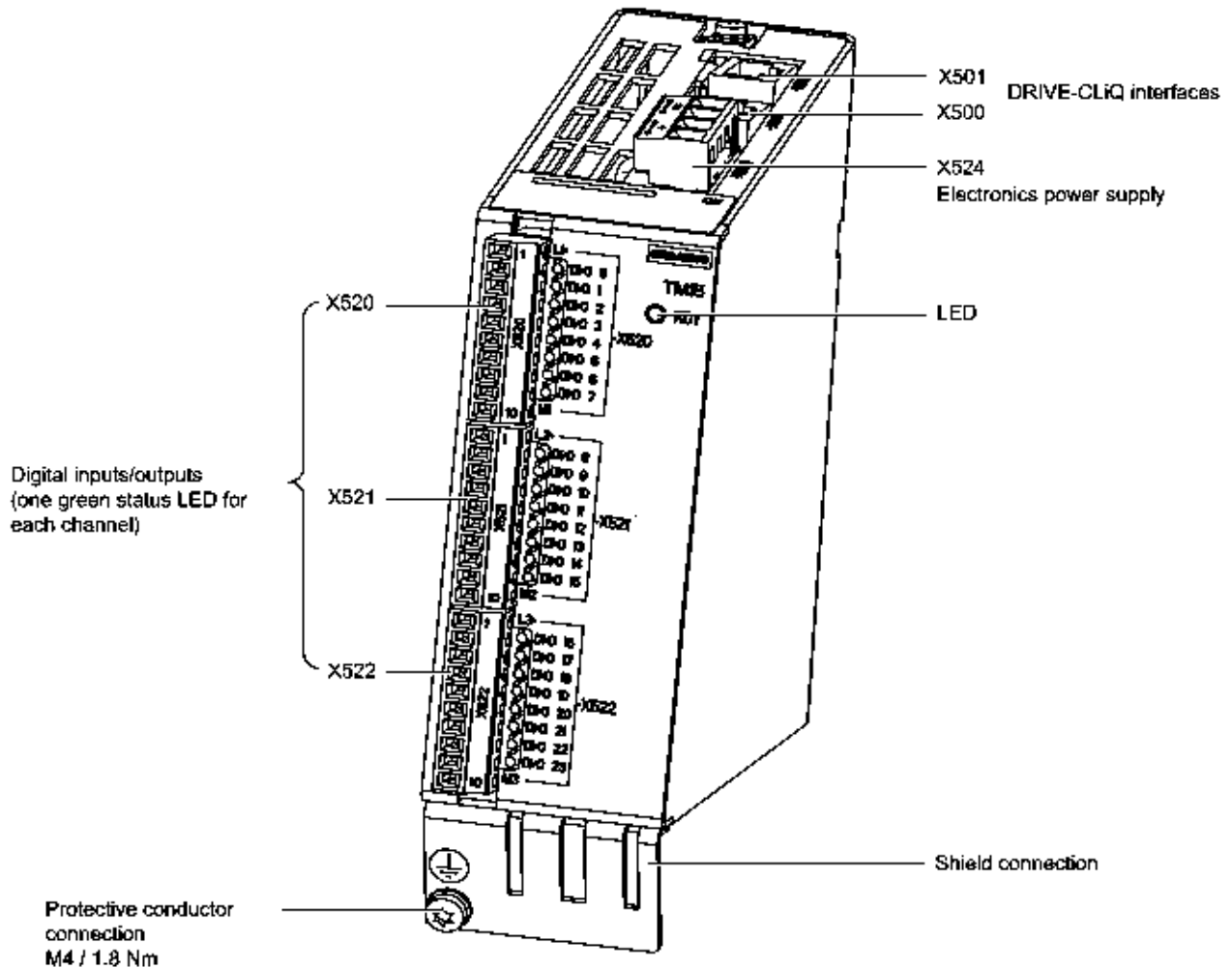



Figure 7-13 TM15 interface description

Terminal type

X520, X521, X522		
Terminal type	Spring-loaded terminal	
Connectable conductor cross-section	Rigid/flexible	0.14 mm ² ... 0.5 mm ²
	Flexible, with end sleeve without plastic sleeve	0.25 mm ² ... 0.5 mm ²
	AWG / kcmil	26 ... 20
Stripped length	8 mm	
Tool	0.4 × 2.0 mm screwdriver	
X524		
Terminal type	Spring-loaded terminal	
Connectable conductor cross-section	Flexible	0.08 mm ² ... 2.5 mm ²
Stripped length	8 ... 9 mm	
Tool	0.4 × 2.0 mm screwdriver	

7.3.3.2 X500 and X501 DRIVE-CLiQ interface

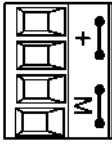
Table 7- 17 DRIVE-CLiQ interfaces X500 and X501

	Pin	Signal name	Technical specifications
	1	TXP	Transmit data +
	2	TXN	Transmit data -
	3	RXP	Receive data +
	4	Reserved, do not use	
	5	Reserved, do not use	
	6	RXN	Receive data -
	7	Reserved, do not use	
	8	Reserved, do not use	
	A	+ (24 V)	Power supply
	B	M (0 V)	Electronics ground

Blanking plate for DRIVE-CLiQ interfaces included in the scope of delivery;
 blanking plate (50 pieces) Article number: 6SL3066-4CA00-0AA0

7.3.3.3 X524 electronic power supply

Table 7- 18 Terminals for the electronic power supply

	Terminal	Designation	Technical specifications
	+	Electronic power supply	Voltage: 24 VDC (20.4 – 28.8 V) Power consumption: Max. 0.15 A Max. current via jumper in connector: 20 A
	+	Electronic power supply	
	M	Electronics ground	
	M	Electronics ground	

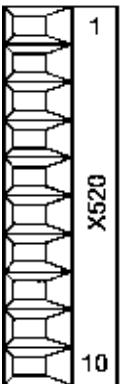
Note

The two "+" or "M" terminals are jumpered in the connector. This ensures that the supply voltage is looped through.

The current consumption increases by the value for the DRIVE-CLiQ node. The digital outputs are supplied via terminals X520, X521, and X522.

7.3.3.4 X520 digital inputs/outputs

Table 7- 19 Screw terminal X520

	Terminal	Designation ¹	Technical specifications
	1	L1+	See Section "Technical specifications"
	2	DI/O 0	
	3	DI/O 1	
	4	DI/O 2	
	5	DI/O 3	
	6	DI/O 4	
	7	DI/O 5	
	8	DI/O 6	
	9	DI/O 7	
	10	M1 (GND)	

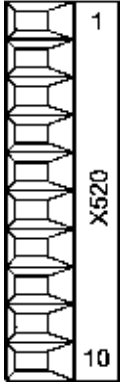
¹ L1+: A 24 VDC infeed for DI/O 0 to 7 (first potential group) must always be connected if at least one DI/O of the potential group is used as an output.

M1: A ground reference for DI/O 0 to 7 (first potential group) must always be connected if at least one DI/O of the potential group is used as either an input or an output.

DI/O: Digital I/O

7.3.3.5 X521 digital inputs/outputs

Table 7- 20 Screw terminal X521

	Terminal	Designation ¹	Technical specifications
	1	L2+	See Section "Technical specifications"
	2	DI/O 8	
	3	DI/O 9	
	4	DI/O 10	
	5	DI/O 11	
	6	DI/O 12	
	7	DI/O 13	
	8	DI/O 14	
	9	DI/O 15	
	10	M2 (GND)	

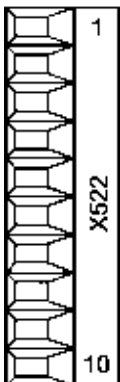
¹ L2+: A 24 VDC infeed for DI/O 8 to 15 (second potential group) must always be connected if at least one DI/O of the potential group is used as an output.

M2: A ground reference for DI/O 8 to 15 (second potential group) must always be connected if at least one DI/O of the potential group is used as either an input or an output.

DI/O: Digital I/O

7.3.3.6 X522 digital inputs/outputs

Table 7- 21 Screw terminal X522

	Terminal	Designation ¹	Technical specifications
	1	L3+	See Section "Technical specifications"
	2	DI/O 16	
	3	DI/O 17	
	4	DI/O 18	
	5	DI/O 19	
	6	DI/O 20	
	7	DI/O 21	
	8	DI/O 22	
	9	DI/O 23	
	10	M3 (GND)	

¹ L3+: A 24 VDC infeed for DI/O 16 to 23 (third potential group) must always be connected if at least one DI/O of the potential group is used as an output.

M3: A ground reference for DI/O 16 to 23 (third potential group) must always be connected if at least one DI/O of the potential group is used as either an input or an output.

DI/O: Digital I/O

7.3.4 Connection example

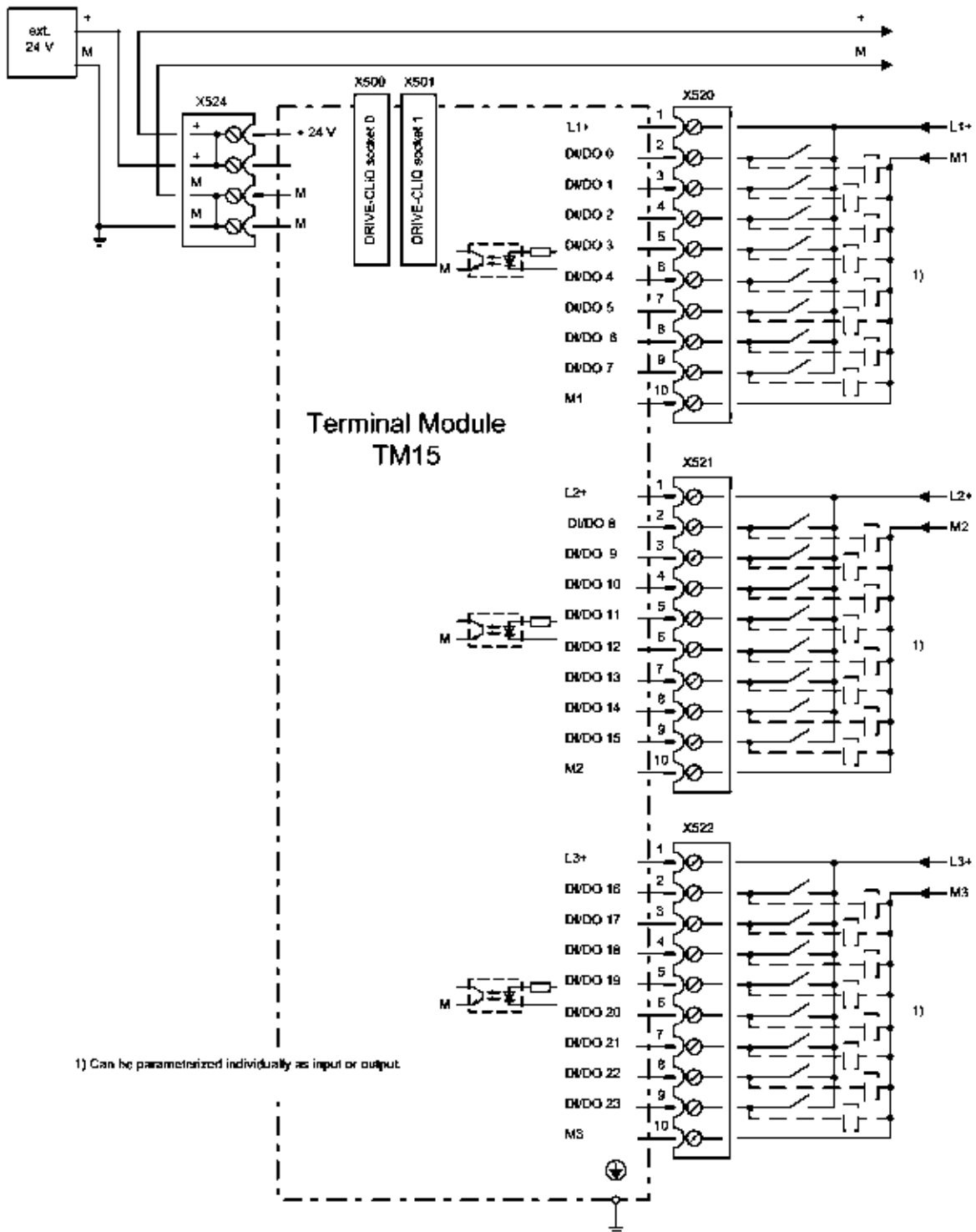


Figure 7-14 Example connection of TM15

7.3.5 Meaning of the LEDs on the Terminal Module TM15

Table 7- 22 Meanings of the LEDs on the Terminal Module TM15

LED	Color	Status	Description, cause	Remedy
READY	-	Off	The electronics power supply is missing or outside the permissible tolerance range.	-
	Green	Continuous light	The component is ready for operation. Cyclic DRIVE-CLiQ communication is taking place.	-
	Orange	Continuous light	DRIVE-CLiQ communication is being established.	-
	Red	Continuous light	This component has at least one fault. Note: The LED is activated regardless of whether the corresponding messages have been reconfigured.	Remove and acknowledge the fault.
	Green/red	Flashing light 0.5 Hz	Firmware is being downloaded.	-
		Flashing light 2 Hz	Firmware download has been completed. The system waits for POWER ON.	Carry out a POWER ON.
Green/orange or Red/orange	Flashing light	Component recognition via LED is activated ¹⁾ . Note: Both options depend on the LED status when component recognition is activated.	-	

¹⁾ See SINAMICS S120/S150 List Manual for the parameters to activate the recognition of components via LED

Cause and rectification of faults

The following documents contain information about the cause of faults and how they can be rectified:

SINAMICS S120 Commissioning Manual (IH1)

SINAMICS DCM List Manual

7.3.6 Dimension drawing

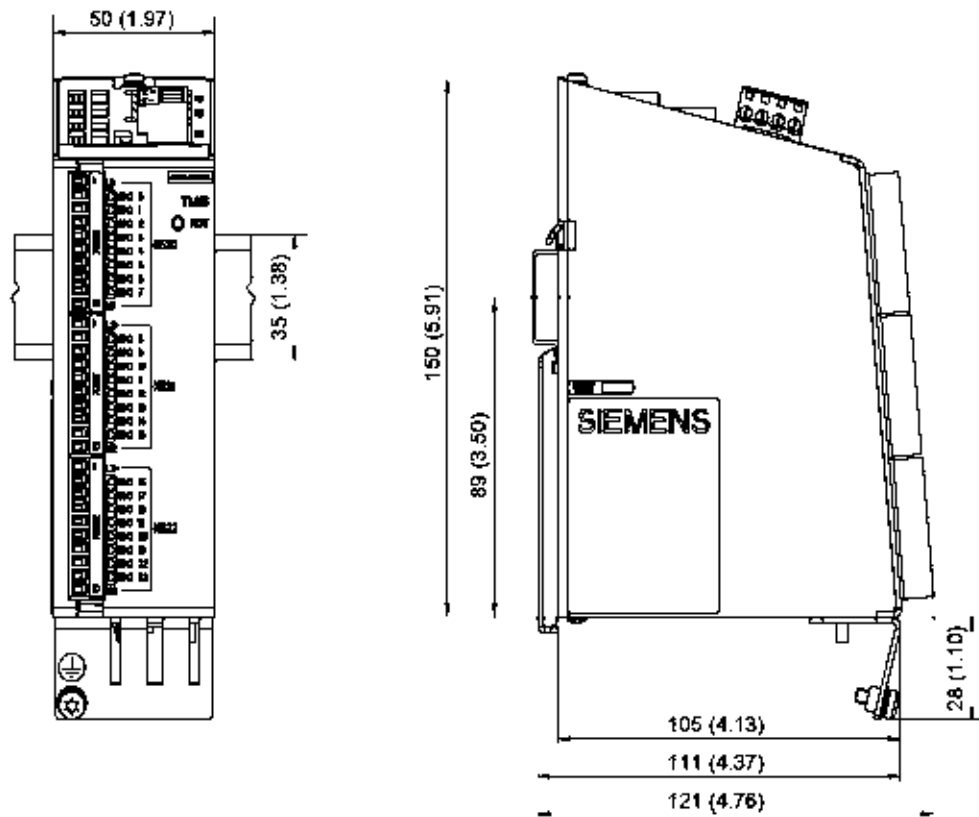


Figure 7-15 Dimension drawing of Terminal Module TM15, all data in mm and (inches)

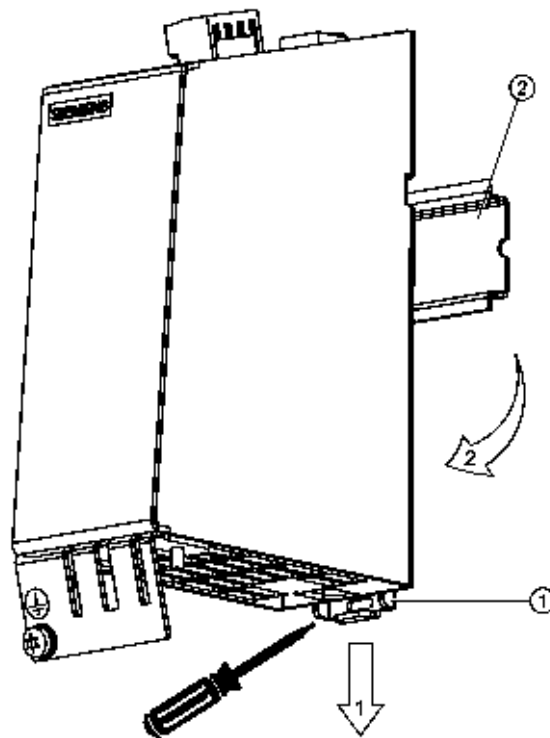
7.3.7 Installation

Installation

1. Tilt the component backwards slightly and snap it onto the mounting rail using the hook.
2. Push the component towards the mounting rail until you hear the mounting slide at the rear latch into position.
3. You can now move the component to the left or right along the mounting rail, until it reaches its final position.

Disassembly

1. The lug on the mounting slide must first be pushed down to release the interlock from the mounting rail.
2. The component can now be tilted towards the front and removed from the mounting rail.



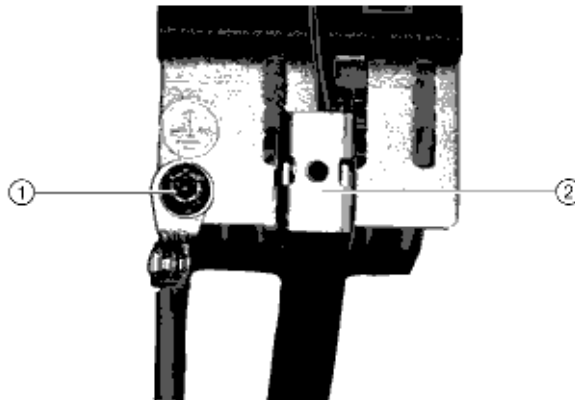
- ① Mounting slide
② Standard mounting rail

Figure 7-16 Removing from a mounting rail

7.3.8 Protective conductor connection and shield support

It is always advisable to shield the digital I/O wiring.

The following diagrams show typical Weidmüller shield connection terminals for the shield supports.



- ① Protective conductor connection M4 / 1.8 Nm
- ② Weidmüller
Type: KLBÜ CO 1
Order no. 1753311001

Figure 7-17 Shield supports and protective conductor connection

NOTICE

Damage or faulty operation due to incorrect shielding and impermissible cable lengths

If the correct shielding procedures and the permissible cable lengths are not observed, the machine can be damaged or may malfunction.

- Only use shielded cables.
- Do not exceed the cable lengths stated in the technical data.

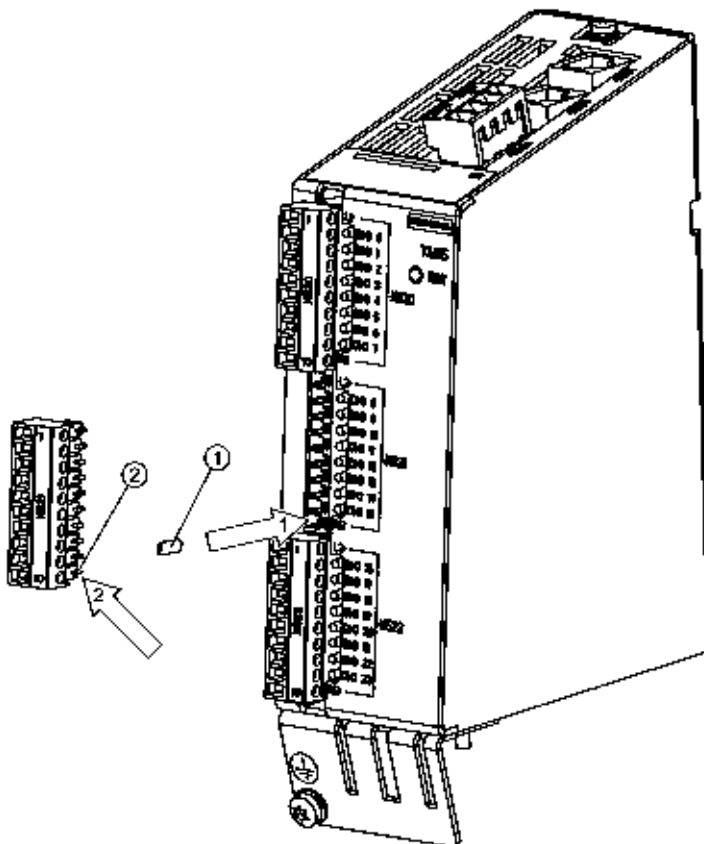
Note

Only use screws with a permissible mounting depth of 4 - 6 mm.

The TM15 enclosure is connected to the ground terminal of the module supply (terminal X524). If the ground terminal is actually grounded, then the enclosure is also grounded. An additional ground connection using the M4 screw is especially necessary if high equipotential bonding currents can flow (e.g. through the cable shield).

7.3.9 Connector coding

Siemens supplies a series of coding keys ("coding sliders") with each Terminal Module TM15. To encode a connector, you must insert at least one coding slider and cut off a coding lug on the connector:



- ① Insert a coding slider.
- ② Cut off the coding lug on the connector.

Figure 7-18 Procedure for encoding a connector

To prevent wiring errors, unique encoding schemes can be defined for the X520, X521, and X522 connectors. Examples of possible schemes:

- Three connectors on one component are encoded differently (e.g. X520, X521, and X522).
- Different component types are encoded differently.
- Identical components on the same machine are encoded differently (e.g. several TM15-type components).

7.3.10 Technical data

Table 7- 23 Technical data

6SL3055-0AA00-3FAx	Unit	Value
Electronic power supply		
Voltage	V _{DC}	24 (20.4 – 28.8)
Current (without DRIVE-CLiQ or digital outputs)	A _{DC}	0.15
Power loss	W	< 3
Ambient temperature up to an altitude of 2000 m	° C	0 - 60
Storage temperature	° C	-40 to +85
Relative humidity	5% to 95%, no condensation	
Peripherals		
Digital inputs/outputs	Can be parameterized as either DI or DO	
Number of digital inputs/outputs	24	
Electrical isolation	Yes, in groups of 8	
Max. cable length	m	30
Digital inputs		
Voltage	V _{DC}	-30 to +30
Low level (an open digital input is interpreted as "low")	V _{DC}	-30 to +5
High level	V _{DC}	15 to 30
Input impedance	kΩ	2.8
Power consumption (at 24 VDC)	mA	11
Max. voltage in OFF state	V _{DC}	5
Current in OFF state	mA	0.0 to 1.0 (per channel)
Typical input delay of the digital inputs	μs	"0" → "1": 50 "1" → "0": 100
Digital outputs (continuously short-circuit proof)		
Voltage	V _{DC}	24
Max. load current per digital output	A _{DC}	0.5
Output delay (resistive load)		
Typical	μs	"0" → "1": 50 "1" → "0": 150
Maximum	μs	"0" → "1": 100 "1" → "0": 225
Min. output pulse (100% amplitude, 0.5 A with resistive load)	μs	125 (typ.) 350 (max.)
Switching frequency		
For resistive load	Hz	max. 100
For inductive load	Hz	max. 0.5
For lamp load	Hz	max. 10
Max. lamp load	W	5
Max. switching frequency (100% amplitude, 50%/50% duty cycle; with 0.5 A and a resistive load)	kHz	1 (typ.)

6SL3055-0AA00-3FAx	Unit	Value
Voltage drop in ON state	V _{DC}	0.75 (max.) for maximum load in all circuits
Leakage current in OFF state	μA	Max. 10 per channel
Voltage drop, output (I/O power supply to the output)	V _{DC}	0.5
Max. total current of outputs (per group) up to 60° C up to 50° C up to 40° C	A _{DC} A _{DC} A _{DC}	2 3 4
Response time	<p>The response time for the digital inputs/outputs (TM15 DI/DO) consists of the following elements:</p> <ul style="list-style-type: none"> • Response time on the component itself (approx. 1/2 DRIVE-CLiQ clock cycle). • Transmission time via the DRIVE-CLiQ connection (approx. 1 DRIVE-CLiQ clock cycle). • Evaluation on the Control Unit (see function diagram) <p>For additional information: SINAMICS DCM List Manual, Chapter "Function block diagrams"</p>	
Weight	kg	0.86
Protective conductor connection	On enclosure with M4/1.8 Nm screw	
Degree of protection	IP20	
Approvals	UL and cULus, http://www.ul.com (www.ul.com) File: E164110, Vol. 2, Sec. 9	

Note

In order to guarantee the degree of protection, all of the connectors must be correctly screwed into place and appropriately locked.

7.4 Terminal Module TM31

7.4.1 Description

The Terminal Module TM31 is a terminal expansion that is snapped onto a EN 60715 standard mounting rail. Terminal Module TM31 can be used to increase the number of available digital inputs/digital outputs and also the number of analog inputs/analog outputs within a drive system.

The TM31 contains the following interfaces:

Table 7- 24 Interface overview of the TM31

Type	Quantity
DRIVE-CLiQ interfaces	2
Digital inputs	8
Bidirectional digital inputs/outputs	4
Analog inputs	2
Analog outputs	2
Relay outputs	2
Temperature sensor input	1


Supported types

The SINAMICS DC MASTER only supports one version of the Terminal Module TM31:

Table 7- 25 TM31 types

TM31 article number	Use with SINAMICS DC MASTER
6SL3055-0AA00-3AA0	Not possible
6SL3055-0AA00-3AA1	Possible

7.4.2 Safety instructions

 WARNING
<p>Danger to life through non-observance of the safety instructions</p> <p>If the safety instructions in Chapter 1 are not observed, accidents can occur involving severe injuries or death.</p> <ul style="list-style-type: none"> • Make sure that the safety instructions are observed.

 **WARNING**

Risk of fire through overheating if there are insufficient ventilation clearances

Inadequate ventilation clearances cause overheating with a risk for personnel due to smoke and fire. This can also result in more downtimes and reduced service lives of the Terminal Module.

- For this reason, it is imperative that you maintain the 50 mm clearances above and below the Terminal Module.

NOTICE

Device failure as a result of unshielded or incorrectly routed cables to temperature sensors

Unshielded or incorrectly routed cables to temperature sensors can result in interference being coupled into the signal processing electronics from the power side. This can result in significant disturbance of all signals (fault messages) up to failure of individual components (destruction of the devices).

- Only use shielded cables as temperature sensor cables.
- If temperature sensor cables are routed together with the motor cable, use separately shielded cables twisted in pairs.
- Connect the cable shield at both ends to ground potential over a large surface area.

NOTICE

Damage through the use of incorrect DRIVE-CLiQ cables

Damage or malfunctions can occur on the devices or system when incorrect or unreleased DRIVE-CLiQ cables are used.

- Only use suitable DRIVE-CLiQ cables that have been released by Siemens for the respective application.

Note

Malfunctions due to polluted DRIVE-CLiQ interfaces

Malfunctions can occur in the system through the use of polluted DRIVE-CLiQ interfaces.

- Cover unused DRIVE-CLiQ interfaces with the supplied blanking covers.

7.4.3 Interface description

7.4.3.1 Overview

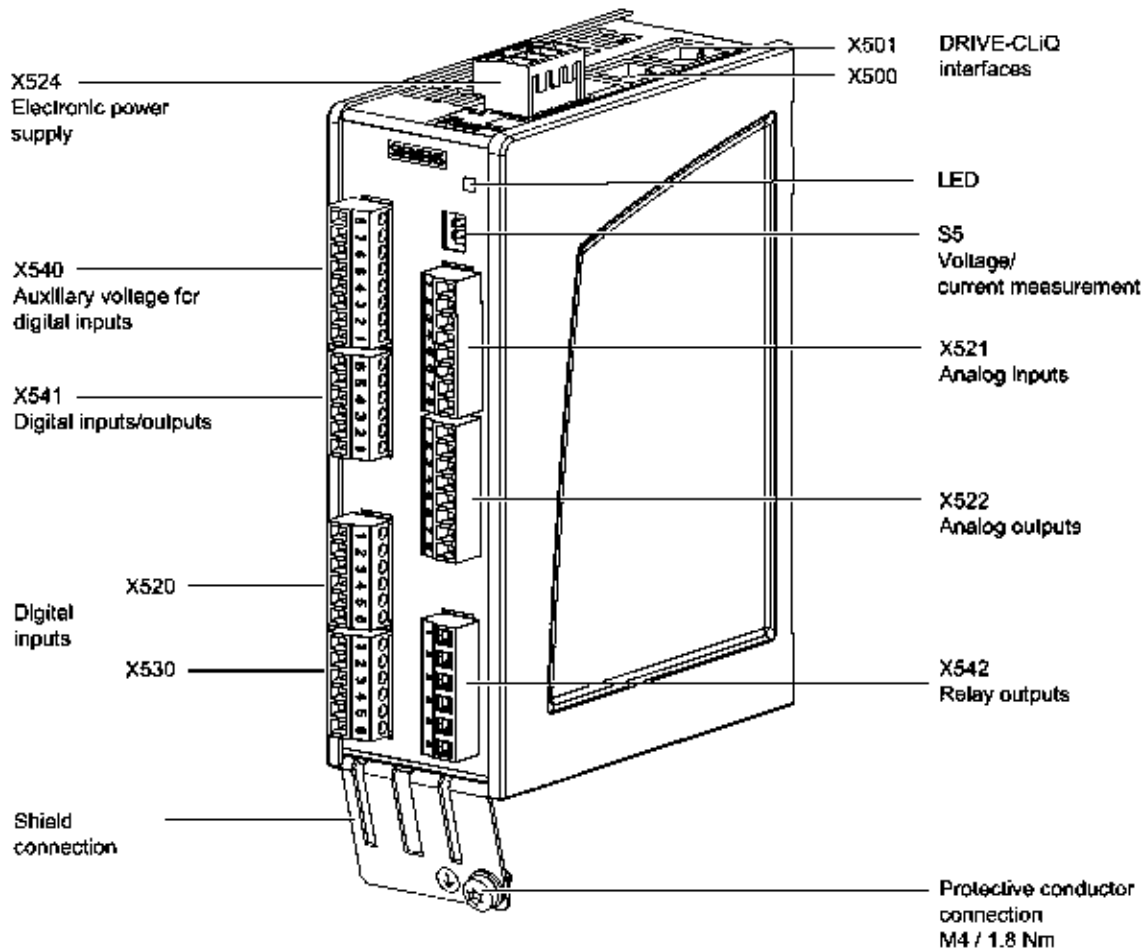


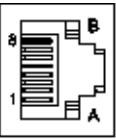
Figure 7-19 Interface description TM31

Terminal type

X520, X521, X522, X530, X540, X541		
Terminal type	Spring-loaded terminal	
Connectable conductor cross-section	Rigid/flexible	0.14 mm ² ... 0.5 mm ²
	Flexible, with end sleeve without plastic sleeve	0.25 mm ² ... 0.5 mm ²
	AWG / kcmil	26 ... 20
Stripped length	8 mm	
Tool	0.4 × 2.0 mm screwdriver	
X524		
Terminal type	Spring-loaded terminal	
Connectable conductor cross-section	Flexible	0.08 mm ² ... 2.5 mm ²
Stripped length	8 ... 9 mm	
Tool	0.4 × 2.0 mm screwdriver	
X542		
Terminal type	Spring-loaded terminal	
Connectable conductor cross-section	Rigid	0.2 mm ² ... 1 mm ²
	Flexible	0.2 mm ² ... 1.5 mm ²
	Flexible, with end sleeve without plastic sleeve	0.25 mm ² ... 1.5 mm ²
	Flexible, with end sleeve with plastic sleeve	0.25 mm ² ... 0.75 mm ²
	AWG / kcmil	24 ... 16
Stripped length	8 mm	
Tool	0.4 × 2.0 mm screwdriver	

7.4.3.2 X500/X501 DRIVE-CLiQ interfaces

Table 7- 26 X500/X501: DRIVE-CLiQ interfaces

	Pin	Signal name	Technical specifications
	1	TXP	Transmit data +
	2	TXN	Transmit data -
	3	RXP	Receive data +
	4	Reserved, do not use	
	5	Reserved, do not use	
	6	RXN	Receive data -
	7	Reserved, do not use	
	8	Reserved, do not use	
	A	+ (24 V)	Power supply
	B	M (0 V)	Electronics ground

The blanking covers for the DRIVE-CLiQ interfaces are included in the scope of delivery.

Blanking covers (50 x) Article number: 6SL3066-4CA00-0AA0

7.4.3.3 X520, X530 digital inputs

Table 7- 27 Screw terminal X520

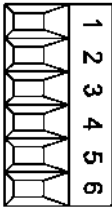
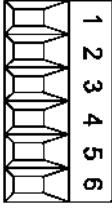
	Terminal	Designation ¹⁾	Technical specifications
	1	DI 0	Voltage: - 3 to +30 V Typical power consumption: 10 mA at 24 VDC Input delay: - For "0" to "1": typ. 50 µs max. 100 µs - For "1" to "0": typ. 130 µs max. 150 µs Electrical isolation: Reference potential is Terminal M1 Level (including ripple) High level: 15 to 30 V Low level: -3 to +5 V
	2	DI 1	
	3	DI 2	
	4	DI 3	
	5	M1	
	6	M	

Table 7- 28 Screw terminal X530

	Terminal	Designation ¹⁾	Technical specifications
	1	DI 4	Voltage: - 3 to +30 V Typical power consumption: 10 mA at 24 VDC Input delay: - For "0" to "1": typ. 50 µs max. 100 µs - For "1" to "0": typ. 130 µs max. 150 µs Electrical isolation: Reference potential is Terminal M2 Level (including ripple) High level: 15 to 30 V Low level: -3 to +5 V
	2	DI 5	
	3	DI 6	
	4	DI 7	
	5	M2	
	6	M	

¹⁾ DI: Digital input; M: Electronics ground; M1, M2: Ground reference

Note

An open input is interpreted as "low".

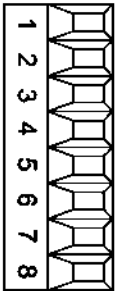
Terminal M1 or M2 must be connected in order that digital inputs (DI) can function.

This is carried out by:

- 1) Providing the ground reference of the digital inputs, or
- 2) A jumper to M (caution! This removes the electrical isolation for these digital inputs).

7.4.3.4 X521 analog inputs

Table 7- 29 X521 terminal strip

	Terminal	Designation ¹⁾	Technical specifications
	1	AI 0+	The analog inputs can be toggled between current and voltage input using switches S5.0 and S5.1. Voltage: -10 to 10 V; R _i = 100 kΩ Resolution: 11 bits + sign Current: R _i = 250 Ω Resolution: 10 bits + sign
	2	AI 0-	
	3	AI 1+	
	4	AI 1-	
	5	P10	Auxiliary voltage: P10 = 10 V N10 = -10 V Continuous short-circuit proof
	6	M	
	7	N10	
	8	M	

¹⁾ AI: Analog inputs; P10/N10: Auxiliary voltage; M: Ground reference


<p>NOTICE</p> <p>If more than ±35 mA flows through the analog current input, then the component could be destroyed. Permissible input voltage ±30 V (destruction limit). Permissible common-mode voltage ±10 V, increased faults if exceeded. Permissible back-EMF at the auxiliary voltage outputs ±15 V.</p>
--

Note

The power supply for the analog inputs can be taken internally or from an external power supply unit

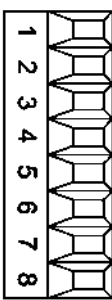
7.4.3.5 Analog inputs current/voltage switch

Table 7- 30 Current/voltage selector switch S5

	Switch	Function
 V S5.0 V S5.1	S5.0	Switchover of voltage (V)/current (I) AI0
	S5.1	Switchover of voltage (V)/current (I) AI1

7.4.3.6 X522 analog outputs/temperature sensor

Table 7- 31 X522 terminal strip

	Terminal	Designation ¹⁾	Technical specifications
	1	AO 0V+	You can set the following output signals using parameters: Voltage: -10 to 10 V (max. 3 mA)
	2	AO 0-	
	3	AO 0C+	Current 1: 4 to 20 mA (max. load resistance ≤ 500 Ω)
	4	AO 1V+	Current 2: -20 to 20 mA (max. load resistance ≤ 500 Ω)
	5	AO 1-	Current 3: 0 to 20 mA (max. load resistance ≤ 500 Ω)
	6	AO 1C+	Resolution: 11 bits + sign Continuous short-circuit proof
	7	+ Temp	Temperature sensor KTY84-1C130/PTC
	8	- Temp	

¹⁾ AO xV: Analog output voltage; AO xC: Analog output current

NOTICE

Permissible back-EMF at the outputs: ±15 V

Note

The KTY temperature sensor must be connected with the correct polarity.

DANGER

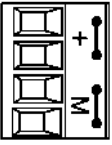
Hazard due to electric shock

Only temperature sensors that meet the protective separation specifications in EN 61800-5-1 may be connected to terminals "+Temp" and "-Temp".

There is a risk of electric shock if this is not carefully observed.

7.4.3.7 X524 electronic power supply

Table 7- 32 Terminals for the electronic power supply

	Terminal	Designation	Technical specifications
	+	Electronic power supply	Voltage: 24 VDC (20.4 – 28.8 V) Power consumption: Max. 0.5 A Max. current via jumper in connector: 20 A at 55° C
	+	Electronic power supply	
	M	Electronics ground	
	M	Electronics ground	

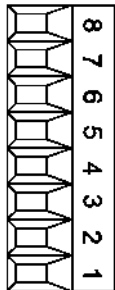
Note

The two "+" or "M" terminals are jumpered in the connector. This ensures that the supply voltage is looped through.

The current consumption increases by the value for the DRIVE-CLiQ node and digital outputs.

7.4.3.8 X540 auxiliary voltage for the digital inputs

Table 7- 33 Screw terminal X540

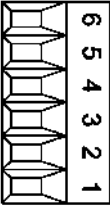
	Terminal	Designation	Technical specifications
	8	+24 V	Voltage: +24 VDC Max. total load current of +24 V auxiliary voltage for terminals X540 and X541 combined: 150 mA
	7	+24 V	
	6	+24 V	
	5	+24 V	
	4	+24 V	
	3	+24 V	
	2	+24 V	
	1	+24 V	

Note

This power supply is only used for powering the digital inputs.

7.4.3.9 X541 bidirectional digital inputs/outputs

Table 7- 34 Terminals for bidirectional digital inputs/outputs

	Terminal	Designation ¹⁾	Technical specifications
	6	M	Auxiliary voltage:
	5	DI/DO 11	Voltage: +24 VDC
	4	DI/DO 10	Max. total load current of +24 V auxiliary voltage of terminals X540 and X541 combined: 150 mA
	3	DI/DO 9	As input:
	2	DI/DO 8	Voltage: -3 to 30 V
	1	+24 V	Typical current consumption: 10 mA at 24 VDC Input delay: - For "0" to "1": Typ. 50 µs - For "1" to "0": Typ. 100 µs As output: Voltage: 24 VDC Max. load current per output: 500 mA Max. total current of outputs (including currents in the inputs): 100 mA / 1 A (assignable) Sustained short-circuit Output delay: - For "0" to "1": Typ. 150 µs at 0.5 A resistive load (500 µs maximum) - For "1" to "0": Typ. 50 µs for 0.5 A resistive load Switching frequency: For resistive load: Max. 100 Hz For inductive load: Max. 0.5 Hz For lamp load: Max. 10 Hz Maximum lamp load: 5 W

¹⁾ DI/DO: Bidirectional digital input/output; M: Electronics ground

Note

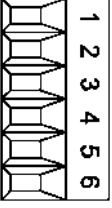
An open input is interpreted as "low".

Note

If a the 24 V supply is briefly interrupted, the digital outputs are deactivated during this time.

7.4.3.10 X542 relay outputs

Table 7- 35 X542 terminal strip

	Terminal	Designation ¹⁾	Technical specifications
	1	DO 0.NC	Contact type: Two-way contact max. load current: 8 A Max. switching voltage: 250 V _{AC} , 30 V _{DC} Max. switching power at 250 V _{AC} : 2000 VA (cosφ = 1) Max. switching power at 250 V _{AC} : 750 VA (cosφ = 0.4) Max. switching power at 30 V _{DC} : 240 W (resistive load) Required minimum current: 100 mA Output delay: ≤ 20 ms ²⁾ Overvoltage category: Class III to EN 60 664-1
	2	DO 0.COM	
	3	DO 0.NO	
	4	DO 1.NC	
	5	DO 1.COM	
	6	DO 1.NO	

¹⁾ DO: Digital output; NO: Normally open contact; NC: Normally closed contact; COM: Mid-position contact

²⁾ depending on the parameters assigned and the supply voltage (P24) of the TM31

7.4.4 Connection example

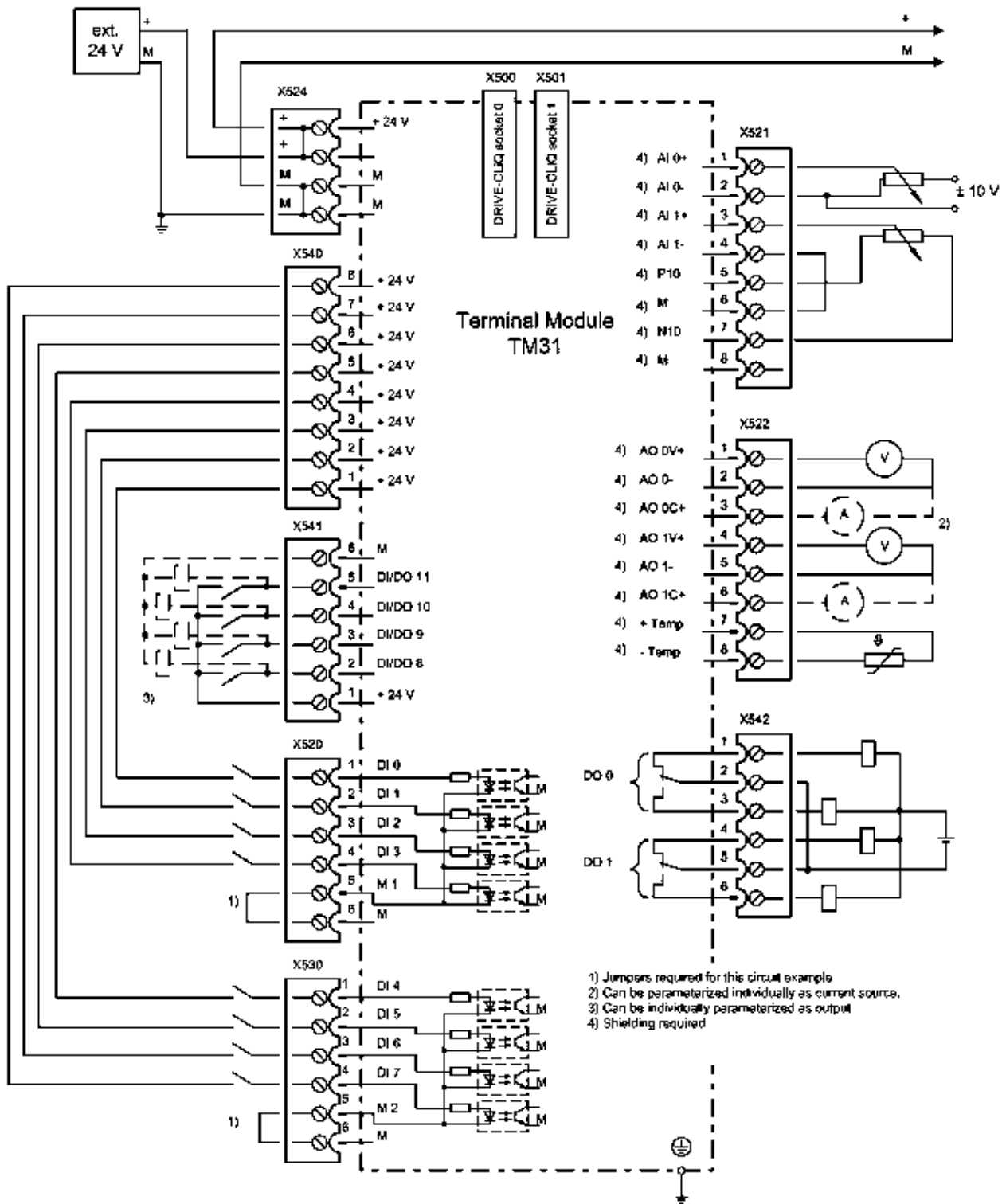


Figure 7-20 TM31 connection example

7.4.5 Meanings of the LEDs on the Terminal Module TM31

Table 7- 36 Meanings of the LEDs on the Terminal Module TM31

LED	Color	Status	Description, cause	Remedy
READY	-	Off	The electronic power supply is missing or outside the permissible tolerance range.	-
	Green	Continuous light	The component is ready for operation. Cyclic DRIVE-CLiQ communication is taking place.	-
	Orange	Continuous light	DRIVE-CLiQ communication is being established.	-
	Red	Continuous light	This component has at least one fault. Note: The LED is activated regardless of whether the corresponding messages have been reconfigured.	Remove and acknowledge the fault.
	Green/red	Flashing light 0.5 Hz	Firmware is being downloaded.	-
		Flashing light 2 Hz	Firmware download has been completed. The system waits for POWER ON.	Carry out a POWER ON.
	Green/orange or Red/orange	Flashing light	Component recognition via LED is activated ¹⁾ . Note: Both options depend on the LED status when component recognition is activated.	-

¹⁾ See SINAMICS S120/S150 List Manual for the parameters to activate the recognition of components via LED

Cause and rectification of faults

The following documents contain information about the cause of faults and how they can be rectified:

SINAMICS S120 Commissioning Manual (IH1)
SINAMICS DCM, List Manual

7.4.6 Dimension drawing

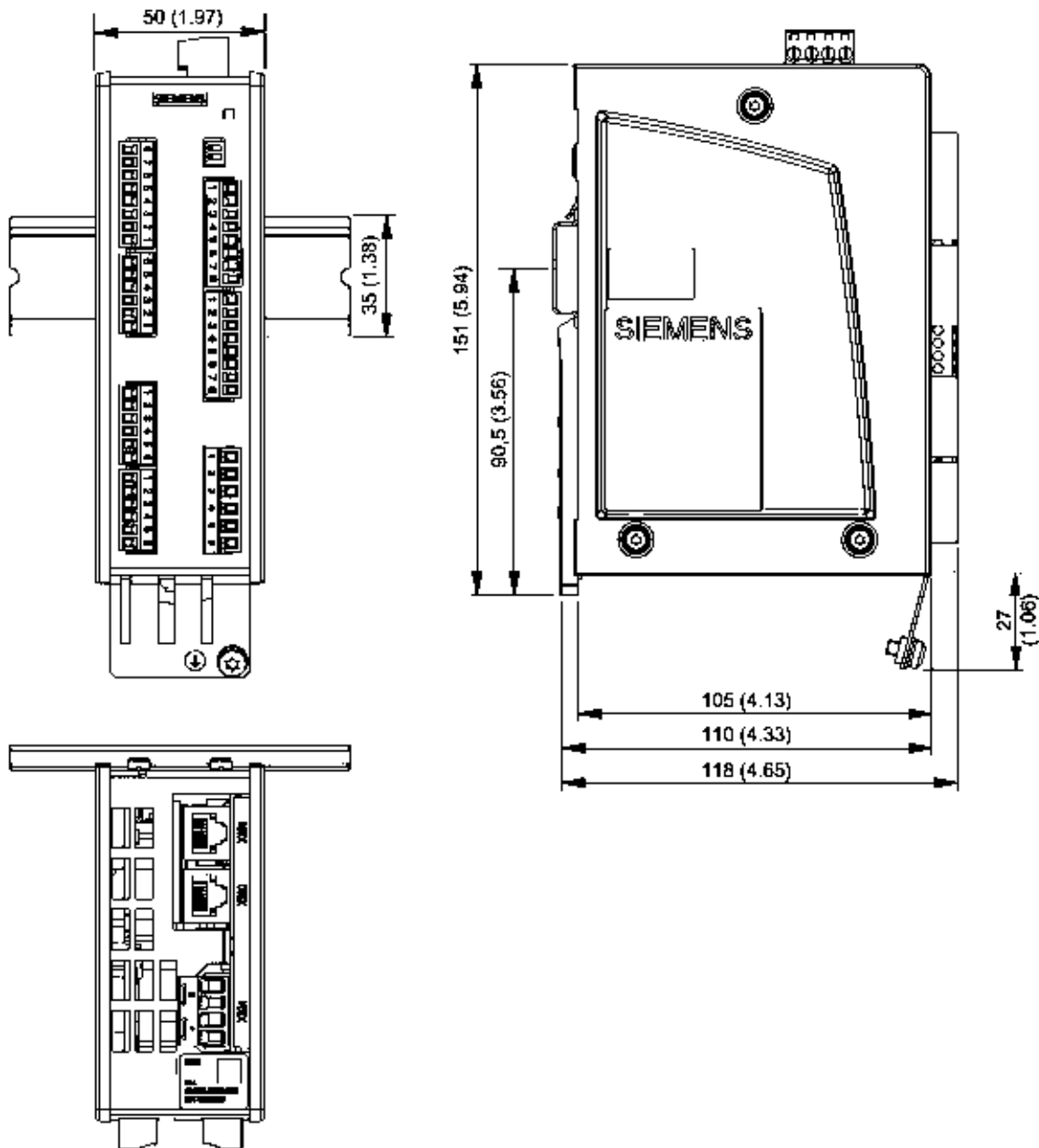


Figure 7-21 Dimension drawing of Terminal Module TM31, all data in mm and inches

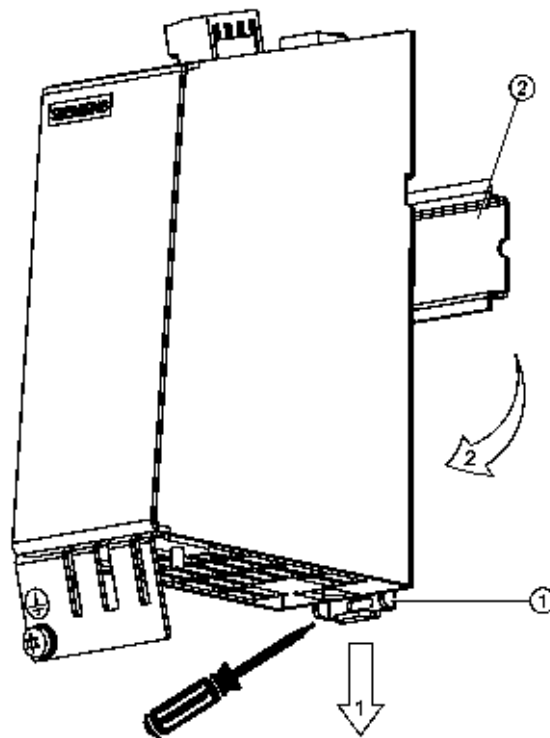
7.4.7 Installation

Installation

1. Tilt the component backwards slightly and snap it onto the mounting rail using the hook.
2. Push the component towards the mounting rail until you hear the mounting slide at the rear latch into position.
3. You can now move the component to the left or right along the mounting rail, until it reaches its final position.

Disassembly

1. The lug on the mounting slide must first be pushed down to release the interlock from the mounting rail.
2. The component can now be tilted towards the front and removed from the mounting rail.



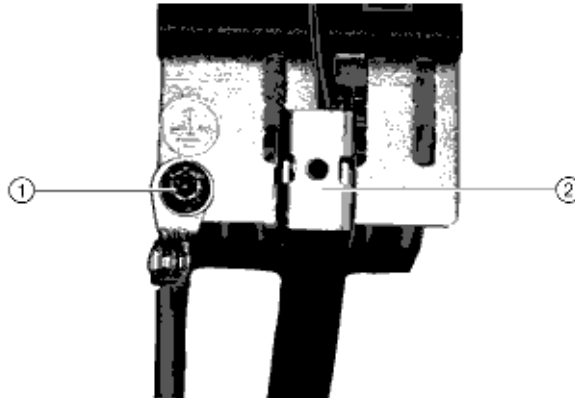
- ① Mounting slide
- ② Standard mounting rail

Figure 7-22 Removing from a mounting rail

7.4.8 Protective conductor connection and shield support

It is always advisable to shield the digital input/output wiring.

The following diagrams show typical Weidmüller shield connection terminals for the shield supports.



- ① Protective conductor connection M4 / 1.8 Nm
- ② Shield connection terminal, Weidmüller company, type: KLBÜ CO1, order number: 1753311001

Figure 7-23 Shield supports

NOTICE

Damage or faulty operation due to incorrect shielding and impermissible cable lengths

If the correct shielding procedures and the permissible cable lengths are not observed, the machine can be damaged or may malfunction.

- Only use shielded cables.
- Do not exceed the cable lengths stated in the technical data.

Note

Only use screws with a permissible mounting depth of 4 - 6 mm.

7.4.10 Technical data

Table 7- 37 Technical data

	Unit	Value
Electronic power supply		
Voltage	V _{DC}	24 DC (20.4 – 28.8)
Current (without DRIVE-CLiQ or digital outputs)	A _{DC}	0.5
Power loss	W	<10
PE/ground connection	On enclosure with M4/1.8 Nm screw	
Response time	<p>The response time for the digital inputs/outputs and the analog inputs/outputs consists of the following elements:</p> <ul style="list-style-type: none"> • Response time on the component itself (approx. 1/2 DRIVE-CLiQ clock cycle). • Transmission time via the DRIVE-CLiQ connection (approx. 1 DRIVE-CLiQ clock cycle) • Evaluation on the Control Unit (see function diagram) <p>Further information: SINAMICS DCM List Manual, Chapter "Function diagrams"</p>	
Weight	kg	1
Degree of protection	IP20	

Note

In order to guarantee the degree of protection, all of the connectors must be correctly screwed into place and appropriately locked.

7.5 Terminal Module TM150

7.5.1 Description

The terminal module TM150 is a DRIVE-CLiQ component for temperature evaluation. The temperature is measured in a temperature range from -99 °C to +250 °C for the following temperature sensors:

- PT100 (with monitoring for wire breakage and short-circuit)
- PT1000 (with monitoring for wire breakage and short-circuit)
- KTY84 (with monitoring for wire breakage and short-circuit)
- PTC (with short-circuit monitoring)
- Bimetallic NC contact (without monitoring)

For the temperature sensor inputs, for each terminal block the evaluation can be parameterized for 1x2-wire, 2x2-wire, 3-wire or 4-wire. There is no galvanic isolation in the TM150.


The TM150 is mounted in the control cabinet and can be snapped on to a standard mounting rail (EN 60715).

The TM150 contains the following interfaces:

Table 7- 38 Overview of the TM150 interfaces

Type	Quantity
DRIVE-CLiQ interfaces	2
Temperature sensor inputs	6/12
Electronics power supply	1

7.5.2 Safety instructions

 WARNING
Danger to life through non-observance of the safety instructions If the safety instructions in Chapter 1 are not observed, accidents can occur involving severe injuries or death. <ul style="list-style-type: none">• Make sure that the safety instructions are observed.

⚠ WARNING

Risk of fire through overheating if there are insufficient ventilation clearances

Inadequate ventilation clearances cause overheating with a risk for personnel due to smoke and fire. This can also result in more downtimes and reduced service lives of the Terminal Module.

- For this reason, it is imperative that you maintain the 50 mm clearances above and below the Terminal Module.

NOTICE

Device failure as a result of unshielded or incorrectly routed cables to temperature sensors

Unshielded or incorrectly routed cables to temperature sensors can result in interference being coupled into the signal processing electronics from the power side. This can result in significant disturbance of all signals (fault messages) up to failure of individual components (destruction of the devices).

- Only use shielded cables as temperature sensor cables.
- If temperature sensor cables are routed together with the motor cable, use separately shielded cables twisted in pairs.
- Connect the cable shield at both ends to ground potential over a large surface area.

NOTICE

Damage through the use of incorrect DRIVE-CLiQ cables

Damage or malfunctions can occur on the devices or system when incorrect or unreleased DRIVE-CLiQ cables are used.

- Only use suitable DRIVE-CLiQ cables that have been released by Siemens for the respective application.

Note

Malfunctions due to polluted DRIVE-CLiQ interfaces

Malfunctions can occur in the system through the use of polluted DRIVE-CLiQ interfaces.

- Cover unused DRIVE-CLiQ interfaces with the supplied blanking covers.

7.5.3 Interface description

7.5.3.1 Overview

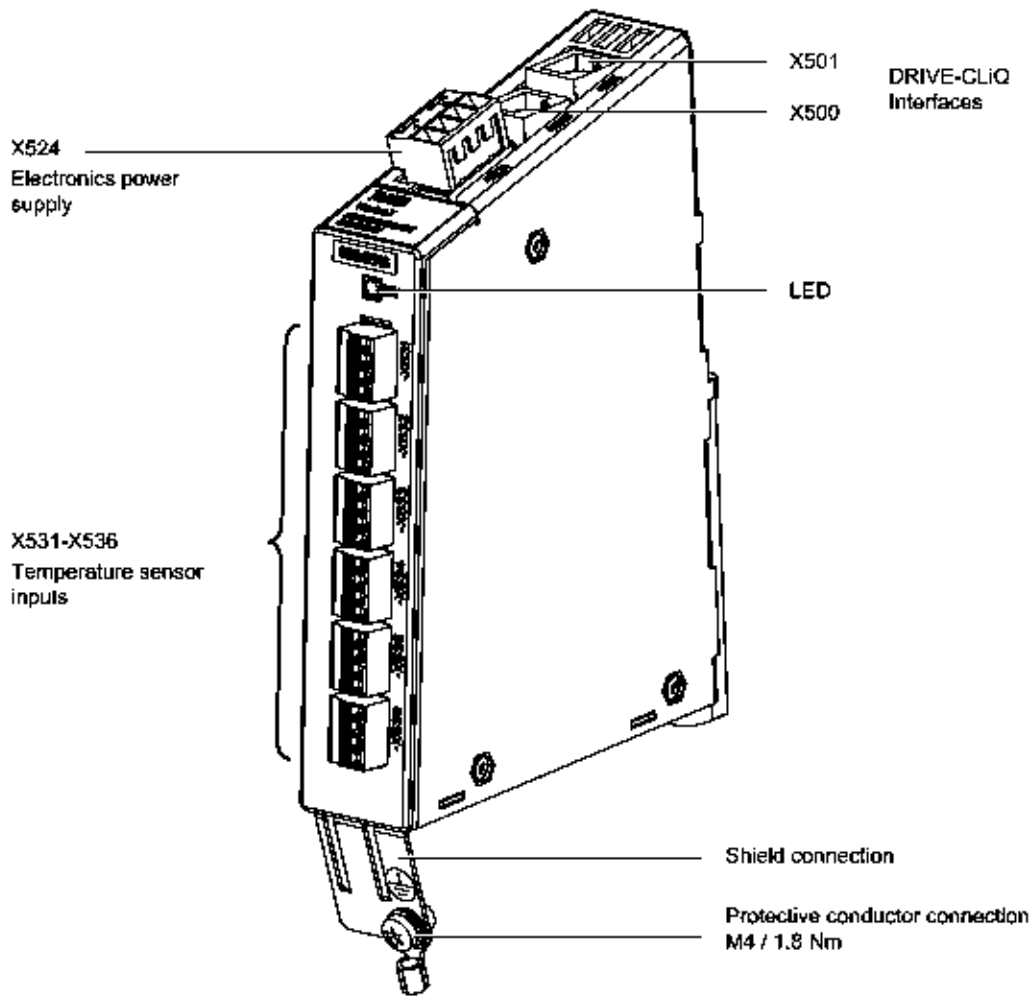


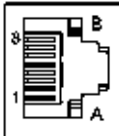
Figure 7-25 Interface overview of Terminal Module TM150

Terminal type

X524		
Terminal type	Screw terminal	
Connectable conductor cross-section	Rigid, flexible	0.08 mm ² to 2.5 mm ²
	With wire-end ferrule without plastic sleeve	0.5 mm ² to 2.5 mm ²
	With wire-end ferrule with plastic sleeve	0.5 mm ² to 1.5 mm ²
Stripped length	7 mm	
Tool	0.6 × 3.5 mm screwdriver	
Tightening torque	0.5 to 0.6 Nm	
X531 - X536		
Terminal type	Spring-loaded terminal	
Connectable conductor cross-section	Rigid	0.2 mm ² to 1.5 mm ²
	Flexible	0.2 mm ² to 1.5 mm ²
	Flexible, with end sleeve without plastic sleeve	0.25 mm ² to 1.5 mm ²
	Flexible, with end sleeve with plastic sleeve	0.25 mm ² to 0.75 mm ²
	AWG / kcmil	24 to 16
Stripped length	10 mm	

7.5.3.2 X500 and X501 DRIVE-CLiQ interfaces

Table 7- 39 X500/X501: DRIVE-CLiQ interfaces

	Pin	Signal name	Technical specifications
	1	TXP	Transmit data +
	2	TXN	Transmit data -
	3	RXP	Receive data +
	4	Reserved, do not use	
	5	Reserved, do not use	
	6	RXN	Receive data -
	7	Reserved, do not use	
	8	Reserved, do not use	
	A	+ (24 V)	Power supply, max. 450 mA
	B	M (0 V)	Electronics ground
Connector type	RJ45 socket		

The blanking covers for the DRIVE-CLiQ interfaces are included in the scope of delivery.

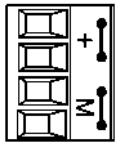
Blanking covers (50 pcs) article number: 6SL3066-4CA00-0AA0

Note

The maximum DRIVE-CLiQ cable length is 100 m.

7.5.3.3 X524 Electronics power supply

Table 7- 40 X524: Electronic power supply

	Terminal	Designation	Technical specifications
	+	Electronic power supply	Voltage: 24 VDC (20.4 V – 28.8 V) Current consumption (max./typ.): 0.5 A / 0.1 A Max. current via jumper in connector: 20 A
	+	Electronic power supply	
	M	Electronics ground	
	M	Electronics ground	

The maximum cable length that can be connected is 10 m.

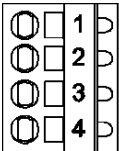
Note

The two "+" or "M" terminals are jumpered in the connector. This ensures that the supply voltage is looped through.

The current consumption increases by the value for the DRIVE-CLiQ node.

7.5.3.4 X531-X536 temperature sensor inputs

Table 7- 41 X531-X536: Temperature sensor inputs

	Terminal	Function 1x2- / 2x2-wire	Function 3 and 4-wire	Technical specifications
	1	+ Temp (channel x)	+ (channel x)	Temperature sensor connection for sensors with 1x2 wires Connection of the 2nd measurement cable for sensors with 4-wires
	2	- Temp (channel x)	- (channel x)	
	3	+ Temp (channel y)	+ I _c (constant current, positive channel x)	
	4	- Temp (channel y)	- I _c (constant current, negative channel x)	
Measuring current via temperature sensor connection: Approx. 0.83 mA				

When connecting temperature sensors with three wires, a jumper must be inserted between X53x.2 and X53x.4.

Table 7- 42 Channel assignment

Terminal	Channel number [x] for 1x2, 3 and 4-wires	Channel number [y] for 2x2 wires
X531	0	6
X532	1	7
X533	2	8
X534	3	9
X535	4	10
X536	5	11

NOTICE

Motor damage due to incorrectly connected KTY temperature sensor

A KTY temperature sensor connected with incorrect polarity cannot detect if the motor overheats. Overheating may result in damage to the motor.

- Connect a KTY temperature sensor with the correct polarity.

NOTICE

Overheating of the motor through jumpering the temperature sensor connections

Jumpering of the temperature sensor connections "+ Temp" and "- Temp" results in incorrect measurement results. Damage to the motor can result if the overheating is not detected.

- When using several temperature sensors, separately connect the individual sensors to "+ Temp" and "- Temp".

NOTICE

Overheating of the motor through cables with too high a resistance

Cable length and cable cross-section can falsify the temperature measurement (10 Ω cable resistance for a PT100 can falsify the measurement result by 10%). Damage to the motor can result if the overheating is not detected.

- Use only cable lengths ≤ 300 m.
- For cable lengths >100 m, use cables with a cross-section of ≥ 1 mm².

NOTICE

Device failure as a result of unshielded or incorrectly routed cables to temperature sensors

Unshielded or incorrectly routed cables to temperature sensors can result in interference being coupled into the signal processing electronics from the power side. This can result in significant disturbance of all signals (fault messages) up to failure of individual components (destruction of the devices).

- Only use shielded cables as temperature sensor cables.
- If temperature sensor cables are routed together with the motor cable, use separately shielded cables twisted in pairs.
- Connect the cable shield at both ends to ground potential over a large surface area.
- Recommendation: Use suitable Motion Connect cables.

7.5.4 Connection examples

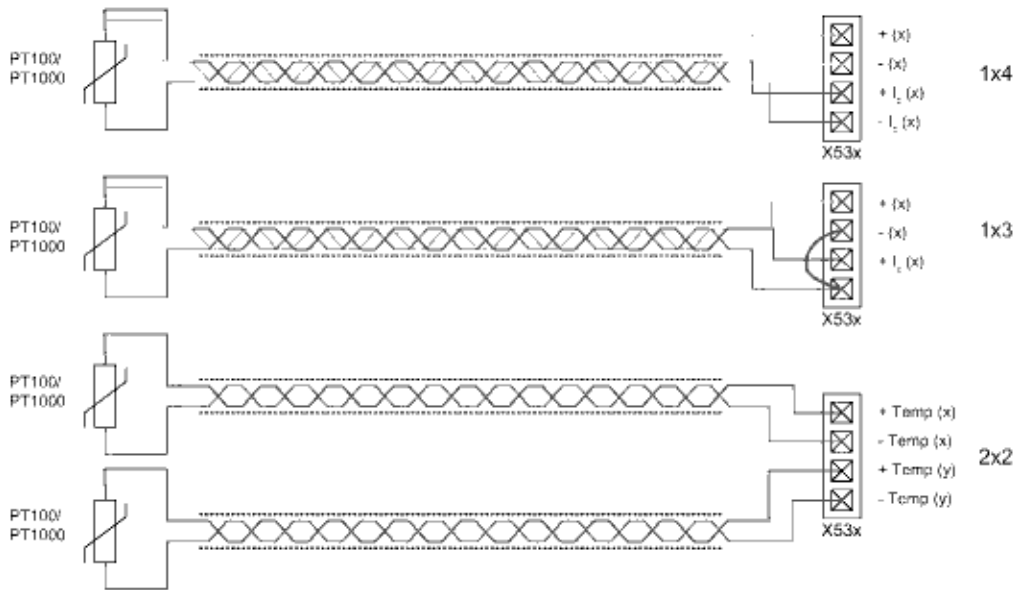


Figure 7-26 Connecting a PT100/PT1000 with 2x2, 3 and 4-wires to the temperature sensor inputs X53x of Terminal Module TM150

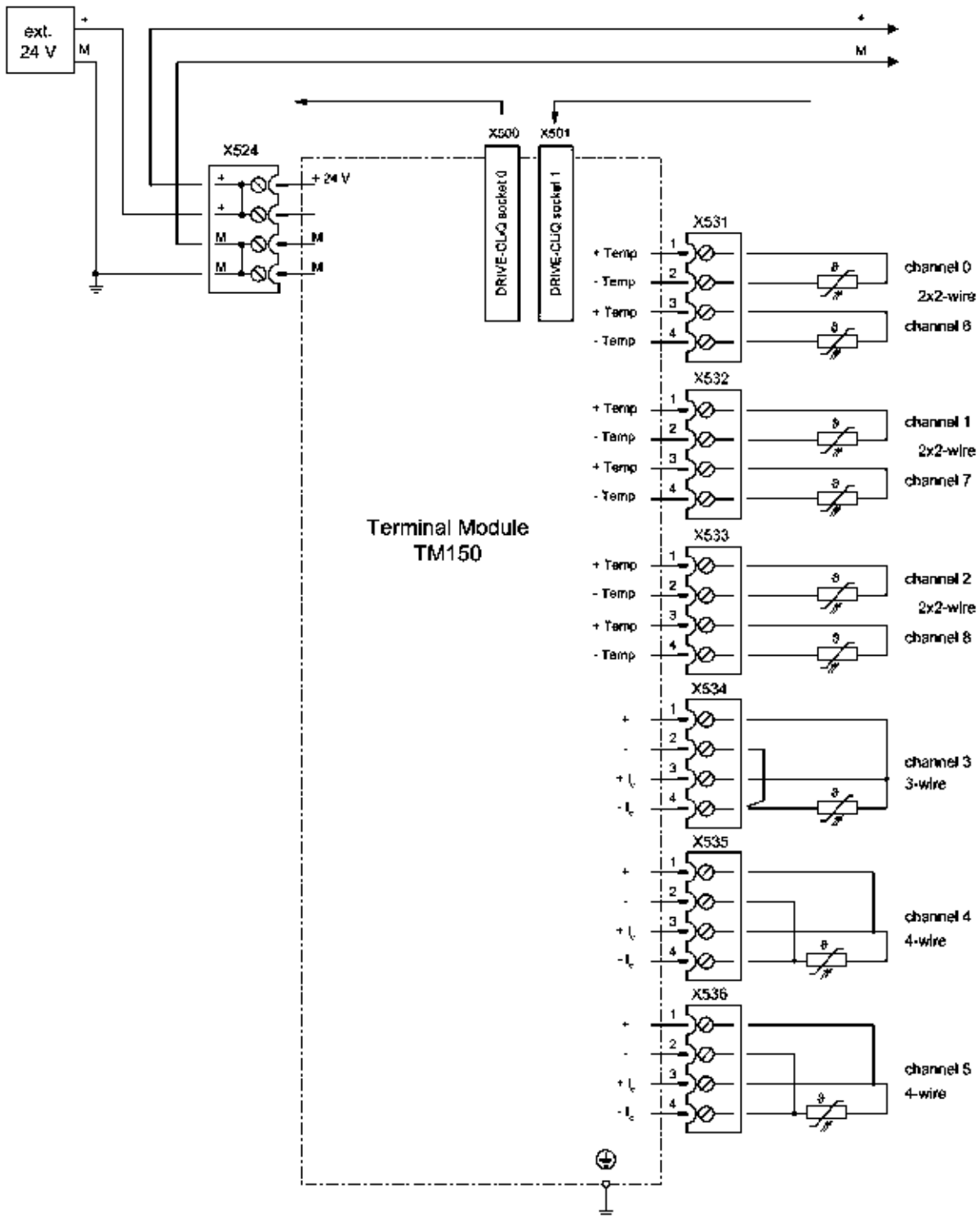


Figure 7-27 Connection example for a Terminal Module TM150

7.5.5 Meaning of the LEDs on the Terminal Module TM150

Table 7- 43 Meaning of the LEDs at the Terminal Module TM150

LED	Color	State	Description, cause	Remedy
READY	–	Off	Electronic power supply is missing or outside permissible tolerance range.	Check power supply
	Green	Continuous light	The component is ready for operation and cyclic DRIVE-CLiQ communication is taking place.	–
	Orange	Continuous light	DRIVE-CLiQ communication is being established.	–
	Red	Continuous light	At least one fault is present in this component. Note: LED is controlled irrespective of the corresponding messages being reconfigured.	Remedy and acknowledge fault
	Green/ Red	Flashing light 0.5 Hz	Firmware is being downloaded.	–
		Flashing light 2 Hz	Firmware has been downloaded. Wait for POWER ON.	Carry out a POWER ON
Green/ orange or red/ orange	Flashing light 2 Hz	Component recognition via LED is activated (p0154). Note: Both options depend on the LED status when module recognition is activated via p0154 = 1.	–	

Cause and rectification of faults

The following documents contain information about the cause of faults and how they can be rectified:

SINAMICS S120 Commissioning Manual (IH1)

SINAMICS DCM List Manual

7.5.6 Dimension drawing

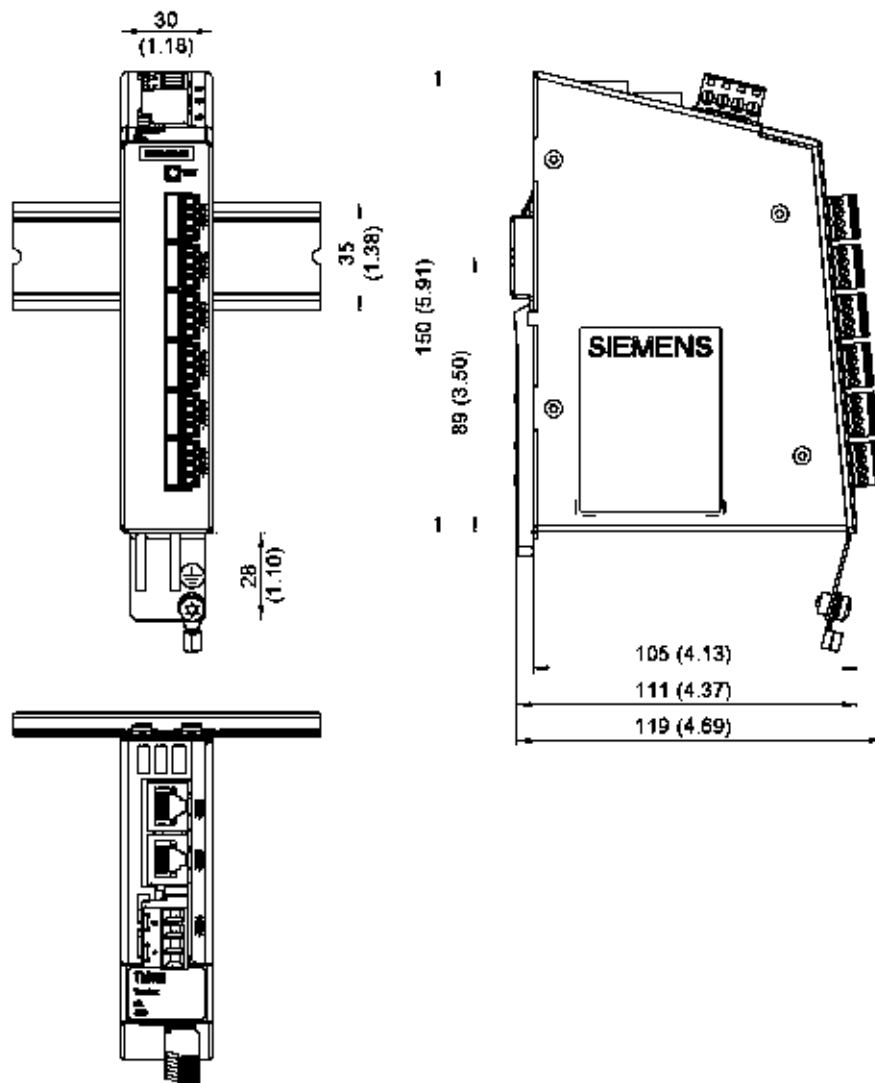


Figure 7-28 Dimension drawing of Terminal Module TM150, all data in mm and (inches)

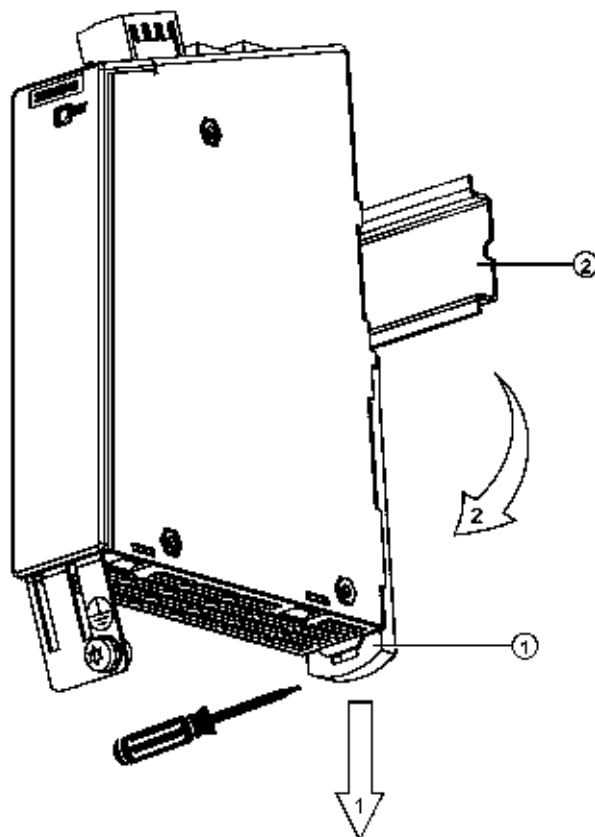
7.5.7 Installation

Installation

1. Tilt the component backwards slightly and attach it to the DIN rail using the hooks.
2. Swivel the component onto the DIN rail until you hear the mounting slide at the rear latch into position.
3. Slide the components along the mounting rail to either the left or right up to their final position.

Disassembly

1. First shift the mounting slide downwards at the lug to release the interlocking with the mounting rail.
2. Swivel the component to the front and withdraw it upwards from the DIN rail.

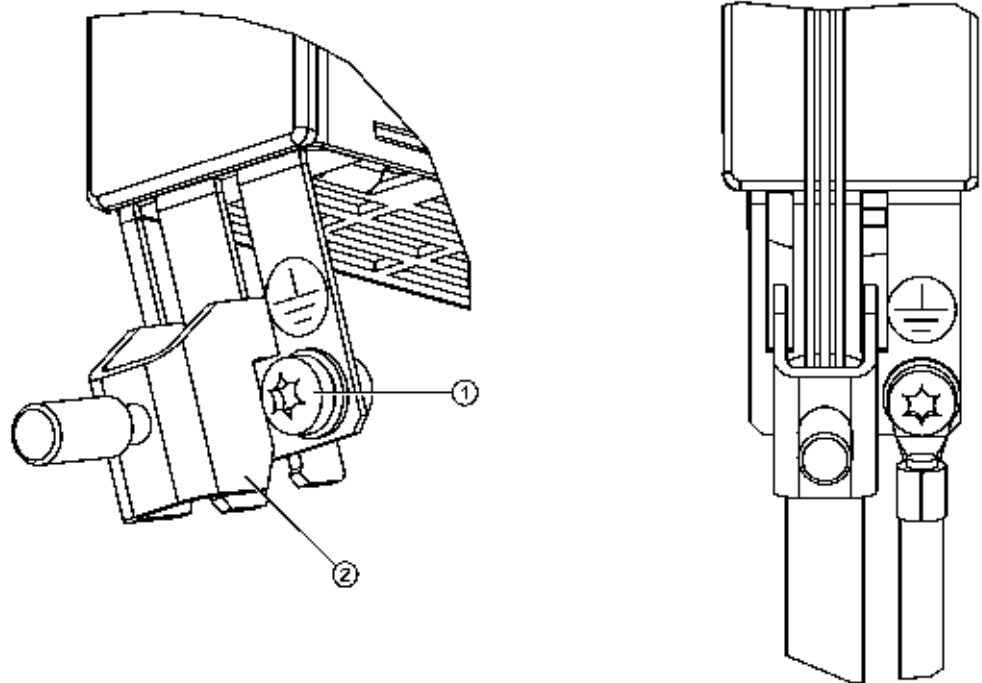


- ① Mounting slide
- ② Standard mounting rail

Figure 7-29 Removing a TM150 from a mounting rail

7.5.8 Protective conductor connection and shield support

The following diagram shows a typical Weidmüller shield connection clamp for the shield supports.



- ① Protective conductor connection M4 / 1.8 Nm
- ② Shield connection terminal, Weidmüller company, type: KLBÜ CO1, order number: 1753311001

Figure 7-30 Shield support and protective conductor connection of the TM150

NOTICE

Damage or faulty operation due to incorrect shielding and impermissible cable lengths

If the correct shielding procedures and the permissible cable lengths are not observed, the machine can be damaged or may malfunction.

- Only use shielded cables.
- Do not exceed the cable lengths stated in the technical data.

7.5.9 Technical data

Table 7- 44 Technical data

6SL3055-0AA00-3LA0	Unit	Value
Voltage	V _{DC}	24 VDC (20.4 – 28.8)
Current (without DRIVE-CLiQ)	A _{DC}	0.07
Power loss	W	1.6
PE/ground connection	On enclosure with M4/1.8 Nm screw	
Weight	kg	0.4
Degree of protection	IP20	

Note

In order to guarantee the degree of protection, all of the connectors must be correctly screwed into place and appropriately locked.

WARNING

This unit is subject to hazardous voltage levels and contains dangerous rotating machine parts (fans). Failure to comply with these Operating Instructions can lead to death, serious physical injury, and material damage.

Dangerous voltage levels may be present at the signaling relays at the customer's site.

The units may be connected to a line supply with residual current operated circuit breaker if a universal current sensitive device is being used, which in the case of a ground fault, can also detect a DC component in the fault current. We recommend a residual current operated circuit breaker with an operating current ≥ 300 mA, which means that it is not suitable to protect personnel. If you have additional questions, please contact Technical Support.

Only qualified personnel who are familiar with all the safety instructions in this description, as well as the installation, operating, and maintenance instructions, should carry out work on this unit.

Perfect, safe, and reliable operation of this unit is conditional upon it having been transported, stored, mounted, and installed correctly, as well as carefully operated and serviced.

The unit is subject to dangerous voltage levels even when the converter unit's line contactor is open. The control module (Power Interface) contains several circuits that are subject to dangerous voltage levels. Before commencing maintenance or servicing work, disconnect all current sources of the converter infeed and disable them.

To operate the SINAMICS DC MASTER, both front cover fixing screws must be tight.

These instructions are not exhaustive and as such cannot outline all the measures required in order to operate the unit safely. Where necessary, additional information or instructions may be required for special applications. If you encounter specific problems which have not been handled in enough detail for the purposes of the buyer, please contact your local Siemens office.

The use of non-approved parts for carrying out repair work on the unit or handling of the unit by inadequately qualified personnel will result in dangerous conditions with the risk of death, serious physical injury, or extensive damage to equipment. All safety measures listed in these Operating Instructions, as well as all warning signs attached to the unit, must be followed.

Observe all the warning information outlined in Chapter 1 of these Operating Instructions.

NOTICE

Before coming into contact with modules (and in particular the CUDs), the operator must be electrostatically discharged in order to protect electronic components against high voltages that are produced by electrostatic charging. The easiest way to do this is to touch a conductive, grounded object immediately beforehand (for example, the bare metal part of a control cabinet).

Modules must not come into contact with highly insulating materials (such as plastic sheets, insulated desktops, or articles of clothing manufactured from man-made fibers).

Modules must only be set down on conductive surfaces.

Note

During a data save operation initiated by the user, the electronics power supply for the SINAMICS DC MASTER must not be interrupted.

An active saving process is indicated by the following actions:

- The RDY LED flashes (see the "Description of functions" chapter, "Description of the LEDs on the CUD" section)
- The BOP20 flashes

Interrupting the power supply while saving can lead to the loss of the current device parameter assignments. Also refer to the "Operation" chapter, "Memory card functions" section.

8.1 Switching on

After the device is turned on (POWER ON), the drive powers up. Power-up up to operating state 7.0 in the SINAMICS DCM with the parameters saved (RAM to ROM was carried out) takes approx. 45 s. Power-up without the saved parameters (first commissioning) takes approx. 60 s.

Table 8- 1 SINAMICS DCM ramp-up times

BOP20 display	CUD LED status	Ramp-up time ¹⁾
Light on the BOP20	RDY: Red DP1: Red	POWER ON
-	RDY: Orange DP1: Red	15 s
Display "run up"	RDY: Orange DP1: Red	35 s
Operating state 12.4	RDY: Green DP1: -	40 s
Operating state 7.0	RDY: Green DP1: -	45 s
¹⁾ Power-up with saved parameters (RAM to ROM was carried out)		

The status of the LEDs on the CUD (see also Chapter "Description of functions", Section "Description of the LEDs on the CUD") is only visible if the device cover is open.

Note

If options are being used (DCC, CBE20, SMC30, TM15, TM31, TM150, etc.) and in the case of certain device configurations, the duration of the power-up increases.

Note

If an external memory card with previously saved data is plugged into the drive during power-up, the drive powers up based on the parameter assignments saved on the card (see also Chapter Memory card functions (Page 334)).

8.2 Commissioning using the BOP20 operator panel

8.2.1 Preconditions

SINAMICS basics

If you are not yet familiar with SINAMICS basics (parameters, drive objects, BICO technology, and so on), please read "Basics" in the section titled "Operation" before starting commissioning.

BOP20 operator panel

If you are not yet familiar with the BOP20 operator panel, please read "Assigning parameters using the BOP20" in the section titled "Operation" before starting commissioning.

Notation of the parameters

Expressed in full, a parameter consists of the drive object + parameter number + index, with the following notation:

(oo)pxxxxx[ii] for indexed parameters
(oo)pxxxxx for non-indexed parameters

To make these easier to read, in this chapter the drive object specification has been omitted from all parameters belonging to the "automatic speed control" drive object (= drive object 2). For example, the specification p50076[1] refers to parameter (2)p50076[1] (= drive object 2, parameter 50076, index 1).

8.2.2 Commissioning steps

Note:

Parameters with [D] are data-set dependent. Commissioning must be carried out for each data set.

<1> Access authorization

In order to be able to set the access authorization, drive object 1 (DO1) must be activated at the BOP20, see Chapter 9, Section, Displaying and operation using the BOP20.

Access level

(1)p0003 = 1 Standard
(1)p0003 = 2 Advanced
(1)p0003 = 3 Expert

〈2〉 Adjust the rated device currents

Note

The US rating must be set at p50067 for Base Drives (type 6RA80xx-2xxxx) manufactured in North America.

The **rated armature DC current for the device** must be adjusted by setting p50076[0] (in %) or p50067 if:

Maximum armature current $< 0.5 \times$ rated armature DC current for the device

The **rated field DC current for the device** must be adapted by setting p50076[1] (in %) if:

Maximum field current $< 0.5 \times$ rated field DC current for the device

〈3〉 Adjust to the actual device supply voltage

p50078[0] Rated input voltage for converter armature (in volts)
p50078[1] Rated input voltage for converter field (in volts)

〈4〉 Enter the motor data

The motor data, as specified on the motor rating plate, must be entered in the following parameters (see also the sections titled *"Thermal overload protection for the DC motor"* and *"Speed-dependent current limitation"*):

SIEMENS		CE	
DC - MOTOR 1GG6286-DNG40-1VV1-Z			
No. N- VO1215813010001 / 2007		EN 60034-1	
Wärmekl./TH.CL. 180 (H)		IP23	IMB3
		Gew./WT. 1,58 t	
V	A	1/min	kW
20 ... 420	985	10 ... 1410	2,76 ... 380
420	990	1410 ... 1620	390
p50101	p50100		
Fremderr./SEPARATE EXCIT. 310 ... 210 V, 14,5 ... 11,5 A			p50102
Fremdkühlung/SEPAR.COOLING: 0,75 m ³ /s		Luftichtung/ Dir. of Ventilation NDE-DE	
20 Bürsten/BRUSHES, ORDER CODE: NMA:2613209100			
B6C, 3~ 50 HZ, 400 V			
MADE IN GERMANY D-90441 NUERNBERG			

Figure 8-1 Example of a rating plate

p50100[D]	Rated armature current (in amperes)
p50101[D]	Rated armature voltage (in volts)
p50102[D]	Rated excitation current (in amperes)
p50104[D]	Speed n1 (in rpm)
p50105[D]	Armature current I1 (in amperes)
p50106[D]	Speed n2 (in rpm)
p50107[D]	Armature current I2 (in amperes)
p50108[D]	Maximum operating speed n3 (in rpm)
p50109[D]	1 = Speed-dependent current limitation active
p50114[D]	Motor thermal time constant (in seconds)

〈5〉 Data for actual speed value acquisition

〈5.1〉 Operation with analog tachometer

p50083[D] = 1	The actual speed value comes from the "Main actual value" (r52013) channel (terminals XT.103, XT.104).
p50741[D]	Tachometer voltage at maximum speed (– 270.00 to +270.00 V) Remark: The value set here determines the 100% speed for the closed-loop speed control.
p2000	Speed in rpm for tachometer voltage set on p50741[0] Comment 1: Parameter p2000 is used to convert from a "physical speed" (rpm) into a "relative speed" (%) and vice versa. This conversion is required for: <ul style="list-style-type: none"> • Speed setpoint input via the control panel in STARTER • Speed setpoint input via the operating screen form at the AOP30 • Calculating the display values r020, r021, r060 and r063 Remark 2: Parameter p2000 and parameters r020, r021, r060 and r063 are not data-set dependent. This is the reason why the physical speed can only be displayed correctly for one data set (DDS).

〈5.2〉 Operation with incremental encoder

p50083[D] = 2	The actual speed value comes from an incremental encoder (r0061) connected to terminal block X177.
p0400[0]	Encoder type selection

p2000 Speed in rpm at 100% speed
 Remark:
 The value set here determines the 100% speed for the closed-loop speed control.

〈5.3〉 Operation without tachometer (closed-loop EMF control)

p50083[D] = 3 The actual speed value comes from the "Actual EMF value" channel (r52287), but is evaluated with p50115.

p50115[D] EMF at 100% speed
 (1.00 to 140.00% of device rated supply voltage (p50078[0]))
 Remark:
 The value set here determines the 100% speed for the closed-loop speed control.

p2000 Speed in rpm for EMF set on p50115[0]
 Comment 1:
 Parameter p2000 is used to convert from a "physical speed" (rpm) into a "relative speed" (%) and vice versa.
 This conversion is required for:

- Speed setpoint input via the control panel in STARTER
- Speed setpoint input via the operating screen form at the AOP30
- Calculating the display values r020, r021, r060 and r063

Remark 2:
 Parameter p2000 and parameters r020, r021, r060 and r063 are not data-set dependent. This is the reason why the physical speed can only be displayed correctly for one data set (DDS).

〈5.4〉 Freely-wired actual value

p50083[D] = 4 The actual-value input is defined with p50609[C]

p50609[C] Number of the parameter that is switched to the actual speed controller value

p2000 Speed in rpm at which the parameter selected on p50609[0] accepts the value 100%

Comment 1:
 Parameter p2000 is used to convert from a "physical speed" (rpm) into a "relative speed" (%) and vice versa.

This conversion is required for:

- Speed setpoint input via the control panel in STARTER
- Speed setpoint input via the operating screen form at the AOP30
- Calculating the display values r020, r021, r060 and r063

Remark 2:
 Parameter p2000 and parameters r020, r021, r060 and r063 are not data-set dependent. For that reason, the physical speed can only be displayed correctly for one data set (CDS).

〈5.5〉 Operation with incremental encoder and SMC30

- p50083[D] = 5 The actual speed value comes from an incremental encoder connected to an SMC30 (r3770).
- p0400[1] Encoder type selection
- p2000 Speed in rpm at 100% speed
- Remark:
The value set here determines the 100% speed for the closed-loop speed control.

〈6〉 Data for field

〈6.1〉 Control of the field

- p50082 = 0 Internal field is not used
(e.g. in the case of permanent-magnet motors)
- p50082 = 1 The field is activated with the line contactor
(field pulses are activated or deactivated at the same time as the line contactor)
- p50082 = 2 Automatic switching-in of the standstill field set using p50257 after a time that can be parameterized using p50258 has elapsed, once operating state o7 or higher has been reached
- p50082 = 3 Field current permanently switched on

〈6.2〉 Field weakening

- p50081 = 0 No speed-dependent or EMF-dependent field weakening
- p50081 = 1 Field-weakening operation by means of internal closed-loop EMF control, i.e. at speeds above the motor's rated speed (= "cut-in speed"), the motor EMF is constantly kept at setpoint
 $EMF_{set} (r52289) = p50101 - p50100 \times p50110$

〈7〉 Set basic technological functions

〈7.1〉 Current limits

- p50171[D] System current limit in torque direction I (as % of p50100)
- p50172[D] System current limit in torque direction II (as % of p50100)

〈7.2〉 Torque limits

- p50180[D] Torque limit 1 in torque direction I
(as % of rated motor torque)
- p50181[D] Torque limit 1 in torque direction II
(as % of rated motor torque)

〈7.3〉 Ramp-function generator

p50303[D]	Ramp-up time 1 (in seconds)
p50304[D]	Ramp-down time 1 (in seconds)
p50305[D]	Initial rounding 1 (in seconds)
p50306[D]	Final rounding 1 (in seconds)

〈8〉 Complete quick commissioning

Set p3900 = 3.

This triggers the calculation of the motor data (Ra, La, Lf) as well as the calculation of the controller parameters resulting from the data that was entered in the previous steps.

p3900 is then reset to 0 and quick commissioning is ended, i.e. p0010 is reset to 0.

〈9〉 Execute optimization runs

Perform the optimization runs one after the other:

p50051 = 23	Optimization of the armature current control for induction load
p50051 = 24	Optimization of the field current control
p50051 = 25	Optimization of the armature current control
p50051 = 26	Optimization of the speed control
p50051 = 27	Optimization of the EMF control (incl. field characteristic recording)
p50051 = 28	Recording of the friction characteristic
p50051 = 29	Optimization of the speed control for drives with a mechanical system capable of oscillation

See Chapter "Drive optimization" for more details

If an optimization run is not carried out, the motor control uses the motor characteristic values calculated from the rating plate data rather than the measured values.

 WARNING
--

<p>During optimization runs, the drive initiates movements of the motor shaft that can reach the maximum motor speed. The EMERGENCY OFF functions must function at the commissioning.</p> <p>To protect man and machines, the relevant safety regulations must be observed.</p>

〈10〉 Checking and potential fine adjustment of maximum speed

Once the optimization runs have been executed, the maximum speed needs to be checked and, if necessary, the setting for it corrected.

If the maximum speed has now shifted by more than around 10%, the control response of the speed control loop will need to be checked; it may be necessary to repeat the optimization run for the speed controller or carry out re-optimization manually.

The optimization runs for field weakening and for friction and moment of inertia compensation must be repeated if there is any change to the maximum speed.

〈11〉 Checking the drive settings

The optimization runs do not produce the best results for every application, so in all cases it is necessary to check the controller settings using the appropriate tools (oscilloscope, STARTER trace, and so on). Some cases may require manual re-optimization.

〈12〉 Manual (re-)optimization (where required)

If the result of the optimization runs is not satisfactory, then manual post or new optimization can be performed.

The procedure is described in Chapter "Manual optimization".

〈13〉 Saving non-volatile set values

Previously, all changes in the set values were made in the RAM (Random Access Memory). If the device is switched off in this state, all settings made previously are lost. To permanently store the settings in the ROM (non-volatile memory), a RAM to ROM must be triggered by setting p0977 to 1 (p0977 is allocated to the DO 1). The saving process is indicated by the flashing of BOP20 (and the RDY LED on the CUD) and takes approx. 45 s. After the saving process has been completed, the settings are backed up in the ROM.

The drive can now be switched off (POWER OFF) without losing the settings that have been made. Also refer to the "Operation" chapter, "Memory card functions" section.

〈14〉 Documentation of set values

The following facilities are available to document the executed settings outside the device:

- External Memory card was inserted during the RAM to ROM (p0977=1). The parameters were therefore also transferred to the external Memory card.
- Write the parameters to a Memory card (p0804).
- Document the parameters in a STARTER project (load to PG). Also refer to the "Operation" chapter, "Memory card functions" section and "Commissioning with the STARTER commissioning tool" chapter.

8.3 Commissioning using the AOP30 operator panel

8.3.1 First commissioning

Note

To operate the AOP30, p2030=3 must be set.

8.3.1.1 First power-up

Start screen

When the system is switched on for the first time, the Control Unit (CUD) is initialized automatically. The following screen is displayed:



Figure 8-2 Splash screen

While the system is powering up, the parameter descriptions are loaded to the operator panel (remark: The memory card does not have to be inserted)

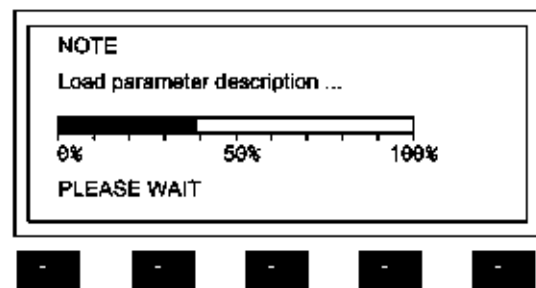
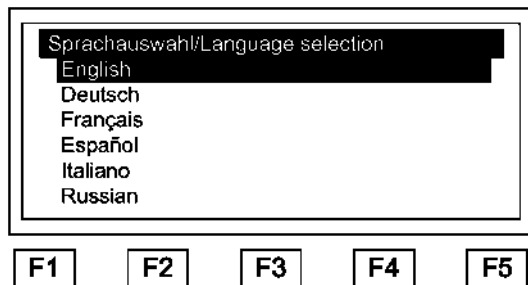


Figure 8-3 Loading of the parameter description during the system power-up

Selecting the language

When the system is first powered up, a screen for selecting the language appears.



You can select the language in the dialog screen.

To change the language, use <F2> or <F3>. To select the language, use <F5>.

Once the language has been selected, the powering-up process continues.

Once the system has successfully powered up, the drive has to be commissioned when the system is switched on for the first time after it has been delivered. The converter can then be switched on.

When the system is then powered up again, it can be operated immediately.

Navigation within the dialog screens

Within a dialog screen, the selection boxes can usually be selected using the <F2> and/or <F3> keys. Selection boxes are generally texts surrounded by a frame. When they are selected, they are highlighted by means of white text on a black background. The current value of a highlighted selection box can usually be changed by pressing <F5> "OK" and/or "Change". Another entry field then appears; the value you want can be entered directly in this using the numerical keypad or can be selected from a list.

In the wizard, you can change from a dialog screen to the next or previous screen by selecting the "Continue" or "Back" selection boxes and then confirming by pressing <F5> "OK".

If a screen contains particularly important parameters, the selection box "Continue" only appears at the bottom of the screen. This is because every single parameter in this dialog screen has to be checked thoroughly and/or corrected before the next screen can be accessed.

8.3.1.2 Full drive commissioning

Adjust the rated device currents

Note

The US rating must be set at p50067 for Base Drives (type 6RA80xx-2xxxx) manufactured in North America.

The **rated armature DC current for the device** must be adjusted by setting p50076[0] (in %) or p50067 if:

Maximum armature current $< 0.5 \times$ rated armature DC current for the device

The **rated field DC current for the device** must be adapted by setting p50076[1] (in %) if:

Maximum field current $< 0.5 \times$ rated field DC current for the device

Adapt to the actual device supply voltage

p50078[0] Rated input voltage for converter armature (in volts)

p50078[1] Rated input voltage for converter field (in volts)

Acquiring the motor data

The motor data can be taken from the motor rating plate.

SIEMENS		CE	
DC - MOTOR 1GG5286-DNG40-1VV1-Z			
No. N- VO1215613010001 / 2007		EN 60034-1	
Wärmekl./TH.CL. 180 (H)		IP23	IMB3
Gew./WT. 1,58 t			
V	A	1/min	kW
20 ... 420	985	10 ... 1410	2,76 ... 380
420	990	1410 ... 1620	390
p50101	p50100		
Fremderr./SEPARATE EXCIT. 310 ... 210 V, 14,5 ... 11,5 A p50102			
Fremdkühlung/SEPAR.COOLING: 0,75 m ³ /s		Lüftrichtung/ Dir. of Ventilation NDE-DE	
20 Bürsten/BRUSHES, ORDER CODE: NMA:2613209100			
B6C, 3~ 50 HZ, 400 V			
MADE IN GERMANY D-90441 NUERNBERG			

Figure 8-4 Example of a rating plate

p50100[d] Rated armature current

p50101[d] Rated armature voltage

p50102[d] Rated excitation current

p50103[d] Minimum excitation current (optional)

p50114[d] Thermal time constant for motor

See the section titled "Thermal overload protection for the DC motor (I2t monitoring of the motor)"

When you have finished entering the motor data, choose "Continue" underneath the final parameter value and activate with <F5> (OK).

Encoder selection

p50083[d] Actual speed controller value selection

Analog tachometer screen

p50741[d] Tachometer voltage at maximum speed

p2000 Reference speed

Pulse encoder screen

p0400[e] Encoder type selection

p0404[e] Encoder configuration active

p0405[e] Square-wave encoder A/B

p0408[e] Rotary encoder pulse no.

p2000 Reference speed

EMF controlled screen

p50115[d] EMF at maximum speed

p2000 Reference speed

Freely wired screen

p50609[c] Actual speed controller value signal source

p2000 Reference speed

DRIVE-CLiQ encoder screen

p0400[e] Encoder type selection

p0404[e] Encoder configuration active

p0405[e] Square-wave encoder A/B

p0408[e] Rotary encoder pulse no.

p2000 Reference speed

Data on field

p50081 Field weakening

p50082 Field operating mode

Basic commissioning

p50171	Current limit, torque direction I
p50172	Current limit, torque direction II
p50180	Torque limit I
p50181	Torque limit II
p50303	Ramp-up time 1
p50304	Ramp-down time 1
p50305	Initial rounding 1
p50306	Final rounding 1

Final confirmation

Confirm the parameters you have entered to save them. Once you have selected "Continue" and activated your entries with <F5>, the parameters you entered will be permanently saved and the calculations required for closed-loop control carried out.

Optimization runs

Perform the optimization runs one after the other:

To navigate through the selection fields, choose <F2> or <F3>.

To activate a selection, choose <F5>.

p50051 = 23	Optimization of the armature current control for induction load
p50051 = 24	Optimization of the field current control
p50051 = 25	Optimization of the armature current control
p50051 = 26	Optimization of the speed control
p50051 = 27	Optimization of the EMF control (incl. field characteristic recording)
p50051 = 28	Recording of the friction characteristic
p50051 = 29	Optimization of the speed control for drives with a mechanical system capable of oscillation

See Chapter "Drive optimization" for more details

If an optimization run is not carried out, the motor control uses the motor characteristic values calculated from the rating plate data rather than the measured values.

WARNING

During optimization runs, the drive initiates motor movements that can reach the maximum motor speed.

The EMERGENCY OFF functions must function at the commissioning.

To protect man and machines, the relevant safety regulations must be observed.

8.3.2 Status after commissioning

LOCAL mode (control via operator panel)

- You switch to LOCAL mode by pressing the "LOCAL/REMOTE" key.
- Control (ON/OFF) is carried out via the "ON" and "OFF" keys.
- You can set the setpoint using the "Increase" and "Decrease" keys or by entering the appropriate numbers on the operation screen using the numeric keypad.

8.3.3 Resetting parameters to factory settings

The factory settings represent the defined original status of the unit on delivery.

Resetting the parameters to the factory settings means that all the parameter settings made since the system was delivered are reset.

Setting the parameter filter to "Parameter reset"

<MENU> <Commissioning/Service> <OK> <Device commissioning> <OK> <30: Parameter Reset> <OK>

Restoring all parameters to their factory settings

All of the unit parameters are reset to their factory settings. The AOP30 is powered down and back up again during this process.

8.4 Commissioning with the STARTER commissioning tool

8.4.1 STARTER commissioning tool

Description

You can use the STARTER commissioning tool to configure and commission your SINAMICS drives or drive systems. The drive configuration can be performed with the aid of the STARTER wizard for drive configuration.

Note

This chapter described how to commission with STARTER. STARTER has a comprehensive online help that explains in detail all of the sequences and setting options in the system. This is the reason that this chapter is restricted to the individual commissioning steps.

Prerequisites for installing STARTER

STARTER is installed on a PG / PC. The hardware and software preconditions are described in the readme file for STARTER. This file can be called from the starting page of the SINAMICS DCM documentation on DVD.

Note

The SIMOTION SCOUT engineering tool includes the STARTER functionality to commission drives.

From version V4.2, SCOUT has also been released for commissioning SINAMICS DCM.

8.4.1.1 Installing the STARTER commissioning tool

STARTER is installed using the "setup" file on the CD supplied. When you double-click the "Setup" file, the installation wizard guides you through the process of installing STARTER.

8.4.1.2 Layout of the STARTER user interface

STARTER provides these 4 operating areas:

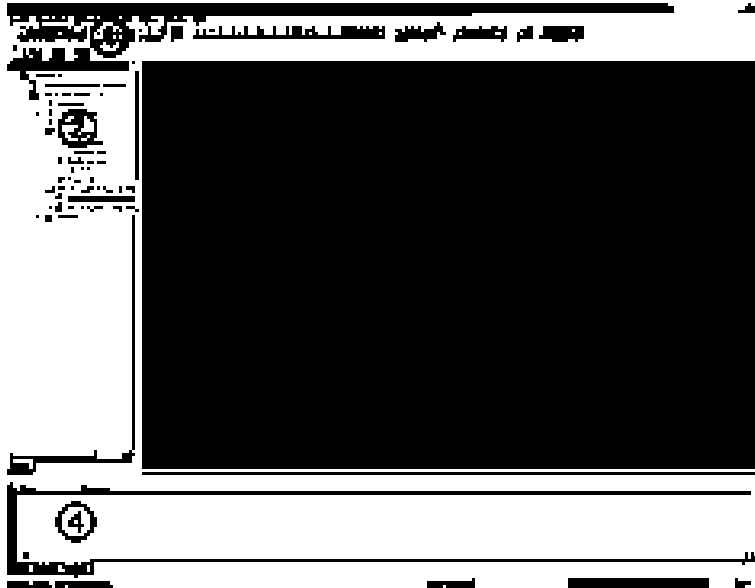


Figure 8-5 STARTER operating areas

Operating area	Explanation
① Toolbars	In this area, you can access frequently used functions by clicking icons.
② Project navigator	The elements and objects contained in the project are displayed in this area.
③ Working area	Changes to the drive units are made in this area.
④ Detail view	This area displays detailed information, for instance about faults and alarms.

8.4.2 Procedure for commissioning with STARTER

Basic procedure when using STARTER

STARTER uses a series of interactive screens to enter the data required for the drive unit.

Note

The interactive screens are pre-assigned defaults that you need to adapt to your application and configuration under certain circumstances.

This is a deliberate procedure!

Target: By taking time to consider what configuration data you enter, you can prevent inconsistencies between the project data and drive unit data (identifiable in online mode).

8.4.2.1 Creating the project

Click the STARTER icon on the desktop or select the menu command Start > Simatic > STEP 7 > STARTER in the Windows start menu to start the STARTER commissioning tool.

The following main screen with the interactive dialogs appears after starting for the first time:

- STARTER Getting Started Drive Commissioning
- STARTER Project Wizard

The commissioning steps are listed below as numbered step sequences.

Accessing the STARTER project wizard

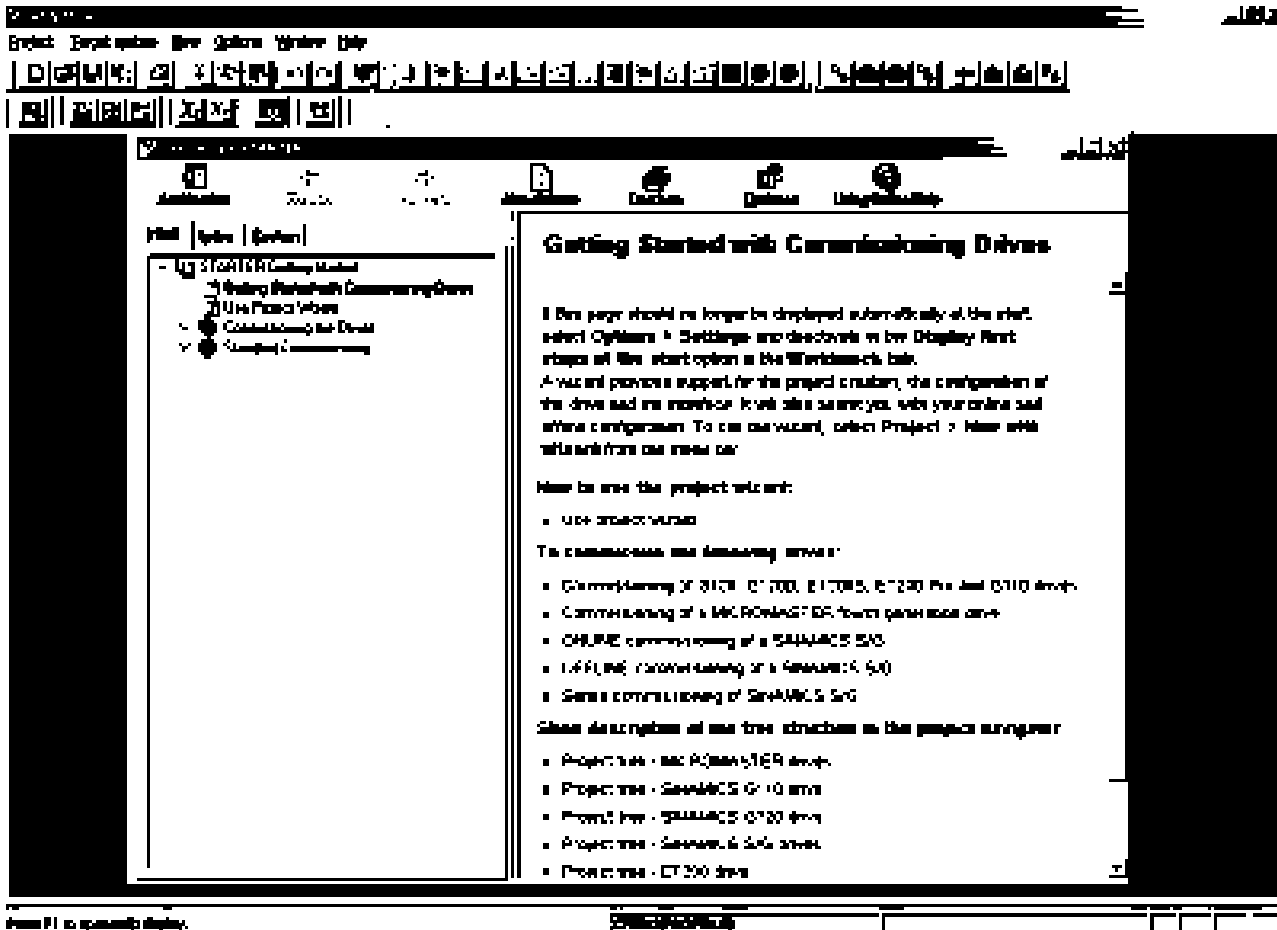


Figure 8-6 Main screen of the STARTER parameter assignment and commissioning tool

⇒ Hide "STARTER Getting Started Drive Commissioning" with **HTML Help > Close**

Note

When you deactivate the **Display wizard during start** checkbox, the project wizard is no longer displayed the next time you start STARTER.

You can call up the project Wizard by choosing **Project > New with Wizard**.

To deactivate the **Getting Started** online help, follow the information provided in help.

Online help can be restarted at any time via **Help > Getting Started**.

STARTER features a detailed online help function.

The STARTER project wizard

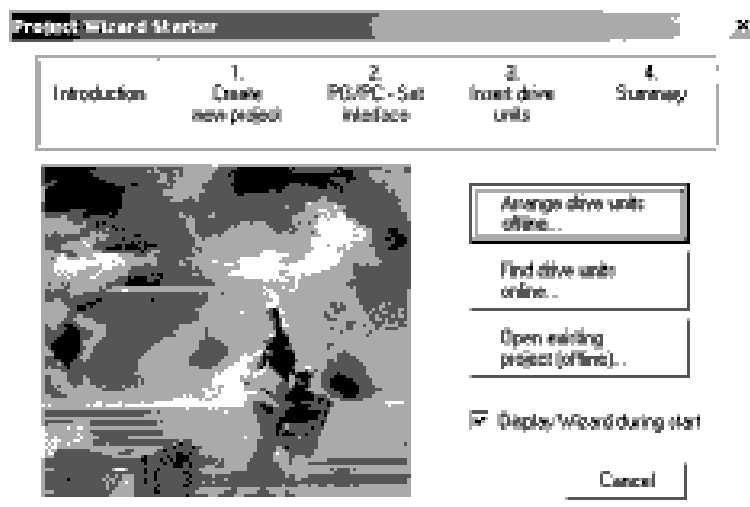


Figure 8-7 STARTER project wizard

⇒ Click **Arrange drive units offline...** in the STARTER project wizard

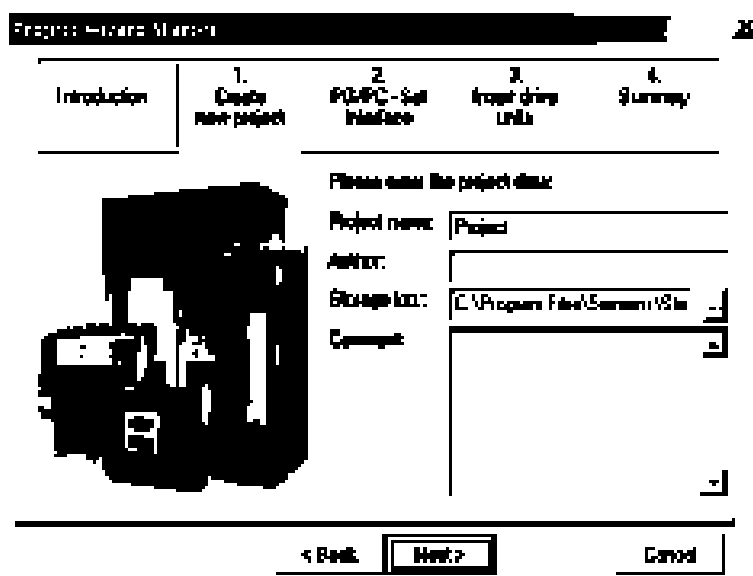


Figure 8-8 Creating a new project

⇒ Enter a **project name** and, if necessary, the **author**, **memory location** and a **comment**.

⇒ Click **Continue >** to set up the PG/PC interface.

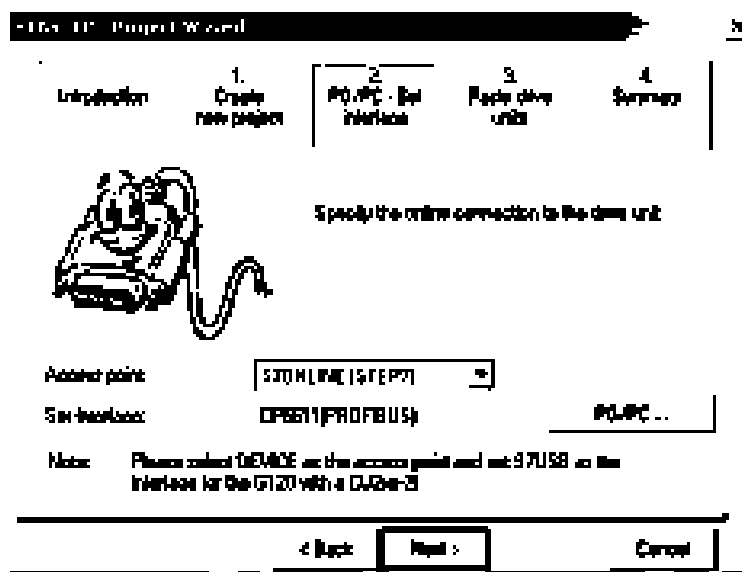


Figure 8-9 Setting up the interface

⇒ Click **PG/PC...** and set up the interface according to your device configuration.

The **Properties...**, **Copy...** and **Select...** buttons are available.

Set **S7ONLINE** as access point.

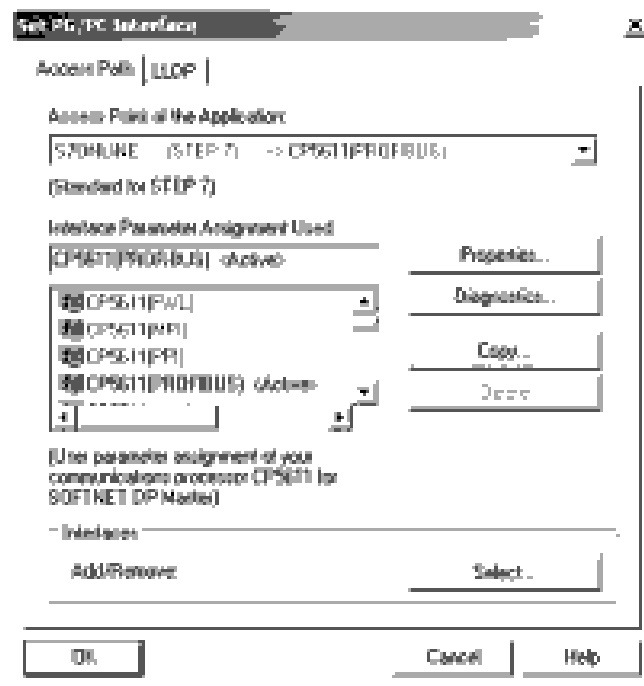


Figure 8-10 Setting the interface

Note

To parameterize the interface, you must install the appropriate interface card (e.g. PC Adapter (PROFIBUS)).

We recommend the use of the Siemens USB PROFIBUS Adapter CP5711. Article number 6GK1571-1AA00.

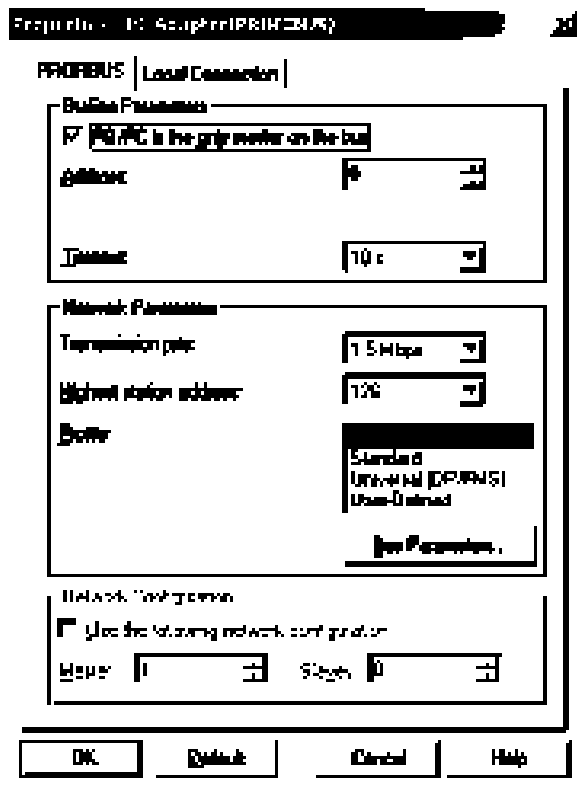


Figure 8-11 Setting the interface - properties

Note

PG/PC is the only master on bus must be activated if no other masters (PC, S7, etc.) are available on the bus.

Note

Even if no PROFIBUS interface is installed in the PC, projects can be generated and PROFIBUS addresses for the drive objects can be assigned.

Only the bus addresses available in the project will be offered. That prevents double bus address assignments.

⇒ After completion, click **OK** to confirm the setup and to return to the project wizard.

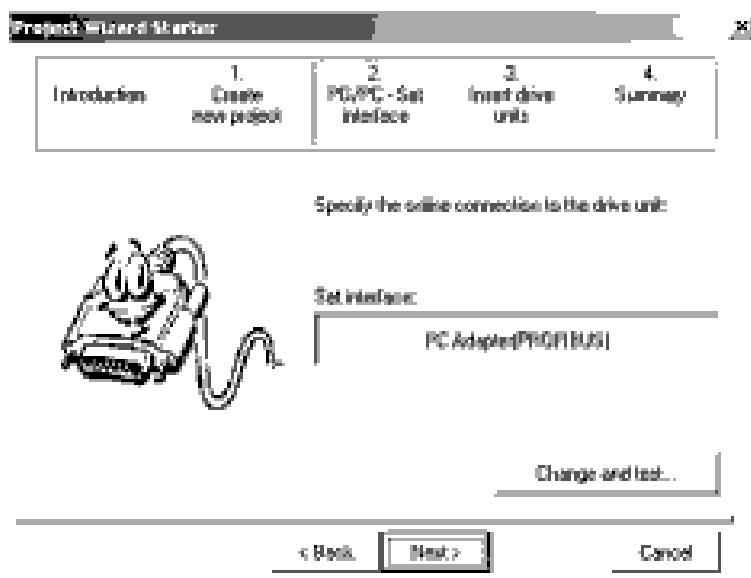


Figure 8-12 Setting the interface

⇒ Click **Continue >** to set up a drive device in the project wizard.

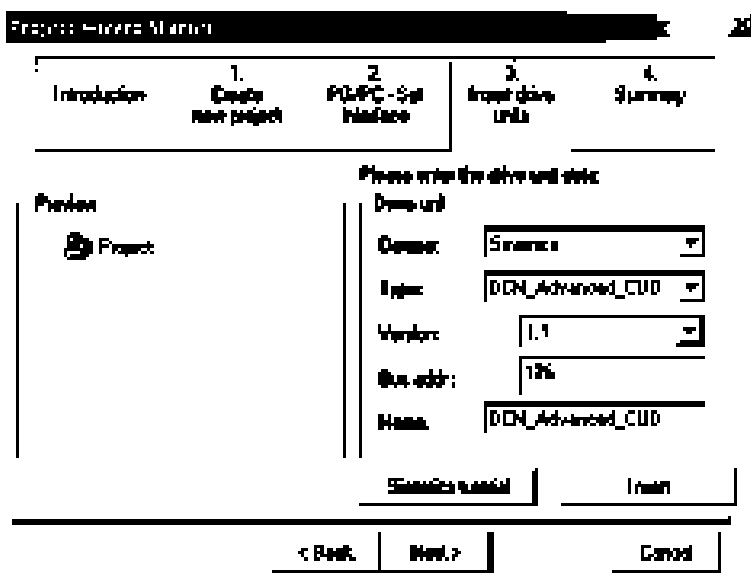


Figure 8-13 Inserting a drive unit

⇒ Select the following data from the list fields:

- Unit:** SINAMICS DCM
- Type:** Standard CUD /
Advanced CUD, if you have purchased Option G01
Standard CUD [2] for a Standard CUD in the right-hand slot
Advanced CUD [2] for a Advanced CUD in the right-hand slot

Version: actual version
Bus address: The corresponding drive bus address (the default is 126)
Name: Any desired name can be entered in the name box

Note

For a download, the bus address assigned here is transferred to the device, but is not transferred to parameter p918.

To keep p918 consistent with the project, after a "Load to target device" a "Load to PG" must still be performed – and must be repeated after every change to p918 using BOP20 or AOP30.

Note

A second CUD for expanding the computing capacity is created in the STARTER as an independent device, type "Sinamics DCM Standard (Advanced) CUD [2]".

Explanation: "[2]" is the SINAMICS nomenclature for indexed data. In this case, it is used as a name - independent of any language for a second CUD inserted in the right-hand slot.

⇒ Click **Insert**

The selected drive unit is displayed in the project wizard preview window.

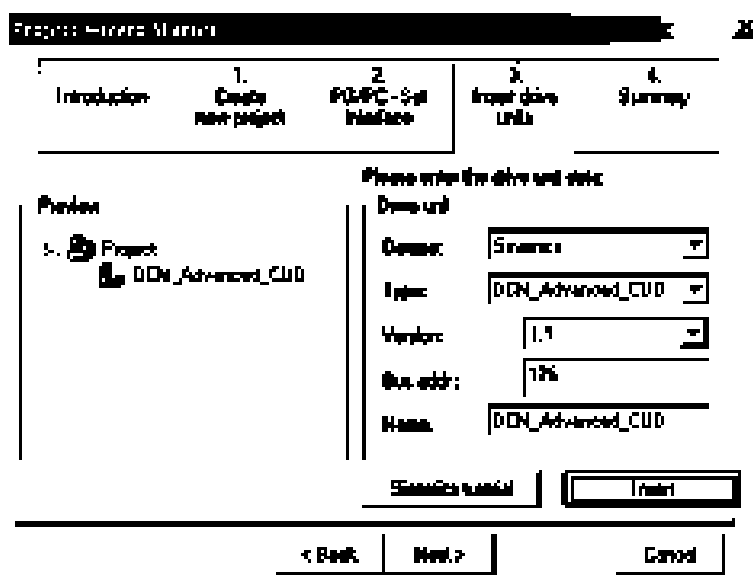


Figure 8-14 Inserting a drive unit

⇒ Click **Continue >**

A summary of the project is displayed.

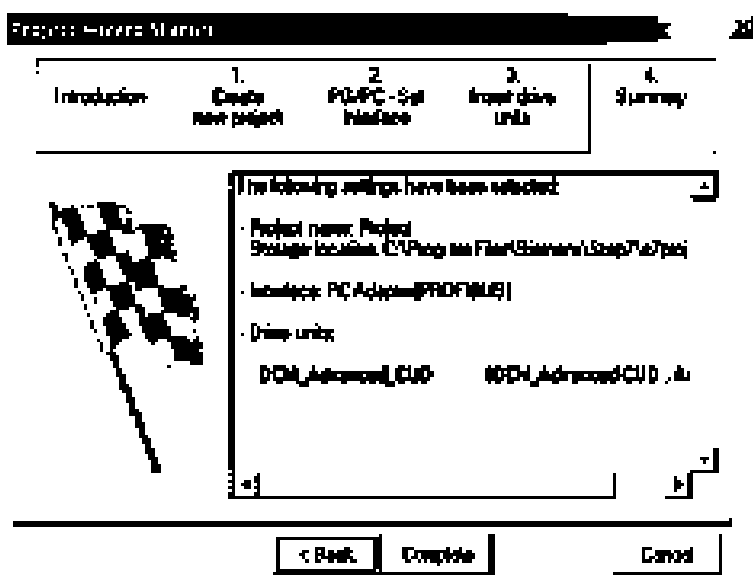


Figure 8-15 Summary

⇒ Click **Complete** to complete the creation of a new project for the drive unit.

8.4.2.2 Configuring a drive unit

Note: STARTER must be offline.

In the project navigator, open the tree element that contains your drive unit.

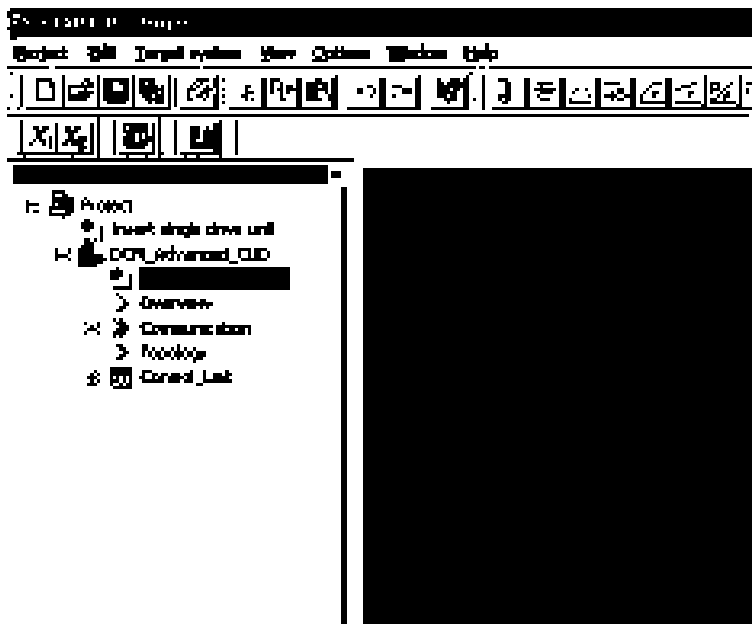


Figure 8-16 Configuring the project navigator drive unit

⇒ In the project navigator, click the plus sign next to the drive unit that you want to configure. The plus sign changes into a minus sign and the options for configuring the drive unit appear as a directory tree under the drive unit.

⇒ Double click **Configure drive unit**

Configuring a drive unit

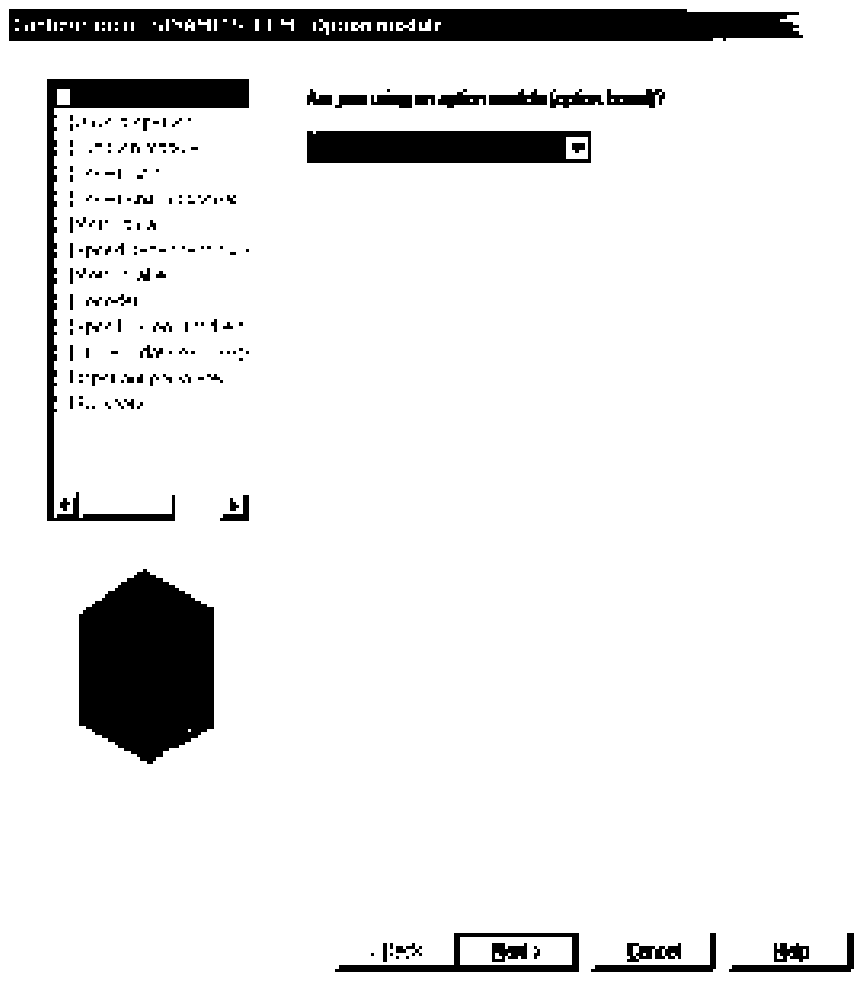


Figure 8-17 Configuring a drive unit

⇒ If you have plugged in a Profinet CBE20 module (option G20), the module needs to be activated here

⇒ Click **Continue >**

Under **Drive properties**, you can enter optional information about the drive/project.

⇒ Click **Continue >**

Selecting the function modules

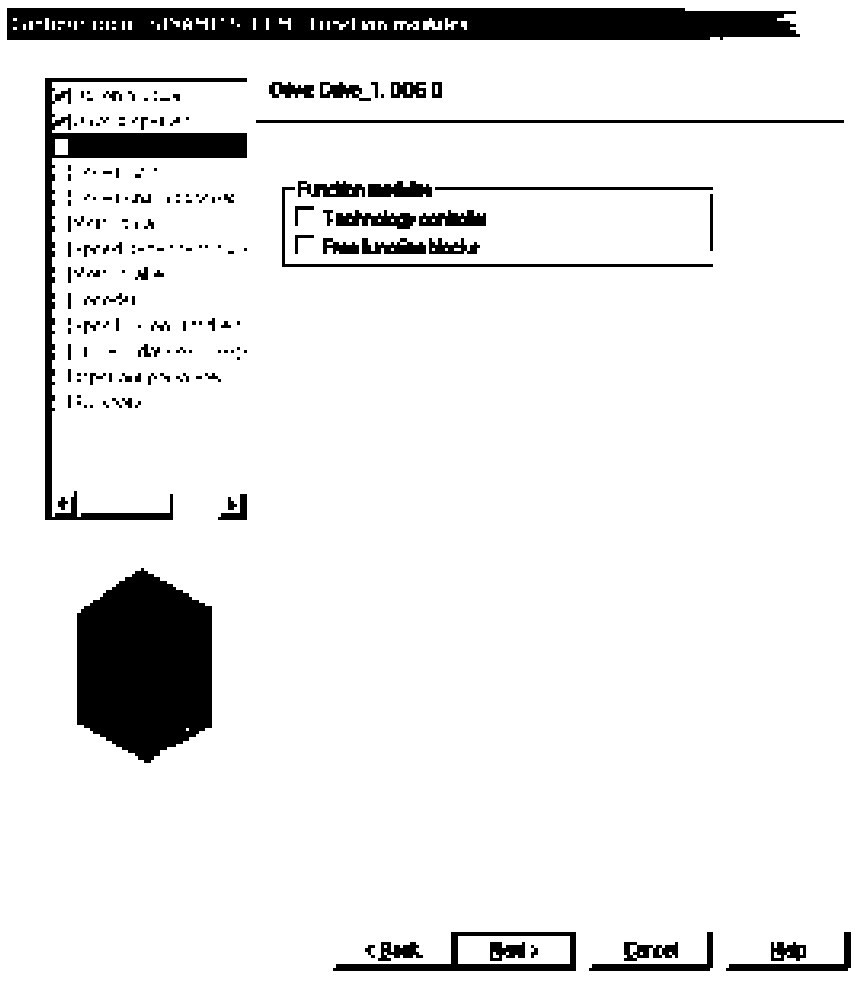


Figure 8-18 Selecting options

- ⇒ If you want to use the free function blocks, you can activate them here.
- ⇒ Click **Continue** >

Selecting the size of the unit

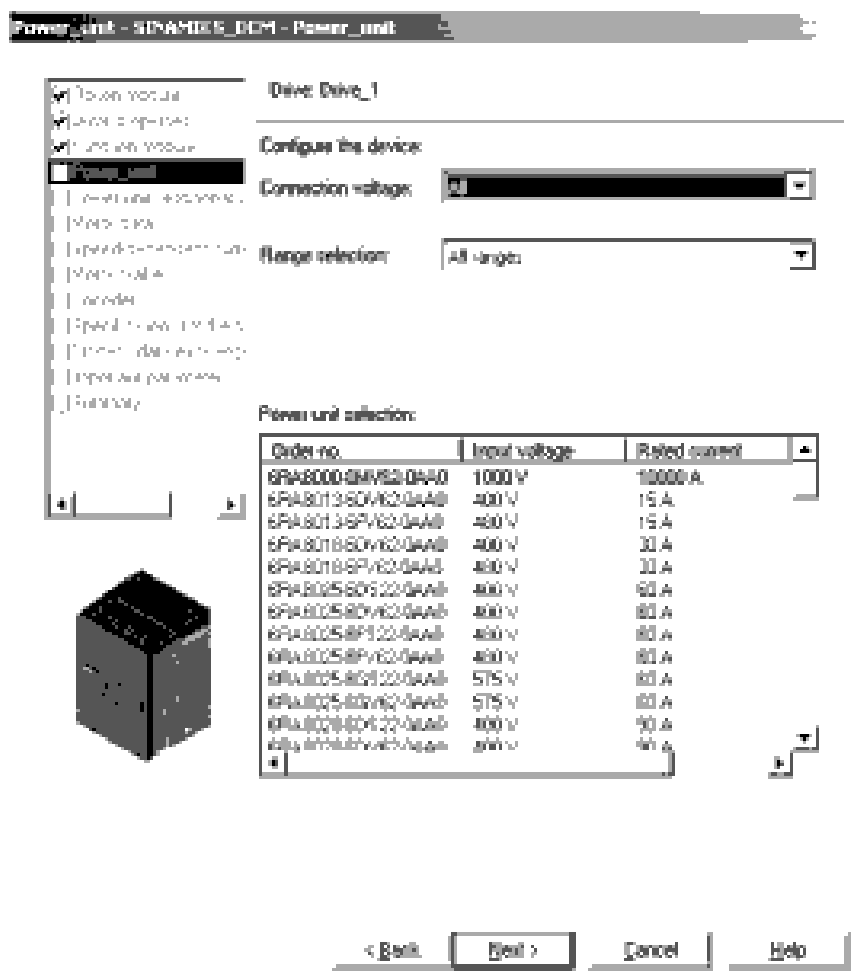


Figure 8-19 Selecting the size of the unit

You can filter the MLFB list with the supply voltage and range selection (2Q/4Q) boxes

⇒ Select the corresponding unit according to the MLFB on the rating plate.

⇒ Click **Continue >**

Adapting unit data and entering motor data

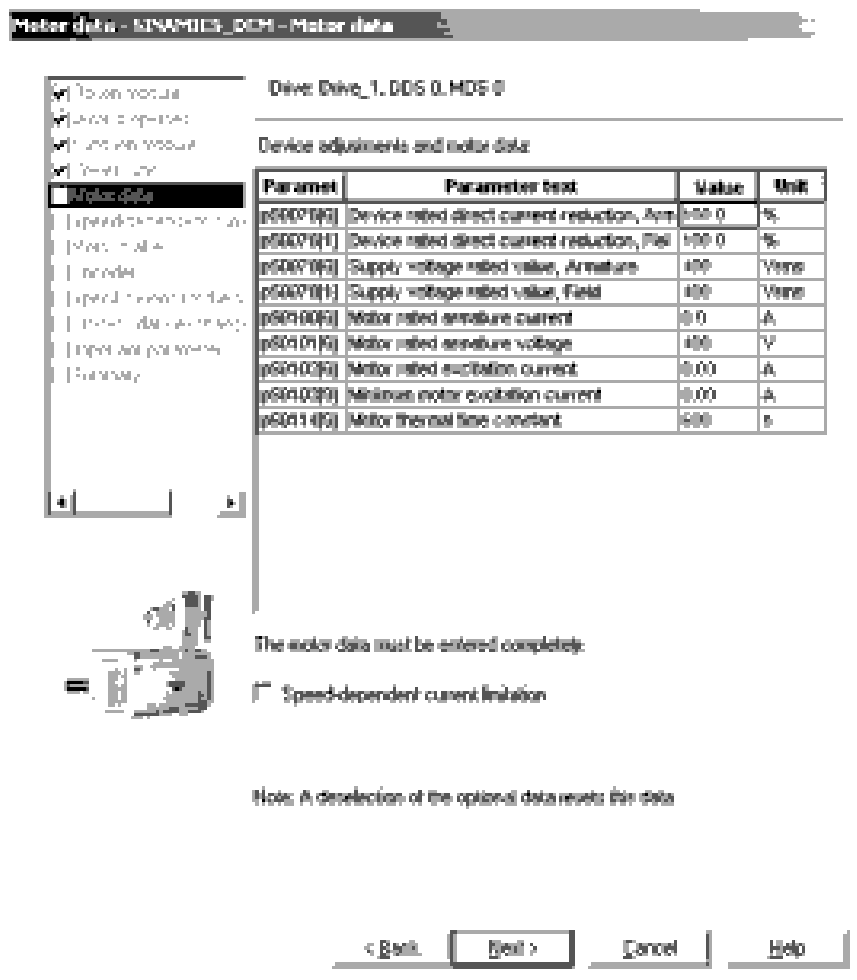


Figure 8-20 Motor data

⇒ Adapt the rated armature DC current for the unit by making a setting at p5007[0] (in %) or p50067 if:

Maximum armature current <math> < 0.5 \times </math> rated armature DC current for the unit

⇒ Adapt the rated armature DC current field for the unit by making a setting at p5007[1] (in %) if:

Maximum field current <math> < 0.5 \times </math> rated field DC current for the unit

⇒ Enter the actual supply voltage for the unit p50078

⇒ Enter the **motor rating data** according to the motor rating plate here.

NOTICE

The data are very important to protect against overloading and must be entered correctly.

⇒ Click **Continue** >

Brake control

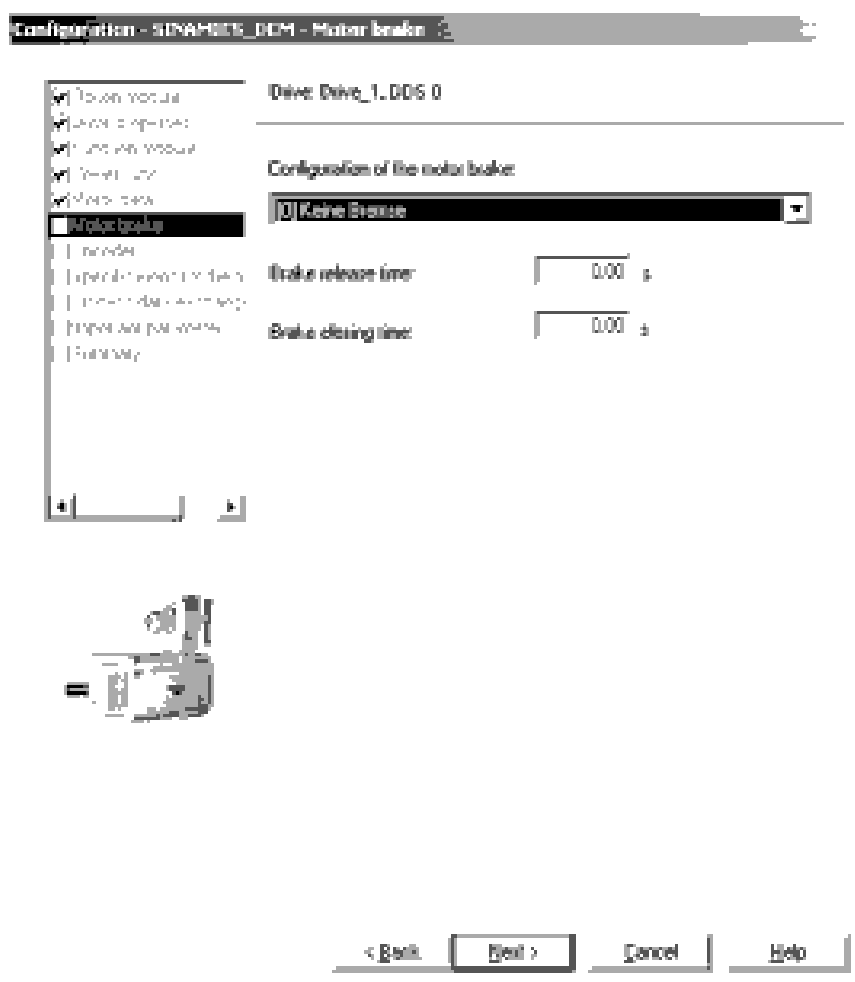


Figure 8-21 Motor brake

⇒ If a motor brake is available, the type and properties can be set here.

⇒ Click **Continue** >

Entering the actual value source

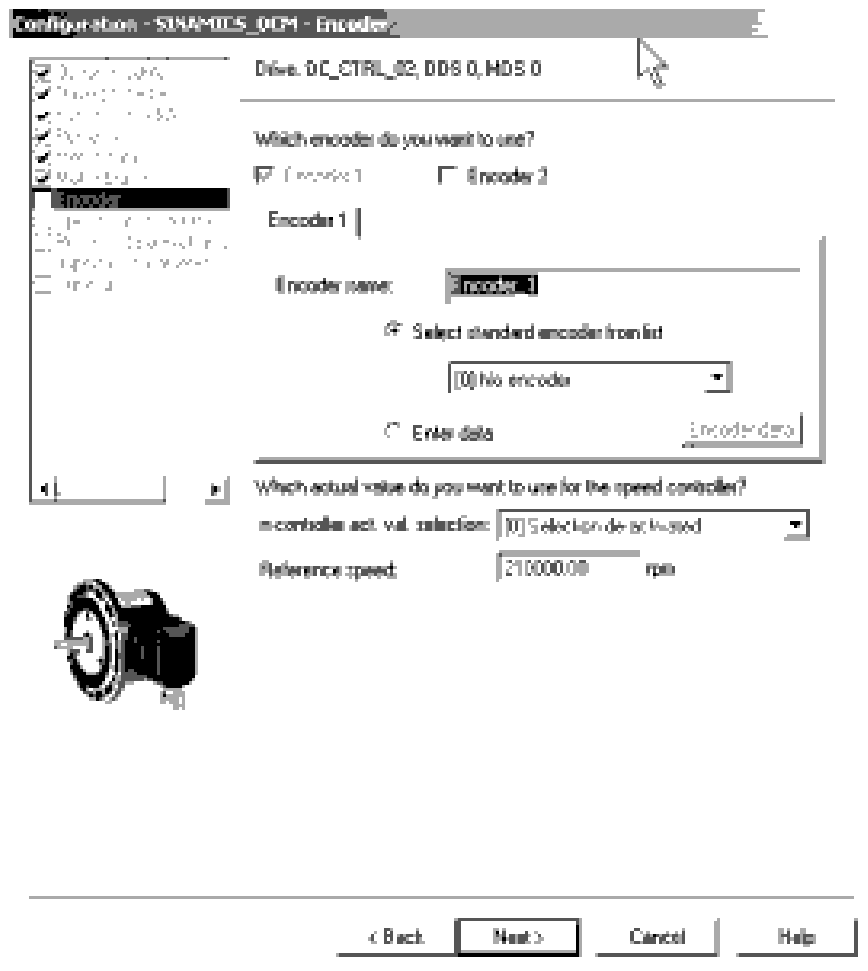


Figure 8-22 Configuring the motor - specifying the actual value source

"Encoder 1" is the encoder evaluation on the CUD.

"Encoder 2" is the evaluation of an optional encoder using SMC30

⇒ Enter the type of tachometer or other actual value source. The drive cannot be operated if no selection is made.

⇒ Enter the reference speed. For display on the AOP30 or to transfer the speed variables via PROFIBUS, the physical speed at 100 % is specified here.

⇒ Click **Continue** >

Encoder data - analog tachometer

⇒ Enter the tachometer voltage at maximum speed.

⇒ Click **Next** >

Encoder data - incremental encoder

Figure 8-23 Entering the encoder data

⇒ Enter the encoder type (usually HTL/TTL), the number of pulses per revolution, the level and the zero mark configuration

NOTICE

Terminal X177.41 always delivers +15 V to supply the incremental encoder. That is independent of the "voltage supply" setting selected in the box.

Note

The SMC30 supplies 5 V / 24 V encoder supply.

⇒ Click **Next** >

Encoder data - Actual EMF value

⇒ Specify the EMF at maximum speed.
(The EMF must be specified as a percentage of the voltage shown in the screen).

⇒ Click **Next** >

Encoder data - Freely wired actual value

⇒ Enter the source with the actual value for the closed-loop controller via the BICO interconnection.

⇒ Click **Next >**

Encoder data – Encoder on the SMC30 evaluation module

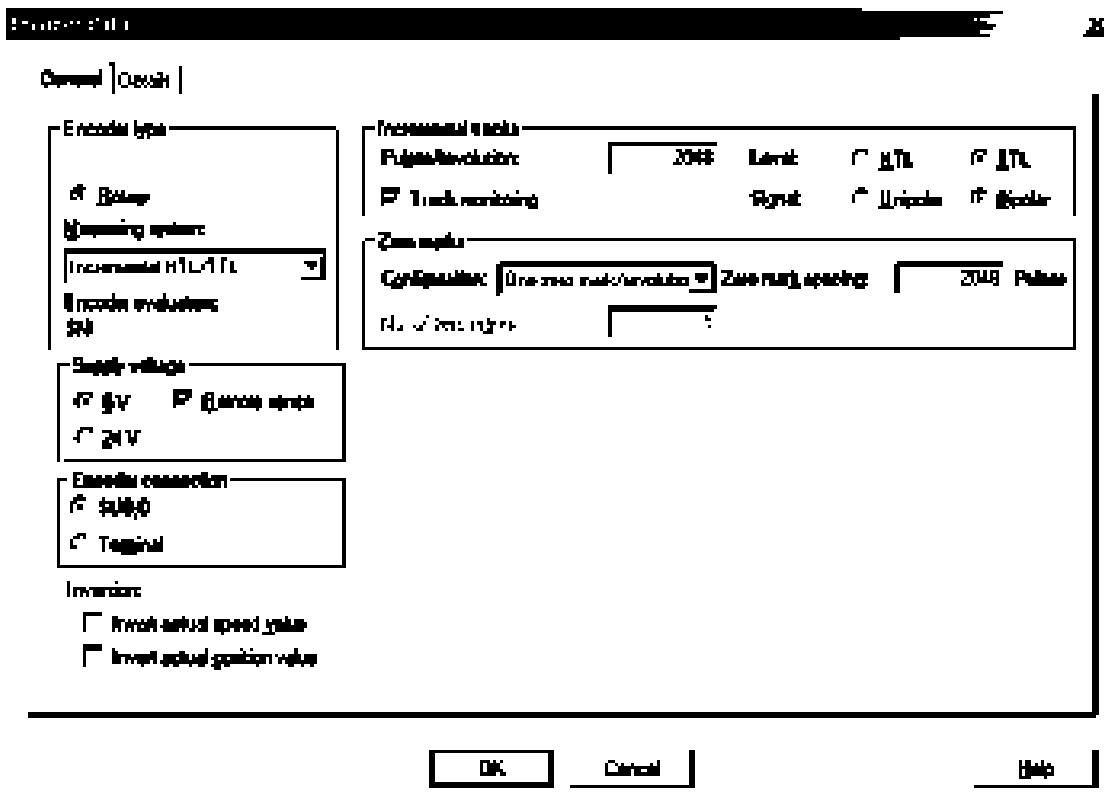


Figure 8-24 Entering the encoder data (DRIVE-CLiQ)

⇒ Enter the encoder type (usually HTL/TTL), the number of pulses per revolution, the level and the zero mark configuration

⇒ Click **Next >**

Data on field

Drive Drive_1, DCM 0 - Specifications for the field

Field weakening: 00 Deactivated

Control of the type: V/f

Field supply voltage: 400 V

Slowlift limit: 00 %

Drift limit: 100 %

< Back Continue > Cancel Help

Figure 8-25 Data on field

⇒ Select the behavior of the field control and, if applicable, the field weakening.

Note

If field weakening is activated, the field characteristic curve must be recorded with the optimization run p50051= 27 on the drive before the drive can be switched on.

⇒ Click **Continue >**

Telegram selection

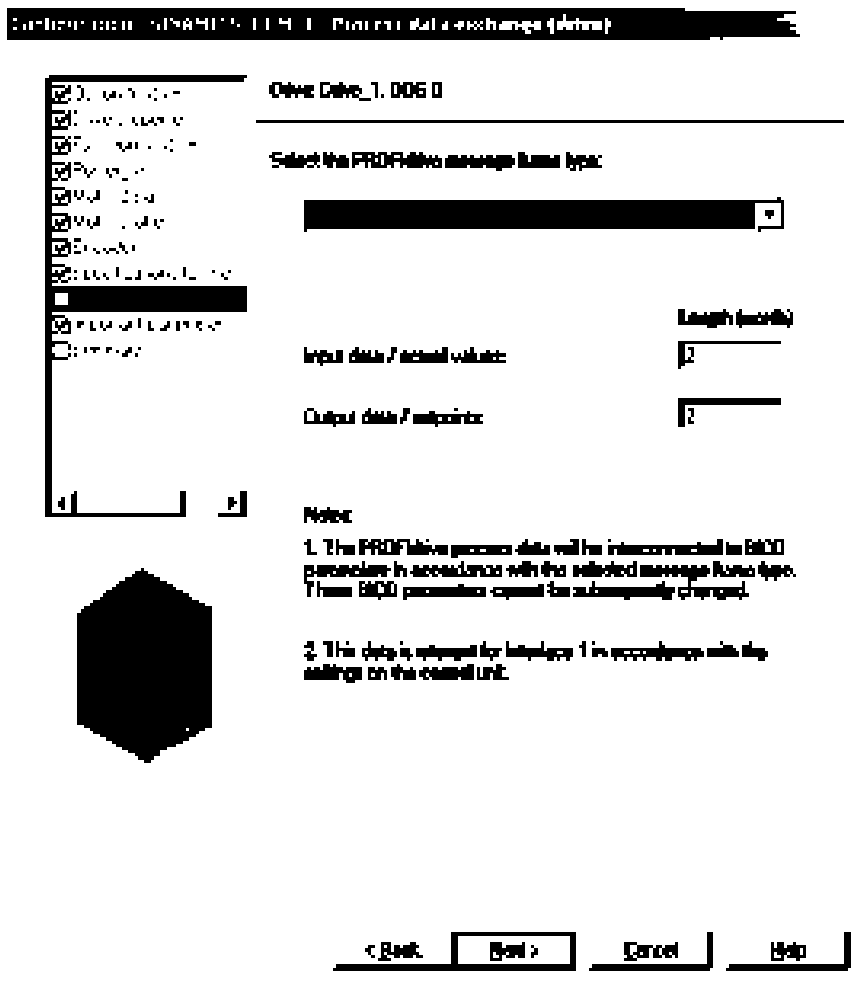


Figure 8-26 Selecting the telegram type

⇒ Select a standard telegram type or, with free configuration, the process data lengths.

Note

If a standard telegram is selected, BICO interconnections are triggered which cannot be re-parameterized. If, e.g., p0840 is to be changed again, a switchover to free telegram configuration has to be made first.

⇒ Click **Continue >**

Entering important parameters

Insert card number: 4549115 014 Important parameters

Drive Data_1, D06 0

Set the values for the most important parameters:

Current limit A:	
Current limit B:	100.0
Torque limit A:	300.00
Torque limit B:	300.00
Ramp-up time:	10.00
Ramp-down time:	10.00
Initial rounding:	0.00
Final rounding:	0.00

< Back Back > Cancel Help

Figure 8-27 Important parameters

If necessary, enter important technological parameters.

Summary

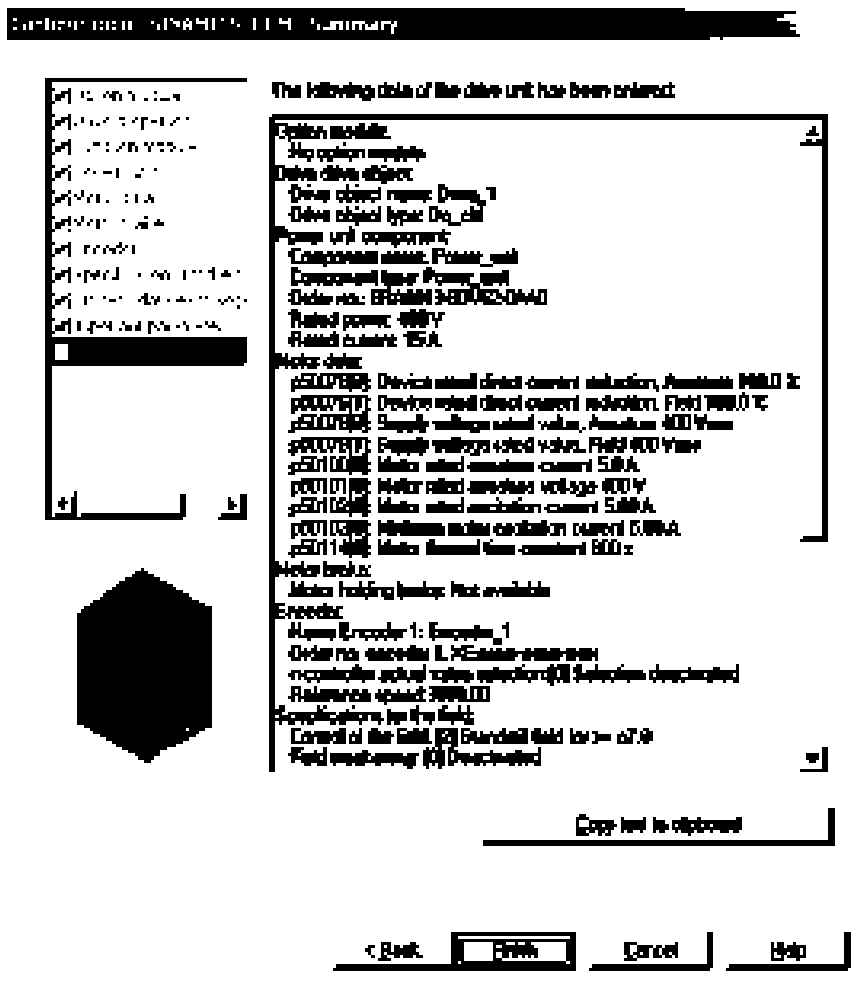


Figure 8-28 Summary

- ⇒ Use **Copy text to clipboard** to insert the summary of the data of your drive unit displayed in the window for later use in text processing.
- ⇒ Click **Finish**.
- ⇒ Save your project on the hard disk with **Project > Save**.

8.4.2.3 Starting the drive project

You have generated a project and saved it to your hard disk. The next step is to transfer your project configuration data to the drive unit.

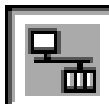
Transferring a STARTER project to the drive unit

The following steps are required to transfer the STARTER project created offline to the drive unit:

- **Step 1**

Select the menu command **Project > Connect to target system**

Selection in the toolbar:



- **Step 2**

Select DCM_ADVANCED_CUD as drive unit in the following screen and confirm with OK:

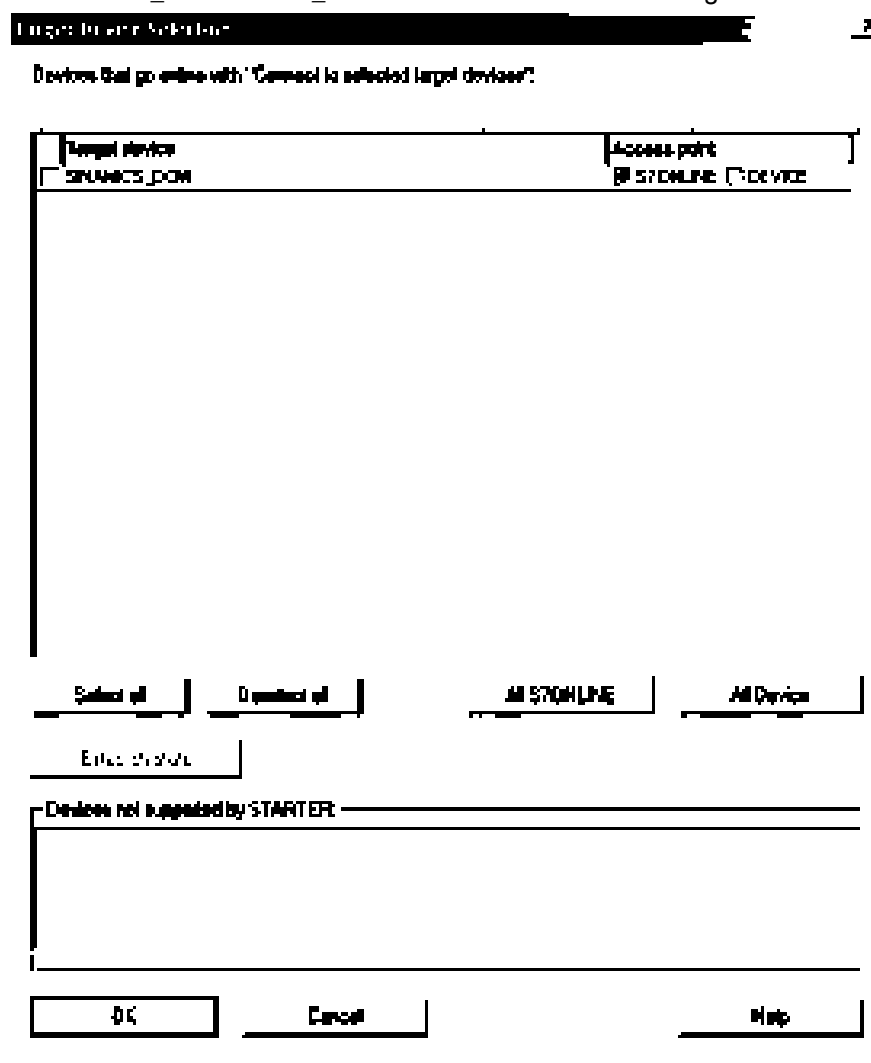


Figure 8-29 Target device selection

- Step 3

Select the menu command **Download**:

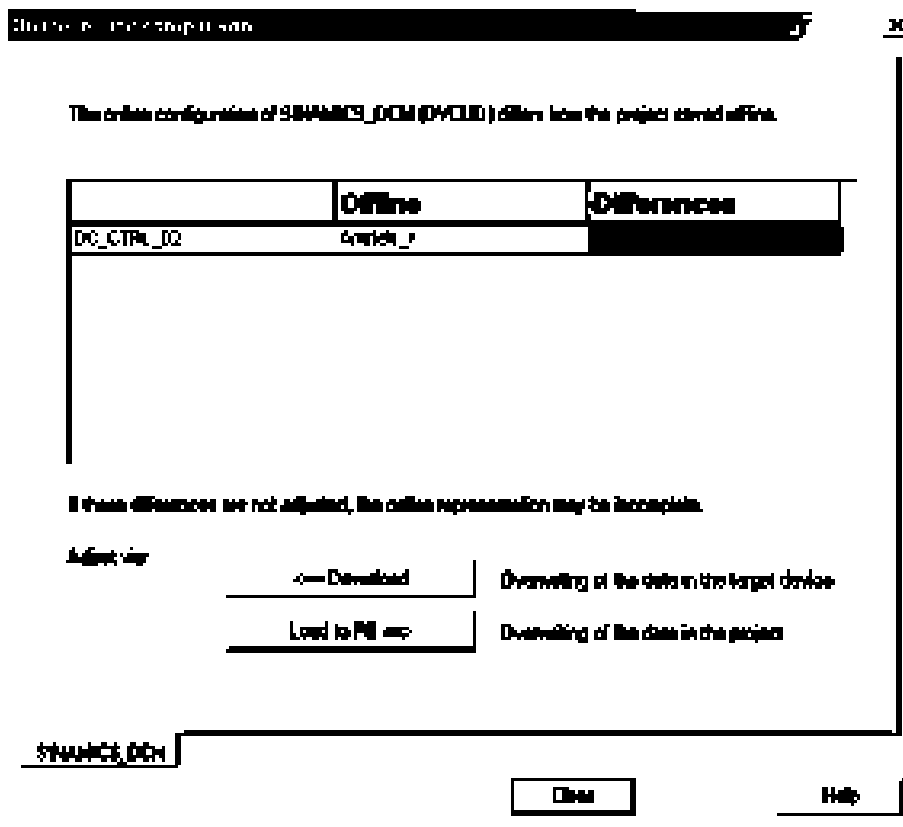


Figure 8-30 Online/offline comparison

- Step 4

Activate the checkboxes if the DCC charts are also to be stored in the device and Copy RAM to ROM is to be performed after the download.

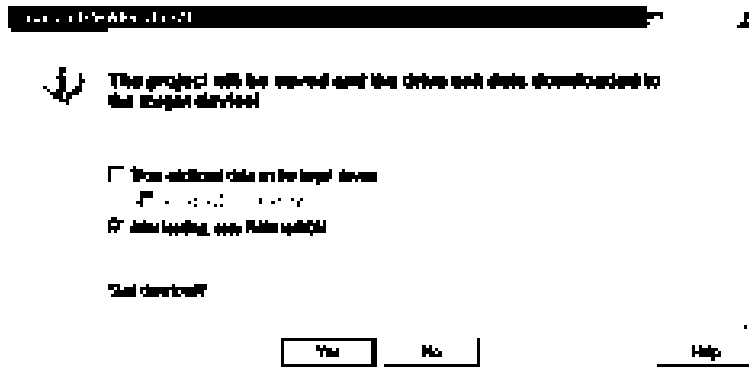


Figure 8-31 Downloading to the target device

Alternatively, the download to the target system can also be performed as follows:

- **Step 1**

Select the menu command **Target system > Download > Project to target system**

Selection in the toolbar



Note

Your project data has now been transferred to the drive unit. Presently, this data is only in the volatile memory (RAM) of the drive unit, however, neither saved in the non-volatile memory (ROM) nor on an optionally inserted memory card (see also Chapter "Memory card functions").

To save your project data in the ROM and on the optionally available memory card of your drive unit so that it is protected against power failure, carry out the following steps.

- **Step 2**

Select the menu command **Target system > Target system > Copy RAM to ROM**

Selection in the toolbar



Note

The button for copying **RAM to ROM** can only be activated if the drive unit has been marked in the project navigator.

Results of the preceding steps

- You have generated a project for your drive unit using the STARTER offline
- You have saved your project data to your PC hard drive
- You have transferred your project data to the drive unit
- You have saved your project data in your drive unit's FLASH memory so that it is backed up in the event of a power failure

8.4.2.4 Connection through a serial interface

Along with the connection through the PROFIBUS, there is also a facility for data exchange via a serial interface on the mainboard of the computer.

Note: The serial connection does not function with USB to serial converters.

Requirements

- A serial interface (COM) must be available on the PC from which the connection will be made.
- An AOP30 must not be connected with the drive.

Connecting cables

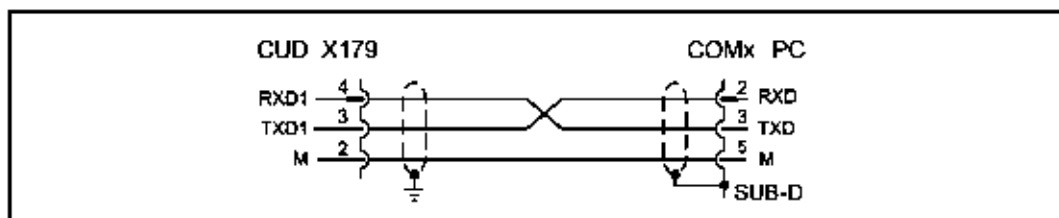


Figure 8-32 Assignment, RS232 cable

Settings

1. Preparations on the device:
Make the following settings via the BOP20:
DO1.p0003 = 3
DO1.p2030 = 3
DO1.p2011 = 3 (left CUD) or
DO1.p2011 = 5 (right CUD)
Then perform "Save parameters" and switch the electronic power supply OFF and ON again so that the settings can take effect.
2. In STARTER, from **Project > Set PG/PC interface**, select the **Serial cable (PPI)** interface. If this is not available in the drop-down list, you first have to add it using **Select**.

Note

If the interface cannot be added to the selection menu, the driver for the serial interface still needs to be installed.

This is located in the following path on the STARTER CD:

`\installation\starter\starter\Disk1\SerialCable_PPI\`

STARTER must not be active while the driver is being installed.

3. Enter the following settings. The "0" address and the transmission rate 57.6 kbit/s are important here.

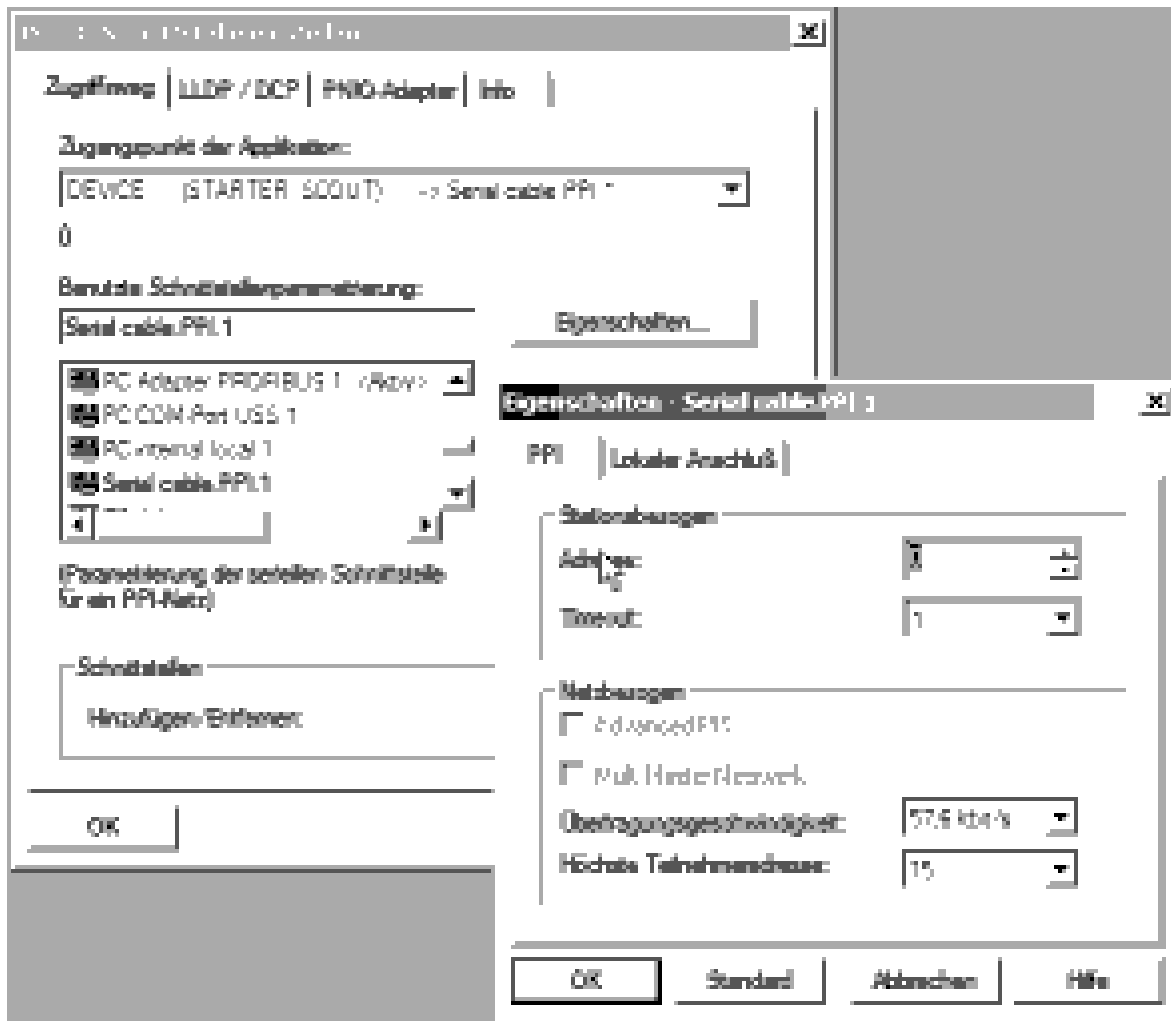


Figure 8-33 Setting the interface

- 4. The PPI bus address for a drive unit with a CUD is fixed at 3, for an expansion CUD in the right slot it is fixed at 5.
- 5. When creating the drive unit, also set the corresponding bus address.

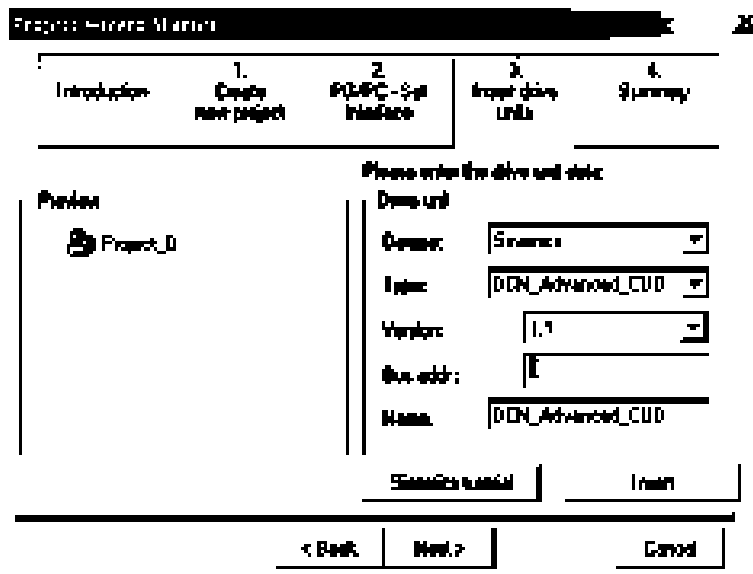


Figure 8-34 Setting the bus address

8.5 Activating function modules

Subfunctions can be activated in the SINAMICS family drives as function modules.

Through activation, the parameters of the corresponding functionalities are also displayed.

Function modules can be individually activated / deactivated on every drive object.

For SINAMICS DC MASTER, the following subfunctions are modeled as function module.

- Technology controller
- Free function blocks
- PROFINET interface

8.5.1 Activating offline with STARTER

Function modules can be defined for all DOs by using the properties dialog (activate by clicking with the right mouse button on the DO in the project navigator). Shown as example for the closed-loop control DO "Drive_1":

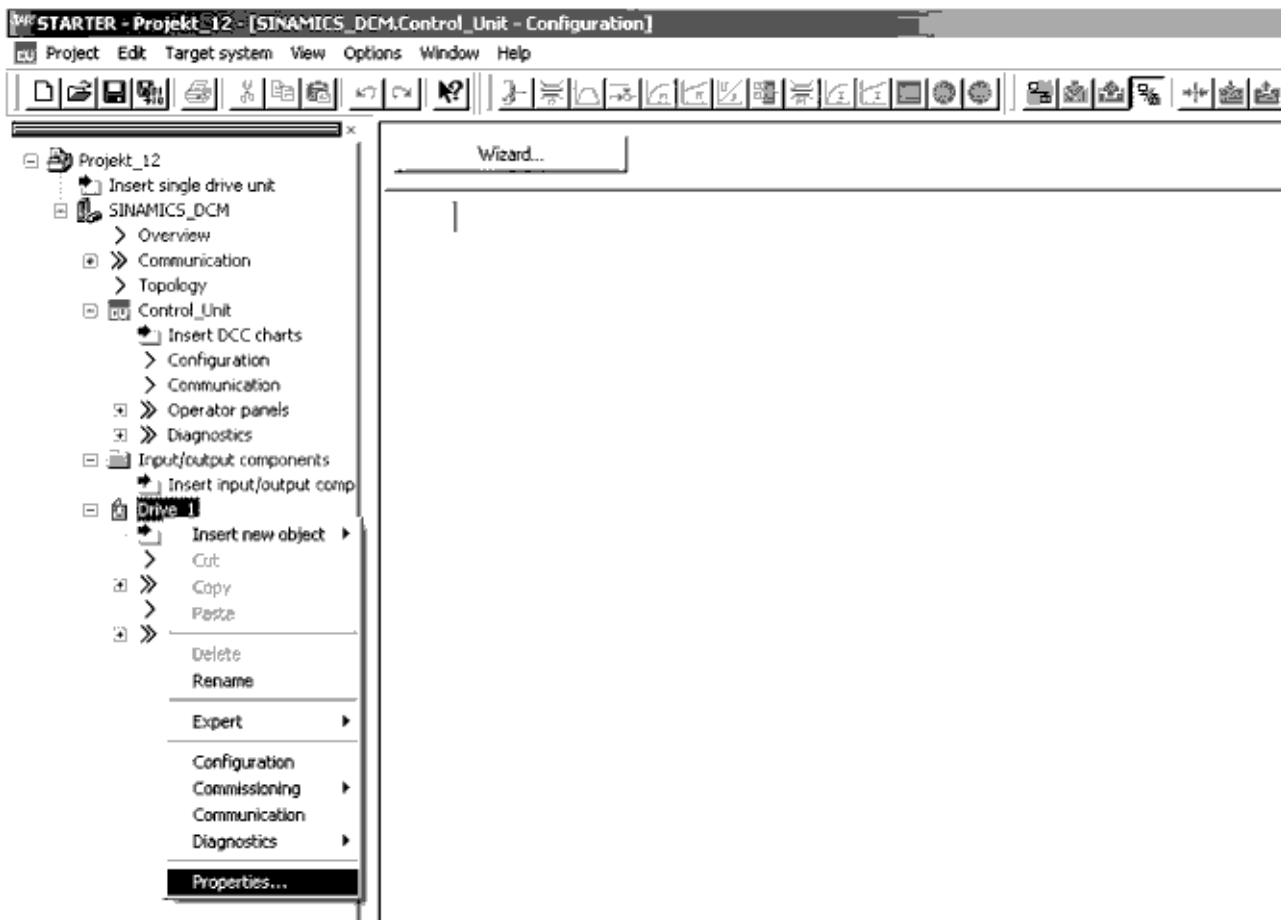


Figure 8-35 Properties

The function modules can be reached in the "Function modules" tab in the opening dialog.

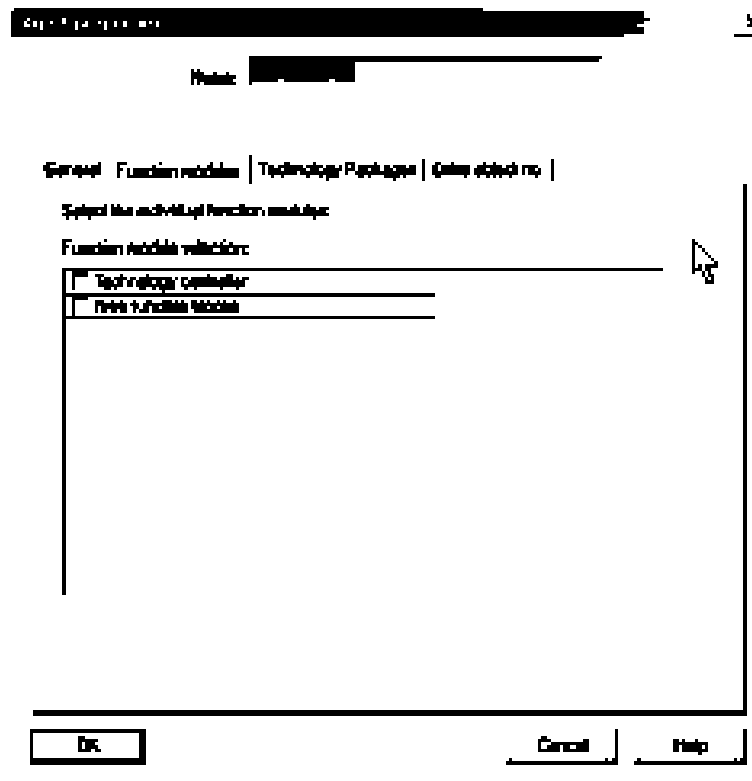


Figure 8-36 Selecting the function modules

Accept the settings by clicking **OK**.

The function modules are also correspondingly set in the drive by connecting online and downloading.

8.5.2 Activating online through parameters

Note

This process is not supported by STARTER because it uses its own mechanisms.

Activation is through p0108. r0108 and is available at each DO as a display parameter for the activated function modules.

The setting is made on p0108[i] in the Control Unit. In this case, the index corresponds to the DO.

Index 0 stands for the CU,

Index 1 for the first DO – the default is the closed loop control DO DC_CTRL,

Index 2 optionally the first TMxx, etc.

8.5 Activating function modules

Sub-function	p0108 bit
Technology controller	16
Free function blocks	18
PROFINET interface	31

The function modules are activated / deactivated by setting the bits to 1 or 0.

On BOP20 or AOP30 parameter assignment is made at DO1 (CU_DC)

- p0009=2
- Correspondingly set or delete p0108[j] bits
- p0009=0

This triggers the software to reboot, therefore activating the function modules that have been set - together with the associated parameters.

Note

Changing the parameters – The quantity structure is copied to the optional AOP30 by "relearning" the existing parameters. This takes a few minutes.

8.6 Commissioning optional additional modules

Additional modules can be integrated through DRIVE-CLiQ (TM15, TM31, TM150, SMC30) or OMI slot (CBE20).

The components must be logged in to the software during a first commissioning.

That can be done:

- Offline by inserting the components into the project in STARTER and loading the project into the drive or
- By adding the components through the parameter assignments on BOP20 / AOP30

8.6.1 Terminal Modules (TM31, TM15, TM150)

8.6.1.1 Commissioning with STARTER

Requirement

The project must be consistent with the drive before adding the TMxx. Load to the PG and then go offline.

An I/O component can only be inserted in the offline state.

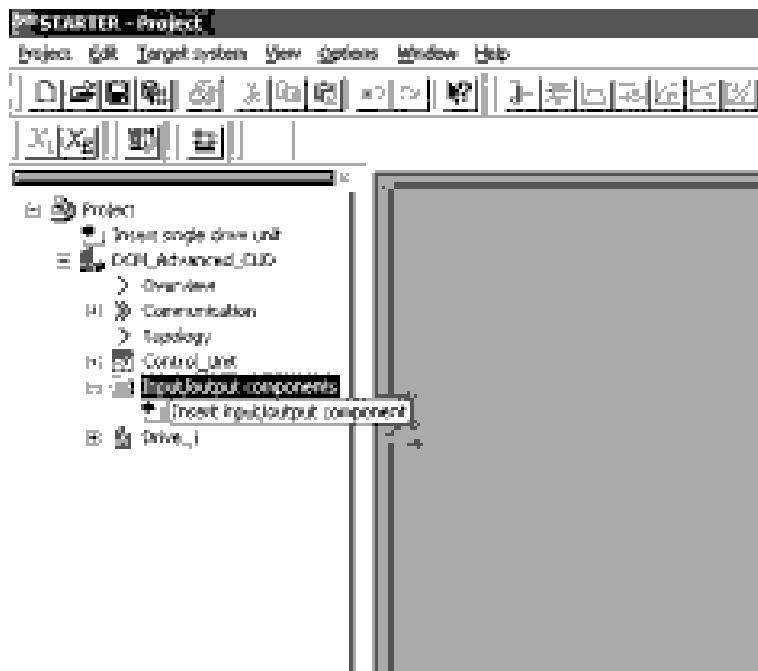


Figure 8-37 Inserting I/O component (1)

- Double-click "Insert input/output component".

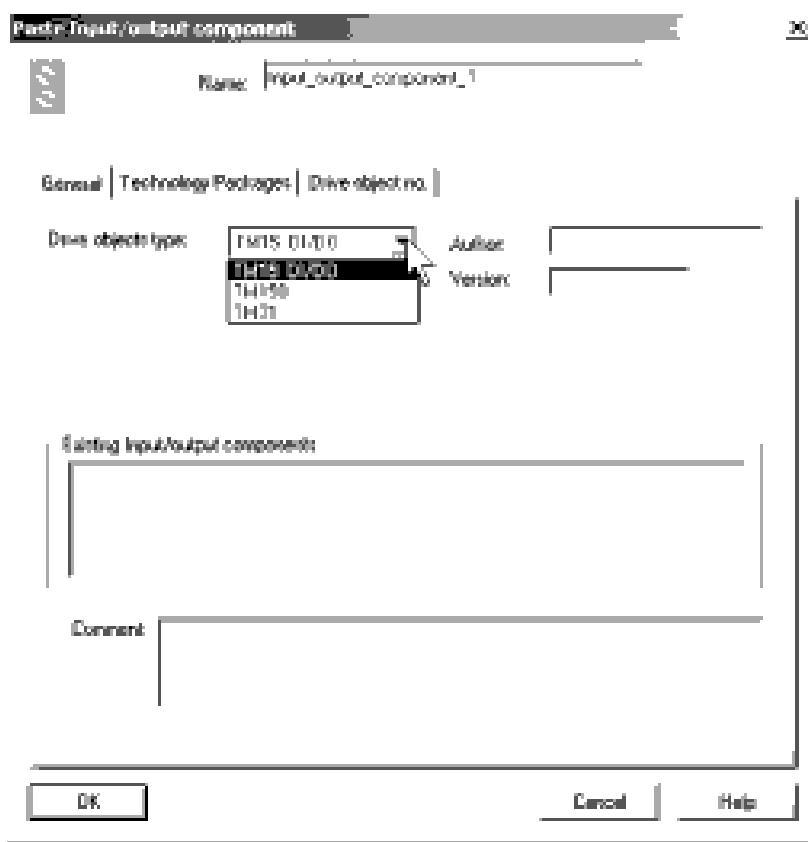


Figure 8-38 Inserting I/O component (2)

- Select the desired type
- Overwrite the text in the "Name:" field with the name selected for the I/O component (e.g. TM31_1).
- In the topology view, check which interface the TMxx is to be connected to and connect it there (0 = X100, 1 = X101)

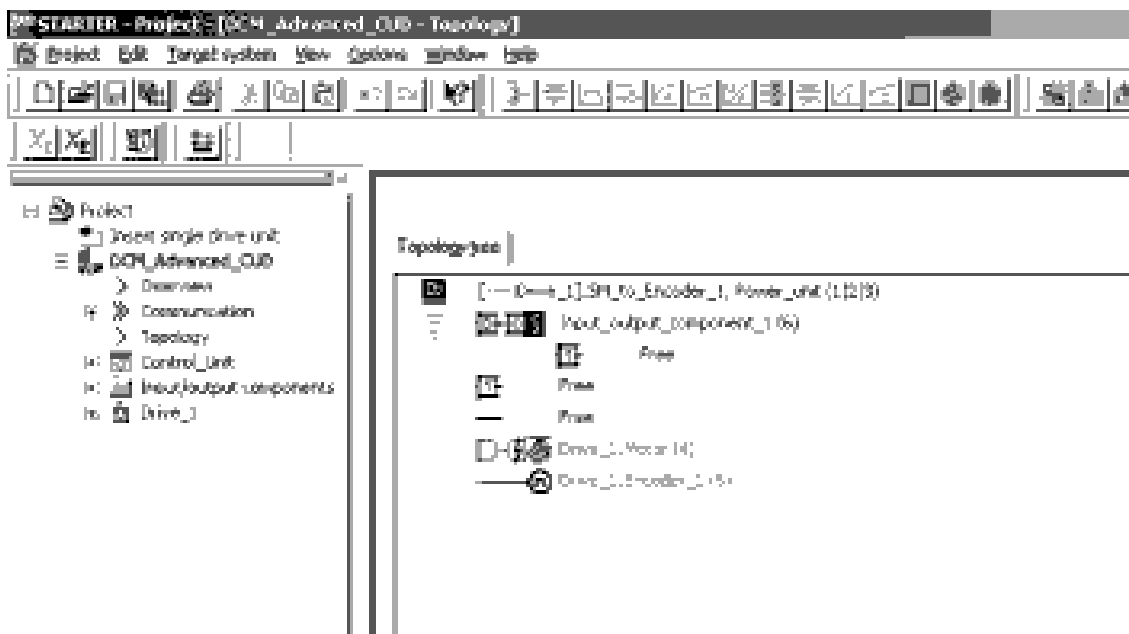


Figure 8-39 Topology

- Re-connect to the target device.
- Load the project into the drive with "Download"
- Persistently save with RAM→ROM.
- The LEDs on the Terminal Module now light up green and the parameters of the additional DOs can be accessed.

8.6.1.2 Commissioning via parameter assignment

With the electronics power supply switched-off, plug in the Terminal Module with Drive-CLiQ at X100 or X101.

Accept the additional components by writing the following parameter to the CU

Note

When powering up on a drive for the first time, the software will, if required, be loaded into the Terminal Module. After successful loading, the LED on the SMC30 flashes red/green and alarm A1007 is output. A POWER OFF/ON is required before the component can be used.

```
p0009=1
p9910=1 (= accept components)
p0009=0
```

The software restarts and accepts the additional components.

If you then go online with an old STARTER project, the different topologies will be displayed offline and online. With "Load to PG" the changed topology can also be accepted by STARTER

8.6.2 Encoder evaluation (SMC30)

With an optional SMC30 encoder evaluation, a second incremental encoder can be evaluated. Subsequently adding or deleting an SMC30 to/from an existing project is only possible with the STARTER commissioning tool.

8.6.2.1 Add/commissioning (with STARTER)

Note: STARTER must be offline.

- Start the drive wizard via Configuration – DDS configuration

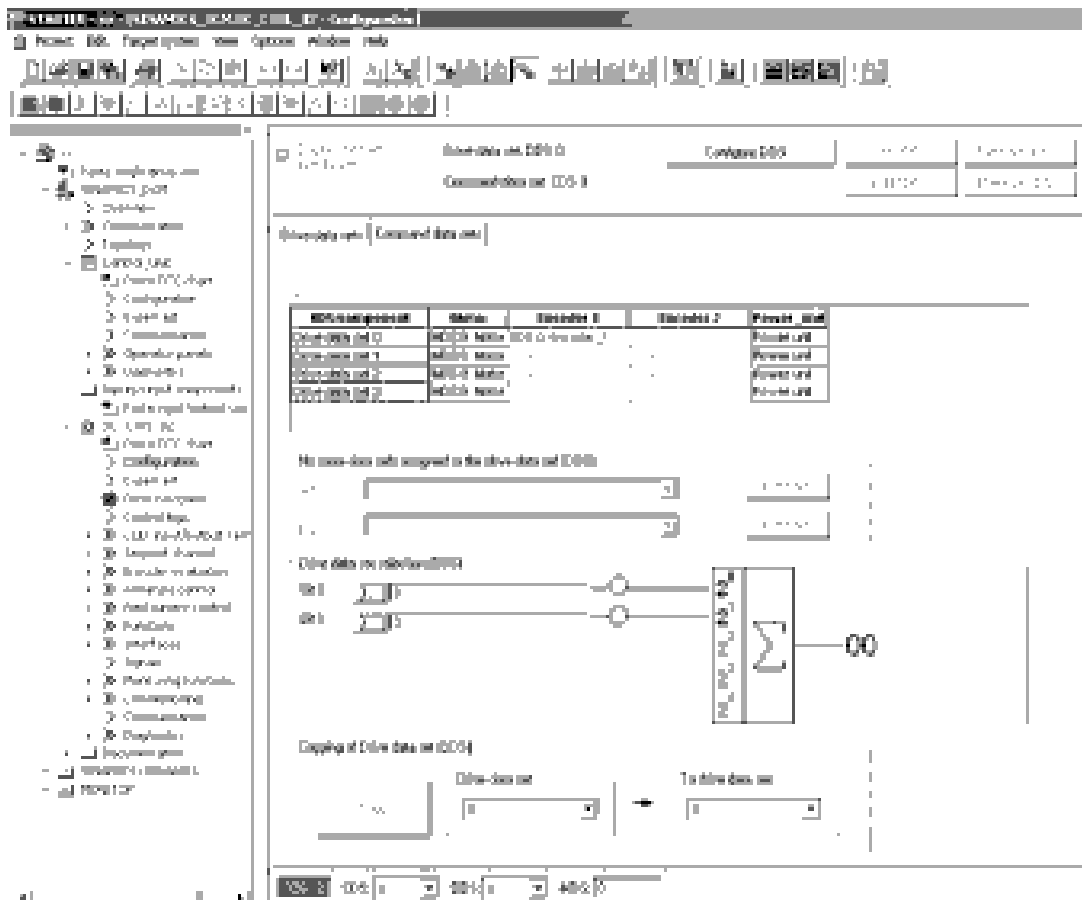


Figure 8-40 Configuring DDS (1)

EDS and DDS can be set and DDS copied in the lower part of the window.

- Continue to the "Encoder" screen and activate the second encoder there

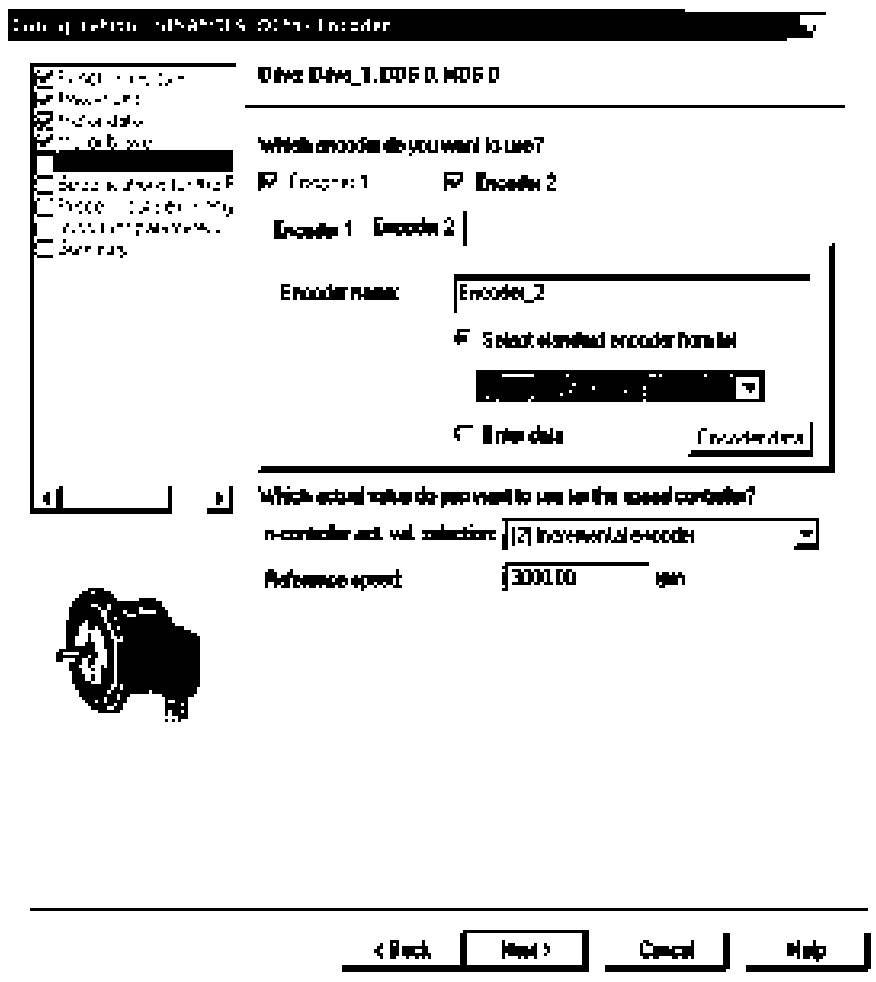


Figure 8-42 Activating the second encoder

- Use the "Encoder data" button to enter the data of this encoder.
- If you also want to use the encoder connected to the SMC30 as the actual value for the speed controller, you have to select as the source for the actual value "5: DRIVE-CLiQ encoder".
- Run through the wizard until the end and load the expanded project into the drive.

8.6.2.2 Remove (with STARTER)

Note: It is only possible to remove the encoder evaluation from the project in the offline mode

- Start the drive wizard via Configuration - configure DDS
- With Continue>, go to the "Encoder" screen form, and there, deselect encoder 2
- Run through the wizard until the end
- Unplug the encoder evaluation SMC30
- Go online
- Load the project to the drive

8.6.3 PROFINET module (CBE20)

8.6.3.1 Adding online into the drive

The CBE20 is automatically detected when plugged into the slot and is integrated into the system.

Before the module can also be addressed in the network, an IP address and device name must be assigned; refer to the Chapter "Function descriptions", Section "PROFINET IO".

Note:

If PROFINET is to be used only as a commissioning interface but process control is through PROFIBUS, after commissioning the CBE20 the process data interface needs to be set back to PROFIBUS (p8839=1).

8.6.3.2 Adding offline in STARTER

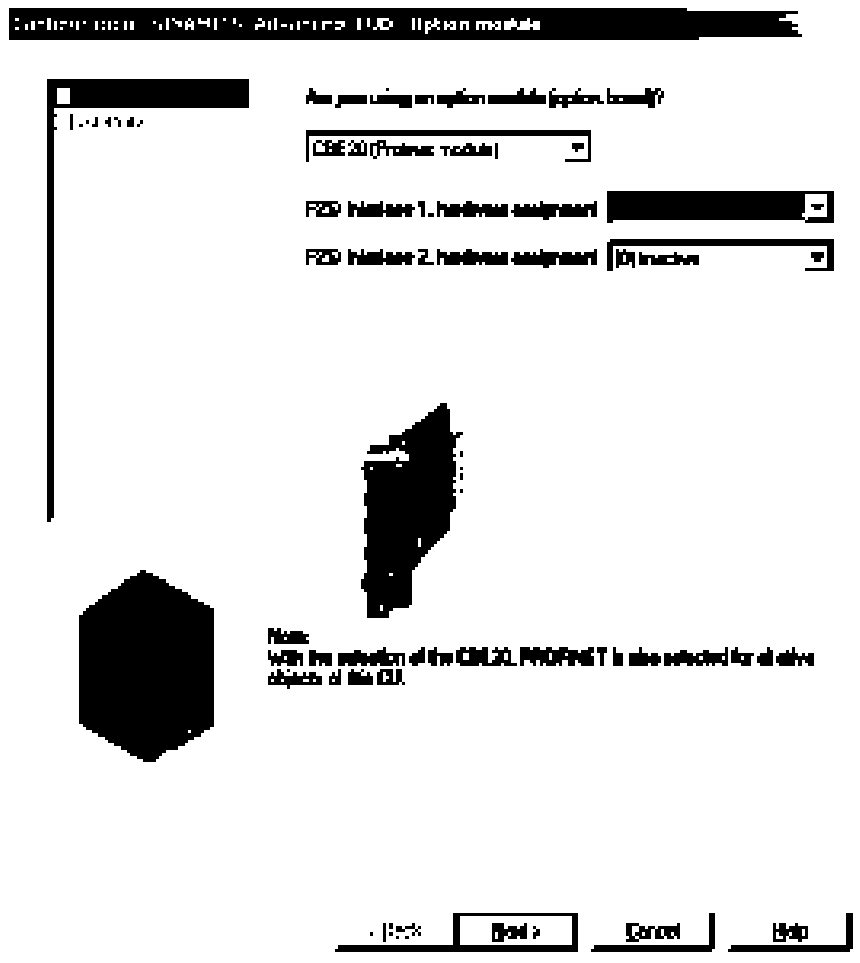


Figure 8-43 Configuration

8.6.3.3 Deleting from the drive online

Deleting a CBE20 without STARTER always leads to the loss of the parameter assignments which are replaced by the factory settings.

p0009=30
 p0976=1
 (re-commissioning)

8.6.3.4 Deleting offline with STARTER

In STARTER, the Control Unit configuration wizard can also be used to subsequently add or remove a CBE20 (see Adding offline in STARTER).

After deleting in the wizard, the project needs to be saved, loaded into the drive and permanently saved with RAM→ROM.

8.7 Drive optimization

Basic information

The individual control loops must be optimized when commissioning a drive.

4 control loops must be set or optimized:

- Field current closed-loop control
- Armature current closed-loop control
- Speed control
- EMF closed-loop control

SINAMICS DCM supports this task in 2 ways.

- **Quick commissioning**
The controller parameters are calculated from the rated data of the motor and the power unit. No measurements are made. Only the parameters for the field current closed-loop control, the armature closed-loop control and the speed closed-loop control are determined. The parameters set during the quick commissioning allow reliable drive operation in the majority of cases.
- **Optimization runs**
The controller parameters are determined from the rated data of the motor and the power unit and by evaluating measurement results. The parameters of all 4 control loops are determined. The parameters set using the optimization runs can be kept in the majority of cases. In exceptional cases, manual post-optimization is necessary (see Chapter "Manual optimization").

Quick commissioning

Procedure

- Start the quick commissioning with $p10 = 1$ (= factory setting)
- Set all of the important parameters (see e.g. commissioning steps in Chapter "Commissioning using the BOP20") operator panel
- Complete the quick commissioning with $p3900 = 3$ (calculations are performed, $p10$ and $p3900$ are reset to 0)

Commissioning using the BOP20 operator panel:

This procedure is explained for the commissioning steps in Chapter "Commissioning using the BOP20" operator panel.

Commissioning using the AOP30 operator panel:

Quick commissioning is completed ($p3900 = 3$) as part of the final confirmation. (see Chapter "Commissioning using the AOP30 operator panel", Section "Complete drive commissioning").

Commissioning using the STARTER commissioning tool:

The completion of quick commissioning (p3900 = 3) is selected as part of "Complete" of the Wizard "Configuring the drive unit". (see Chapter "Commissioning using the STARTER commissioning tool", Section "Configuring the drive unit"). After successfully "Loading the project into the target system" (see Chapter "Commissioning using the STARTER commissioning tool", Section "Start drive project"), quick commissioning is completed in the SINAMICS DCM.

Optimization runs** WARNING**

During optimization runs, the drive initiates movements of the motor shaft that can reach the maximum motor speed.

The EMERGENCY OFF functions must function at the commissioning.
To protect man and machines, the relevant safety regulations must be observed.

Procedure

- <1> The drive must be in operating state o7.0 or o7.1 (enter SHUTDOWN!).
- <2> p50051 = 23 Optimization of the armature current control for induction load
p50051 = 24 Optimization of the field current control
p50051 = 25 Optimization of the armature current control
p50051 = 26 Optimization of the speed control
p50051 = 27 Optimization of the EMF control (incl. field characteristic recording)
p50051 = 28 Recording of the friction characteristic
p50051 = 29 Optimization of the speed control for drives with a mechanical system capable of oscillation
- <3> The SINAMICS DCM Control Module goes into operating state o7.4 for a few seconds, and then goes into o7.0 or o7.1 and waits for SWITCH ON and OPERATION ENABLE to be entered.
Enter the commands SWITCH ON and OPERATION ENABLE!
If the switch-on command is not entered within 30 s, this wait state is exited and fault message F60052 is output.
- <4> Execution of the optimization run starts once operating state <o1.0 (OPERATION) is reached.
- <5> When the optimization run has been completed, the drive goes into operating state o8.0

Note

The optimization runs should be performed in the order specified above.

Details on the individual optimization runs

- p50051 = 24 **Optimization of closed-loop field current control**
(duration of up to 1 min.)
This optimization run may also be executed without a mechanical load connected.
The following parameters are set automatically:
p50112, field resistance (Rf)
p50116, field inductance (Lf)
p50255, P gain of field current controller (Kp)
p50256, integral time of field current controller (Tn)
p51597, field inductance reduction factor
- p50051 = 25 **Optimization of closed-loop armature current control**
(takes about 1 min.)
The current controller optimization run may also be executed without a mechanical load connected; if necessary, the drive should be locked.
The following parameters are set automatically:
p50110, armature resistance (Ra)
p50111, armature inductance (La)
p51591, non-linearity factor of armature inductance (La_fak)
p51592, armature commutation inductance (Lk)
p51594, filter inductance for 12-pulse operation (Ls)
p51595, filter inductance reduction factor (Ls_fak)
p51596, filter resistance in 12-pulse operation (Rs)
p50155, P gain of the armature current controller (Kp)
p50156, integral time of armature current controller (Tn)

NOTICE

Motors with a permanent field, a very high level of retentiveness, or a series field must be locked during this optimization run.

WARNING

The current limits set are not active during the current controller optimization run. 75% of the rated armature current for the motor flows for approximately 0.7 s.

Note

The parameters determined are dependent on the motor temperature. The values set with the motor in the cold state can serve as a good default setting. For drives with a high dynamic performance, the optimization run p50051=25 should be repeated after operating the drive with a load (e.g. with the motor at the operating temperature).

p50051 = 26

Optimization of the speed control

(takes at least 6 s)

The dynamic performance of the speed control loop can be selected using p50236, whereby lower values represent a softer closed-loop control.

Before carrying out the speed controller optimization run, p50236 must be set and influences the setting of p50225, p50226, p50228 and p50540.

Where possible, the final mechanical load should be connected to the motor for the purpose of optimizing the speed controller, as the parameters set depend on the measured moment of inertia.

The following parameters are automatically set:

p50225, P gain of speed controller (Kp)

p50226, integral time of speed controller (Tn)

p50228, speed setpoint smoothing time constant

p50540, speed controller acceleration time

Remark:

The speed controller optimization run only takes into account the filtering of the actual speed controller value that is set at p50200; and if p50083 = 1, also filtering of the main actual value, which is parameterized at p50745.

For p50200 < 20 ms, P50225 (gain) is limited to a value of 30.00. The speed controller optimization run always sets p50228 (speed setpoint filtering) to 0.

**WARNING**

During the speed controller optimization run, the motor is accelerated at a maximum of 45% of its rated armature current. The motor can reach speeds of up to approximately 20% of the maximum speed.

p50051 = 27

Optimization of the EMF control (incl. field characteristic recording)

(duration, approx. 1 min)

This optimization run must be executed whenever field-weakening operation has been selected (p50081 = 1), if closed-loop torque control (p50170 = 1) or torque limiting (p50169 = 1) has been selected, or if a variable field current setpoint has been entered.

This optimization run may also be started without a mechanical load. The following parameters are set automatically:

p50120 to p50139 Field characteristic (magnetization characteristic) of motor

p50275 P gain of EMF controller (Kp)

p50276 Integral time of EMF controller (Tn)

Remark:

In order to determine the magnetization characteristic, during this optimization run the field-current setpoint is reduced to a minimum value of 8% (starting from 100% of the motor's rated excitation current as specified in p50102). Setting p50103 to values < 50% of p50102 for the duration of this optimization run limits the value entered for the field-current setpoint to the minimum value specified in p50103. This may be necessary for uncompensated motors with an extremely high armature response.

The magnetization characteristic approaches 0 along a linear path (starting from the measuring point), with the minimum field-current setpoint.

To execute this optimization run, the minimum excitation current for the motor (p50103) must be set to a lower value than 50% of the motor's rated excitation current (p50102).

 **WARNING**

During this optimization run, the drive accelerates to approx. 80% of the rated motor speed. The maximum armature voltage is 80% of the rated armature voltage of the motor (p50101).

p50051 = 28 **Recording of the friction characteristic**

(duration, approx. 1 min)

The following parameters are set automatically:

p50520 to Friction characteristic
p50530

Remark 1:

The friction characteristic is only active in operation if it is manually activated with p50223=1!

Remark 2:

In order to execute this optimization run, the speed controller must not be parameterized as a pure P controller or as a controller with droop.

 **WARNING**

During this optimization run, the drive accelerates up to its maximum speed.

p50051 = 29 **Optimization of the speed control for drives with a mechanical system capable of oscillation**

(duration up to 10 min)

The following parameters are set automatically:

p50225	P gain of the speed controller (Kp)
p50226	Integral time of the speed controller (Tn)
p50228	Speed setpoint, smoothing time constant
p50540	Speed controller acceleration time

The frequency response of the controlled system for frequencies between 1 and 100 Hz is recorded during this optimization run.

For this purpose, the drive is first accelerated to a basic speed (p50565, factory setting = 20%). A sinusoidal speed setpoint with a low amplitude (p50566, factory setting = 1%) is then switched in. The frequency of this additional setpoint is changed in 1 Hz increments from 1 to 100 Hz. For each frequency, an average is generated over a specific time (p50567, factory setting = 1 s).

The value set at p50567 essentially defines the duration of this optimization run. For a setting of 1 s it takes about 3 to 4 min.

The measured frequency response of the controlled system forms the basis for determining its optimal speed controller setting.

 **WARNING**

This optimization run must not be executed if the motor is connected to a mechanical load that is able to move the motor while it is in a torque-free state (e.g. a suspended load).

Note

For drives with limited travel distance, the optimization run for field weakening (p50051 = 27) should be interrupted by entering the SHUTDOWN command at the earliest after the 1st field-weakening measuring point has been plotted or the friction characteristic has been plotted (p50051 = 28) and at the earliest after determining the measuring point at 10% of the maximum speed - without fault message F60052 being initiated. Once the optimization run in question (p50051 = 27 or p50051 = 28) has been restarted, it will resume at a more advanced point, meaning that it can be completed in several stages even in cases where the travel distance is limited.

In the following cases, each optimization run is completely executed again after a restart:

- If a fault occurs during the optimization run
- If the electronic supply is switched off prior to restarting the optimization run in question
- If a different drive data set from the previous one is selected
- If a different optimization run is started in the meantime

The parameters for the drive data set that has been selected in each case are optimized.

The drive data set selection must remain the same throughout the optimization runs to avoid a fault being output.

8.8 Manual optimization

Manual optimization is best performed using the STARTER commissioning tool.

For this purpose, STARTER provides the functions

- function generator and
- trace.

8.8.1 Optimization of closed-loop armature current control

Determining the armature circuit parameters (3 options)

1. Determining the armature-circuit parameters according to the motor list

Take the armature circuit resistance (p50110) and armature circuit inductance (p50111) from the motor manufacturers data.

Disadvantage: The data is very imprecise and/or the actual values deviate significantly.

Feeder cable resistances are not taken in the armature-circuit resistance. Additional smoothing reactors and feeder cable inductances are not taken into account in the armature-circuit inductance.

2. Roughly estimating the armature-circuit parameters from the rated data for the motor and line supply

$$p50110 = \frac{p50101}{10 \times p50100}$$

p50110 = Armature-circuit resistance [Ω]
 p50101 = Rated motor armature voltage [V]
 p50100 = Rated motor armature current [A]

The basis of this formula is that for the rated armature current, there is a drop of 10% of the rated armature voltage across the armature circuit resistance Ra.

$$p50111 = \frac{1.4 \times r50071}{p50100}$$

p50111 = Armature circuit inductance [mH]
 r50071 = Rated unit supply voltage, armature [V]
 p50100 = Rated motor armature current [A]

This formula is based on the empirical value: The transition point from discontinuous to continuous current is approximately 30% of the rated motor armature current.

3. Determining the armature circuit parameters by measuring the current/voltage

- Establish closed-loop current controlled operation

- p50084=2: Select closed-loop current controlled operation

- p50153=0: Precontrol disabled

- p50082=0: Switch-off the field to prevent motor from moving and, where necessary, lock the rotor of the DC motor if retentiveness is too high.

- p50354=5 %: Threshold for overspeed protection

- Enter 0 for the main setpoint.

- If "OPERATION ENABLE" has been applied and the "SHUTDOWN" command is entered, an armature current of approximately 0% will now flow.

- Calculate the armature circuit resistance p50110 from the armature current and armature voltage

- Gradually increase the main setpoint (shown at r52011) until the actual armature current value (r50019 as a % of the unit's rated armature current) reaches approximately 70% of the motor's rated armature current.

- Calculate the armature circuit resistance:

$$Ra[\Omega] = r50038 / (r50019 \times p50100) = \text{armature voltage [V]} / \text{armature current [A]}$$

- **Calculate the armature circuit inductance p50111 from the armature current at the transition point from discontinuous to continuous current**
 - Make an oscilloscope trace of the armature current.
 - Starting from 0, gradually increase the main setpoint (shown at r52011) until the armature current reaches the transition point from discontinuous to continuous current.
 - Calculate the armature circuit inductance using the following formula:
$$L_a[\text{mH}] = 0.4 \times r50015 / (r50019 \times p50100)$$

= armature voltage [V] / armature current at the transition point from discontinuous to continuous current [A]

Overall optimization of the armature circuit

- **Checking the precontrol characteristic**

Procedure

- Set the function generator to a triangular waveform (0 % to 100 %), period = 10000 ms
- Supply point: p50601[4] (see function diagram 6855)
- Set p50082 = 0 (field off)
- p50153 = 3 (influence of EMF disabled)
- Record signals r52121 (output, precontrol) and r52110 (output, armature current controller)
- The parameters of the precontrol (Ra [p50110], La [p50111] and λ_a [p51591]) are correctly set if the armature current controller output has the lowest possible value (e.g. less than 5 %) over the complete setpoint range.

- **Checking the step response**

Procedure

- Set the function generator to a squarewave, with
step height = e.g. 5 %
offset = various values, e.g. 80 %
period = 1000 ms
pulse width = 500 ms
- Supply point: p50601[4] (see function diagram 6855)
- Set p50082 = 0 (field off)
- Record signals r52118 (Ia-set) and r52117 (Ia-act)
- Change controller parameters Kp (p50155) and Tn (p50156) until the step response provides a satisfactory result.
- In order to eliminate the influence of non-linearity of the armature circuit inductance and gating unit, the armature current controller adaptation can be activated (see function chart 6855).

8.8.2 Optimization of closed-loop field-current control

Determining the field circuit resistance (2 options)

1. **Roughly estimate the field circuit resistance from the rated motor data**
 $p50112 = \text{rated excitation voltage} / \text{rated excitation current of motor}$
2. **Determine the field-circuit resistance by comparing the field current setpoint and actual value**
 - $p50112=0$: Results in a 180° field precontrol output and, therefore, actual field current value of 0
 - $p50082=3$: So that the field remains permanently switched on, even when the line contactor drops out
 - $p50254=0$ and $p50264=0$: Only field precontrol active; field-current controller disabled
 - Set $p50102$ to rated excitation current.
 - Increase $p50112$ until the actual field current ($r50035$ converted to amperes using $r50073[1]$) equals the required setpoint ($p50102$).
 - Set $p50082$ back to the system's operating value.

Overall optimization of closed-loop field-current control

- **Checking the precontrol characteristic**

Procedure

- Set the function generator to a triangular waveform (0 % to 100 %), period = 10000 ms
- Supply point: $p50611[0]$ (see function diagram 6905)
- Set $p50082 = 3$ (field continuously on)
- Record the signals $r52271$ (output, precontrol) and $r52260$ (output, field current controller)
- The parameters of the precontrol (R_f [$p50112$], L_f [$p50116$] and λ_f [$p51597$]) have been correctly set if the output of the field controller has the lowest possible value (e.g. less than 5 %) over the complete setpoint range.

- **Checking the step response**

Procedure

- Set the function generator to a squarewave, with
 step height = e.g. 5 %
 offset = various values, e.g. 80 %
 period = 1000 ms
 pulse width = 500 ms
- Supply point: $p50611[0]$ (see function diagram 6905)
- Set $p50082 = 3$ (field continuously on)
- Record signals $r52268$ (If-set) and $r52265$ (If-act)

- Change controller parameters K_p (p50255) and T_n (p50256) until the step response provides a satisfactory result.
- The field current controller adaptation can be activated (see function chart 6908) to eliminate the influence of non-linearity of the field inductance and gating unit.

8.8.3 Optimizing the speed controller

Basic information

The objective of the closed-loop control is to compensate the system deviation as a result of changes to the setpoint and disturbances.

The evaluation is performed in the time domain:

- The control loop fulfills the requirement for steady-state accuracy, if the system deviation as a result of a setpoint step (reference input) converges towards zero. The rise time t_{an} and settling time t_{aus} specify the speed.
- The overshoot defines the damping. For a step change of the setpoint or disturbance variable, the controlled variable must not excessively overshoot the steady-state final value.

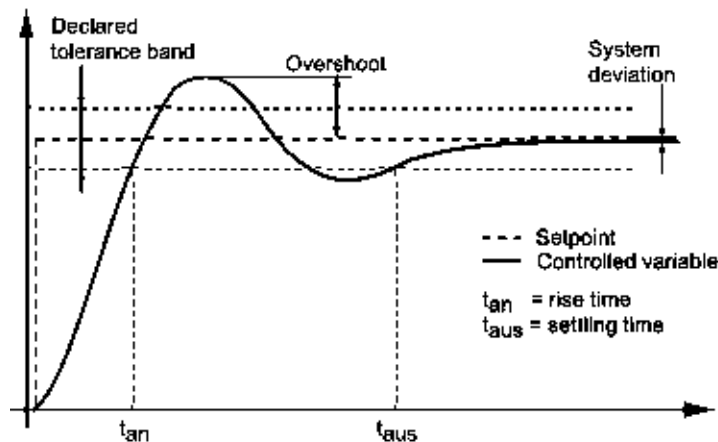


Figure 8-44 Setpoint step to evaluate a controller

Controller optimization

Procedure

- Set the function generator to a triangular waveform with
step height = 5 %
offset = 10 %
period = 1000 ms
pulse width = 500 ms
- Supply point: p50625[C] (see function diagram 6810)
- Record signals r52174 (n-set) and r52167 (n-act)

Assessment

If the step response of the speed controller is recorded after performing the optimization run for the speed controller, then the significant increase of the setpoint step can be clearly seen - which is characteristic for optimization according to the symmetrical optimum.

A controller adjusted according to the symmetrical optimum has a significant overshoot, however, a favorable response to disturbances.

This optimization has especially established itself in drive technology as many systems require a good disturbance variable compensation. This is the reason why the optimization run for the speed controller sets the controller parameters according to the symmetrical optimum.

An improved response to setpoint changes with the response to disturbances remaining the same can be achieved using the reference model. See Chapter "Function descriptions", Section "Speed controller".

Operation

9.1 Basic information

9.1.1 Parameter

Parameter types

The following adjustable and display parameters are available:

- Adjustable parameters (can be written and read)
These parameters have a direct effect on how a function responds.
Example: Ramping time of a ramp-function generator
- Display parameters (can only be read)
These parameters are used to display internal variables.
Example: Actual motor current

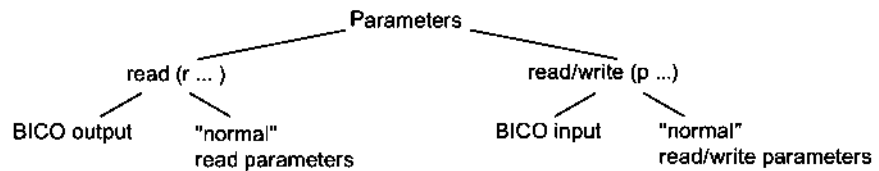


Figure 9-1 Parameter types

All these drive parameters can be read via PROFIBUS and changed by means of p parameters using the mechanisms defined in the PROFIdrive profile.

Parameter categories

The parameters of the individual drive objects are categorized into data sets as follows:

- Data set independent parameters
These parameters exist only once per drive object.
- Data set dependent parameters
These parameters can exist several times for each drive object and can be addressed via the parameter index for reading and writing. A distinction is made between various types of data set:
 - CDS: Command Data Set
By parameterizing several command data sets and switching between them, the drive can be operated with different pre-configured signal sources.
 - DDS: Drive Data Set
The drive data set contains the parameters for switching between different automatic speed control configurations.

The CDS and DDS can be switched over during normal operation. Additional types of data set also exist, but these can only be activated indirectly by means of a DDS changeover.

- EDS - Encoder Data Set

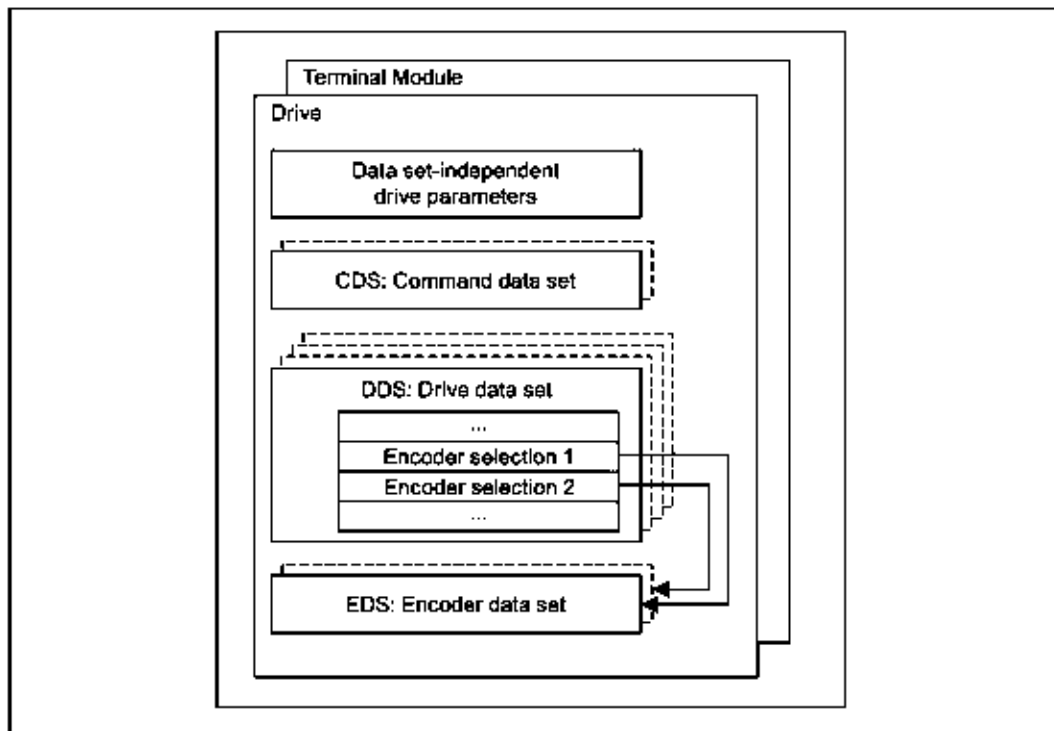


Figure 9-2 Parameter categories

Saving parameters in a non-volatile memory

The modified parameter values are stored in the volatile RAM. When the drive system is switched off, this data is lost.

The data must be saved in the non-volatile memory, as described below, so that the changes are available the next time the drive is switched on.

- Saving parameters with STARTER
See "Copy RAM to ROM" function
- Saving parameters
p0977 = 1; automatically reset to 0

Note

The power supply to the Control Unit may first be switched off only after saving has finished (i.e. after saving has started, wait until the parameter has the value 0 again).

Resetting parameters

The parameters can be reset to the factory setting as follows:

p0009 = 30 Parameter reset
p0976 = 1 Start restoring all parameters to their factory settings

After this has been done, p0976 is automatically set to 0 and p0009 is set to 1.

Deleting all user data

In addition to the actual parameter data set, which saves the parameter assignment of the device in a non-volatile memory (ROM) of the device and which can be deleted using p0976=1 (restore factory settings), the following data also belongs to the non-volatile user data:

- DCC charts
- The DCC block library
- Additional parameter data sets (see p0802, p0803, p0804)

This data is also saved in the non-volatile memory (ROM). All user data is deleted from the ROM as follows:

p0009 = 30 Parameter reset
p0976 = 200 Start to delete all user data

The operation may take several minutes. The device automatically powers up during this time. As a result, the device in STARTER goes offline. Re-connect with the drive. After this has been done, p0976 is automatically set to 0 and p0009 is set to 0.

Note

Data on the memory card is not deleted by setting p0976=200. In spite of this, when deleting all user data, it is not permissible that a memory card is inserted. An inserted memory card would mean that for an automatic power-up after p0976=200, as usual, the data would be read from the memory card (see also Chapter "Memory card functions"). The device would power-up with the parameter assignment from the memory card.

Access level

The parameters are subdivided into access levels. The SINAMICS DCM List Manual specifies the access level at which the parameter can be displayed and modified. The required access levels 0 to 4 can be set in p0003.

Table 9- 1 Access levels

Access level	Comment
0 User-defined	Parameter from the user-defined list (p0013)
1 Standard	Parameters for the simplest possible operations (e.g. p50303 = ramp-function generator ramp-up time)
2 Extended	Parameters for handling the basic functions of the device
3 Expert	Expert knowledge is already required for these parameters (e.g. knowledge of assigning BICO parameters).
4 Service	Please contact your local Siemens office for the password for parameters with access level 4 (Service). It must be entered into p3950.

9.1.2 Data sets

CDS: Command data set

The BICO parameters (binector and connector inputs) are grouped together in a command data set. These parameters are used to interconnect the signal sources of a drive.

By parameterizing several command data sets and switching between them, the drive can be operated with different pre-configured signal sources.

A command data set contains the following (examples):

- Binector inputs for control commands (digital signals)
 - ON/OFF, enable signals (p0844, etc.)
 - Jog (p1055, etc.)
- Connector inputs for setpoints (analog signals)
 - Speed setpoint (p50433)
 - Torque setpoints (p50500, p50501)

A drive object can manage 2 command data sets.

The following parameters are available for selecting command data sets and for displaying the currently selected command data set:

- Binector input p0810 BI: Command data set (CDS) selection
- r0836: Displays selected data set

Example: Switching between command data set 0 and 1

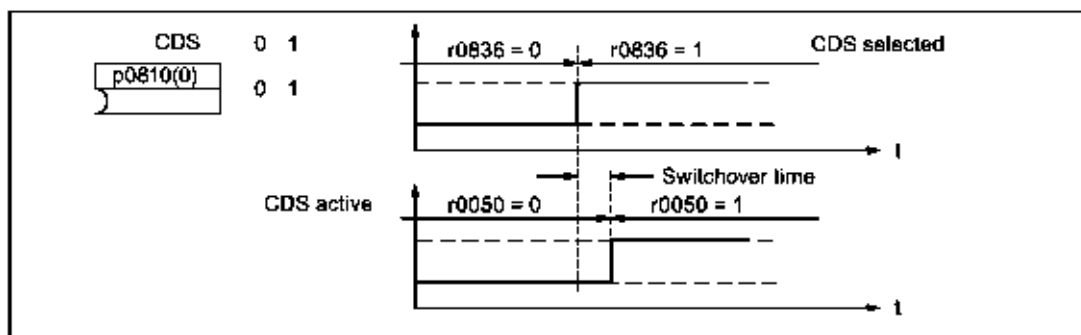


Figure 9-3 Switching the command data set (example)

DDS: Drive data set

A drive data set contains various adjustable parameters that are relevant for open-loop and closed-loop drive control:

- Numbers of the assigned encoder data sets:
 - p0187 and p0188: Up to 2 assigned encoder data sets (EDS)
- Various control parameters, e.g.:
 - Speed limits min./max. (p50512, p50513)
 - Characteristic data of ramp-function generator (p50295 ff)
 - Characteristic data of controller (p50540 ff)
 - ...

The parameters that are grouped together in the drive data set are identified in the SINAMICS DCM List Manual by "DDS" and are provided with index [0...n].

It is possible to parameterize several drive data sets. You can switch easily between different drive configurations (control type, motor, encoder) by selecting the corresponding drive data set.

A drive object can manage 4 drive data sets.

Binector inputs p0820 and p0821 are used to select a drive data set. They represent the number of the drive data set (0 to 3) in binary format (where p0821 is the most significant bit).

- p0820 BI: Drive data set selection DDS, bit 0
- p0821 BI: Drive data set selection DDS, bit 1

EDS: Encoder data set

An encoder data set contains various adjustable parameters for the connected encoder that are relevant for configuring the drive.

- Adjustable parameters, e.g.:
 - Encoder interface component number (p0141)
 - Encoder component number (p0142)
 - Encoder type selection (p0400)

The parameters that are grouped together in the encoder data set are identified in the parameter list by "EDS" and are provided with index [0...n].

A separate encoder data set is required for each encoder controlled by the Control Unit. Up to 2 encoder data sets are assigned to a drive data set via parameters p0187 and p0188.

It is only possible to switch an encoder data set by means of a DDS switchover. When a drive data set is selected, the assigned encoder data sets are selected automatically.

Example of data set assignment

Table 9-2 Example, data set assignment

DDS	Encoder 1 (p0187)	Encoder 2 (p0188)
DDS 0	EDS 0	EDS 1
DDS 1	EDS 0	EDS 0
DDS 2	EDS 0	EDS 0
DDS 3	EDS 1	-

9.1.2.1 Function diagrams and parameters

Function diagrams (see the SINAMICS DCM List Manual)

- 8560 Command data sets (CDS)
- 8565 Drive data sets (DDS)
- 8570 Encoder data sets (EDS)

Overview of important parameters (refer to the SINAMICS DCM List Manual)

Adjustable parameters

- p0140 Encoder data sets (EDS) number
- p0170 Command data sets (CDS) number
- p0180 Drive data sets (DDS) number
- p0187 Encoder 1 encoder data set number
- p0188 Encoder 2 encoder data set number
- p0809 Copy command data set (CDS)
- p0810 BI: Command data set CDS bit 0
- p0819[0...2] Copy drive data set DDS
- p0820 BI: Drive data set selection DDS, bit 0
- p0821 BI: Drive data set selection DDS, bit 1

9.1.2.2 Using data sets

Copying a command data set

Set parameter p0809 as follows:

1. p0809[0] = Number of the command data set to be copied (source)
2. p0809[1] = Number of the command data to which the data is to be copied (target)
3. p0809[2] = 1

Starts copying.

Copying is finished when p0809[2] = 0.

Copying a drive data set

Set parameter p0819 as follows:

1. p0819[0] = Number of the drive data set to be copied (source)
2. p0819[1] = Number of the drive data set to which the data is to be copied (target)
3. p0819[2] = 1

Starts copying.

Copying is finished when p0819[2] = 0.

Uncommissioned data sets

Drive commissioning can be completed even if uncommissioned data sets (EDS, DDS) are available.

Uncommissioned data sets are marked as "uncommissioned".

The attributes are displayed in STARTER or in the expert list or OPs.

Activating these data sets is not permitted and any attempt to do so will be rejected with an error.

Assigning these data sets to a drive data set (DDS) is only possible by means of a commissioning step (p0009 ≠ 0, p0010 ≠ 0).

Note

If there is no DDS dataset with the attribute "commissioned", the drive remains in a controller inhibit state.

9.1.3 Drive objects

A drive object is a self-contained software function with its own parameters and potentially its own faults and alarms. Drive objects can be provided as standard (e.g. automatic speed control), or can be added individually or in groups times (e.g. TM31).

Properties of a drive object:

- Separate parameter space
- Separate window in STARTER
- Separate fault/alarm system
- Separate PROFIdrive telegram for process data

Drive objects in the SINAMICS DC MASTER

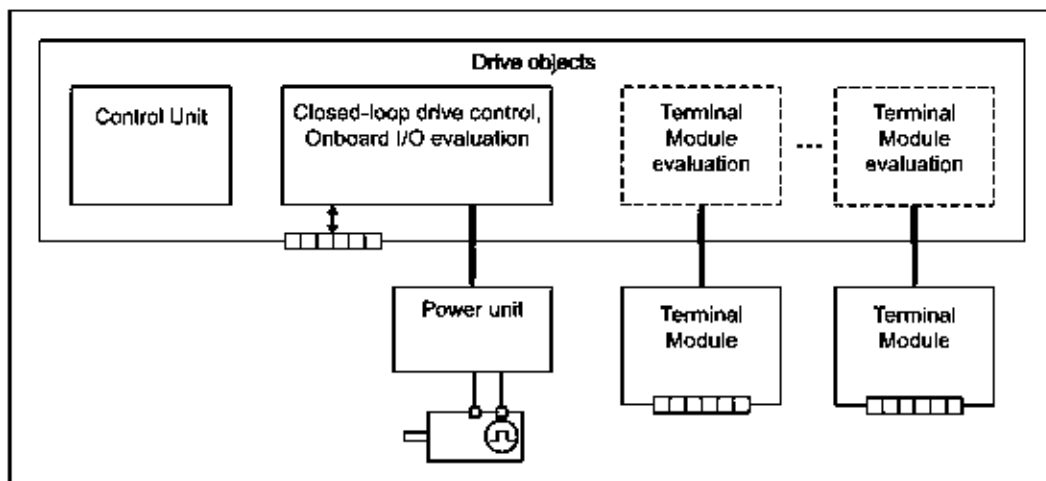


Figure 9-4 Drive objects

- Automatic speed control (DC_CTRL)
Automatic speed control handles closed-loop control of the motor. The I/Os on the CUD are evaluated within this drive object.
- Control Unit (CU_DC)
This drive object contains a variety of different system parameters.
- Evaluation of optional Terminal Module
An independent drive object handles evaluation of each optional Terminal Module.

Configuring drive objects

If, after first commissioning, additional drive objects are configured or deleted, they must be added or deleted in STARTER or activated through parameters (refer to the chapter *Commissioning optional additional modules*).

Note

Each installed drive object is allocated a number between 0 and 63 during first commissioning so that they can be identified internally.

Overview of important parameters (refer to the SINAMICS DCM List Manual)

Adjustable parameters

- p0101 Drive object numbers
- p0107 Drive object type
- p0108 Drive object configuration

Display parameters

- r0102 Number of drive objects

Standard drive objects

- Automatic speed control
- Control Unit

9.1.4 Memory card functions

This chapter describes the basic functions of the memory card in the SINAMICS DCM system.

Basic information

The CUD (Control Unit for the SINAMICS DCM) manages three memory areas:

- A volatile memory, the **RAM**, also called work memory
- A non-volatile memory, the **ROM**, also called **flash memory**
- An optionally available portable memory card

Note

Memory cards can be ordered as an option (S01/S02) or as accessories, see Chapter Ordering information for options and accessories (Page 30).

SINAMICS DCM does not accept other memory cards.

The work memory receives all project information and application programs while the device is being operated. To save the current data from the work memory, you must copy it to non-volatile memory **before** shutting down, see Chapter "Commissioning", "Copy RAM to ROM" function.

An optional memory card is used:

- For saving various parameter data sets
- For transferring the parameter data sets to additional SINAMICS DCM drives
- For series commissioning

The memory card is needed:

- For installing software updates
- For using an AOP30 in languages other than German, English and Chinese
- To use the function "SINAMICS Link" (see Chapter "Communication via SINAMICS Link")
- To load the DCC block library into the drive

Note

The memory card supplied from Siemens as option S01 or S02 includes, when supplied, a dump of the internal device software. These files are required to update the software as well as to use the "SINAMICS Link" function. These files can be deleted for other applications.

Before you use the card for the functions described in this chapter, copy these files to a local folder of your PG/PC and delete the files on the memory card.

Parameter data sets

Parameter data sets represent all of the parameters of a project - including the DCC charts and the project itself. Parameter data sets differ on the basis of drive configuration (power unit, motor, encoder, etc. used) and application (e.g. function modules, type of control).

Different data volumes can be saved in the three memory areas:

- ROM: Four parameter data sets with the indices 0, 10, 11, and 12
- The parameter data set with the index 0 is active in the RAM
- Memory card: Depending on the free storage space, up to 101 parameter data sets (indices 0 to 100)

Note

The DCC library itself is not saved as a part of the parameter data set.

Copying parameter data sets from non-volatile memory to the memory card

There are three ways of copying parameter data sets from non-volatile memory (ROM) to the memory card:

- **The system is powered down**
 - Insert the memory card that does **not** contain a parameter data set with index 0 into the CUD.
 - Switch on the system
 - The system is put into operation by the software in the "ROM"
 - Then the complete updated parameter data set with the index 0 is automatically copied from the "ROM" to the memory card **without a prompt appearing**.
- **The system is switched on**
 - Insert a memory card into the CUD
 - Execute the command "RAM to ROM" (p0977 = 1). The updated parameter data set is copied automatically, first to the "ROM" and then as a data set to the memory card with index 0. If the memory card already contains a parameter data set with the index 0, this will be overwritten without a prompt appearing.

- **The system is switched on**

- By the user, utilizing the parameter data transfer from ROM to the memory card:
p0804 = 2, p0802 = (0...100) as target on the memory card and p0803 = (0/10/11/12)
as source from the ROM.

Note

If when switching on, a memory card with a parameter data set with index 0 is inserted in the CUD, the parameter data set with index 0 in the non-volatile memory of the CUD is overwritten with the parameter data set with index 0 on the memory card.

Note

When a memory card is inserted, the RAM to ROM command (p0977 = 1) will copy the parameter data set with the index 0 from the ROM to the memory card. A parameter data set that might have been previously saved on the memory card is overwritten.

Note

While saving (BOP20 flashes, RDY LED flashes), the electronic power supply must NOT be switched off. Switching off while saving leads to the loss of the most recently performed and not yet saved device parameterization.

Note

When options are being used (DCC, SMC30, TM15, TM31, TM150, etc.) and with certain device configurations, the duration of the power-up can take several minutes.

Copying parameter data sets from the memory card to non-volatile memory

There are two ways of copying parameter data sets from the memory card to non-volatile memory:

- **The system is powered down**

- Insert a memory card containing a parameter data set with the index 0 into the CUD.
- Switch on the system. The new parameter data set will be copied to the ROM automatically. The parameter data set with the index 0 which was previously in the ROM will be overwritten.
- The system will then boot with the new parameter data set.

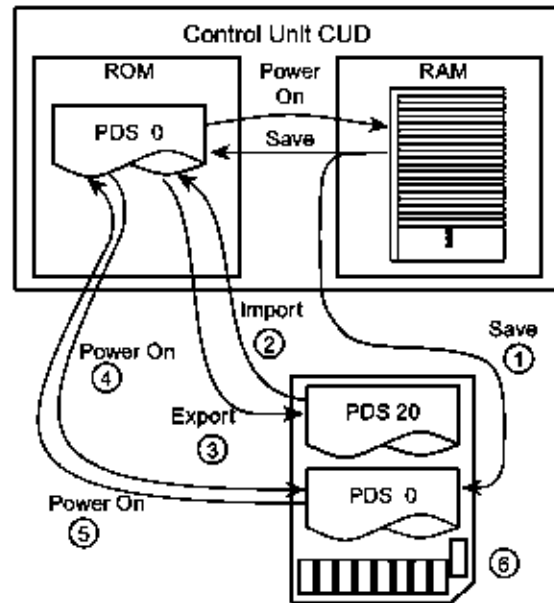
- **The system is switched on**

The user starts data transmission from the memory card to the ROM with parameters p0802, p0803 and p0804:

- p0804 = 1
- p0802 = (0...100) as source from the memory card and p0803 = (0/10/11/12) as target to the ROM.

Note

The parameter data set in the ROM is overwritten during system start-up. If a memory card with a parameter data set is inserted when the system is switched on, the parameter data set with the index 0 in the ROM will be overwritten by the new one with the index 0 on the memory card.



- ① Memory card available: PDS 0 is copied to the card in parallel
- ② p802=20; p803=0; p804=1
- ③ p802=20; p803=0; p804=2
- ④ For POWER ON, no PDS 0 on the card: PDS 0 is copied from the ROM to the memory card
- ⑤ At POWER ON, PDS 0 on the card: PDS 0 is copied to the ROM
- ⑥ Memory card

PDS = parameter data set

Figure 9-5 Copying parameter data sets

Using the memory card for series commissioning

The memory card can also be used for series commissioning of several devices with the same parameter assignment.

Procedure:

- Completely commission a "sample" drive. As soon as all of the parameters have been correctly set, carry out "RAM to ROM".
- Switch-off the system and insert a memory card into the CUD. Switch on the system.
- The parameter assignment is saved on the memory card. If DCC charts are activated in the system, then these as well as the DCC library are also saved on the memory card.
- Remove the card.
- Insert the card into a CUD that is switched-off and has still not been parameterized. Switch on the system (POWER ON).
- When powering up, the parameter assignment is transferred into the CUD and copied into the ROM as well as into the RAM. If DCC charts and the DCC library were saved on the memory card, then these are also copied.
- The card can be removed once the system has powered-up. The CUD that was still not parameterized now has the same parameter assignment as the original "sample" drive.

Note

The MLFB of the device from which the parameter data set originated is also saved in a parameter data set. If the parameter data set is loaded into a device with another MLFB (POWER ON with the memory card inserted), then the device signals an inconsistent topology (power-up stops with display "33" on the BOP, fault A1420 is output). This occurs, if e.g. a parameter set that was generated from a 30 A device is loaded into a 60 A device. In this state, the user can accept the parameter set by setting p9906 to 3. The system continues to power up.

The same procedure also applies if a parameter data set from a standard CUD is loaded into an Advanced-CUD - or vice versa. The power-up procedure stops with display "33" on the BOP; the parameter set is accepted using p9906=3 and the system continues to power up.

Important parameters

- p0977: Save all parameters (for more information, see the SINAMICS DCM List Manual).
- p0802: Data transfer of parameters [0,10,11,12], memory card as source or target
- p0803: Data transfer of parameters [0...100], non-volatile device memory as source or target
- p0804: Start of parameter data transfer and specification of transfer direction:
 - p0804=1: Transfer from the memory card to non-volatile device memory
 - p0804=2: Transfer from non-volatile device memory to memory card

Safely removing a memory card

Removing the memory card must be requested using p9400.

Procedure:

p9400 = 2 Request to "safely remove" the memory card
p9400 = 3 Feedback: "You can safely remove the memory card"
 Remove the memory card
p9400 = 100 Feedback: "It is not possible to safely remove the memory card"
 SINAMICS DCM is accessing the memory card. Leave the memory card in the
 unit and try again later.
p9400 = 0 Message: No memory card inserted

Note

If the memory card is removed without a request being made, this can destroy the file system on the memory card.

9.1.5 BICO technology: Interconnecting signals

Every drive contains a large number of interconnectable input and output variables and internal control variables.

The drive unit can be adapted to a wide range of requirements using BICO technology (Binector Connector Technology).

Digital and analog signals, which can be interconnected as required by means of BICO parameters, are identified by the prefix BI, BO, CI, or CO in their parameter name.

These parameters are identified accordingly in the parameter list or in the function diagrams.

Note

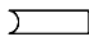
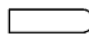
The STARTER commissioning tool is recommended when using BICO technology.

9.1.5.1 Binectors, connectors

Binectors, BI: Binector input, BO: Binector output

A binector is a digital (binary) signal without a unit which can assume the value 0 or 1. Binectors are subdivided into binector inputs (signal sink) and binector outputs (signal source).


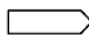
Table 9- 3 Binectors

Abbreviation	Symbol	Name	Description
BI		Binector input (signal sink)	Can be interconnected to a binector output as source. The number of the binector output must be entered as a parameter value.
BO		Binector output (signal source)	Can be used as a source for a binector input.

Connectors, CI: Connector input, CO: Connector output

A connector is a digital signal, e.g. in 32-bit format. It can be used to emulate words (16 bits), double words (32 bits) or analog signals. Connectors are subdivided into connector inputs (signal sink) and connector outputs (signal source).

Table 9- 4 Connectors

Abbreviation	Symbol	Name	Description
CI		Connector input (signal sink)	Can be interconnected to a connector output as source. The number of the connector output must be entered as a parameter value.
CO		Connector output (signal source)	Can be used as a source for a connector input.

9.1.5.2 Interconnecting signals using BICO technology

To interconnect two signals, a BICO input parameter (signal sink) must be assigned to the desired BICO output parameter (signal source).

The following information is required in order to interconnect a binector/connector input with a binector/connector output:

- Binectors: Parameter number, bit number, and drive object ID
- Connectors with no index: Parameter number and drive object ID

- Connectors with index: Parameter number, index, and drive object ID
- Data type (signal source for connector output parameter)

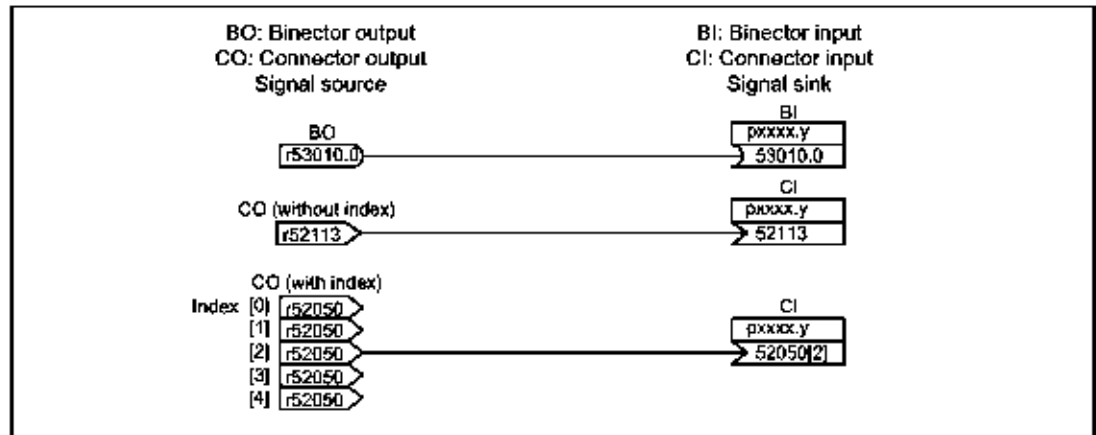


Figure 9-6 Interconnecting signals using BICO technology

Note

A connector input (CI) cannot be interconnected with all connector outputs (CO, signal source). The same applies to the binector input (BI) and binector output (BO).

For each CI and BI parameter, the parameter list shows the information on the data type of the parameter and the data type of the BICO parameter under "data type".

For CO parameters and BO parameters, only the data type of the BICO parameter is shown.

Notation:

Data types BICO input: Data type parameter/Data type BICO parameter

Example: Unsigned32/Integer16

Data types BICO output: Data type BICO parameter

Example: FloatingPoint32

The possible interconnections between the BICO input (signal sink) and BICO output (signal source) are listed in the table titled "Possible combinations for BICO interconnections", which can be found in the "Explanations on the parameter list" section of the SINAMICS DCM List Manual.

The BICO parameter interconnections can be implemented in different command data sets (CDS). The different interconnections are activated by switching data sets. Drive object interconnections are also possible.

9.1.5.3 Internal encoding of the binector/connector output parameters

Internal encoding is required for writing BICO input parameters via PROFIBUS, for example.

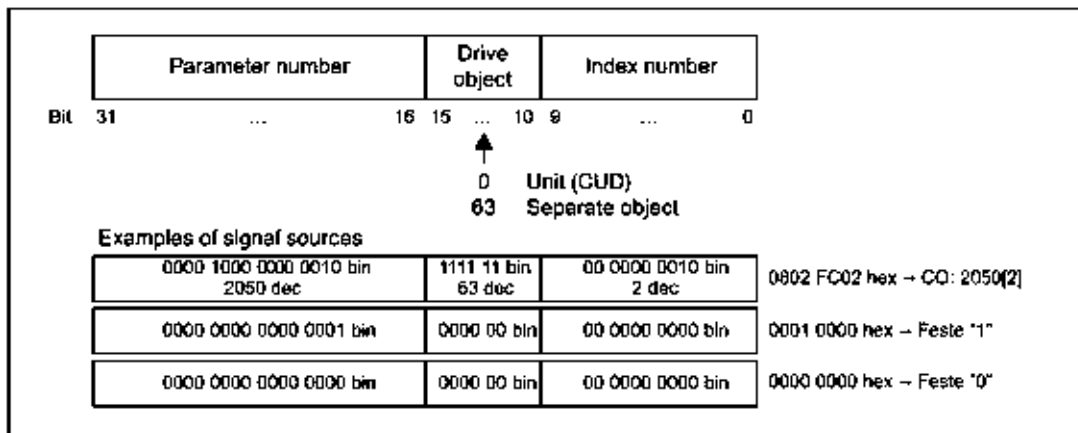


Figure 9-7 Internal encoding of the binector/connector output parameters

9.1.5.4 Example: Interconnecting digital signals

Suppose you want to operate a drive via terminals DI 0 and DI 3 on the CUD using jog 1 and jog 2.

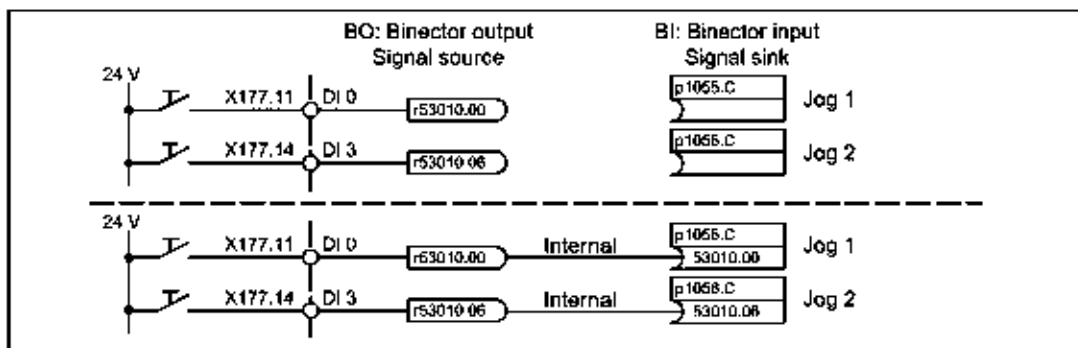


Figure 9-8 Interconnecting digital signals (example)

9.1.5.5 Information on BICO technology

Binector-connector converters and connector-binector converters

Binector-connector converters

- Several digital signals are converted to a 32-bit integer double word or to a 16-bit integer word.
- p2080[0...15] BI: PROFIdrive PZD send bit-by-bit

Connector-binector converters

- A 32-bit integer double word or a 16-bit integer word is converted to individual digital signals.
- p2099[0...1] CI: PROFIdrive PZD selection receive bit-by-bit

Fixed values for interconnection using BICO technology

The following connector outputs are available for interconnecting any fixed value settings:

- p2900[0...n] CO: Fixed value_%_1
- p2901[0...n] CO: Fixed value_%_2
- p2930[0...n] CO: Fixed value_M_1

Example:

These parameters can be used to interconnect the scaling factor for the main setpoint or to interconnect an additional torque.

9.2 Parameterizing using the BOP20 (Basic Operator Panel 20)

9.2.1 General information about the BOP20

The BOP20 can be used to power drives up and down during the commissioning phase as well as display and modify parameters. Faults can be diagnosed as well as acknowledged.

Overview of displays and keys

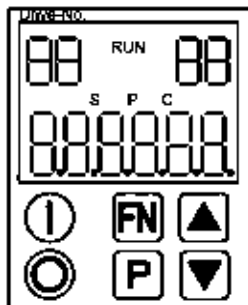


Figure 9-9 Overview of displays and keys

Information on the displays







Table 9- 5 Displays

Display	Meaning
Top left 2 digits	The active drive object of the BOP is displayed here. The displays and key operations always refer to this drive object.
RUN	Lights up if at least one drive in the drive line-up is in the RUN state (in operation). RUN is also displayed via bit r0899.2 of the drive.
Top right 2 digits	The following is displayed in this field: <ul style="list-style-type: none"> • More than 6 digits: Characters that are present but cannot be seen (e.g. "r2" → 2 characters to the right are invisible, "L1" → 1 character to the left is invisible) • Faults: Selects/displays other drives with faults • Designation of BICO inputs (bi, ci) • Designation of BICO outputs (bo, co) • Source object of a BICO interconnection with a drive object different than the active one
S	Lights up if at least one parameter was changed and the value has not yet been transferred to the non-volatile memory.
P	Lights up if, for a parameter, the value only takes effect after the P key is pressed
C	Lights up if at least one parameter was changed and the calculation for consistent data management has still not been initiated.
Bottom 6 digits	Displays. parameters, indices, faults, and alarms, for example

For certain user actions (e.g. restore factory setting) a two-digit number is displayed on the BOP20. This number provides information about the drive state. The significance of these numbers is provided in Appendix B.

Information on the keys

Table 9- 6 Keys

Key	Name	Meaning
	ON	Power up the drives for which the "ON/OFF1" command should come from the BOP. Binector output r0019.0 is set using this key.
	OFF	Power down the drives for which the "ON/OFF1", "OFF2", or "OFF3" commands should come from the BOP. Binector outputs r0019.0, .1 and .2 are simultaneously reset when this key is pressed. After the key has been released, binector outputs r0019.1 and .2 are again set to a "1" signal. Note: Whether these keys are active can be defined by assigning appropriate BICO parameters (e.g. it is possible to use these keys to control all of the existing drives at the same time).
	Functions	The meaning of these keys depends on the current display. Note: The effectiveness of this key to acknowledge faults can be defined via BICO parameterization.
	Parameters	The meaning of these keys depends on the current display. If this key is pressed for 3 s, the "Copy RAM to ROM" function is executed. The "S" displayed on the BOP disappears.
	Increase	The keys depend on the current display and are used to either increase or decrease values.
	Decrease	

BOP20 functions

Table 9- 7 Functions

Name	Description
Backlighting	The backlighting can be set using p0007 in such a way that it switches itself off automatically after the set time if no actions are carried out.
Switch active drive	From the BOP perspective, the active drive is defined using p0008 or using the keys "FN" and "Arrow up".
Units	The units are not displayed on the BOP.
Access level	The access level for the BOP is defined using p0003. The higher the access level, the more parameters can be selected using the BOP.
Parameter filter	Using the parameter filter in p0004, the available parameters can be filtered according to their particular function.
Select status display	Actual values and setpoints are displayed on the status display. The status display can be set via p0006.
User parameter list	Parameters can be selected for access using the user parameter list in p0013.

Name	Description
Hot swapping	The BOP can be unplugged and plugged while energized. <ul style="list-style-type: none"> • The ON and OFF keys have a function. When unplugging, the drives are stopped. After plugging, the drives must be switched on again. • The ON and OFF keys have no function Unplugging and plugging has no effect on the drives.
Key operation	The following applies to the "P" and "FN" keys: <ul style="list-style-type: none"> • When used in a combination with another key, "P" or "FN" must be pressed before the other key.

Overview of important parameters (refer to the SINAMICS DCM List Manual)

All drive objects

- p0005 BOP status display selection
- p0006 BOP status display mode
- p0013 BOP user-defined list
- p0971 Drive object, save parameters

Drive object, Control Unit (CU_DC)

- r0002 Control Unit status display
- p0003 BOP access level
- p0004 BOP display filter
- p0007 BOP backlighting
- p0008 BOP drive object selection
- p0009 Device commissioning, parameter filter
- p0011 BOP password input (p0013)
- p0012 BOP password confirmation (p0013)
- r0019 CO/BO: Control word, BOP
- p0977 Save all parameters

Note

During a data save operation initiated by the user, the electronic power supply for the SINAMICS DC MASTER must not be interrupted.

An active saving process is indicated by the following actions:

- The RDY LED flashes (see the "Description of functions" chapter, "Description of the LEDs on the CUD" section)
- The BOP20 flashes

Interrupting the electronic power supply while saving can lead to the loss of the actual device parameter assignment. Also refer to Chapter "Operation", Section "Memory card functions".

Drive object (DC_CTRL)

- p0010 Commissioning, parameter filter

9.2.2 Displays and using the BOP20**Characteristics**

- Status display
- Changing the active drive object
- Displaying/changing parameters
- Displaying/acknowledging faults and alarms
- Controlling the drive using the BOP20

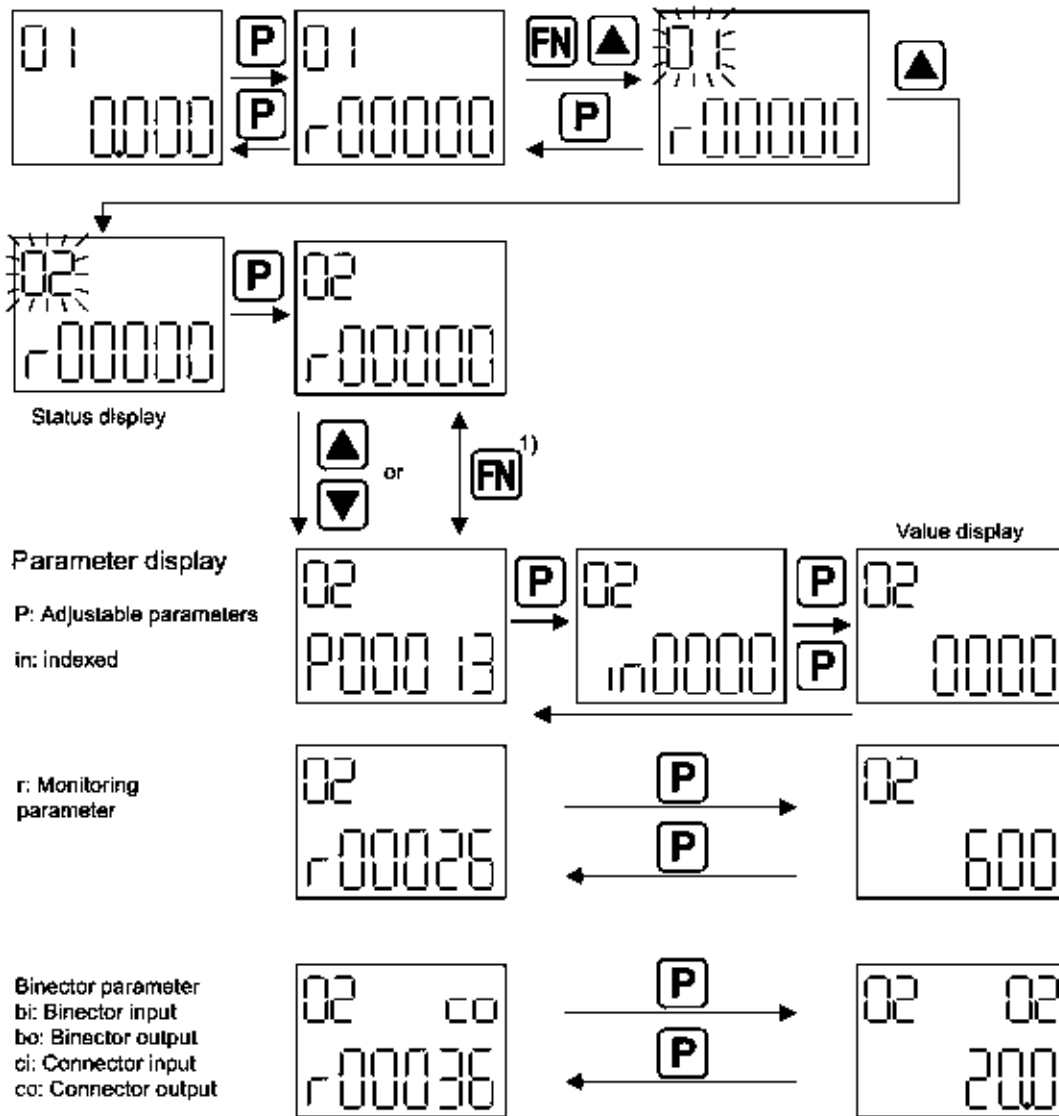
Status display

The operating display for each drive object can be set using p0005 and p0006. Using the operating display, you can change into the parameter display or to another drive object. The following functions are possible:

- Changing the active drive object
 - Press the "FN" and "Arrow up" keys -> the drive object number at the top left flashes
 - Select the required drive object using the arrow keys
 - Confirm with the "P" key
- Parameter display
 - Press the "P" key
 - The required parameter can be selected using the arrow keys
 - Press the "FN" key -> "r00000" is displayed
 - Press the "P" key -> returns to the status display

Parameter display

The parameters are selected in the BOP20 by their number. The parameter display is reached from the operating display by pressing the "P" key. Parameters can be searched for using the arrow keys. The parameter value is displayed by pressing the "P" key again. You can toggle between the drive objects by simultaneously pressing the "FN" key and an arrow key. You can toggle between "r00000" and the parameter that was last displayed by pressing the "FN" key in the parameter display.



1) You can switch between "r00000" and the parameter that was last displayed by pressing the FN key in the parameter display.

Figure 9-10 Parameter display

Value display

To switch from the parameter display to the value display, press the "P" key. In the value display, the values of the adjustable parameters can be increased and decreased using the arrow. The cursor can be selected using the "FN" key.

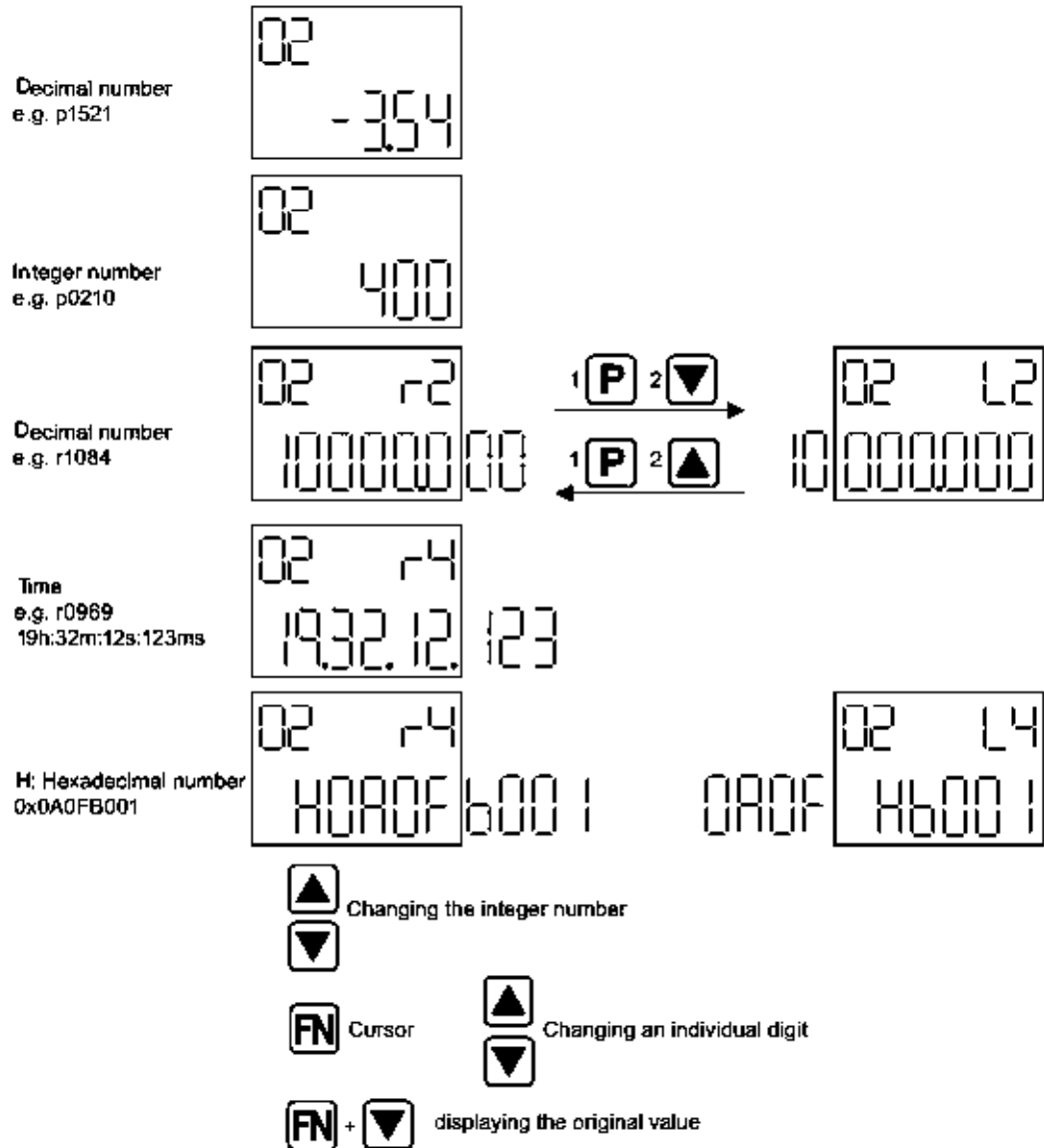


Figure 9-11 Value display

Example: Changing a parameter

Requirement: The appropriate access level is set
(for this particular example, p0003 = 3).

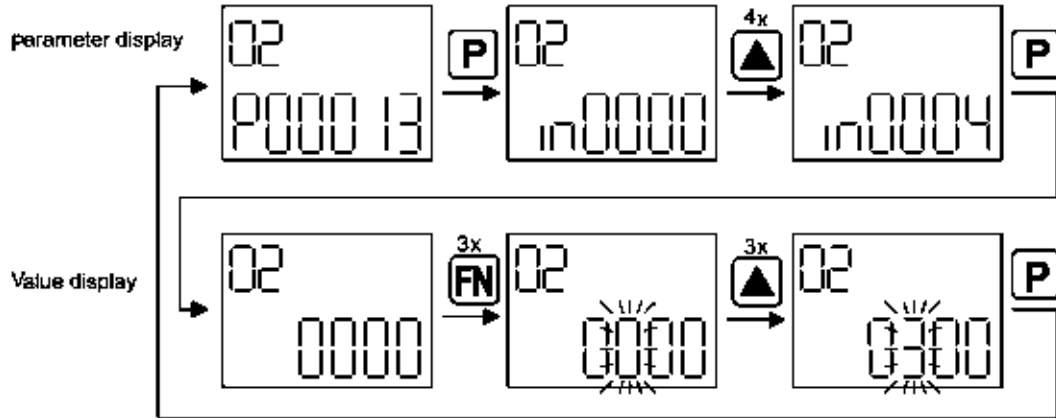


Figure 9-12 Example: Changing p0013[4] from 0 to 300

Example: Changing binector and connector input parameters

For the binector input p0840[0] (OFF1) of drive object 2 binector output r0019.0 of the Control Unit (drive object 1) is interconnected.

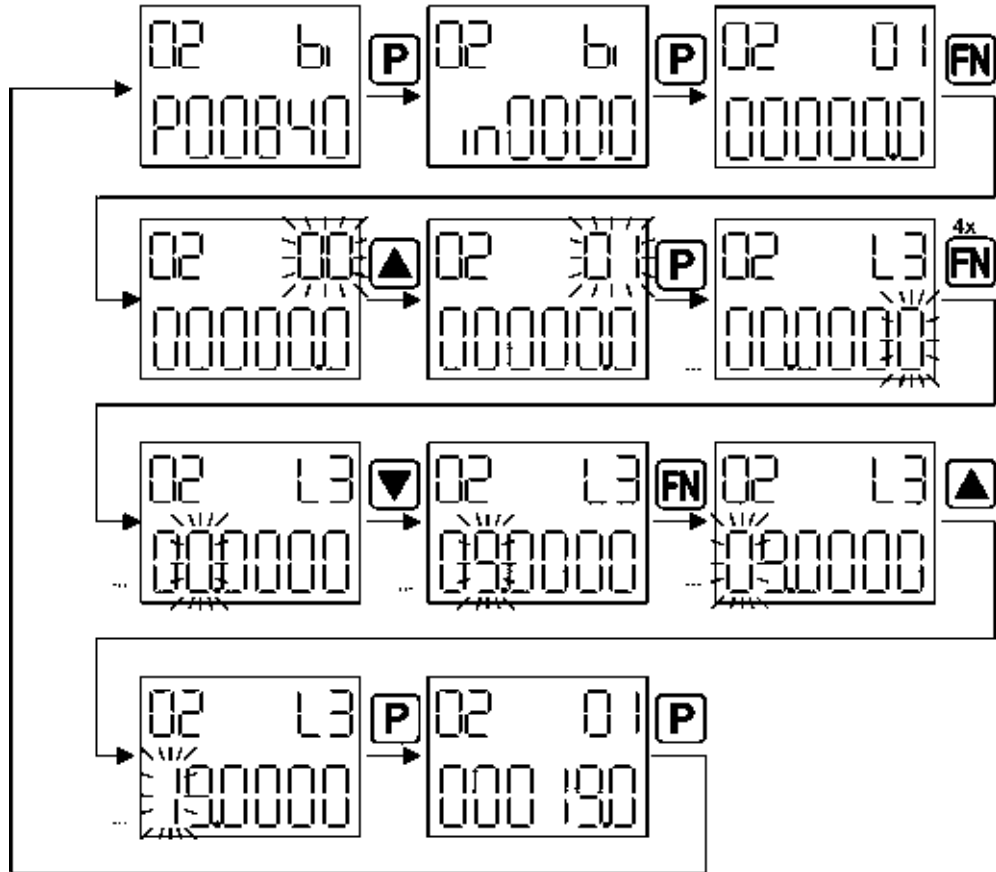


Figure 9-13 Example: Changing indexed binector parameters

9.2.3 Displaying faults and alarms

Displaying faults

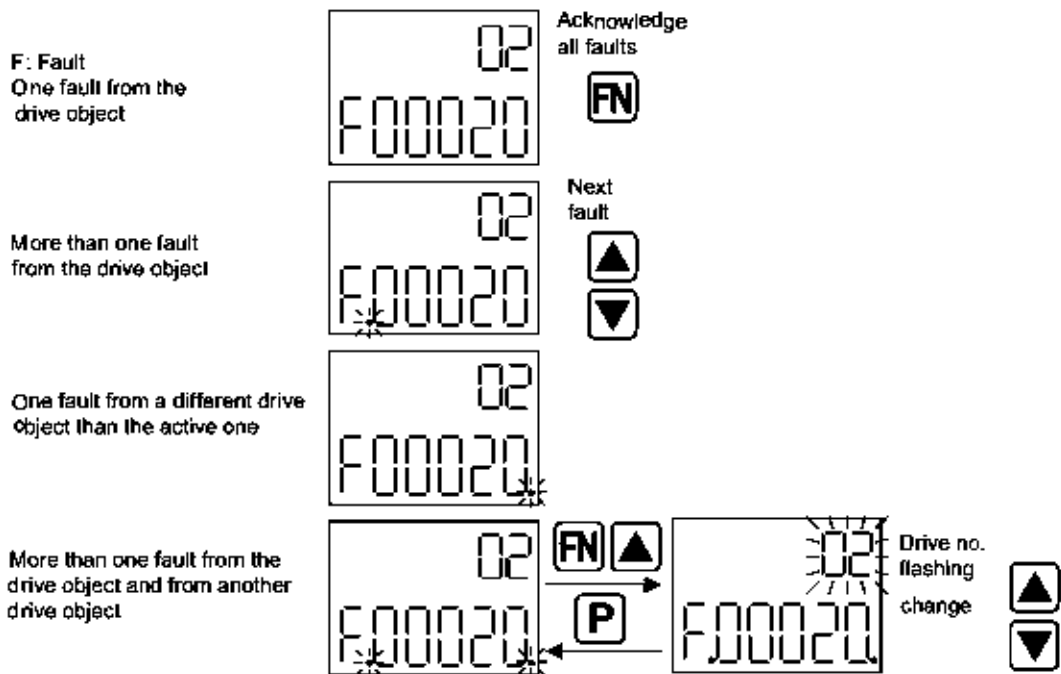


Figure 9-14 Faults

Displaying alarms

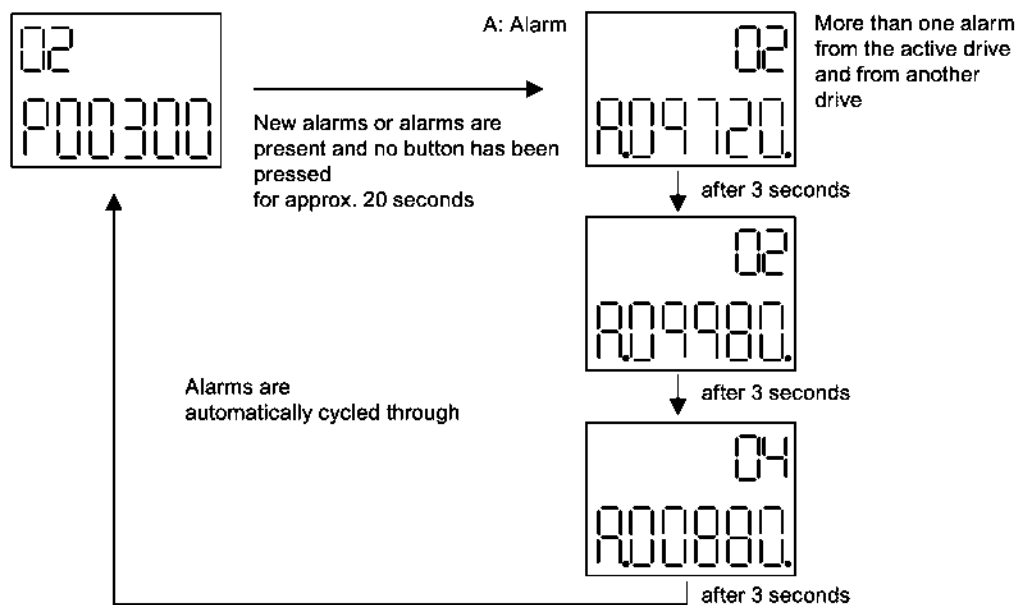


Figure 9-15 Alarms

9.2.4 Controlling the drive using the BOP20

When commissioning the drive, it can be controlled via the BOP20. A control word is available on the Control Unit drive object (r0019) for this purpose, which can be interconnected with the appropriate binector inputs of e.g. the drive.

The interconnections do not function if a standard PROFIdrive telegram was selected as its interconnection cannot be disconnected.

Table 9- 8 BOP20 control word

Bit (r0019)	Name	Example, interconnection parameters
0	ON / OFF (OFF1)	p0840
1	No coast down/coast down (OFF2)	p0844
2	No fast stop/fast stop (OFF3)	p0848
7	Acknowledge fault (0 -> 1)	p2102
13	Motorized potentiometer, raise	p1035
14	Motorized potentiometer, lower	p1036

Note

For simple commissioning, only bit 0 should be interconnected. When interconnecting bits 0 ... 2, then the system is powered-down according to the following priority: OFF2, OFF3, OFF1.

9.3 Controlling via the AOP30 operator panel

 **WARNING**

The OFF switch on the AOP30 operator panel does not have an EMERGENCY OFF function.

In order to avoid dangerous incorrect operator actions, the EMERGENCY OFF pushbutton must be installed in a plant or system at an adequate distance from the AOP30.

Note

To operate the AOP30, p2030=3 must be set.

An operator panel is located in the cabinet door of the cabinet unit for operating, monitoring, and commissioning tasks. It has the following features:

- Graphical, backlit LCD for plain-text display and a "bar display" of process variables
- LEDs for displaying the operating states
- Help function describing the causes of and remedies for faults and alarms
- Keypad for controlling a drive under normal operating conditions
- LOCAL/REMOTE switchover for selecting the control terminal (master control assigned to operator panel or customer terminal block/PROFIBUS)
- Numeric keypad for entering setpoints or parameter values
- Function keys for prompted navigation through the menus
- Two-stage safety concept to protect against accidental or unauthorized changes to settings
- IP54 degree of protection (as installed)

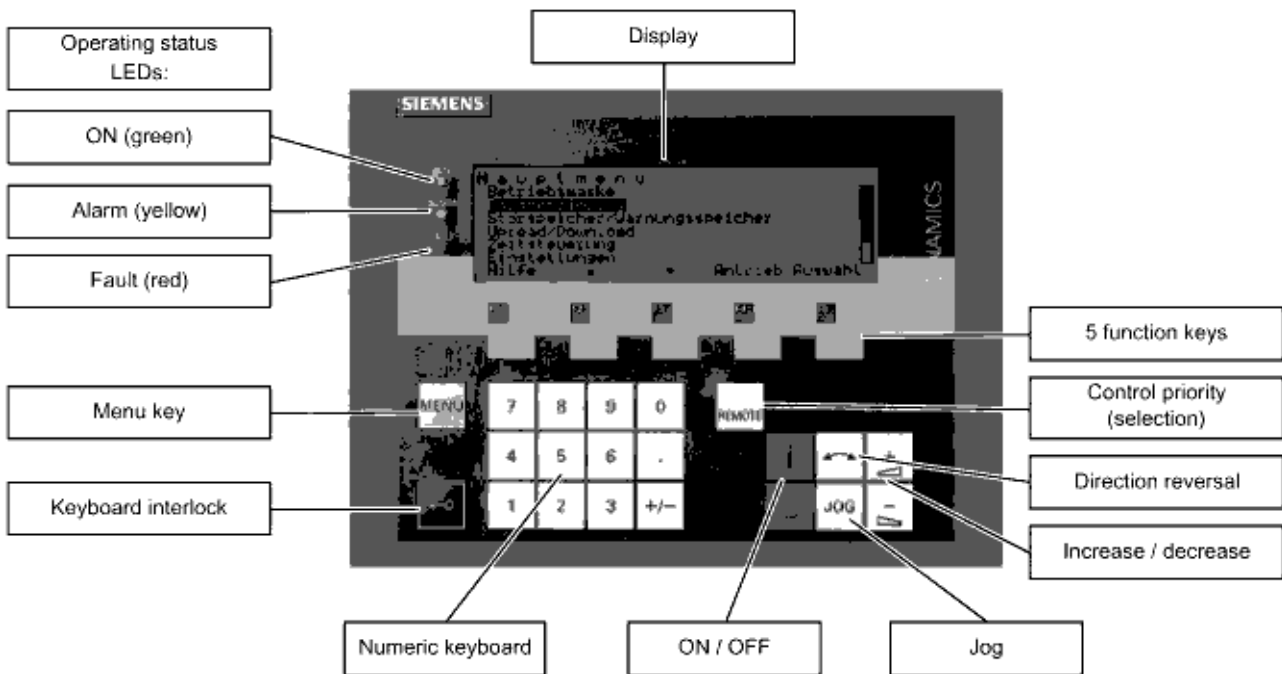


Figure 9-16 Components of the cabinet unit operator panel (AOP30)

9.3.1 Overview and menu structure

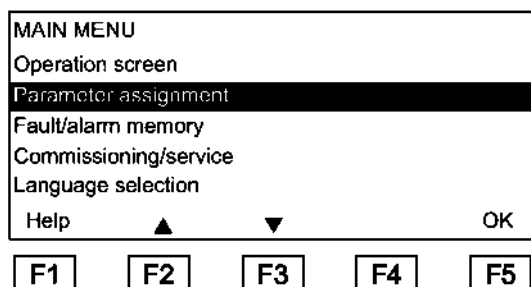
Description

The operator panel can be used for:

- Assigning parameters (commissioning)
- Monitoring status variables
- Controlling the drive
- Diagnosing faults and alarms

All the functions can be accessed via a menu.

Your starting point is the main menu, which you can always call up using the yellow MENU key:



Dialog screen for the main menu: This can be accessed with the "MENU" key. Press "F2" or "F3" to navigate through the menu options in the main menu.

Menu structure of the operator panel

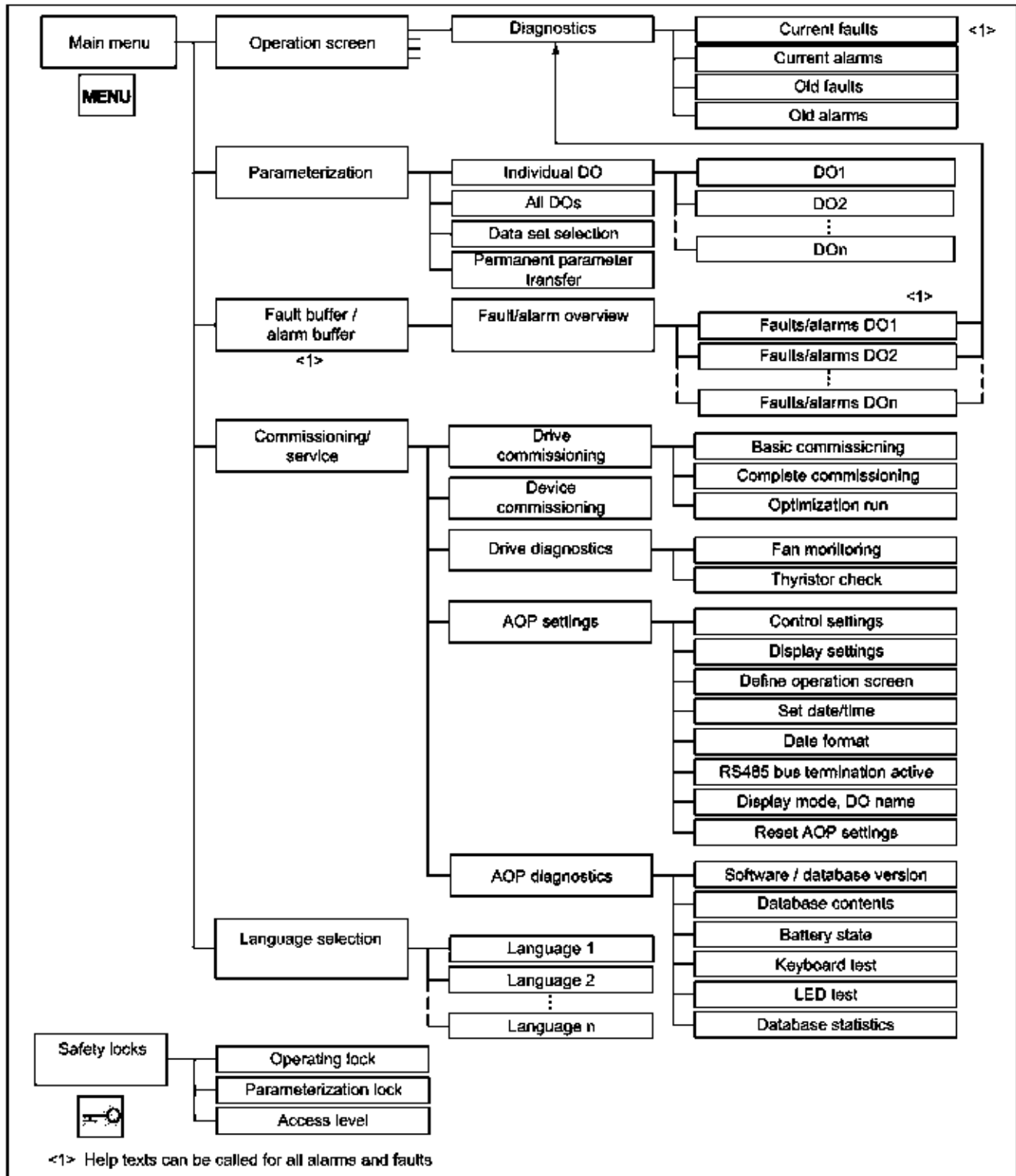


Figure 9-17 Menu structure of the AOP30 operator panel

9.3.2 Menu: Operation screen

Description

The operation screen displays the most important status variables for the drive unit:

In the factory setting, it displays the operating state of the drive, the direction of rotation, the time, as well as four drive variables (parameters) in numerical format and two values in the form of a bar display for continuous monitoring.

You can call up the operation screen in one of three ways:

1. Automatically after ramping-up is complete
2. From the main menu, by selecting the "Operation screen" menu command and F5 ("OK")
3. From the "Fault/alarm overview" screen, by selecting F4 ("Tools+"/"Back") and F5 ("OK") if the jump is from the operation screen into this screen

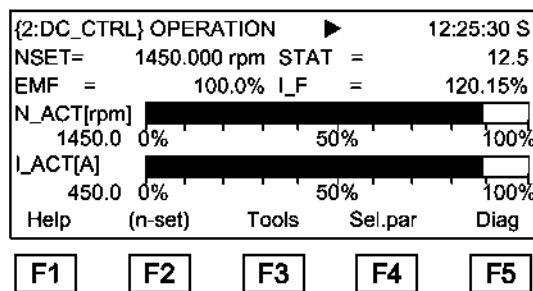


Figure 9-18 Operation screen

If a fault was registered during ramping-up, the system automatically branches from the operation screen into which the jump was made following the ramping-up process into the fault screen. This also happens if the system is on the operation screen and the first fault is registered here.

You can use F2 in the LOCAL state to enter the setpoint via the numeric keypad, if the drive is in the OPERATION state or the system setting "Save AOP setpoint" is set to YES.

You can switch to an alternative operation screen with F3 "Tools." It is used to display technological variables and can be defined or changed at `Menu\Commissioning service\AOP settings\Define operation screen`

The individual parameters of the operation screen can be selected using F4 ("Sel. par"). F1 ("Help+") can be used to display the corresponding parameter number of the short identifier and call up a description of the parameter.

Setting options

By selecting Commissioning/Service → AOP settings → Define operation screen, you can adjust the display type and the values displayed as required (see Chapter "Operation/AOP30 settings").

9.3.3 Parameterization menu

You can adjust the unit settings in the Parameterization menu.

Two display types can be selected in the AOP:

1. All parameters
All the parameters present in the unit are listed with this option. The DO to which the parameter currently selected belongs (inverted) is displayed in curly brackets in the top left of the screen. With this display type, the response time for turning a page is dependent on the number of DOs and is generally longer than with parameter lists that only display one DO.
2. DO selection
With this display type, you can pre-select a DO so that only the parameters for this DO are listed. (The expert list in STARTER is only displayed in this DO view.)

In both cases, the set access level governs which parameters are displayed. You can set the access level in the menu for safety inhibits, which can be called up using the key button.

The parameters for access levels 1 and 2 are sufficient for simple applications.

At access level 3 ("Expert"), you can change the structure of the function by interconnecting BICO parameters.

The Parameterization menu offers four options:

- Individual DO

Shows the parameters of a DO to be selected in advance

- All DOs

Shows the parameters of all DOs in list format (as described above)

- Data set selection

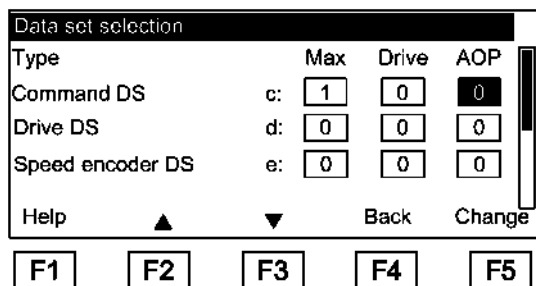


Figure 9-19 Data set selection

In the "AOP" column of the "Data set selection" screen, you can choose which of the data sets selected is currently displayed on the operator panel. The data set numbers that are set in the drive (i.e. are currently active) are displayed in the "Drive" column. The "Max" column shows the maximum data set number to be entered for the AOP30 display.

In parameter lists, data set parameters are indicated by the letter c, d, or e between the parameter number and parameter designator. The number at the right of the first row from the top shows which data set a highlighted parameter comes from.

In the commissioning wizard, the drive is commissioned using the data set selected on this screen in the AOP column.

The data set selection dialog appears whenever a data set parameter is changed in the parameter list. The data set selected in the data set selection screen is a default setting.

- **Permanent parameter transfer**

Parameter changes in the SINAMICS DC MASTER are only made temporarily in the RAM. If a parameter assignment is intended to be permanent, it is possible to trigger a save process at this point. Depending on the configuration, this can take from 45 s to several minutes.

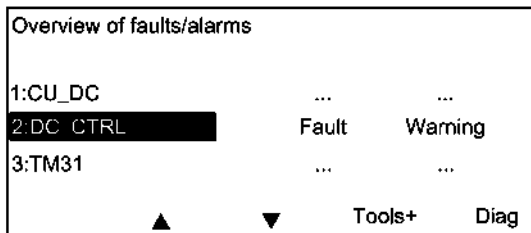
See also Chapter "Operation", Section "Memory card functions".

9.3.4 Menu: Fault/alarm memory

When you select this menu, a screen appears containing an overview of faults and alarms that are present.

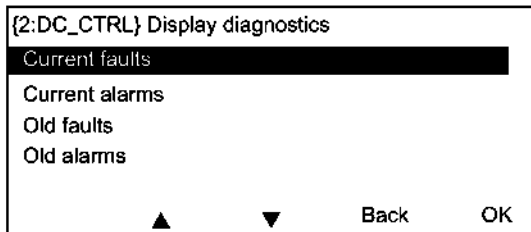
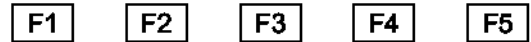
For each drive object, the system indicates whether any faults or alarms are present ("Fault" or "Alarm" appears next to the drive object in question).

In the graphic below, you can see that at least one active fault/alarm is present for the "DC_CTRL" drive object. No faults or alarms are indicated for the other drive two objects.



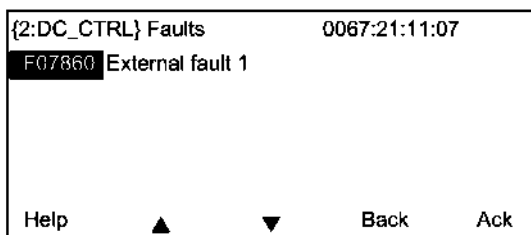
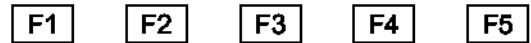
Overview of faults/alarms

When you navigate to the line with active alarms/faults and then press the F5 (<Diag>) key, the system displays a screen in which you may select the current or old alarms/faults.



Displaying diagnostics

When you navigate to the required line and then press the F5 (<OK>) key, the corresponding faults/alarms are displayed. The list of current faults is selected here as an example.

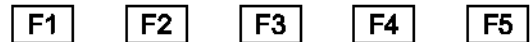


Display of current faults

A maximum of eight current faults are displayed along with their fault number and name.

To display additional help regarding the cause of the problem and how to solve it, choose F1 (<Help>).

To acknowledge the faults, choose F5 (<Ack.>). If a fault cannot be acknowledged, the fault remains.



9.3.5 Menu: Commissioning/Service

9.3.5.1 Drive commissioning

Selecting this option enables you to re-commission the drive from the main menu, using the AOP wizard.

Basic commissioning

A few key parameters (such as the maximum speed, ramp-up time, and ramp-down time) are requested. The changes can then be permanently saved in the final confirmation screen.

Complete commissioning

Complete commissioning, with entry of the motor and encoder data, is carried out. Following this, key motor parameters are recalculated on the basis of the motor data. The parameter values calculated during the previous commissioning process are lost. The calculated values are then overwritten during a subsequent optimization run.

Optimization run

The selection screen for the optimization runs appears.

9.3.5.2 Device commissioning

In this menu, you can enter the device commissioning status directly. This is the only way that you can reset parameters to their factory settings, for example.

9.3.5.3 AOP settings

Control settings

This defines the settings for the control keys in LOCAL mode (see the section titled "Operation/Operation via the operator panel") as well as additional settings that are relevant for drive control.

Display settings

This menu is where you make the lighting, brightness, and contrast settings for the display.

Define operation screen

In this menu, you can switch between five operation screens. You can set the parameters that are to be displayed.

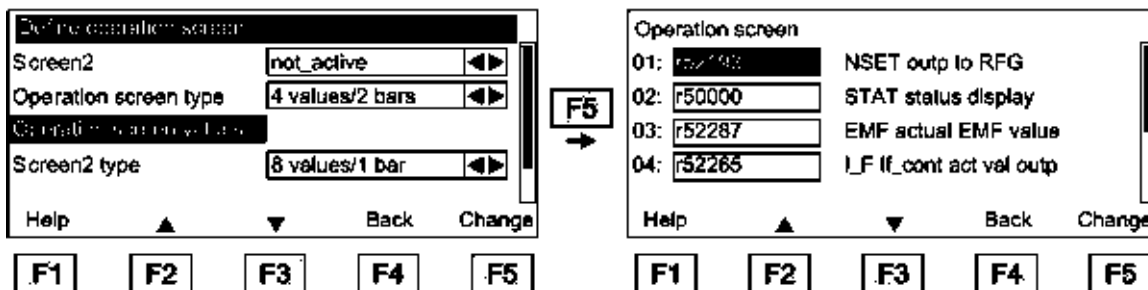


Figure 9-20 Define operation screen

The figure below shows how the entries are assigned to the screen positions:

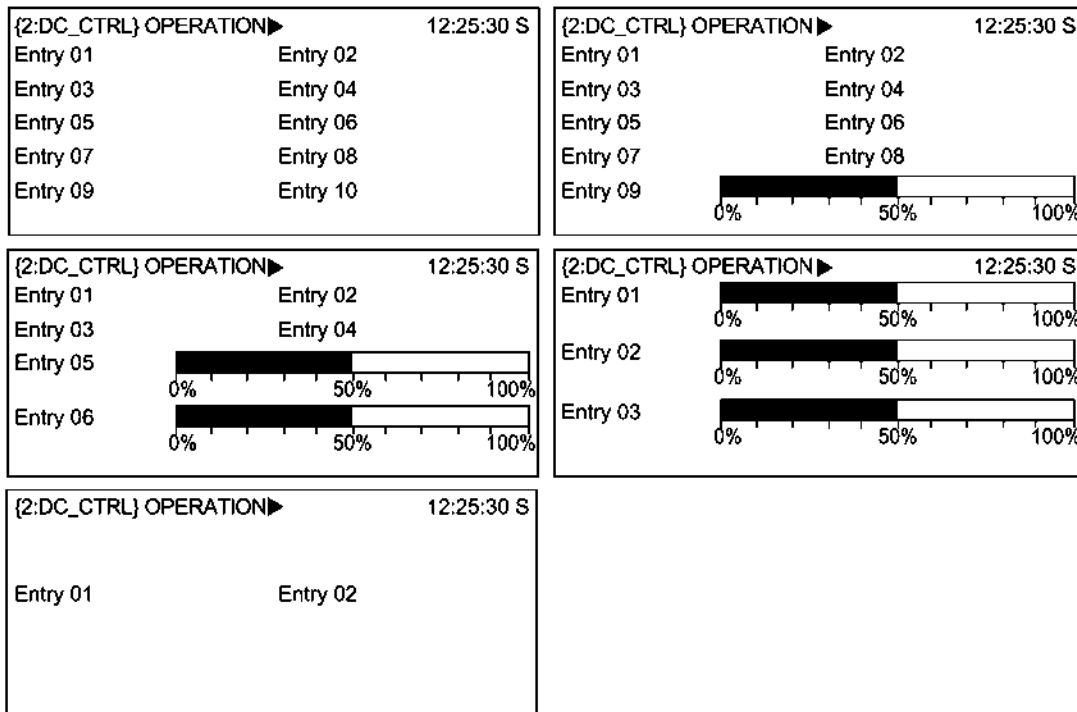


Figure 9-21 Layout of the entries on the operation screen

9.3.5.4 Lists of signals for the operation screen

The following tables list some of the main signals for the operation screen along with their associated reference variables and default settings for quick commissioning.

DC_CTRL object

Table 9- 9 List of signals for the operation screen - DC_CTRL object

Signal	Parameter	Short name	Unit	Scaling (100%=...) see table below
Factory setting (entry no.)				
N setpoint following limitations	(1) r50029	NSET	rpm	p2000
Status display	(2) r50000	STAT	-	-
Actual EMF value	(3) r52287	EMF	%	-
Field current actual value	(4) r52265	I_F	%	-
Speed actual value	(5) r00021	N_ACT	rpm	p2000
Actual armature current value	(6) r00027	I_ACT	A	p2002
Armature firing angle	(7) r50018	ALF_A	°	-
Field firing angle	(8) r50034	ALF_F	°	-
Motor temperature rise	(9) r50014.0	TEMP	%	-

Signal	Parameter	Short name	Unit	Scaling (100%=...) see table below
Thyristor temperature rise	(10) r50014.1	TEMP1	%	-
For diagnostic purposes				
Speed setpoint smoothed	r0020	NSET	rpm	p2000
Actual speed value, motor encoder	r0061	N_ACT	rpm	p2000
Actual speed value following smoothing	r0063	N_ACT	rpm	p2000
For further diagnostic purposes				
PROFIBUS setpoint	r2050	PBSET	rpm	p2000

Scalings for DC_CTRL object

Table 9- 10 Scalings for DC_CTRL object

Variable	Scaling parameter	Default for quick commissioning
Reference speed	100% = p2000	p2000
Reference voltage	100% = p2001	p2001 = 1,000 V
Reference current	100% = p2002	p2002 = Current limit (p0640)
Reference torque	100% = p2003	p2003 = 2 × rated motor torque
Reference power	100% = r2004	r2004 = (p2003 × p2000 × π) / 30
Reference temperature	100% = 100° C	-

TM31 object

Table 9- 11 List of signals for the operation screen – TM31 object

Signal	Parameter	Short name	Unit	Scaling (100% = ...)
Analog input 0 [V, mA]	r4052[0]	AI_UI	V, mA	V: 100 V / mA: 100 mA
Analog input 1 [V, mA]	r4052[1]	AI_UI	V, mA	V: 100 V / mA: 100 mA
Analog input 0, scaled	r4055[0]	AI_%	%	V: 100 V / mA: 100 mA
Analog input 1, scaled	r4055[1]	AI_%	%	V: 100 V / mA: 100 mA

Setting the date/time

Settings: MENU – Commissioning/Service – AOP settings

For date stamping in the case of fault codes and alarms, and for AOP time display on the operation screen

The AOP30 contains a battery-buffered real-time clock.

You set the date and time on this screen.

Synchronization

You can also set whether and/or how the AOP30 and drive unit are to be synchronized. Synchronizing the AOP with the drive enables fault codes and alarms to be date-stamped and time-stamped (in the default setting, time-stamping occurs in accordance with the CU runtime).

- None (factory setting)
The AOP30 and drive unit times are not synchronized.
- AOP → Drive
 - Activating this option synchronizes the AOP and drive unit immediately, whereby the current AOP time is transferred to the drive unit.
 - The current AOP30 time is transferred to the drive unit every time the AOP30 is started.
 - At 02:00 (AOP time) every day, the current AOP30 time is transferred to the drive unit.
- Drive → AOP
 - If a time-of-day master is connected to the drive, then activating this option enables the AOP and drive unit to be synchronized immediately, whereby the current drive unit time is transferred to the AOP30.
 - The current drive unit time is transferred to the AOP30 every time the AOP30 is restarted.
 - At 02:00 (AOP time) every day, the current drive unit time is transferred to the AOP30.

Date format

The date format can be set in this menu:

- DD.MM.YYYY: European date format
- MM/DD/YYYY: North American date format

RS485 bus termination active

Settings are not effective: The RS485 bus termination is continuously active.

DO name display mode

A user-definable DO name can be activated/deactivated on this screen.

In the drive, there is the option of entering a user-defined, 25-character DO name for each DO, using the configuration software.

The possible number of characters in a DC name display is limited by the screen in question:

1. DO name in screens displaying the current DO
Examples of screens in this category are operation screens, parameter lists, quick commissioning wizard screens, etc.
The maximum text length is 7 characters. Example {2:DC_CTRL}
Texts of up to 7 characters in length are displayed in full. The first 6 characters of texts that are 8 to 25 characters in length are displayed with "..." as the 7th character.
2. DO names in the overview of faults and alarms (alarm overview)
The maximum text length is 12 characters. Example 2: HOIST 1234
Texts of up to 12 characters in length are displayed in full.
The first 11 characters of texts that are 13 to 25 characters in length are displayed with "..." as the 12th character.

Texts that have been shortened can be displayed in full for around 3 seconds by pressing the "+/-" button, provided that the "User-definable DO name" function is activated.

Reset AOP settings

Selecting this menu command resets the AOP factory settings for the following:

- Language
- Display (brightness, contrast)
- Operation screen
- Control settings

Note

When you reset parameters, all settings that are different from the factory settings are immediately reset on the operator panel. This may cause the unit to switch to an unwanted operating state. For this reason, you should always take great care when resetting parameters.

9.3.5.5 AOP30 diagnostics

Software/database version

This menu command shows the versions of the software and database.

The database version must be compatible with the drive software version (refer to parameter r0018).

Database contents

Shows detailed information on the drive objects (DOs) present in the system

Battery status

This menu displays the battery voltage (in volts and as a bar chart). The battery ensures that the data in the database and the current time are retained.

When the battery voltage is represented as a percentage, a battery voltage of ≤ 2 V is equal to 0%, and a voltage of ≥ 3 V to 100%.

The data is secure up to a battery voltage of 2 V.

- If the battery voltage is ≤ 2.45 V, the message "Replace battery" is displayed in the status bar.
- If the battery voltage is ≤ 2.30 V, the system displays the following message: "Alarm, weak battery".
- If the battery voltage is ≤ 2 V, the system displays the following message: "Caution: The battery is dead".
- If the time and/or database are unavailable due to lack of voltage after a prolonged system downtime, the loss is established by means of a CRC check when the system is switched on again. This triggers a message instructing the user to replace the battery and then load the database and/or set the time.

For instructions on how to change the battery, see "Maintenance and servicing".

Keyboard test

On this screen, you can check that the keys are functioning properly. Keys that you press are represented on a symbolic keyboard on the display. You can press keys in any order you wish. You cannot exit the screen (F4 – "Back") until you have pressed each key at least once.

Note

Alternatively, you can exit the keyboard test screen by pressing any key and holding it down.

LED test

On this screen, you can check that the 4 LEDs are functioning properly.

Database statistics

Data related to the database is displayed here (e.g. free memory for additional DOs)

9.3.6 Sprachauswahl/Language selection

The operator panel downloads the texts for the different languages from the drive.

In the delivery condition without a memory card, you can toggle between German and English. With memory card (from V1.2), French, Italian, Spanish and Russian are also automatically available. The memory card must remain inserted for operation with these languages. The software provided for the update also includes all of the language packages that are available.

You can change the language of the operator panel via the "Sprachauswahl/Language selection" menu.

Note

Languages in addition to those that are currently available for the operator panel are available on request.

9.3.7 Operation via the operator panel (LOCAL mode)

You activate the control keys by switching to LOCAL mode. If the green LED in the LOCAL/REMOTE key does not light up, the key is not active.

Note

If the "OFF in REMOTE" function is activated, the LED in the LOCAL/REMOTE key flashes.

All of the supplementary setpoints are deactivated for LOCAL master control.

After the master control has been transferred to the operator panel, none of the BICO interconnections at bit 0 to bit 10 of the control word for the sequence control are active (refer to function diagram 2501).

9.3.7.1 LOCAL/REMOTE key



Activation of LOCAL mode: Press the LOCAL key.

LOCAL mode: LED lights up

REMOTE mode: LED does not light up; the ON, OFF, JOG, direction reversal, faster, and slower keys are not active.

Settings: Menu – Commissioning/Service – AOP settings – Control settings

Save LOCAL mode (factory setting: Yes)

- **Yes:** The "LOCAL" or "REMOTE" operating state is saved when the power supply is switched off and restored when the power supply is switched back on.
- **No:** The "LOCAL" or "REMOTE" operating state is not saved. "REMOTE" is activated when the power supply is switched on.

OFF in REMOTE (factory setting: No)

- **Yes:** The OFF key functions in REMOTE mode even if the drive is being controlled by external sources (PROFIBUS, customer terminal strip, NAMUR terminal strip).
WARNING: This function is not an EMERGENCY STOP function.
- **No:** The OFF key only functions in LOCAL mode.

LOCAL/REMOTE also during operation (factory setting: No)

- **Yes:** You can switch between LOCAL and REMOTE when the drive is switched on (motor is running).
- **No:** Before switching to LOCAL or REMOTE, a check is carried out to determine whether the drive is in the "Operation" state. If it is, the system does not switch to LOCAL/REMOTE and outputs the error message "LOCAL/REMOTE mode during operation not possible".

9.3.7.2 ON key/OFF key



ON key: Active in LOCAL if no operator inhibit lock is activated

OFF key: Always active in LOCAL; active in REMOTE under certain conditions (if the system setting "OFF in REMOTE" is set to "Yes")

OFF key acts as

- **OFF1:** Ramp-down on the down ramp (p50303)
At speed 0: Disconnection (only if line contactor is present)
- **OFF2:** Immediate pulse inhibit, motor coasts down
- **OFF3:** Ramp-down on the quick stop ramp (p50296)

Factory setting: OFF1

9.3.7.3 CCW/CW changeover

Settings: Menu – Commissioning/Service – AOP settings – Control settings



CCW/CW changeover (factory setting: No)

- **Yes:** CCW/CW changeover by means of the CCW/CW key functions in LOCAL mode
- **No:** The CCW/CW key is inactive.

For safety reasons, the CCW/CW key is disabled in the factory setting (normally pumps and fans must only be operated in one direction).

The direction of rotation that is currently selected is indicated on the operation screen by means of an arrow next to the operating state.

9.3.7.4 Jogging

Settings: Menu – Commissioning/Service – AOP settings – Control settings



JOG key active (factory setting: No)

- **Yes:** In "LOCAL" mode, the JOG key is active in the state "Ready for Switching On" (not in "Operation").
- **No:** The JOG key is not active.

See also function diagram 3125 in the SINAMICS DCM List Manual.

The speed for the JOG function is entered using parameter p50436.

9.3.7.5 Increase setpoint/Decrease setpoint



You can use the Increase and Decrease keys to enter the setpoint with a resolution of 1% of the maximum speed.

Alternatively, the setpoint can also be entered via the numeric keypad. To do this, press F2 while on the operation screen. The system displays an inverted edit field for entering the required speed. Enter the required value using the numeric keypad. Press F5 ("OK") to confirm the setpoint.

Any speed between 0 and the maximum speed (p2000) can be entered using the numeric keypad.

Setpoint entry in LOCAL mode is unipolar. You can change the direction of rotation by pressing the key that allows you to switch between CCW/CW rotation.

- CW rotation and "Increase" key mean:
The setpoint displayed is positive and the speed is increased.
- CCW rotation and "Increase" key mean:
The setpoint displayed is negative and the speed is increased.

9.3.7.6 AOP setpoint

Settings: Menu – Commissioning/Service – AOP settings – Control settings

Save AOP setpoint (factory setting: No)

- **Yes:** In LOCAL mode, the last setpoint (once you have released the Increase or Decrease key or confirmed a numeric entry) is saved.
The next time you switch the system on in LOCAL mode, the saved value is selected. This occurs even if you switched to REMOTE in the meantime or the power supply was switched off.
When the system is switched from REMOTE to LOCAL mode while the drive is switched on (motor is running), the actual value that was last present is set as the output value for the AOP setpoint and saved.
If the system is switched from REMOTE to LOCAL mode while the drive is switched off, the AOP setpoint that was last saved is used.
- **No:** When the system is switched on in LOCAL mode, the speed is always set to the value entered under "AOP starting setpoint". When the system is switched from REMOTE to LOCAL mode while the drive is switched on (motor is running), the actual value that was last present is set as the output value for the AOP setpoint.

AOP setpoint ramp-up time (factory setting: 20 s)

Defines the speed at which the setpoint specified by the AOP is increased when the "+" key is pressed

AOP setpoint ramp-down time (factory setting: 30 s)

Defines the speed at which the setpoint specified by the AOP is decreased when the "-" key is pressed

AOP starting setpoint (factory setting: 0.000 rpm)

The AOP starting setpoint is the speed setpoint which is active when the drive is switched on (with the "ON" key on the AOP30); the "Save setpoint" system setting must be set to "No" for this purpose (see also the description of the "Save AOP setpoint" system setting).

Note

The internal drive ramp-function generator is always active.

9.3.7.7 Inhibiting AOP LOCAL mode

Settings: Menu – Commissioning/Service – AOP settings – Control settings

Inhibit AOP LOCAL mode (factory setting: No)

- **Yes:** Deactivates the "Control via operator panel" function, thereby disabling the LOCAL/REMOTE key.
- **No:** Activates the LOCAL/REMOTE key.

Note

LOCAL functionality can also be inhibited on the drive by means of the p0806 parameter (BI: Inhibit master control).

9.3.7.8 Acknowledging errors via the AOP

Settings: Menu – Commissioning/Service – AOP settings – Control settings

Acknowledge error from the AOP (factory setting: Yes)

- **Yes:** Errors can be acknowledged via the AOP.
- **No:** Errors cannot be acknowledged via the AOP.

9.3.7.9 Timeout monitoring

In "LOCAL" mode or if "OFF in REMOTE" is active, the drive is shut down after 1 s. if the data cable between the AOP and drive is disconnected.

9.3.7.10 Operator inhibit lock/Parameters disable

Operator inhibit lock/Parameters disable



To prevent the control keys from being operated and parameters from being changed unintentionally, you can activate an operator inhibit lock/parameters disable using a key-operated pushbutton. Two key icons appear at the top right of the display when these safety inhibits are enabled.

Table 9- 12 Operator inhibit lock/parameters disable

Inhibit type	Online mode	Offline mode
No safety inhibit		
Operator lock		
Parameter disable		
Operator inhibit lock + parameters disable		

Settings

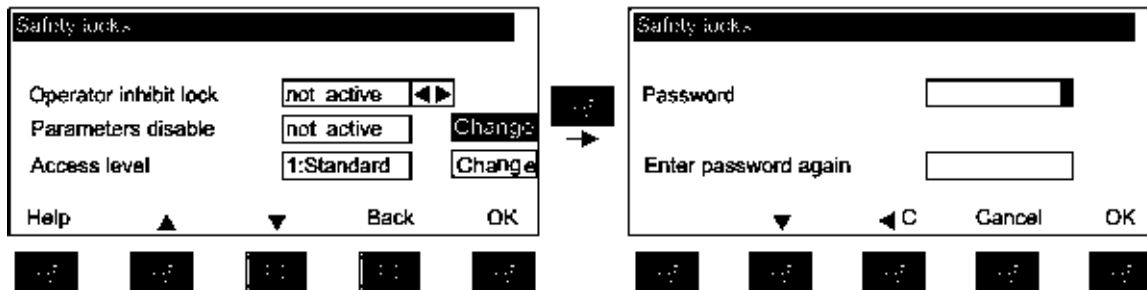


Figure 9-22 Setting safety inhibits

The "Operator inhibit lock" setting can be changed directly via <F5> ("Change") once you have selected the selection box.

When "Parameters disable" is activated, you may enter a numeric password (twice). You must also enter this password when deactivating "Parameters disable".

Operator inhibit lock (factory setting: Not active)

- **Active:** The parameters can still be viewed, but a parameter value cannot be saved (message: "Note: Operator inhibit lock active"). The OFF key (red) is enabled. The LOCAL/REMOTE, ON (green), JOG, CW/CCW, INCREASE, and DECREASE keys are disabled.

Parameters disable (factory setting: Not active)

- **Active:** Parameters cannot be changed unless a password is entered. Parameters are assigned in the same way as in the operator inhibit lock state. If you try to change parameter values, the message "Note: Parameters disable active" is displayed. All the control keys, however, remain enabled.

Access level (factory setting: Expert):

The different parameters required for this complex application are filtered so that they can be displayed as clearly as possible. You select them according to the access level.

An expert level, which must only be used by expert personnel, is required for certain actions.

9.3.8 Faults and alarms

Displaying faults and alarms

If a fault occurs, the drive displays the fault(s) and/or alarm(s) on the operator panel. Faults are indicated by means of the red "FAULT" LED lighting up.

The "Fault/alarm overview" also appears automatically in the following two cases:

1. When a fault is registered while the system is ramping up
2. If the first fault is registered on the operation screen

You can use the F1 (Help) function on the screen to call up information about the cause of the fault and how to remedy it. You can use F5 (Ack.) to acknowledge a stored fault.

Any alarms that are pending are indicated by means of the yellow "ALARM" LED lighting up. Additionally, a note relating to the cause of the alarm is displayed in the status bar of the operator panel.

What is a fault?

A fault is a message from the drive indicating an error or other exceptional (unwanted) status. This could be caused by a fault within the converter or an external fault triggered, for example, by the winding temperature monitoring function for the motor. The faults are displayed and can be reported to a higher-level control system via PROFIBUS.

What is an alarm?

An alarm is the response to a fault condition identified by the drive. It does not result in the drive being switched off and does not have to be acknowledged. Alarms are "self-acknowledging"; that is, they are reset automatically when the cause of the alarm has been eliminated.

Displaying faults and alarms

Every fault and alarm is entered in the fault/alarm buffer along with the time at which it occurred. This time stamp can take two forms:

- Number of days, hours, minutes, and seconds since the AOP was first switched on (format **DDDD: HH:MM:SS**) (no "AOP → Drive" time synchronization)
- System time (format **YY:MM:DD HH:MM:SS** = Year:Month:Day Hour:Minute:Second), in cases where a time-of-day master is present in the system (if "AOP → Drive" time synchronization is active, for example)

You can call up an overview screen that displays the current status of faults and/or alarms for every drive object in the system by choosing MENU – Fault/alarm memory.

A shortcut menu offering the "Back" and "Ack." options appears when you press F4 ("Tools+"). (You can use F4 to exit the shortcut menu.) The function required can be selected using F2 and F3 and executed by pressing F5 ("OK").

The "Ack." function sends an acknowledgement signal to each drive object. The red FAULT LED goes out once all the faults have been acknowledged.

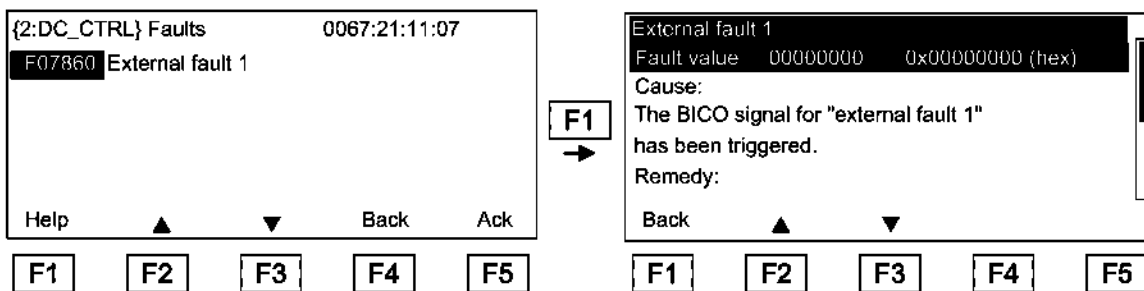


Figure 9-23 Fault screen

You can use F5 (Ack.) to acknowledge a stored fault.

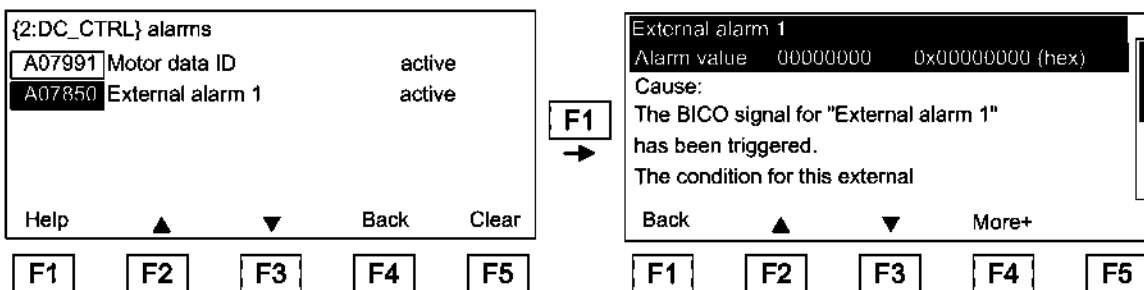


Figure 9-24 Alarm screen

Alarms that are no longer active are removed from the alarm memory with F5 (Clear).

The screen can be updated via a submenu with F4 (More+).

9.3.9 Saving the parameters permanently

Description

If parameters are changed using the operator panel (confirm with OK in the Parameter editor), the new values are initially stored in the volatile memory (RAM) of the converter. An "S" flashes in the top right of the AOP display until they are saved permanently. This indicates that at least 1 parameter has been changed and not yet stored permanently.

2 methods are available for permanently saving parameters that have been changed:

- To store the parameters permanently, choose <MENU> <Parameterization> <OK> <Permanent parameter transfer>.
- When confirming a parameter setting with the OK key, press it for > 1 s. The system displays a message asking you whether the setting is to be saved in the EEPROM. If you press "Yes", the system saves the setting in the EEPROM. If you press "No", the setting is not saved permanently and the "S" starts flashing to indicate this fact.

In both cases, **all** changes that have not yet been saved permanently are stored in the EEPROM. Depending on the configuration, this can take from 45 s to several minutes. Also refer to the "Memory card functions" chapter.

Note

During a data save operation initiated by the user, the electronics power supply for the SINAMICS DC MASTER must not be interrupted.

An active saving process is indicated by the following actions:

- The RDY LED flashes (see the "Description of functions" chapter, "Description of the LEDs on the CUD" section)
- The BOP20 flashes

Interrupting the power supply while saving can lead to the loss of the current device parameter assignments. Also refer to the "Operation" chapter, "Memory card functions" section.

9.3.10 Parameterization errors

If an error is made when reading or writing parameters, a popup window explaining the cause of the problem in plain text appears.

Example: Parameter write error
 Value limit exceeded

9.3.11 Assigning parameters to make AOP30 time-of-day master

The AOP30 contains an integrated real-time clock. The SINAMICS DCM system time can be synchronized with this real-time clock.

Activate this function:

- On the AOP30 in the *"Menu/Commissioning/Service/AOP settings/Date and Time"* menu command activate to *"AOP sets clock in SINAMICS"*.

The current time in the AOP30 is then written into the drive.

In the display for faults and alarms, the time stamp is now displayed in the format YY-MM-DD hh:mm in real-time. The time stamp mode and the current time can be read from the parameters p3100, p3102 and p3103. For details, please see the SINAMICS DCM List Manual.

The current time is resynchronized at each power-up. (The AOP30 must be switched on together with the drive). During uninterrupted duty, a synchronization takes place every day at 02:00.

Descriptions of functions

10.1 Inputs/Outputs

10.1.1 Overview of inputs/outputs

Table 10- 1 Overview of inputs and outputs

Component	Digital	Analog
CUD	<ul style="list-style-type: none"> • 4 inputs (2 inputs freely available, 2 inputs with ON/OFF1 and controller enable pre-assigned) • 4 bidirectional inputs/outputs • 4 outputs • 1 incremental encoder input 	<ul style="list-style-type: none"> • 7 inputs • 2 outputs • 1 temperature sensor input
Power unit	<ul style="list-style-type: none"> • 1 relay output 	<ul style="list-style-type: none"> • 1 input for analog tachometer
TM15	<ul style="list-style-type: none"> • 24 bidirectional inputs/outputs 	-
TM31	<ul style="list-style-type: none"> • 8 inputs • 4 bidirectional inputs/outputs • 2 relay outputs 	<ul style="list-style-type: none"> • 2 inputs • 2 outputs • 1 temperature sensor input
TM150	-	<ul style="list-style-type: none"> • 12 inputs for max. 12 temperature sensors (PT100, PT1000, KTY84, PTC, bimetal contact) <p>Number depending on connection type</p>
<p>Technical data for inputs and outputs:</p> <ul style="list-style-type: none"> • For the CUD and power unit, see Chapter Connecting (Page 93) • For the TM15, TM31 and TM150, see Chapter Additional system components (Page 189) 		

10.1.2 Digital inputs/outputs

Function diagrams in the SINAMICS DCM List Manual

2050	Digital inputs DI 0 ... DI 3
2055	Digital outputs DO 0 ... DO 3
2060	Digital inputs/outputs, bi-directional DI/DO 4 and DI/DO 5
2065	Digital inputs/outputs, bi-directional DI/DO 6 and DI/DO 7

10.1.3 Analog inputs

Properties

Table 10- 2 Properties of the analog inputs

Inputs	Properties
AI 0, AI 1	<ul style="list-style-type: none"> Differential inputs Voltage inputs -10 to +10 V or Current inputs -20 to +20 mA or 4 to 20 mA Hardware input filter: T = 1 ms Integrating measuring procedure. Averaging time = 1 ms. The average value determined during this time is provided in BICO format.
AI 2	<ul style="list-style-type: none"> Differential input Voltage input -10 to +10 V Hardware input filter: T = 1 ms Integrating measuring procedure. Averaging time = 1 ms. The average value determined during this time is provided in BICO format. <p>An external armature current actual value can also be connected to this input (see FP6902).</p>
<p>The 3 inputs AI 0, AI 1 and AI 2 of a CUD on the left and the 3 inputs AI 0, AI 1 and AI 2 of a CUD on the right can be operated so that they are averaged during the same measuring interval. The 6 mean values are provided on 6 BICOs (see FP2083).</p>	
AI 3, AI 4, AI 5, AI 6	<ul style="list-style-type: none"> Differential inputs Voltage inputs -10 to +10 V Hardware input filter: T = 100 µs Sampling measuring procedure. Sampling time = 250 µs. The mean value taken from 4 sampling values is provided in BICO format. <p>An external actual armature current value can also be connected to these inputs (see FP6850).</p>
Tachometer input XT1.103/104	<ul style="list-style-type: none"> Input referred to ground High-voltage input -270 to +270 V Hardware input filter: T = 1 ms Integrating measuring procedure. Averaging time = 1 ms. The average value determined during this time is provided in BICO format. <p>This input is designed for connecting an analog tachometer, but can also be used in other ways.</p>

Function diagrams

- 2075 Analog inputs, AI 0 and XT1.103/104
- 2080 Analog inputs, AI 1 and AI 2
- 2085 Analog inputs, AI 3 and AI 4
- 2090 Analog inputs, AI 5 and AI 6

10.1.4 Analog outputs

See function diagram 2095 in the SINAMICS DCM List Manual.

10.2 Communication, IT security

Note

IT security (industrial security)

In order to ensure the safe operation of your systems, you must take suitable measures, e.g. industrial security or network segmentation. You can find more information on Industrial Security on the Internet at:

IT security (<http://www.industry.siemens.com/topics/global/en/industrial-security>)

10.3 Communication according to PROFIdrive

PROFIdrive is the PROFIBUS and PROFINET profile for drive technology with a wide range of applications in production and process automation systems.

PROFIdrive is independent of the bus system used (PROFIBUS, PROFINET).

Note

PROFINET for drive technology is standardized and described in the following document:

- PROFIBUS profile PROFIdrive–Profile Drive Technology, Version V4.1, May 2006, PROFIBUS User Organization e. V.
Haid-und-Neu-Straße 7, D-76131 Karlsruhe, <http://www.profibus.com>
Order Number 3.172, spec. Chapter 6
- IEC 61800-7

PROFIdrive device classes

Table 10-3 PROFIdrive device classes

PROFIdrive	PROFIBUS DP	PROFINET IO
Peripheral device (P device)	DP slave (I slaves)	IO Device
Controller (higher-level controller or host of the automation system)	Class 1 DP master	IO Controller
Supervisor (engineering station)	Class 2 DP master	IO Supervisor

Properties of the Controller, Supervisor and drive units

Table 10-4 Properties of the Controller, Supervisor and drive units

Properties	Controller	Supervisor	Drive unit
As bus node	Active		Passive
Send messages	Permitted without external request		Only possible on request by the controller
Receive messages	Possible without any restrictions		Only receive and acknowledge permitted

- Drive unit (PROFIBUS: Slave, PROFINET IO: IO Device)

Example: Control Unit CUD

- Controller (PROFIBUS: Master Class 1, PROFINET IO: IO Controller)

A controller is typically a higher-level controller in which the automation program runs.

Example: SIMATIC S7 and SIMOTION

- Supervisor (PROFIBUS: Master Class 2, PROFINET IO: IO Supervisor)
 Devices for configuring, commissioning, operator control and monitoring while the bus is in operation – and devices, which only exchange non-cyclic data with drive units and controllers.
 Examples: Programming devices, human machine interfaces

Communication services

Two communication services are defined in the PROFIdrive profile; namely, cyclic data exchange and acyclic data exchange.

- Cyclic data exchange via a cyclic data channel:
 Motion control systems require cyclically updated data in operation for open-loop and closed-loop control tasks. This data must be sent to the drive units in the form of setpoints or transmitted from the drive units in the form of actual values, via the communications system. Transmission of this data is usually time-critical.
- Acyclic data exchange via an acyclic data channel:
 An acyclic parameter channel for exchanging parameters between the controller/supervisor and drive units is additionally available. Access to this data is not time-critical.
- Alarm channel
 Alarms are output on an event-driven basis, and show the occurrence and expiry of error states.

Interface IF1 and IF2

The Control Unit CUD can communicate via two separate interfaces (IF1 and IF2).

Table 10- 5 Properties of IF1 and IF2

	IF1	IF2
PROFIdrive	Yes	No
Standard telegrams	Yes	No
Isochronous mode	No	No
Drive object types	All	All
Can be used for	PROFINET IO, PROFIBUS DP	PROFINET IO, PROFIBUS DP, CANopen
Cyclic operation possible	Yes	Yes
PROFIsafe possible	Yes	Yes

Note

For additional information on the IF1 and IF2 interfaces, see Chapter Parallel operation of communication interfaces (Page 412).

10.3.1 Application classes

There are different application classes for PROFIdrive according to the scope and type of the application processes. PROFIdrive features a total of six application classes, two of which are discussed here.

Application class 1 (standard drive)

In the most basic case, the drive is controlled via a speed setpoint by means of PROFIBUS/PROFINET. In this case, speed control is fully handled in the drive controller. Typical application examples include simple frequency converters for controlling pumps and fans.

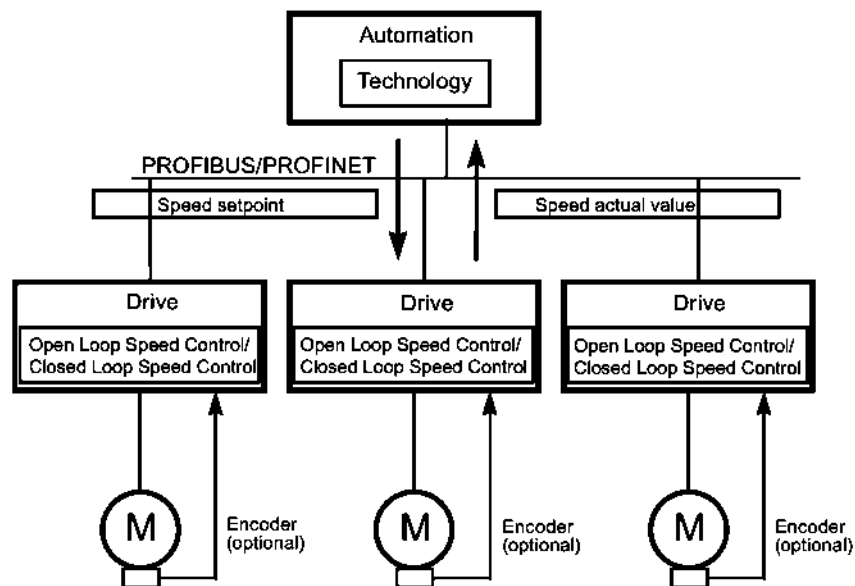


Figure 10-1 Application class 1

Application class 2 (standard drive with technology function)

The total process is subdivided into a number of small subprocesses and distributed among the drives. This means that the automation functions no longer reside exclusively in the central automation device but are also distributed in the drive controllers. Of course, this distribution assumes that communication is possible in every direction, i.e. also cross-communication between the technology functions of the individual drive controllers. Specific applications include setpoint cascades, winding drives, and speed synchronization applications for continuous processes with a continuous web.

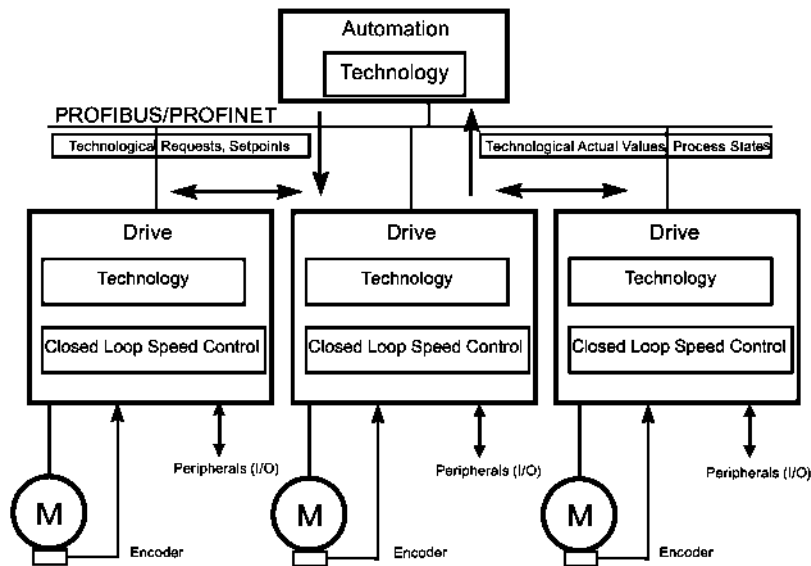


Figure 10-2 Application class 2

Selection of telegrams as a function of the application class

The telegrams listed in the table below (see also Chapter Telegrams and process data (Page 385)) can be used in the following application classes:

Table 10- 6 Selection of telegrams as a function of the application class

Telegram (p0922 = x)	Description	Class 1	Class 2
1	Speed setpoint, 16-bit	x	x
2	Speed setpoint, 32-bit	x	x
3	Speed setpoint, 32-bit with 1 position encoder		x
4	Speed setpoint, 32-bit with 2 position encoders		
20	Speed setpoint, 16-bit VIK-NAMUR	x	x
220	Speed setpoint, 32-bit for metal industry	x	
352	Speed setpoint, 16-bit, PCS7	x	x
999	Free telegrams	x	x

10.3.2 Cyclic communication

Cyclic communication is used to exchange time-critical process data.

10.3.2.1 Telegrams and process data

When a telegram is selected via p0922, the drive unit (Control Unit) process data that is transferred is determined.

From the perspective of the drive unit, the received process data represents the receive words and the process data to be sent the send words.

The receive and send words comprise the following elements:

- Receive words: Control words or setpoints
- Send words: Status words or actual values

PROFIdrive telegrams

- Standard telegrams

The standard telegrams are structured in accordance with the PROFIdrive profile. The internal process data links are set up automatically in accordance with the telegram number setting.

The following standard telegrams can be set via p0922:

- 1 Speed setpoint, 16-bit
- 2 Speed setpoint, 32-bit
- 3 Speed setpoint, 32-bit with 1 position encoder
- 4 Speed setpoint, 32-bit with 2 position encoders
- 20 Speed setpoint, 16-bit VIK-NAMUR

- Manufacturer-specific telegrams

The manufacturer-specific telegrams are structured in accordance with internal company specifications. The internal process data links are set up automatically in accordance with the telegram number setting.

The following vendor-specific telegrams can be set via p0922:

- 220 Speed setpoint, 32-bit for metal industry
- 352 Speed setpoint, 16-bit, PCS7
- 390 Control Unit with digital inputs/outputs

- Free telegrams (p0922 = 999)

The send and receive telegrams can be configured as required by using BICO technology to interconnect the send and receive process data.

	DC_CTRL	CU_DC	TM31, TM15DI_DO, TM150	ENCODER
Receive process data				
DWORD connect- or output	r2060[0 ... 62]	-	-	r2060[0 ... 2]
WORD connector output	r2050[0 ... 63]	r2050[0 ... 19]	r2050[0 ... 4]	r2050[0 ... 3]
Binector output	r2090.0 ... 15 r2091.0 ... 15 r2092.0 ... 15 r2093.0 ... 15		r2090.0 ... 15 r2091.0 ... 15	r2090.0 ... 15 r2091.0 ... 15 r2092.0 ... 15 r2093.0 ... 15
Free binector- connector con- verter	p2080[0 ... 15], p2081[0 ... 15], p2082[0 ... 15], p2083[0 ... 15], p2084[0...15] / r2089[0 ... 4]			
Send process data				
DWORD connect- or input	p2061[0 ... 62]	-	-	p2061[0 ... 10]
WORD connector input	p2051[0 ... 63]	p2051[0 ... 24]	p2051[0 ... 4]	p2051[0 ... 11]
Free connector- binector converter	p2099[0 ... 1] / r2094.0 ... 15, r2095.0 ... 15			

Notes on telegram interconnections

- When you change p0922 = 999 (factory setting) to p0922 ≠ 999, the telegrams are interconnected and blocked automatically.
- Exceptions here are telegrams 20, 220 and 352. Here, selected PZDs can be interconnected as required in the send/receive telegram.
- When you change p0922 ≠ 999 to p0922 = 999, the previous telegram interconnection is retained and can be changed.
- If p0922 = 999, a telegram can be selected in p2079. A telegram interconnection is automatically made and blocked. The telegram can also be extended.

This is an easy method for creating extended telegram interconnections on the basis of existing telegrams.

Notes on the telegram structure

- The parameter p0978 contains the drive objects that use a cyclic PZD exchange. A zero is used to demarcate the drive objects that do not exchange PZD.
- If the value 255 is written to p0978, the drive unit emulates an empty drive object that is visible to the PROFIBUS master. This enables cyclic communication of a PROFIBUS master in the following cases:
 - With unchanged configuration to drive units that have a different number of drive objects.
 - With deactivated drive objects, without having to change the project
- The following must apply to ensure conformity with the PROFIdrive profile:
 - Interconnect PZD receive word 1 as control word 1 (STW1).
 - Interconnect PZD send word 1 as status word 1 (STW1). (Use WORD format for PZD1)
- One PZD = one word.
- Only one of the interconnection parameters (p2051 or p2061) can have the value ≠ 0 for a PZD word.
- Physical word and double word values are inserted in the telegram as referenced variables.

They refer to 100% = 16384 = pxxxx. However, you must take into account the internal scaling of individual physical variables, e.g. r0080 torque, see SINAMICS DCM List Manual.
- The reference variable is specified for each BICO in the parameter list. Most BICOs have the unit "%".

The following then applies: Telegram content = 4000 hex (or 4000 0000 hex for double words) corresponds to the value 100%.

Structure of the telegrams

You can find the structure of the telegrams in the SINAMICS DCM List Manual in the following function diagram:

- 2420: PROFIdrive - telegrams and process data

Drive object	Telegrams (p0922)
DC_CTRL	3, 4
ENC	81, 82, 83, 999
TM15DI_DO	No predefined telegram.
TM31	No predefined telegram.
TM150	No predefined telegram.
CU_DC	390, 999

10.3 Communication according to PROFIdrive

Depending on the drive object, the following maximum number of process data can be transferred for a user-defined telegram structure:

Drive objects	Maximum number of PZD	
	Send	Receive
DC_CTRL	64	64
ENC	12	4
TM15DI_DO	5	5
TM31	5	5
TM150	5	5
CU_DC	25	20

Function diagrams (see the SINAMICS DCM List Manual)

- 2410 PROFIdrive - PROFIBUS (PB) / PROFINET (PN), addresses and diagnostics
- 2498 PROFIdrive - I_DIGITAL interconnection

10.3.2.2 Description of control words and setpoints

Overview of control words and setpoints

Table 10- 7 Overview of control words and setpoints, see function diagram [2440]

Abbreviation	Name	Signal number	Data type ¹⁾	Interconnection parameter ²⁾
STW1	Control word 1 for telegram 1, 3, 4, 20, 352	1	U16	(bit-by-bit)
STW2	Control word 2 for telegram 3, 4	3	U16	(bit-by-bit)
NSET_A	Speed setpoint A (16-bit)	5	I16	p1070
NSET_B	Speed setpoint B (32-bit)	7	I32	p50621
G1_STW	Encoder 1 control word	9	U16	p0480[0]
G2_STW	Encoder 2 control word	13	U16	p0480[1]
A_DIGITAL	Digital output (16-bit)	22	U16	(bit-by-bit)
STW1_BM	Control word 1, variant for BM	322	U16	(bit-by-bit)
STW2_BM	Control word 2, variant for BM	324	U16	(bit-by-bit)
CU_STW1	Control word 1 for Control Unit	500	U16	(bit-by-bit)

¹⁾ Data type according to PROFIdrive profile V4:
I16 = Integer16, I32 = Integer32, U16 = Unsigned16, U32 = Unsigned32
²⁾ Bit-by-bit interconnection: Refer to the following pages

STW1 (control word 1)

Table 10- 8 Control word 1 (STW1)

Bit	Meaning	Explanation	Operating condition	BICO
0	0 = OFF1 (OFF1)	0: Deceleration on the down ramp, then pulse inhibit, line contactor (if present) is opened	1	Bl: p0840
	0 → 1 = ON	Pulse enable possible		
1	0 = Coast down (OFF2)	0: Pulse inhibit, line contactor (if present) is opened	1	Bl: p0844 Bl: p0845
	1 = Do not coast down	Enable possible		
Note: Control signal OFF2 is generated by ANDing Bl: p0844 and Bl: p0845.				
2	0 = Quick stop (OFF3)	0: Deceleration on the quick stop ramp, then pulse inhibit, line contactor (if present) is opened.	1	Bl: p0848
	1 = No quick stop	Enable possible		
Note: Control signal OFF3 is generated by ANDing Bl: p0848 and Bl: p0849.				
3	0 = Inhibit operation	0: Pulse inhibit. The motor coasts down. The "Ready for Operation" state remains set.	1	Bl: p0852
	1 = Enable operation	1: Pulse enable, ramp-up with active setpoint		
4	0 = Inhibit ramp-function generator	0: The ramp-function generator output is set to setpoint "0".	1	Bl: p1140
	1 = Enable ramp-function generator			
5	0 = Stop ramp-function generator	0: The current setpoint is frozen at the ramp-function generator output.	1	Bl: p1141
	1 = Start ramp-function generator			
6	1 = Enable speed setpoint	1: The speed setpoint at the input of the ramp-function generator is enabled.	1	Bl: p1142
	0 = Inhibit speed setpoint	0: The speed setpoint at the input of the ramp-function generator is set to zero. The drive brakes in accordance with the set ramp-down time.		
7	0 → 1 = Acknowledge fault	A positive edge change acknowledges all the current faults.	-	Bl: p2103
	Note: Acknowledgement is realized with a 0/1 edge via Bl: p2103 or Bl: p2104 or Bl: p2105.			
8	Reserved		-	-
9	Reserved		-	-
10	1 = Control via PLC	1: PROFIBUS control words and setpoints are analyzed.	1	Bl: p0854
		0: PROFIBUS control words and setpoints are not analyzed.		
Note: This bit should not be set to "1" until the PROFIBUS slave has returned an appropriate status via ZSW1.9 = "1".				
11	Reserved		-	-
12	Reserved		-	-

10.3 Communication according to PROFIdrive

Bit	Meaning	Explanation	Operating condition	BICO
13	1 = Motorized potentiometer, higher	Only when p0922 = 1 or 352, otherwise reserved	-	Bl: p1035
14	1 = Motorized potentiometer, lower	Only when p0922 = 1 or 352, otherwise reserved	-	Bl: p1036
Note: If "Motorized potentiometer, higher" and "Motorized potentiometer, lower" are both 0 or 1 at the same time, the current setpoint is frozen.				
15	1 = CDS bit 0 (only with telegrams p0922 = 20!)	1: Command data set changeover (CDS) bit 0 is active.	-	Bl: p0810
		0: Command data set changeover (CDS) bit 0 is inactive.		
	Reserved	When p0922 = 1 or 352	-	-

STW2 (control word 2)

See function diagram [2444].

Table 10- 9 Control word 2 (STW2)

Bit	Meaning	Interconnection parameter
0	Drive data set selection DDS, bit 0	p0820[0] = r2093.0
1	Drive data set selection DDS, bit 1	p0821[0] = r2093.1
2 to 11	Reserved	-
12	Master sign-of-life bit 0	p2045 = r2050[3]
13	Master sign-of-life bit 1	
14	Master sign-of-life bit 2	
15	Master sign-of-life bit 3	

STW1_BM (control word 1, metal industry)

See function diagram [2425].

Table 10- 10 Description of STW1_BM (control word 1, metal industry)

Bit	Meaning	Interconnection parameter
0	0 = OFF (OFF1) 1 = ON	p0840[0] = r2090.0
1	0 = OFF2 (immediate pulse cancellation with switching on inhibited) 1 = No OFF2 (enable is possible)	p0844[0] = r2090.1
2	0 = OFF3 (braking along the OFF3 ramp, then pulse suppression with switching on inhibited) 1 = No OFF3 (enable is possible)	p0848[0] = r2090.2
3	0 = Inhibit operation 1 = Enable operation	p2816[0] = r2090.3
4	0 = Set ramp-function generator zero 1 = Enable ramp-function generator	p1140[0] = r2090.4
5	0 = Freeze ramp-function generator 1 = Continue ramp-function generator	p1141[0] = r2090.5
6	0 = Speed setpoint = 0 1 = Speed setpoint enable	p1142[0] = r2090.6
7	1 = Acknowledge fault	p2103[0] = r2090.7
8	Reserved	-
9	Reserved	-
10	1 = Control via PL ¹⁾	p0854[0] = r2090.10
11 to 15	Reserved ²⁾	-

¹⁾ STW1.10 must be set in order for the drive object to accept the process data (PZD).

²⁾ Interconnection is not disabled.

STW2_BM (control word 2, metal industry)

See function diagram [2426].

Table 10- 11 Description of STW1_BM (control word 1, metal industry)

Bit	Meaning	Interconnection parameter
0	Command data set selection CDS bit 0	p0810 = r2093.0
1	Reserved	-
2	Drive data set selection, CDS bit 0 ¹⁾	p0820[0] = r2093.2
3	Drive data set selection, CDS bit 1 ¹⁾	p0821[0] = r2093.3
4	Reserved	-
5	1 = Bypass ramp-function generator	p50641[0] = r2093.5
6	Reserved	-
7	1 = Speed controller integration value set	p50695[0] = r2093.7
8	1 = Enable droop	p50684[0] = r2093.8
9	1 = Enable speed controller ¹⁾	p0856[0] = r2093.9
10	Reserved ¹⁾	-
11	0 = Speed-controlled mode 1 = Torque-controlled mode	p50687[0] = r2093.11
12	Reserved ¹⁾	-
13	Reserved ¹⁾	-
14	Reserved ¹⁾	-
15	Controller sign-of-life toggle bit	p2081[15] = r2093.15

¹⁾ Interconnection is not disabled.

NSET_A (speed setpoint A (16-bit))

- Speed setpoint with a 16-bit resolution with sign bit.
- Bit 15 determines the sign of the setpoint:
 - Bit = 0 → Positive setpoint
 - Bit = 1 → Negative setpoint
- The speed is normalized via p2000.
NSET_A = 4000 hex or 16384 dec ÷ speed in p2000

NSET_B (speed setpoint B (32-bit))

- Speed setpoint with a 32-bit resolution with sign bit.
- Bit 31 determines the sign of the setpoint:
 - Bit = 0 → Positive setpoint
 - Bit = 1 → Negative setpoint
- The speed is normalized via p2000.

NSET_B = 4000 0000 hex or 1 073 741 824 dec $\hat{=}$ speed in p2000

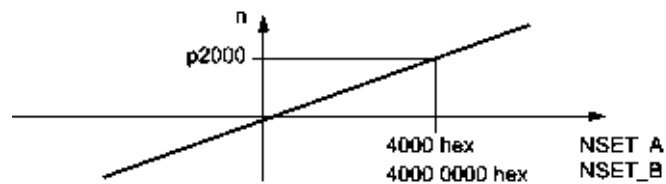


Figure 10-3 Normalization of speed

Note

Operation of motors in the field-weakening range

If the motors are to be operated in the field-weakening range > 2:1, the value of parameter p2000 must be set $\leq 1/2$ x maximum speed of the drive object.

Gn_STW (encoder n control word)

This process data belongs to the encoder interface.

A_DIGITAL CU_STW1

This process data is part of the central process data.

10.3.2.3 Description of status words and actual values

Note

The reference parameter is also specified for the relevant process data. The process data is generally normalized in accordance with parameters p2000 to r2004.

The following scalings apply:

- A temperature of 100° C corresponds to 100%
 - An electrical angle of 90° also corresponds to 100%.
-

Overview of status words and actual values

Table 10- 12 Overview of status words and actual values, see function diagram [2450]

Abbreviation	Name	Signal number	Data type ¹⁾	Interconnection parameter
ZSW1	Status word 1	2	U16	r2089[0]
ZSW2	Status word 2	4	U16	r2089[1]
NACT_A	Speed setpoint A (16-bit)	6	I16	r0063
G1_ZSW	Encoder 1 status word	10	U16	r0481[0]
G1_XIST1	Encoder 1 actual position value 1	11	U32	r0482[0]
G1_XIST2	Encoder 1 actual position value 2	12	U32	r0483[0]
G2_ZSW	Encoder 2 status word	14	U16	r0481[1]
G2_XIST1	Encoder 2 actual position value 1	15	U32	r0482[1]
G2_XIST2	Encoder 2 actual position value 2	16	U32	r0483[1]
E_DIGITAL	Digital input (16-bit)	21	U16	r2089[2]
IAIST_GLATT	Absolute actual current value, smoothed	51	I16	r0027
MIST_GLATT	Actual torque value, smoothed	53	I16	r0080
PIST_GLATT	Active power, smoothed	54	I16	r0032
NACT_A_GLATT	Actual speed value, smoothed	57	I16	r0021
MELD_NAMUR	VIK-NAMUR message bit bar	58	U16	r3113
FAULT_CODE	Fault code	301	U16	r2131
WARN_CODE	Alarm code	303	U16	r2132
ZSW1_BM	Status word 1, variant for BM	323	U16	r2089[0]
ZSW2_BM	Status word 2, variant for BM	325	U16	r2089[1]
CU_ZSW1	Status word 1 for Control Unit	501	U16	r2089[1]
¹⁾ Data type according to PROFIdrive profile V4: I16 = Integer16, I32 = Integer32, U16 = Unsigned16, U32 = Unsigned32				

ZSW1 (status word 1)

See function diagram 2452

Table 10- 13 Description of status word 1 (ZSW1)

Bit	Meaning	Explanation		Parameter
0	Ready for switching on	1	Ready for switching on Power supply on, electronics initialized, line contactor released if necessary, pulses inhibited	BO: r0899.0
		0	Not ready for switching on	
1	Ready for operation	1	Ready for operation Line voltage applied, i.e. line contactor closed (if present), field being built up	BO: r0899.1
		0	Not ready for operation Reason: No ON command has been issued.	

Bit	Meaning	Explanation		Parameter
2	Operation enabled	1	Operation enabled Enable electronics and pulses, then ramp up to active setpoint	BO: r0899.2
		0	Operation disabled	
3	Fault active	1	Fault active The drive is faulty and, therefore, out of service. The drive switches to "switching on inhibited" once the fault has been acknowledged and the cause has been remedied. The active faults are stored in the fault buffer.	BO: r2139.3
		0	No fault active There are no faults in the fault buffer.	
4	Coasting down not active (OFF2 inactive)	1	Coasting down (OFF2) not active	BO: r0899.4
		0	Coasting down active (OFF2) An OFF2 command is active.	
5	Quick stop not active (OFF3 inactive)	1	Quick stop (OFF3) not active	BO: r0899.5
		0	Quick stop active (OFF3) An OFF3 command is active.	
6	Switching on inhibited active	1	Switching on inhibited Switching back on is only possible by means of OFF1 and then ON.	BO: r0899.6
		0	No switching on inhibited Switching on is possible.	
7	Alarm active	1	Alarm active The drive is operational again. No acknowledgement necessary. The active alarms are stored in the alarm buffer.	BO: r2139.7
		0	No alarm active No alarms in the alarm buffer.	
8	Speed setpoint/actual value deviation in tolerance	1	Setpoint/actual value monitoring in tolerance band Actual value within tolerance band; dynamic overshoot or undershoot permitted for $t < t_{max}$, t_{max} can be parameterized. See FP8020 and FP2534	BO: r2197.7
		0	Setpoint/actual value monitoring not within tolerance band	
9	Control request "1" is always present	1	The automation system is requested to assume control.	BO: r0899.9
		0	Control is only possible at the unit itself	
10	n setpoint reached or exceeded	1	n setpoint reached or exceeded	BO: r2199.1
		0	n setpoint not reached	
<p>Note: The message is parameterized as follows: p50373 (threshold value), p50374 (hysteresis) See FP8020 and FP2537</p>				
11	I or M limit not reached (when p0922 = 1 or 352)	1	I or M limit not reached	BO: r1407.7 (inverted)
		0	I or M limit reached or exceeded	
	I or M limit not reached (when p0922 = 20)	1	I or M limit not reached	BO: 0056.13 (inverted)
		0	I or M limit reached or exceeded	
12	Holding brake released (when p0922 = 1 or 352)	1	Holding brake is released	BO: r0899.12
		0	Holding brake is closed	

10.3 Communication according to PROFIdrive

Bit	Meaning	Explanation		Parameter
	Reserved (when p0922 = 20)			
13	Reserved			
14	Motor rotates forward (n_act ≥ 0)	1	Motor rotates forward (n_act ≥ 0)	BO: r2197.3
		0	Motor does not rotate forward (n_act < 0)	
15	Reserved (when p0922 = 1 or 352)			
	CDS display (when p0922 = 20)	1	CDS selection bit 0 selected	BO: r0836.0
	0	CDS selection bit 0 not selected		

ZSW2 (status word 2)

See function diagram [2454].

Table 10- 14 Status word 2 (ZSW2)

Bit	Meaning	Interconnection parameter
0	1 = Drive data set selection DDS effective, bit 0	p2081[0] = r0051.0
1	1 = Drive data set selection DDS effective, bit 1	p2081[1] = r0051.1
2	Reserved	-
3	Reserved	-
4	Reserved	-
5	1 = Alarm class bit 0	p2081[5] = r2139.11
6	1 = Alarm class bit 1	p2081[6] = r2139.12
7	Reserved	-
8	Reserved	-
9	Reserved	-
10	1 = Enable pulses	p2081[10] = r0899.11
11 to 15	Reserved	-

ZSW1_BM (status word 1, metal industry)

See function diagram [2428].

Table 10- 15 Status word 1, metal industry (ZSW1 BM) ¹⁾

Bit	Meaning	Interconnection parameter
0	1 = Ready to switch on	p2080[0] = r0899.0
1	1 = Ready	p2080[1] = r0899.1
2	1 = Enable operation 1	p2080[2] = r2811.0
3	1 = Fault present	p2080[3] = r2139.3
4	0 = Coast to stop active (OFF2)	p2080[4] = r0899.4
5	0 = Quick stop active (OFF3)	p2080[5] = r0899.5

Bit	Meaning	Interconnection parameter
6	1 = Switching on inhibited active	p2080[6] = r0899.6
7	1 = Alarm present	p2080[7] = r2139.7
8	1 = Speed setpoint/actual-value deviation in tolerance	p2080[8] = r2197.7
9	1 = Control requested ²⁾	p2080[9] = r0899.9
10	1 = n comparison value reached or exceeded	p2080[10] = r2199.1
11	1 = Torque limit not reached	p2080[11] = r1407.7
12	1 = Open holding brake	p2080[12] = r0899.12
13 to 15	Reserved ³⁾	-

1) ZSW1 BM is formed via binector-connector converter (BI: p2080[0...15], inversion: p2088[0]...p2088[0].15).

2) The drive object is ready for acceptance.

3) Interconnection is not disabled.

ZSW2_BM (status word 2, metal industry)

See function diagram [2429].

Table 10- 16 Status word 2, metal industry (ZSW2 BM)

Bit	Meaning	Interconnection parameter
0 to 4	Reserved ¹⁾	-
5	1 = Alarm class bit 0	p2081[5] = r2139.11
6	1 = Alarm class bit 1	p2081[6] = r2139.12
7	Reserved	-
8	Reserved	-
9	1 = Speed setpoint limited	p2081[9] = r1407.11
10	1 = Upper torque limit reached	p2081[10] = r1407.8
11	1 = Lower torque limit reached	p2081[11] = r1407.9
12	1 = Encoderless operation because of fault	p2081[12] = r1407.13
13	1 = SS1 delay time active in drive	p2081[13] = r53110.1
14	STO active in drive	p2081[14] = r53110.0
15	Controller sign of life toggle bit	p2081[15] = r2093.15

1) Interconnection is not disabled.

NACT_A (speed setpoint A (16-bit))

- Actual speed value with 16-bit resolution.
- The speed actual value is normalized in the same way as the setpoint (see NSET_A).

NACT_B (speed setpoint B (32-bit))

- Actual speed value with 32-bit resolution.
- The speed actual value is normalized in the same way as the setpoint (see NSET_B).

Gn_ZSW (encoder n status word)

Gn_XIST1 (encoder n actual position value 1)

Gn_XIST2 (encoder n actual position value 2)

This process data belongs to the encoder interface.

**E_DIGITAL
CU_ZSW1**

This process data is part of the central process data.

IAIST_GLATT

The absolute current actual value smoothed with p0045 is displayed.

MIST_GLATT

The actual torque value smoothed with p0045 is displayed.

PIST_GLATT

The active power smoothed with p0045 is displayed.

NACT_A_GLATT

The actual speed value smoothed with p0045 is displayed.

MELD_NAMUR

Display of the NAMUR message bit bar.

WARN_CODE

Display of the alarm code (see function diagram 8065).

FAULT_CODE

Display of the fault code (see function diagram 8060).

10.3.2.4 Control and status words for encoders

The process data for the encoders is available in various telegrams. For example, telegram 3 is provided for speed control with 1 position encoder and transmits the process data of encoder 1.

The following process data is available for the encoders:

- Gn_STW encoder n control word (n = 1, 2)
- Gn_ZSW encoder n status word
- Gn_XIST1 encoder n act. pos. value 1
- Gn_XIST2 encoder n act. pos. value 2

Note

Encoder 1: Motor encoder

Encoder 2: Direct measuring system

Example of encoder interface

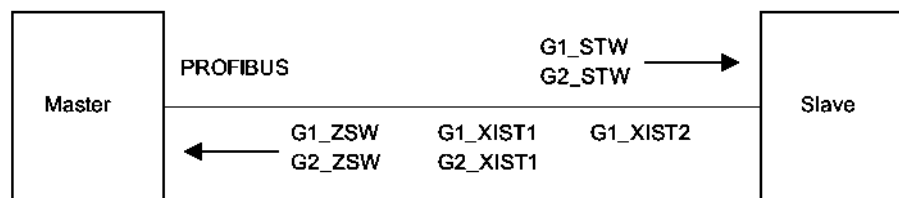


Figure 10-4 Example of encoder interface (encoder-1: Two actual values, encoder -2: One actual value)

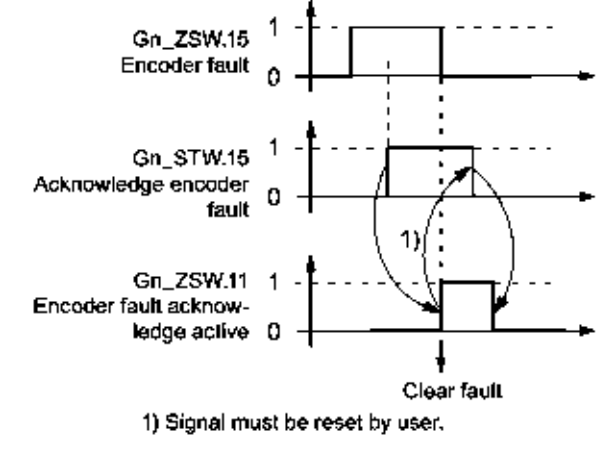
Encoder n control word (Gn_STW, n = 1, 2)

The encoder control word controls the encoder functions.

See function diagram [4720]

Table 10- 17 Description of the individual signals in Gn_STW

Bit	Name	Signal status, description	
0 1 2 3	Find reference mark or flying measurement	Functions	
		If bit 7 = 0, then find reference mark request applies:	
		Bit	Meaning
		0	Function 1 Reference mark 1
		1	Function 2 Reference mark 2
		2	Function 3 Reference mark 3
		3	Function 4 Reference mark 4
		If bit 7 = 1, then find flying measurement request applies:	
		0	Function 1 Probe 1 rising edge
		1	Function 2 Probe 1 falling edge
		2	Function 3 Probe 2 rising edge
		3	Function 4 Probe 2 falling edge
		Note:	
		• Bit x = 1 Bit x = 0	Request function Do not request function
<ul style="list-style-type: none"> The following applies if more than one function is activated: The values for all functions cannot be read until each activated function has terminated and this has been confirmed in the corresponding status bit (ZSW.0/.1/.2/.3 "0" signal again). Reference mark search It is possible to search for a reference mark. External zero mark Flying measurement Positive and negative edges can be simultaneously selected. 			
4 5 6	Command	Bit 6, 5, 4 Meaning	
		000 No function	
		001 Activate selected function	
		010 Read generated value	
		011 Cancel function	
(x: Function selected using bit 0 to 3)			
7	Mode	1 Not permitted	
		0 Reference mark search (fine resolution via p0418)	
0... 12	Reserved	-	
13	Request cyclic absolute value	1 Request cyclic transfer of the absolute actual position value in Gn_XIST2. Used for (e.g.): <ul style="list-style-type: none"> Additional measuring system monitoring Synchronization during ramp-up 	
		0 No request	
14	Parking encoder	1 Request parking encoder (handshake with Gn_ZSW bit 14)	

Bit	Name	Signal status, description	
		0	No request
15	Acknowledge encoder error	0/1	Request to reset encoder errors
		 <p>1) Signal must be reset by user.</p>	
		0	No request

Example: Reference mark search

Assumptions for the example:

- Distance-coded reference mark
- Two reference marks (function 1/function 2)
- Position control with encoder 1

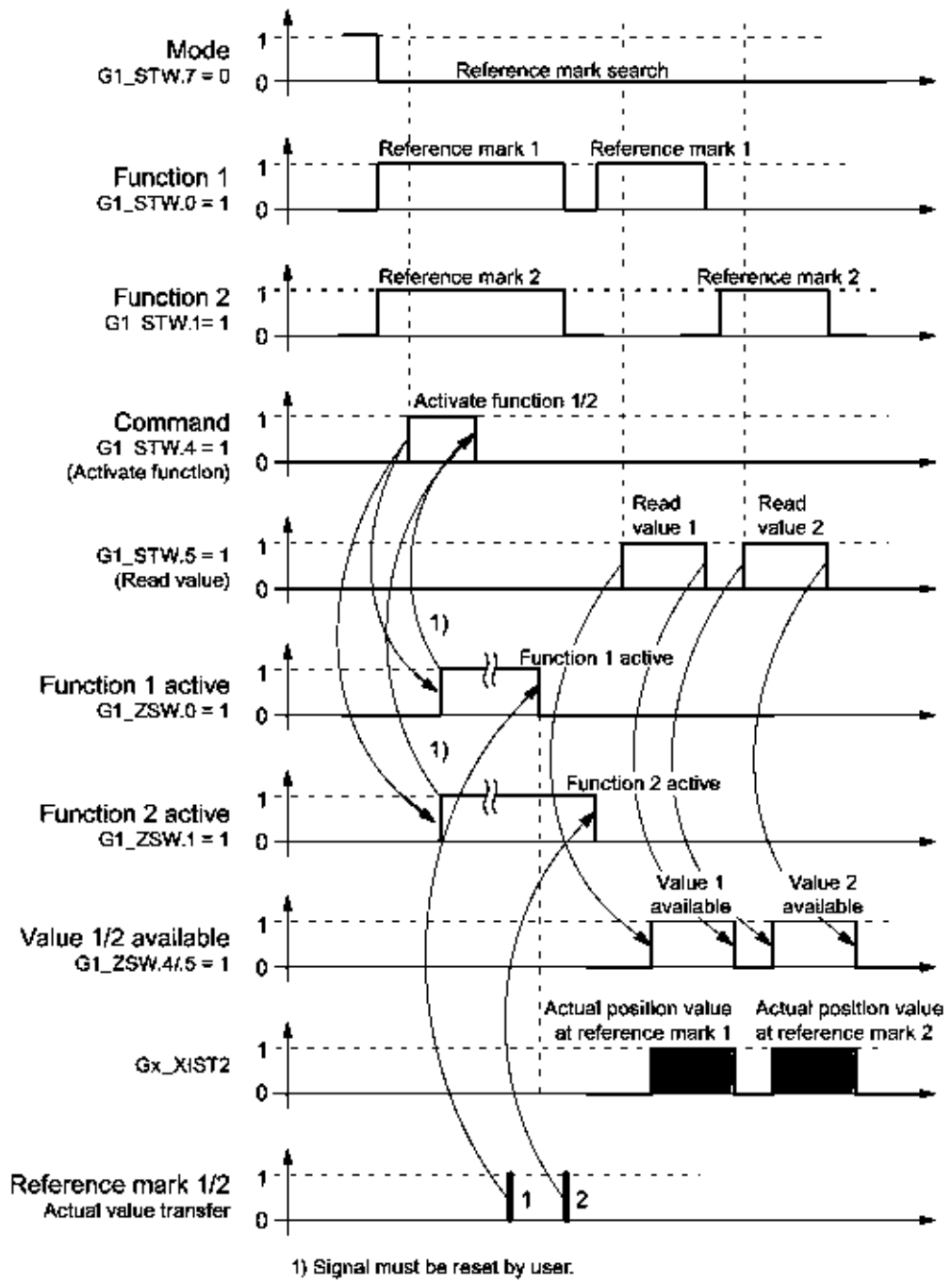


Figure 10-5 Sequence chart for "Reference mark search"

Encoder 2 control word (G2_STW)

- See G1_STW

Encoder n status word (Gn_ZSW, n = 1, 2)

The encoder status word is used to display states, errors and acknowledgements.

See function diagram [4730]

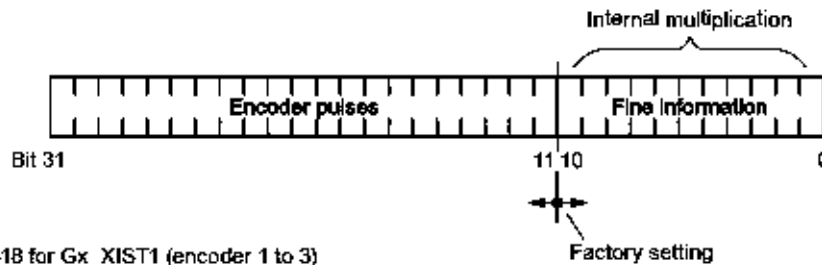
Table 10- 18 Description of the individual signals in Gn_ZSW

Bit	Name		Signal status, description		
0 1 2 3	Reference mark search	Status: Function 1 - 4 active	Valid for "Reference mark search" and "Flying measurement"		
			Bit	Meaning	
			0	Function 1	Reference mark 1
			1	Function 2	Reference mark 2
			2	Function 3	Reference mark 3
			3	Function 4	Reference mark 4
Note:			<ul style="list-style-type: none"> Bit x = 1 function active Bit x = 0 function inactive 		
4 5 6 7		Status: Value 1 - 4 available	Applies to reference mark search		
			Bit	Meaning	
			4	Value 1	Reference mark 1 Probe 1 rising edge
			5	Value 2	Reserved
			6	Value 3	Reserved
			7	Value 4	Reserved
Note:			<ul style="list-style-type: none"> Bit x = 1 value available Bit x = 0 value not available Only one value can be fetched at a time. <p>Reason: There is only one common status word Gn_XIST2 to read the values.</p>		
8		Reserved	1	Reserved	
			0	Reserved	
9	Reserved		1	Reserved	
			0	Reserved	
10	Reserved		-		
11	Encoder fault acknowledge active		1	Encoder fault acknowledge active	
			Note: See at STW.15 (acknowledge encoder error)		
			0	No acknowledgement active	

Bit	Name	Signal status, description	
12	Reserved	-	
13	Transmit absolute value cyclically	1	Acknowledgement for Gn_STW.13 (request absolute value cyclically) Note: Cyclic transmission of the absolute value can be interrupted by a function with higher priority. • See Gn_XIST2
		0	No acknowledgement
14	Parking encoder	1	Parking encoder active (i.e. parking encoder switched off)
		0	No active parking encoder
15	Encoder fault	1	Error from encoder or actual-value sensing is active. Note: The error code is stored in Gn_XIST2.
		0	No error is active.

Encoder 1 actual position value 1 (G1_XIST1)

- Resolution: Encoder lines • 2n
n: Fine resolution, no. of bits for internal multiplication
The fine resolution is specified via p0418.
- Used to transfer the cyclic actual position value to the controller.
- The transferred value is a relative, free-running actual value.
- Any overflows must be evaluated by the master controller.



p0418 for Gx_XIST1 (encoder 1 to 3)

Figure 10-6 Subdivision and settings for Gx_XIST1

- Encoder lines of incremental encoder
 - For encoders with sin/cos 1Vpp:
Encoder lines = no. of sinusoidal signal periods
- After power-up: Gx_XIST1 = 0
- An overflow in Gx_XIST1 must be viewed by the master controller.
- There is no modulo interpretation of Gx_XIST1 in the drive.

Encoder 1 actual position value 2 (G1_XIST2)

Different values are entered in Gx_XIST2 depending on the function.

- Priorities for Gx_XIST2

The following priorities should be considered for values in Gx_XIST2:

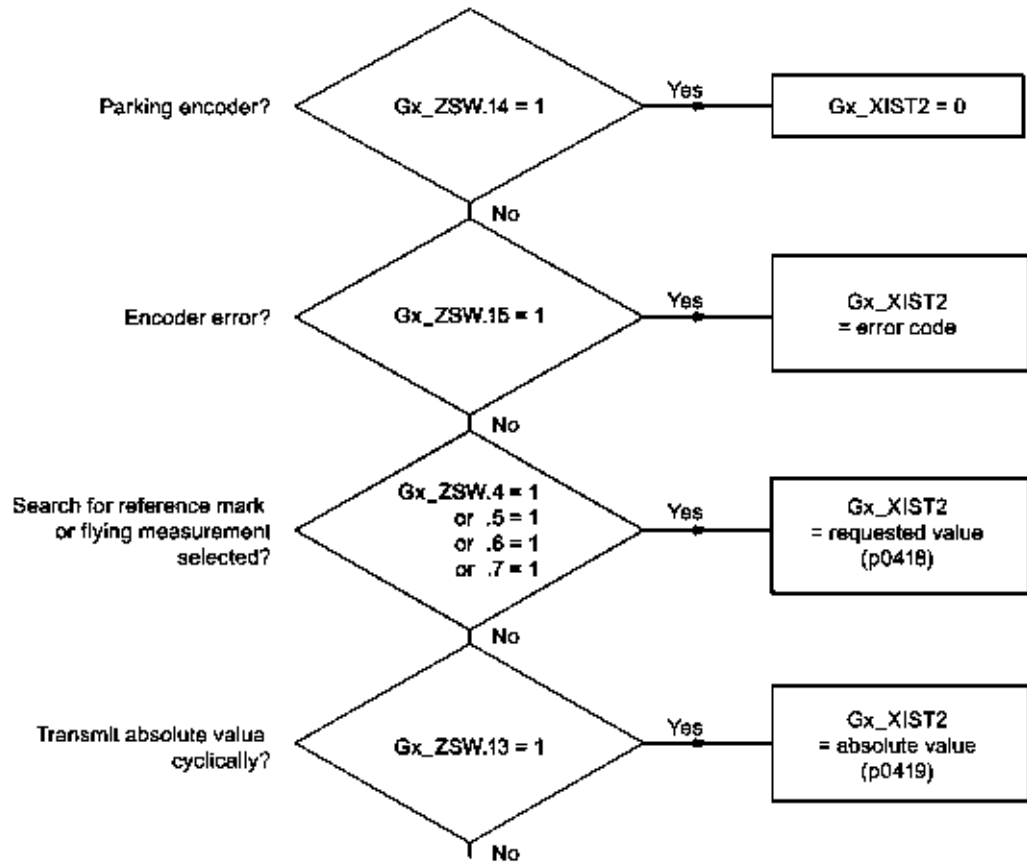


Figure 10-7 Priorities for functions and Gx_XIST2

- Resolution: Encoder pulses • 2n
n: Fine resolution, no. of bits for internal multiplication

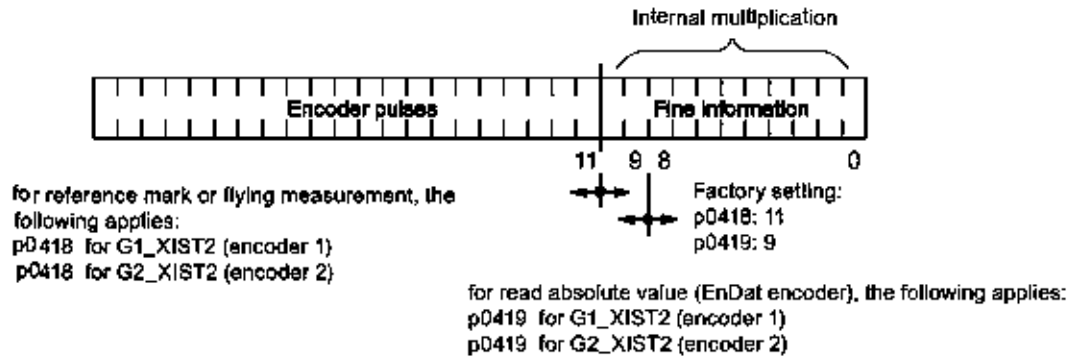


Figure 10-8 Subdivision and settings for Gx_XIST2

- Encoder lines of incremental encoder
 - For encoders with sin/cos 1Vpp:
Encoder lines = no. of sinusoidal signal periods

Error code in Gn_XIST2

Table 10- 19 Error code in Gn_XIST2

n_XIST2	Meaning	Possible causes / description
1	Encoder fault	One or more existing encoder faults. Detailed information in accordance with drive messages.
2	Zero mark monitoring	–
3	Abort parking sensor	<ul style="list-style-type: none"> • Parking drive object already selected.
4	Abort find reference mark	<ul style="list-style-type: none"> • A fault exists (Gn_ZSW.15 = 1) • Encoder has no zero mark (reference mark) • Reference mark 2, 3 or 4 is requested • Switchover to "Flying measurement" during search for reference mark • Command "Read value x" set during search for reference mark • Inconsistent position measured value with distance-coded reference marks.
5	Abort retrieve reference value	<ul style="list-style-type: none"> • More than four values requested • No value requested • Requested value not available
6	Abort flying measurement	<ul style="list-style-type: none"> • No probe configured p0488, p0489 • Switch over to "reference mark search" during flying measurement • Command "Read value x" set during flying measurement

n_XIST2	Meaning	Possible causes / description
7	Abort get measured value	<ul style="list-style-type: none"> • More than one value requested • No value requested • Requested value not available • Parking encoder active • Parking drive object active
8	Abort absolute value transmission on	<ul style="list-style-type: none"> • Absolute encoder not available • Alarm bit absolute value protocol set
3841	Function not supported	–

Encoder 2 status word (G2_ZSW)

- See Gn_ZSW

Encoder 2 actual position value 1 (G2_XIST1)

- See Gn_XIST1

Encoder 2 actual position value 2 (G2_XIST2)

- See Gn_XIST2

Function diagrams (see the SINAMICS DCM List Manual)

- 4720 Encoder evaluation - Encoder interface, receive signals, encoders 1 ... 2
- 4730 Encoder evaluation - Encoder interface, send signals, encoders 1 ... 2
- 4735 Encoder evaluation - Reference mark search with external zero mark, encoders 1 ... 2

Overview of important parameters (see SINAMICS DCM List Manual)

Adjustable parameter drive, CU_S parameter is marked

- p0418[0...15] Fine resolution Gx_XIST1 (in bits)
- p0419[0...15] Fine resolution absolute value Gx_XIST2 (in bits)
- p0480[0...2] CI: Encoder control word Gn_STW signal source

Display parameters drive

- r0481[0...2] CO: Encoder status word Gn_ZSW
- r0482[0...2] CO: Encoder actual position value Gn_XIST1
- r0483[0...2] CO: Encoder actual position value Gn_XIST2
- r0487[0...2] CO: Diagnostic encoder control word Gn_STW
- r0979[0...30] PROFIdrive encoder format

10.3.2.5 Extended encoder evaluation

The standard parameter r0979[0...30] describes the assignment from the telegram configuration view.

Index 1 describes the encoder type. Subindex 1 provides further properties of the encoder:

Table 10- 20 r0979 subindex 1

Bit	Signal	Description
0	=0 =1	Rotating encoder Linear encoder
1	=0 =1	No fine resolution possible Fine resolution possible
2	=0 =1	64-bit not possible Reserved
3 - 28		In accordance with the PROFIdrive profile definition
29	=0 =1	Encoder switchable Encoder not switchable
30	=0 =1	Interface information still to be received No further interface information will be received
31	=0 =1	Data in the substructure is invalid Data in the substructure is valid

10.3.2.6 Central control and status words

Description

The central process data exists for different telegrams. For example, telegram 390 is used for transferring digital inputs and digital outputs.

The following central process data is available:

Receive signals:

- CU_STW1 Control Unit control word
- A_DIGITAL digital outputs

Transmit signals:

- CU_ZSW1 Control Unit status word
- E_DIGITAL digital inputs
- E_DIGITAL_1 digital inputs

CU_STW1 (control word for Control Unit, CU)

See function diagram [2495].

Table 10- 21 Description of CU_STW1 (control word for Control Unit)

Bit	Meaning	Remarks		Interconnection parameter
0	Reserved	-	-	-
1	RTC PING	-	This signal is used to set the UTC time using the PING event.	p3104 = r2090.1
2...6	Reserved	-	-	-
7	Acknowledge faults	-	Acknowledge faults	p2103[0] = r2090.7
8...9	Reserved	-	-	-
10	Control transferred	0	The CU has control Once the propagated faults have been acknowledged at all drive objects, the fault is also implicitly acknowledged at drive object 1 (DO1 \triangleq CU).	p3116 = r2090.10
		1	External control has control The propagated faults must be acknowledged at all drive objects and must also be explicitly acknowledged at drive object 1 (DO1 \triangleq CU).	
11...15	Reserved	-	-	-

A_DIGITAL (digital outputs)

This process data can be used to control the Control Unit outputs.
See function diagram [2497]

Table 10- 22 Description of A_DIGITAL (digital outputs)

Bit	Meaning	Interconnection parameter
0	Digital output 0 (DO 0)	p50771[0] = r2091.0
1	Digital output 1 (DO 1)	p50772[0] = r2091.1
2	Digital output 2 (DO 2)	p50773[0] = r2091.2
3	Digital output 3 (DO 3)	p50774[0] = r2091.3
4...15	Reserved	-

CU_ZSW1 (status word of the DO1 telegram (telegrams 39x))

See function diagram [2496].

Table 10- 23 Description of CU_ZSW1 (status word of the CU)

Bit	Meaning	Interconnection parameter
0...2	Reserved	-
3	1 = Fault present. The active faults are stored in the fault buffer. 0 = No fault present. There are no faults in the fault buffer.	p2081[3] = r2139.3
4...6	Reserved	-
7	1 = Alarm present. The active alarms are stored in the alarm buffer. 0 = No alarm present. There are no alarms in the alarm buffer.	p2081[7] = r2139.7
8	1 = Synchronize system time.	p2081[8] = r0899.8
9	1 = No group alarm present.	p2081[9] = r3114.9
10	1 = No group fault present.	p2081[10] = r3114.10
11	1 = No safety group alarm present.	p2081[11] = r3114.11
12...15	Reserved	-

E_DIGITAL (digital inputs)

See function diagram [2498].

Table 10- 24 Description of E_DIGITAL (digital inputs)

Bit	Meaning	Interconnection parameter ¹⁾
0	CUD digital input 4 (DI 4) ²⁾	p2082[0] = r53010.8
1	CUD digital input 5 (DI 5) ²⁾	p2082[1] = r53010.10
2	CUD digital input 6 (DI 6) ²⁾	p2082[2] = r53010.12
3	CUD digital input 7 (DI 7) ²⁾	p2082[3] = r53010.14
4...7	Reserved	-
8	CUD digital input 0 (DI 0)	p2082[8] = r53010.0
9	CUD digital input 1 (DI 1)	p2082[9] = r53010.2
10	CUD digital input 2 (DI 2)	p2082[10] = r53010.4
11	CUD digital input 3 (DI 3)	p2082[11] = r53010.6
12...15	Reserved	-

¹⁾ Default can be freely changed.

²⁾ Can be set via p50789[0...3] as digital input or digital output.

10.3.2.7 Diagnostics channels for cyclic communication

Alarms and faults can be transferred via two independent diagnostic channels DS0 and DS1. The information transferred is saved in parameters r0945[8] for faults and in r2122[8] for alarms. This allows the alarms and faults from a SINAMICS drive to be integrated into the system diagnostics of a higher-level controller and automatically displayed on an HMI. This function is certified for PROFINET and PROFIdrive.

The function is activated via the appropriate parameterization in the configuration tool being used, e.g. using HW Config or TIA Portal. The functionality is then transferred at the next power up to drive.

The messages of the diagnostic channels depend on the bus system being used for data transfer.

Table 10- 25 Messages in relation to bus system

		PROFIdrive error classes		SINAMICS messages		Fault/alarm
		Faults	Alarms	Faults	Alarms	
PN	GSD	Yes	Yes	No	No	Is detected and localized
	TIA	Yes	Yes	Yes	Yes	Is detected and localized, allows problems to be directly resolved

- The alarms and faults correspond to the error classes defined in the PROFIdrive profile.
- You can select whether alarms and faults are transferred to a higher-level controller either as SINAMICS messages or using the error classes of the PROFIdrive profile.
- The alarms and faults can be mapped with standard resources (e.g. GSDML)
- The alarms or faults are logically and locally signaled:
 - With alarm or fault number
 - With assignment of the drive object, message value and hardware component assignment
 - In a user-friendly way with plain message texts
 - Display with user-defined names for drive objects and components
 - SINAMICS transfers the messages in the order that they have occurred
 - SINAMICS does not record any time stamps
 - The time stamps are generated from the higher-level controller when the messages are received
 - To transfer the SINAMICS messages, the extended channel diagnostics is used
- The existing mechanisms of TIA and S7 Classic can be used.
- The messages are compatible with PROFINET controllers.
- Alarms or faults are acknowledged using the already known acknowledgment routes.
- Transfer possible via interface IF1 and/or IF2

Note

Constraint

If Shared device is activated, only one of the controllers can receive diagnoses.

Data transfer for cyclic communication, the following applies:

- For PROFINET, there is a unique assignment of the drive objects to the slots of the cyclic communication. The diagnostics is issued at the MAP/PAP-submodule.

Data transfer for acyclic communication, the following applies:

- There is no slot or subslot configured at which diagnostics can be issued.
- Faults or alarms that occur are routed along the BICO connections to the drive objects.

Display of error classes according to PROFIdrive:

- For transfer with PROFINET, the PROFIdrive error class and the extended channel diagnostics.

10.3.3 Parallel operation of communication interfaces

Cyclic process data (setpoints / actual values) are processed using interfaces IF1 and IF2. The following interfaces are used:

- Onboard interfaces of the Control Unit for PROFIBUS DP
- An additional interface (COMM - BOARD) for PROFINET or Ethernet/IP (CBE20) for insertion in the Control Unit as an option.

Parameter p8839 is used to set the parallel use of the Control Unit onboard interfaces and COMM - BOARD in the SINAMICS system. The functionality is assigned to interfaces IF1 and IF2 using indices.

For example, the following applications are possible:

- PROFIBUS DP for control and PROFINET to acquire actual values / measured values of the drive
- PROFIBUS DP for control and PROFINET for engineering only
- Mixed mode with two masters (the first for logic and coordination, and the second for technology)
- SINAMICS Link via IF1 (CBE20); PROFIBUS (only DO Drive, max. 16 PZD) IF2
- Operation of redundant communication interfaces

Assignment of communication interfaces to cyclic interfaces

The two cyclic interfaces for the setpoints and actual values differ by the parameter ranges used (BICO technology, etc.) and the functions that can be used. The interfaces are designated as cyclic interface 1 (IF1) and cyclic interface 2 (IF2).

With the factory setting p8839 = 99, the communication interfaces are permanently assigned one of the cyclic interfaces (IF1, IF2), depending on the communication system, e.g. PROFIBUS DP, PROFINET.

The assignment to the cyclic interfaces can essentially be freely defined by user parameterization for the parallel operation of the communication interfaces.

Properties of the cyclic interfaces IF1 and IF2

The following table shows the different features of the two cyclic interfaces:

Table 10- 26 Properties of the cyclic interfaces IF1 and IF2

Feature	IF1	IF2
Setpoint (BICO signal source)	r2050, r2060	r8850, r8860
Actual value (BICO signal sink)	p2051, p2061	p8851, p8861
PROFIdrive conformance	Yes	No
PROFIdrive telegram selection (p0922)	Yes	No
Isochronous mode possible (p8815[0])	No	No
PROFIsafe possible (p8815[1])	No	No
Direct data exchange (PROFIBUS only)	Yes	Yes
List of drive objects (p0978)	Yes	Yes
Max. PZD (16-bit) setpoint / actual value DC_CTRL	64 / 64	64 / 64
Max. PZD (16-bit) setpoint / actual value encoder	4 / 12	4 / 12
Max. PZD (16-bit) setpoint / actual value TM31	5 / 5	5 / 5
Max. PZD (16-bit) setpoint / actual value TM15DI_DO	5 / 5	5 / 5
Max. PZD (16-bit) setpoint / actual value TM150	5 / 5	5 / 5
Max. PZD (16-bit) setpoint / actual value CU (device)	20 / 25	0 / 0

Table 10- 27 Implicit assignment of hardware to cyclic interfaces for p8839[0] = p8839[1] = 99

Plugged hardware interface	IF1	IF2
No option, only use Control Unit onboard interface (PROFIBUS, PROFINET or USS)	Control Unit onboard	--
CUD with CBE20 (optional PROFINET interface)	COMM BOARD	Control Unit onboard PROFIBUS or Control Unit onboard USS

Parameter p8839[0,1] is used to set the parallel operation of the hardware interfaces and the assignment to the cyclic interfaces IF1 and IF2 for the Control Unit drive object.

The object sequence for process data exchange via IF2 depends on the object sequence from IF1; see "List of drive objects" (p0978).

The factory setting of p8839[0,1] =99 enables the implicit assignment (see table above).

An alarm is generated in case of invalid or inconsistent parameterization of the assignment.

Parameters for IF2

The following parameters are available in order to optimize the IF2 for a PROFIBUS or PROFINET interface:

- Receive and send process data:
r8850, p8851, r8853, r8860, p8861, r8863¹⁾
- Diagnostic parameters:
r8874, r8875, r8876¹⁾
- Binector-connector converters:
p8880, p8881, p8882, p8883, p8884, r8889¹⁾
- Connector-binector converters:
r8894, r8895, p8898, p8899¹⁾

¹⁾ Significance of 88xx identical to 20xx

Note

Using the HW Config configuration tool, a PROFIBUS/PROFINET slave with two interfaces cannot be shown. In parallel operation, this is the reason that SINAMICS appears twice in the project or in two projects, although physically it is just one device.

Parameter

p8839	PZD Interface hardware assignment
Description:	Assigning the hardware for cyclic communication via PZD interface 1 and interface 2.
Values:	0: Inactive
	1: Control Unit onboard
	2: COMM BOARD
	99: Automatic

For p8839, the following rules apply:

- The setting of p8839 applies for all drive objects of a Control Unit (device parameter).
- For the setting p8839[0] = 99 and p8839[1] = 99 (automatic assignment, factory setting), the hardware used is automatically assigned to interfaces IF1 and IF2. Both indices must be selected so that the automatic assignment is activated. If both indices are not selected, then an alarm is output and the setting p8839[x] = 99 is treated just like 'inactive'.

- An alarm is issued if the same hardware (Control Unit onboard or COMM BOARD) is selected in p8839[0] and p8839[1]. Then the setting of p8839[0] is valid, and the setting of p8839[1] is treated just like 'inactive'.
- If p8839[x] is set to 2, and the COMM BOARD is missing/defective, then the corresponding interface is not automatically supplied from the Control Unit onboard interface. Message A08550 is output instead.

Overview of important parameters (see SINAMICS DCM List Manual)

- p0922 IF1 PROFIdrive PZD telegram selection
- p0978[0...24] List of drive objects
- p8815[0...1] IF1/IF2 PZD functionality selection
- p8839[0...1] PZD Interface hardware assignment

10.3.4 Acyclic communication

10.3.4.1 General information about acyclic communication

With acyclic communication, as opposed to cyclic communication, data transfer takes place only when an explicit request is made (e.g. in order to read and write parameters).

The "Read data record" and "Write data record" services are available for acyclic communication.

The following options are available for reading and writing parameters:

- S7 protocol
 - This protocol uses the STARTER commissioning tool, for example, in online mode via PROFIBUS.
- PROFIdrive parameter channel with the following data sets:
 - PROFIBUS: Data block 47 (0x002F)
 - The DPV1 services are available for master class 1 and class 2.
 - PROFINET: Data block 47 and 0xB02F at global access, data set 0xB02E as local access

Note

Please refer to the following documentation for a detailed description of acyclic communication:

Reference: PROFIdrive Profile V4.1, May 2006, order no.: 3.172

Note

Addressing

- PROFIBUS DP:
The addressing is carried out via the logical address or the diagnostics address.
- PROFINET IO:
The addressing is only undertaken using a diagnostics address which is assigned to a module as of slot 1. Parameters cannot be accessed via slot 0.

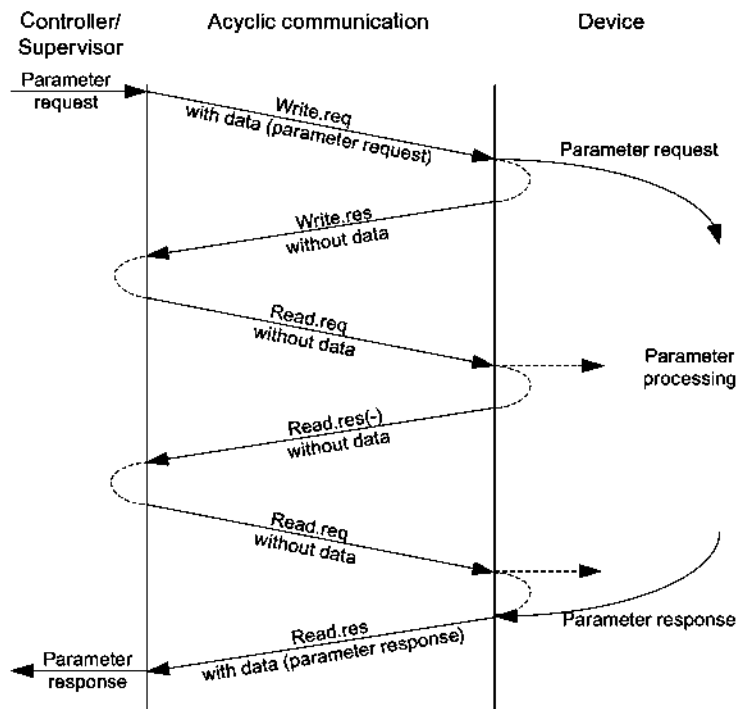


Figure 10-9 Reading and writing data

Properties of the parameter channel

- One 16-bit address each for parameter number and subindex.
- Concurrent access by several PROFIBUS masters (master class 2) or PROFINET IO supervisor (e.g. commissioning tool).
- Transfer of different parameters in one access (multiple parameter request).
- Transfer of complete arrays or part of an array possible.
- Only one parameter request is processed at a time (no pipelining).
- A parameter request/response must fit into a data set (max. 240 bytes).
- The task or response header are user data.

10.3.4.2 Structure of orders and responses

Structure of parameter request and parameter response

Table 10- 28 Parameter request

	Parameter request			Offset	
Values for write access only	Request header	Request reference	Request ID	0	
		Axis	Number of parameters	2	
	1st parameter address	Attribute	Number of elements	4	
		Parameter number		6	
		Subindex		8	
	...				
	nth parameter address	Attribute	Number of elements		
		Parameter number			
		Subindex			
	1st parameter value(s)	Format	Number of values		
		Values			
		...			
	...				
	nth parameter value(s)	Format	Number of values		
Values					
...					

Table 10- 29 Parameter response

	Parameter response			Offset	
Values for read access only Error values for negative response only	Response header	Request reference mirrored	Response ID	0	
		Axis mirrored	Number of parameters	2	
	1st parameter value(s)	Format	Number of values	4	
		Values or error values		6	
		...			
	...				
	nth parameter value(s)	Format	Number of values		
		Values or error values			
		...			

Description of fields in DPV1 parameter request and response

Table 10- 30 Fields

Field	Data type	Values	Remark
Request reference	Unsigned8	0x01 ... 0xFF	
	Unique identification of the request/response pair for the master. The master changes the request reference with each new request. The slave mirrors the request reference in its response.		
Request ID	Unsigned8	0x01 0x02	Read request Write request
	Specifies the type of request. In the case of a write request, the changes are made in a volatile memory (RAM). A save operation is needed in order to transfer the modified data to the non-volatile memory (p0971, p0977).		
Response ID	Unsigned8	0x01 0x02 0x81 0x82	Read request (+) Write request (+) Read request (-) Write request (-)
	Mirrors the request identifier and specifies whether request execution was positive or negative. Negative means: Cannot execute part or all of request. The error values are transferred instead of the values for each subresponse.		
Drive object number	Unsigned8	0x00 ... 0xFF	Number
	Specification of the drive object number for a drive unit with more than one drive object. Different drive objects with separate parameter number ranges can be accessed over the same DPV1 connection.		
Number of parameters	Unsigned8	0x01 ... 0x27	No. 1 ... 39 Limited by DPV1 telegram length
	Defines the number of adjoining areas for the parameter address and/or parameter value for multi-parameter requests. The number of parameters = 1 for single requests.		
Attribute	Unsigned8	0x10 0x20 0x30	Value Description Text (not implemented)
	Type of parameter element accessed.		
Number of elements	Unsigned8	0x00 0x01 ... 0x75	Special function No. 1 ... 117 Limited by DPV1 telegram length
	Number of array elements accessed.		
Parameter number	Unsigned16	0x0001 ... 0xFFFF	No. 1 ... 65535
	Addresses the parameter to be accessed.		
Subindex	Unsigned16	0x0000 ... 0xFFFF	No. 0 ... 65535
	Addresses the first array element of the parameter to be accessed.		

Field	Data type	Values	Remark
Format	Unsigned8	0x02 0x03 0x04 0x05 0x06 0x07 0x08 Other values	Data type integer8 Data type integer16 Data type integer32 Data type unsigned8 Data type unsigned16 Data type unsigned32 Data type floating point See PROFIdrive profile V3.1
		0x40 0x41 0x42 0x43 0x44	Zero (without values as a positive subresponse to a write request) Byte Word Double word Error
The format and number specify the adjoining space containing values in the telegram. For write access, it is preferable to specify data types according to the PROFIdrive profile. Bytes, words and double words are also possible as a substitute.			
Number of values	Unsigned8	0x00 ... 0xEA	No. 0 ... 234 Limited by DPV1 telegram length
	Specifies the number of subsequent values.		
Error values	Unsigned16	0x0000 ... 0x00FF	Significance of the error values → refer to the following table "Error values in the DPV1 parameter responses"
	The error values in the event of a negative response. If the values make up an odd number of bytes, a zero byte is attached. This ensures the integrity of the word structure of the telegram.		
Values	Unsigned16	0x0000 ... 0x00FF	
	The values of the parameter for read or write access. If the values make up an odd number of bytes, a zero byte is attached. This ensures the integrity of the word structure of the telegram.		

Error values in DPV1 parameter responses

Table 10- 31 Error values in DPV1 parameter responses

Error value	Meaning	Remark	Additional info
0x00	Illegal parameter number.	Access to a parameter that does not exist.	–
0x01	Parameter value cannot be changed.	Modification access to a parameter value that cannot be changed.	Subindex
0x02	Lower or upper value limit exceeded.	Modification access with value outside value limits.	Subindex
0x03	Invalid subindex.	Access to a subindex that does not exist.	Subindex
0x04	No array.	Access with subindex to non-indexed parameter.	–
0x05	Wrong data type.	Modification access with a value that does not match the data type of the parameter.	–
0x06	Illegal set operation (only reset allowed).	Modification access with a value not equal to 0 in a case where this is not allowed.	Subindex

Error value	Meaning	Remark	Additional info
0x07	Description element cannot be changed.	Modification access to a description element that cannot be changed.	Subindex
0x09	No description data available.	Access to a description that does not exist (the parameter value exists).	–
0x10	Read job will not be executed.	The read request is refused because know-how protection is active.	
0x0B	No operating priority.	Modification access with no operating priority.	–
0x0F	No text array exists.	Access to a text array that does not exist (the parameter value exists).	–
0x11	Request cannot be executed due to operating status.	Access is temporarily not possible for unspecified reasons.	–
0x14	Illegal value.	Modification access with a value that is within the limits but is illegal for other permanent reasons (parameter with defined individual values).	Subindex
0x15	Response too long.	The length of the present response exceeds the maximum transfer length.	–
0x16	Illegal parameter address.	Illegal or unsupported value for attribute, number of elements, parameter number, subindex or a combination of these.	–
0x17	Illegal format.	Write request: Illegal or unsupported parameter data format.	–
0x18	Number of values inconsistent.	Write request: A mismatch exists between the number of values in the parameter data and the number of elements in the parameter address.	–
0x19	Drive object does not exist.	You have tried to access a drive object that does not exist.	–
0x65	Parameter presently deactivated.	You have tried to access a parameter that, although available, does not currently perform a function (e.g. n control set and access to a V/f control parameter).	–
0x6B	Parameter %s [%s]: No write access for the enabled controller.	–	–
0x6C	Parameter %s [%s]: Unknown unit.	–	–
0x6D	Parameter %s [%s]: Write access only in the commissioning state, encoder (p0010 = 4).	–	–
0x6E	Parameter %s [%s]: Write access only in the commissioning state, motor (p0010 = 3).	–	–
0x6F	Parameter %s [%s]: Write access only in the commissioning state, power unit (p0010 = 2).	–	–
0x70	Parameter %s [%s]: Write access only in the quick commissioning mode (p0010 = 1).	–	–
0x71	Parameter %s [%s]: Write access only in the ready mode (p0010 = 0).	–	–
0x72	Parameter %s [%s]: Write access only in the commissioning state, parameter reset (p0010 = 30).	–	–

Error value	Meaning	Remark	Additional info
0x73	Parameter %s [%s]: Write access only in the commissioning state, Safety (p0010 = 95).	–	–
0x74	Parameter %s [%s]: Write access only in the commissioning state, tech. application/units (p0010 = 5).	–	–
0x75	Parameter %s [%s]: Write access only in the commissioning state (p0010 not equal to 0).	–	–
0x76	Parameter %s [%s]: Write access only in the commissioning state, download (p0010 = 29).	–	–
0x77	Parameter %s [%s] must not be written during download.	–	–
0x78	Parameter %s [%s]: Write access only in the commissioning state, drive configuration (device: p0009 = 3).	–	–
0x79	Parameter %s [%s]: Write access only in the commissioning state, define drive type (device: p0009 = 2).	–	–
0x7A	Parameter %s [%s]: Write access only in the commissioning state, database configuration (device: p0009 = 4).	–	–
0x7B	Parameter %s [%s]: Write access only in the commissioning state, device configuration (device: p0009 = 1).	–	–
0x7C	Parameter %s [%s]: Write access only in the commissioning state, device download (device: p0009 = 29).	–	–
0x7D	Parameter %s [%s]: Write access only in the commissioning state, device parameter reset (device: p0009 = 30).	–	–
0x7E	Parameter %s [%s]: Write access only in the commissioning state, device ready (device: p0009 = 0).	–	–
0x7F	Parameter %s [%s]: Write access only in the commissioning state, device (device: p0009 not 0).	–	–
0x81	Parameter %s [%s] must not be written during download.	–	–
0x82	Transfer of the control authority (master) is inhibited by BI: p0806.	–	–
0x83	Parameter %s [%s]: Requested BICO interconnection not possible.	BICO output does not supply float values. The BICO input, however, requires a float value.	–

Error value	Meaning	Remark	Additional info
0x84	Parameter %s [%s]: Parameter change inhibited (refer to p0300, p0400, p0922)	–	–
0x85	Parameter %s [%s]: Access method not defined.	–	–
0x87	Write job will not be executed..	The write job is rejected because know-how protection is active.	–
0xC8	Below currently valid limit.	Modification request for a value that, although within "absolute" limits, is below the currently valid lower limit.	–
0xC9	Above currently valid limit.	Modification request for a value that, although within "absolute" limits, is below the currently valid lower limit (e.g. governed by the current converter rating).	–
0xCC	Write access not permitted.	Write access is not permitted because an access code is not available.	–

10.3.4.3 Determining the drive object numbers

Further information about the drive system (e.g. drive object numbers) can be determined as follows using parameters p0101, r0102, and p0107/r0107:

1. The value of parameter r0102 ("Number of drive objects") for drive object/axis 1 is read via a read request.

Drive object 1 is the Control Unit (CU) which is a minimum requirement for each drive system.

2. Depending on the result of the initial read request, further read requests for drive object 1 are used to read the indices for parameter p0101 ("Drive object numbers"), as specified by parameter r0102.

Example:

If the number of drive objects is "5", the values of indices 0 to 4 of parameter p0101 are read. Of course, the relevant indexes can also be read at once.

Note

The first two points provide you with the following information:

- The number of drive objects that exist in the drive system
 - The numbers of the existing drive objects
-

3. Following this, parameter r0107/p0107 ("Drive object type") is read for each drive object (indicated by the drive object number).

Depending on the drive object, parameter 107 can be either an adjustable parameter or a display parameter.

The value in parameter r0107/p0107 indicates the drive object type. The coding for the drive object type is specified in the parameter list.

4. As of here, the list of parameters applies to the particular drive object.

10.3.4.4 Example 1: read parameters

Requirements

- The PROFIdrive controller has been commissioned and is fully operational.
- PROFIdrive communication between the controller and the device is operational.
- The controller can read and write data sets in conformance with PROFIdrive DPV1.

Task description

Following the occurrence of at least one fault (ZSW1.3 = "1") on object drive 2, the active fault codes must be read from the fault buffer r0945[0] ... r0945[7].

The request is to be handled using a request and response data block.

Basic procedure

1. Create a request to read the parameters.
2. Invoke the request.
3. Evaluate the response.

Create the request

Parameter request			Offset
Request header	Request reference = 25 hex	Request ID = 01 hex	0 + 1
	Axis = 02 hex	Number of parameters = 01 hex	2 + 3
Parameter address	Attribute = 10 hex	Number of elements = 08 hex	4 + 5
	Parameter no. = 945 dec		6
	Subindex = 0 dec		8

Information about the parameter request:

- Request reference:
The value is selected at random from the valid value range. The request reference establishes the relationship between request and response.
- Request ID:
01 hex → This identifier is required for a read request.
- Axis:
02 hex → Drive 2, fault buffer with drive- and device-specific faults
- Number of parameters:
01 hex → One parameter is read.
- Attribute:
10 hex → The parameter values are read.

- Number of elements:
08 hex → The actual fault incident with eight faults is to be read.
- Parameter number:
945 dec → p0945 (fault code) is read.
- Subindex:
0 dec → Reading starts at index 0.

Initiate parameter request

If ZSW1.3 = "1" → Initiate parameter request.

Evaluate parameter response

Parameter response			Offset
Response header	Request reference mirrored = 25 hex	Response ID = 01 hex	0 + 1
	Axis mirrored = 02 hex	Number of parameters = 01 hex	2 + 3
Parameter value	Format = 06 hex	Number of values = 08 hex	4 + 5
	1st value = 1355 dec		6
	2nd value = 0 dec		8

	8th value = 0 dec		20

Information about the parameter response:

- Request reference mirrored:
This response belongs to the request with request reference 25.
- Response ID:
01 hex → Read request positive, values stored as of 1st value.
- Axis mirrored, number of parameters:
The values correspond to the values from the request.
- Format:
06 hex → Parameter values are in the unsigned16 format.
- Number of values:
08 hex → Eight parameter values are available.
- 1st value ... 8th value
A fault is only entered in value 1 of the fault buffer for drive 2.

1. Create the request

Table 10- 32 Parameter request

Parameter request			Offset
Request header	Request reference = 40 hex	Request ID = 02 hex	0 + 1
	Axis = 02 hex	Number of parameters = 04 hex	2 + 3
1st parameter address	Attribute = 10 hex	Number of elements = 01 hex	4 + 5
	Parameter no. = 1055 dec		6
	Subindex = 0 dec		8
2nd parameter address	Attribute = 10 hex	Number of elements = 01 hex	10 + 11
	Parameter no. = 1056 dec		12
	Subindex = 0 dec		14
3rd parameter address	Attribute = 10 hex	Number of elements = 01 hex	16 + 17
	Parameter no. = 53436 dec		18
	Subindex = 0 dec		20
4th parameter address	Attribute = 10 hex	Number of elements = 01 hex	22 + 23
	Parameter no. = 53436 dec		24
	Subindex = 1 dec		26
1st parameter value(s)	Format = 07 hex	Number of values = 01 hex	28 + 29
	Value = CF12 hex		30
	Value = 0400 hex		32
2nd parameter value(s)	Format = 07 hex	Number of values = 01 hex	34 + 35
	Value = CF12 hex		36
	Value = 0406 hex		38
3rd parameter value(s)	Format = 08 hex	Number of values = 01 hex	40 + 41
	Value = 40A0 hex		42
	Value = 0000 hex		44
4th parameter value(s)	Format = 08 hex	Number of values = 01 hex	46 + 47
	Value = 4120 hex		48
	Value = 0000 hex		50

Information about the parameter request:

- Request reference:
The value is selected at random from the valid value range. The request reference establishes the relationship between request and response.
- Request ID:
02 hex → This identifier is required for a write request.
- Axis:
02 hex → The parameters are written to drive 2.
- Number of parameters
04 hex → The multi-parameter request comprises four individual parameter requests.

1st parameter address ... 4th parameter address

- Attribute:
10 hex → The parameter values are to be written.
- Number of elements
01 hex → One array element is written.
- Parameter number
Specifies the number of the parameter to be written (p1055, p1056, p50436).
- Subindex:
0 dec → ID of the first array element.

1st parameter value ... 4th parameter value

- Format:
07 hex → Data type, unsigned32
08 hex → Data type, floating point
- Number of values:
01 hex → A value is written to each parameter in the specified format.
- Value:
BICO input parameter: Enter signal source
Adjustable parameter: Enter value

2. Initiate parameter request

3. Evaluate parameter response


Parameter response			Offset
Response header	Request reference mirrored = 40 hex	Response ID = 02 hex	0
	Axis mirrored = 02 hex	Number of parameters = 04 hex	2

Information about the parameter response:

- Request reference mirrored:
This response belongs to the request with request reference 40.
- Response ID:
02 hex → Write request positive
- Axis mirrored:
02 hex → The value matches the value from the request.
- Number of parameters:
04 hex → The value matches the value from the request.

10.4 Communication via PROFIBUS DP

10.4.1 PROFIBUS connection

 WARNING
Working on the opened device
Only perform all work when the device is current-free.
Please observe the warning notices in Chapter 1.

Position of PROFIBUS connection and diagnostics LEDs

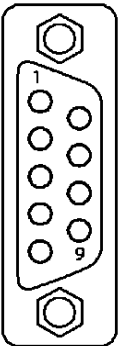
The PROFIBUS connection and diagnostics LEDs are located on the Control Unit (CUD).

The PROFIBUS connection is via a 9-pin Sub-D socket (X126). The connections are electrically isolated.

See also Figure 6-39 Terminal/connector arrangement on the "Control Unit (CUD)" (Page 157) and Chapter Description of the LEDs on the CUD (Page 601).

PROFIBUS connection

Table 10- 33 PROFIBUS connector assignment

Connector	Pin	Signal name	Technical specifications
	1	-	Not assigned
	2	-	Not assigned
	3	RxD/TxD-P	RS485 receive/transmit data P (B)
	4	CNTR-P	Control signal (TTL)
	5	DGND	PROFIBUS data ground
	6	VP	Positive supply voltage (5 V +/-10%)
	7	-	Not assigned
	8	RxD/TxD-N	RS485 receive/transmit data N (A)
	9	-	Not assigned
"Control Unit (CUD)" module			

Bus connector

The cables must be connected using PROFIBUS bus connectors as these contain the necessary bus terminating resistors.

Matching PROFIBUS bus connector, article no. 6GK1500-0FC10:



Figure 10-11 PROFIBUS bus connector

Bus terminating resistor

The bus terminating resistor must be switched on or off depending on its position in the bus, otherwise the data will not be transmitted properly.

Principle: The terminating resistors must only be switched on at both ends of the bus line; the resistors must be switched off at all other connectors.

The cable shield must be connected at both ends and over a large surface area.

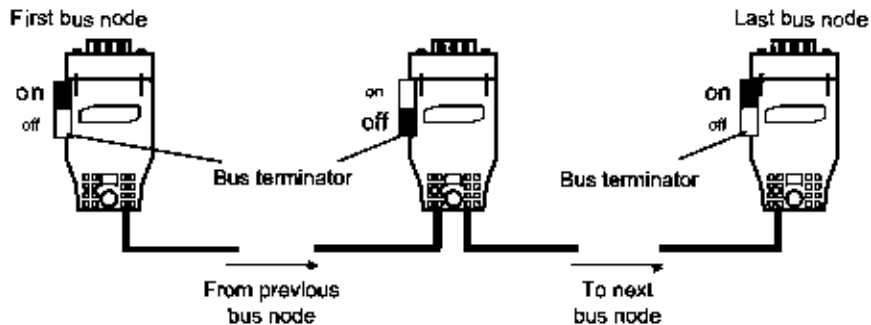


Figure 10-12 Position of the bus terminating resistors

10.4.2 General information about PROFIBUS

10.4.2.1 General information about PROFIBUS for SINAMICS

PROFIBUS is an open international fieldbus standard for a wide range of production and process automation applications.

The following standards ensure open, multi-vendor systems:

- International standard EN 50170
- International standard IEC 61158

PROFIBUS is optimized for high-speed, time-critical data communication at field level.

Note

PROFIBUS for drive technology is standardized and described in the following document:

References: /P5/ PROFIdrive Profile Drive Technology

NOTICE
Destruction of the CAN bus nodes
No CAN cables must be connected to interface X126. If CAN cables are connected, the CUD and other CAN bus nodes may be destroyed.

Master and slave

- Master and slave properties

Properties	Master	Slave
As bus node	Active	Passive
Send messages	Permitted without external request	Only possible on request by master
Receive messages	Possible without any restrictions	Only receive and acknowledge permitted

- Master

Masters are categorized into the following classes:

- Master class 1 (DPMC1):

Central automation stations that exchange data with the slaves in cyclic and acyclic mode. Communication between the masters is also possible.

Examples: SIMATIC S7, SIMOTION

- Master class 2 (DPMC2):

Devices for configuration, commissioning, operator control and monitoring during bus operation. Devices that only exchange data with the slaves in acyclic mode.

Examples: Programming devices, human machine interfaces

- Slaves

With respect to PROFIBUS, the SINAMICS drive unit is a slave.

Bus access method

PROFIBUS uses the token passing method, i.e. the active stations (masters) are arranged in a logical ring in which the authorization to send is received within a defined time frame.

Within this time frame, the master with authorization to send can communicate with other masters or handle communication with the assigned slaves in a master/slave procedure.

PROFIBUS telegram for cyclic data transmission and acyclic services

Each drive unit that supports cyclic process data exchange uses a telegram to send and receive all the process data. A separate telegram is sent in order to perform all the acyclic services (read/write parameters) under a single PROFIBUS address. The acyclic data is transferred with a lower priority after cyclic data transmission.

The overall length of the telegram increases with the number of drive objects that are involved in exchanging process data.

Sequence of drive objects in the telegram

On the drive side, the sequence of drive objects in the telegram is displayed via a list in p0978[0...24] where it can also be changed.

You can use the STARTER commissioning tool to display the sequence of drive objects for a commissioned drive system in online mode in the project navigator under "Drive unit" > "Communication" > "Telegram configuration".

When you create the configuration on the controller side (e.g. HW Config), the process-data-capable drive objects for the application are added to the telegram in this sequence.

The following drive objects can exchange process data:

- Control Unit CU_DC
- ENC
- Terminal Board 30 (TB30)
- Terminal Module 15 (TM15)
- Terminal Module 31 (TM31)
- Terminal Module 150 (TM150)
- DC_CTRL

Note

The sequence of drive objects in HW Config must be the same as that in the drive (p0978).

The structure of the telegram depends on the drive objects taken into account during configuration. Configurations are permitted that do not take into account all of the drive objects that are present in the drive system.

Example:

The following configurations, for example, are possible:

- Configuration with CU_DC, DC_STRL
- Configuration with DC_CTRL, TM31, TM31
- etc.

10.4.2.2 Example of a telegram structure for acyclic data acquisition

Task

The drive system comprises the following drive objects:

SINAMICS DCM with the objects

- CU_DC
- DC_CTRL

Configuration settings (e.g. HW Config for SIMATIC S7)

The components are mapped to objects for configuration.

Due to the telegram structure shown, the objects in the "DP slave properties" overview must be configured as follows:

- CU_DC Standard telegram 390
- DC_CTRL Standard telegram 352

DP slave properties – overview - Drive-ES / STARTER

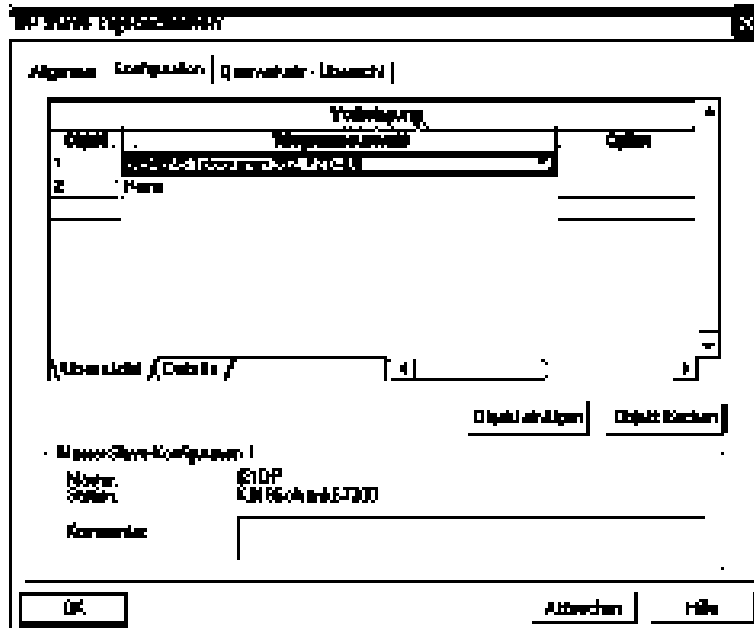


Figure 10-13 Slave properties - overview

When you click "Details", the properties of the configured telegram structure are displayed (e.g. I/O addresses, axis separator).

DP slave properties – details

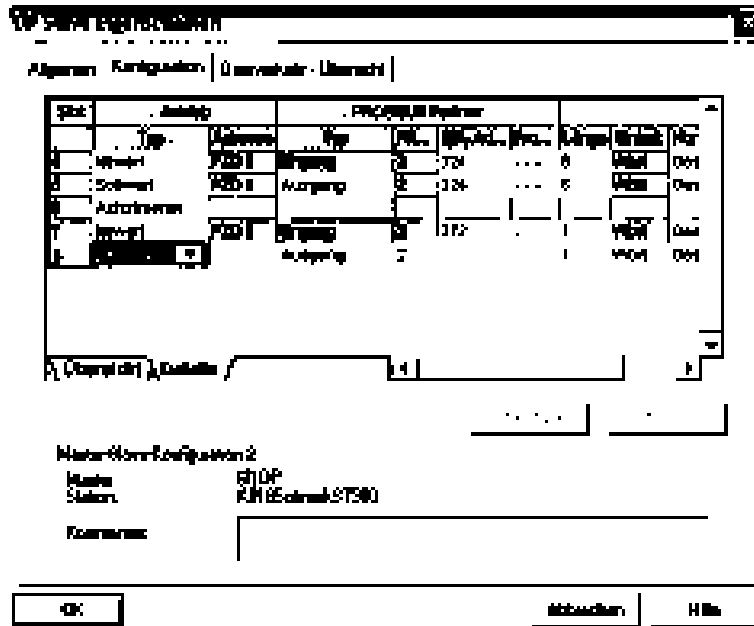


Figure 10-14 Slave properties - details

The axis separator separates the objects in the telegram as follows:

- Slot 4 and 5: Object 2 → DC_CTRL
- Slot 7 and 8: Object 1 → CU_DC

10.4.3 Commissioning PROFIBUS

10.4.3.1 Setting the PROFIBUS interface

Interfaces and diagnostic LED

See Chapter PROFIBUS connection (Page 429).

Note

A teleservice adapter can be connected to the PROFIBUS interface (X126) for remote diagnostics purposes.

Setting the PROFIBUS address

The PROFIBUS address is set at parameter p0918.

The factory setting is

- For the left CUD: 126
- For the right CUD: 125

Each PROFIBUS address in a PROFIBUS line can only be assigned once. When several Control Units are connected to a PROFIBUS line, you set the addresses differently than the factory setting.

The PROFIBUS address can be changed

- Using the BOP20 (only possible on the left CUD)
- Using the AOP30 (if available)
- Using STARTER

You must switch to DO 1 (CU) to change the bus address using the BOP. Access level p0003=3 is required to change p0918.

When using the STARTER commissioning tool, make sure that the bus address p0918 in the offline project matches the online value. If this is not the case, the value is overwritten at the next upload or download.

The PROFIBUS address must be saved in a non-volatile way using the "Copy RAM to ROM" function.

The change made to the bus address takes effect after POWER ON.

10.4.3.2 PROFIBUS interface in operation

Generic station description file

A generic station description file clearly and completely defines the properties of a PROFIBUS slave.

The GSD files can be found:

- On the Internet. For the link, see Preface (Page 5)
- On the DVD SINAMICS DCM Documentation at Accessories. See Chapter Ordering information for options and accessories (Page 30) for ordering data.
- On the memory card in directory

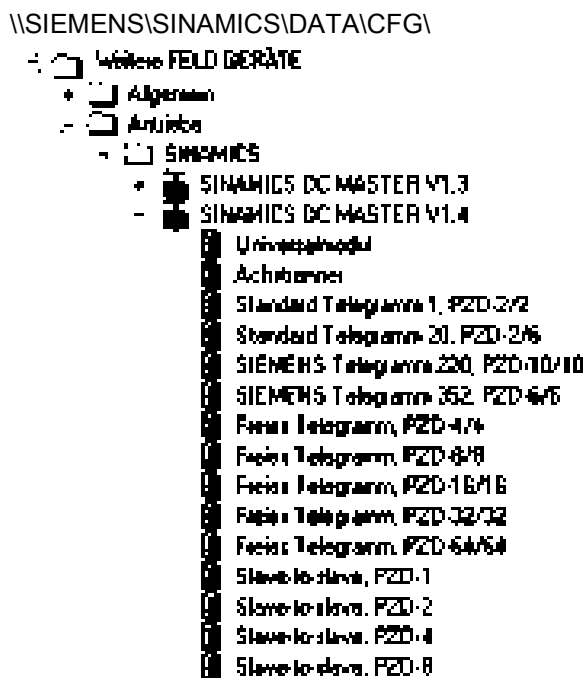


Figure 10-15 Hardware catalog of the GSD file with direct data exchange functionality

The SINAMICS S DXB GSD file contains among other things standard telegrams, free telegrams and slave-to-slave telegrams for configuring direct data exchange. With the aid of these telegram parts and an axis separator, a telegram for the drive unit must be composed for each drive object.

Processing a GSD file in HW Config is covered in the SIMATIC documentation. Suppliers of PROFIBUS components can provide their own bus configuration tool. The description of the respective bus configuration tool is described in the relevant documentation.

Note for commissioning for VIK-NAMUR

To be able to operate a SINAMICS drive as a VIK-NAMUR drive, standard telegram 20 must be set and the VIK-NAMUR identification number activated via p2042 =1.

Device identification

Identification for individual slaves facilitates diagnostics and provides an overview of the nodes on the PROFIBUS.

The information for each slave is stored in the following CU-specific parameter:
r0964[0...6] device identification

Bus terminating resistor and shielding

Reliable data transmission via PROFIBUS depends, amongst other things, on the setting of the bus terminating resistors and the shielding of the PROFIBUS cables.

- Bus terminating resistor
The bus terminating resistors in the PROFIBUS plugs must be set as follows:
 - First and last nodes in the line: Switch on terminating resistor
 - Other nodes in the line: Switch off terminating resistor
- Shielding of the PROFIBUS cables
The cable shield must be connected in the plug through a large surface area at both ends. See also Chapter PROFIBUS connection (Page 429).

10.4.3.3 Commissioning PROFIBUS

Preconditions and assumptions for commissioning

PROFIBUS slave

- The PROFIBUS address to be set for the application is known.
- The telegram type for each drive object is known by the application.

PROFIBUS master

- The communication properties of the SINAMICS DCM slave must be available in the master (GSD file or Drive ES slave OM).

Commissioning steps (example with SIMATIC S7)

1. Set the PROFIBUS address on the slave.
2. Set the telegram type on the slave.

3. Perform the following in the HW Config:

- Connect the drive unit to PROFIBUS and assign the address.
- Set the telegram type.

The same telegram type as on the slave should be set for every drive object exchanging process data via PROFIBUS.

The master can send more process data than the slave uses. A telegram with a larger PZD number than is assigned for the drive object STARTER can be configured on the master.

The PZDs not supplied by the drive object are filled with zeros.

The setting "without PZD" can be defined on a node or object (e.g. infeed controlled via terminals).

4. Assign the I/O addresses according to the user program.

10.4.3.4 Diagnostics options

The standard slave diagnostics can be read online in the HW config.

10.4.3.5 SIMATIC HMI addressing

You can use a SIMATIC HMI as a PROFIBUS master (master class 2) to access SINAMICS directly. With respect to SIMATIC HMI, SINAMICS behaves like a SIMATIC S7. For accessing drive parameters, the following simple rule applies:

- Parameter number = data block number
- Parameter sub-index = bit 0 ... 9 of data block offset
- Drive object number = bit 10 ... 15 of data block offset

Pro Tool and WinCC flexible

The SIMATIC HMI can be configured flexibly with "Pro Tool" or "WinCC flexible".

The following specific settings for drives must be observed when configuration is carried out with Pro Tool or WinCC flexible.

Controllers: Protocol always "SIMATIC S7 - 300/400"

Table 10- 34 Additional parameters

Field	Value
Network parameter profile	DP
Network parameter baud rate	Any
Communication partner address	PROFIBUS address of the drive unit
Communication partner slot/rack	don't care, 0

Table 10- 35 Variables: "General" tab

Field	Value
Name	Any
controller	Any
Type	Depending on the addressed parameter value, e.g.: INT: for integer 16 DINT: for integer 32 WORD: for unsigned 16 REAL: for float
Area	DB
DB (data block number)	Parameter number 1 ... 65535
DBB, DBW, DBD (data block offset)	Drive object No. and sub-index bit 15 ... 10: Drive object No. 0 ... 63 bit 9 ... 0: Sub-index 0 ... 1023 or expressed differently DBW = 1024 * drive object No. + sub-index
Length	Not activated
Acquisition cycle	Any
Number of elements	1
Decimal places	Any

Note

- You can operate a SIMATIC HMI together with a drive unit independently of an existing controller.
A basic "point-to-point" connection can only be established between two nodes (devices).
- The "variable" HMI functions can be used for drive units. Other functions cannot be used (e.g. "messages" or "recipes").
- Individual parameter values can be accessed. Entire arrays, descriptions, or texts cannot be accessed.

10.4.3.6 Monitoring, telegram failure

When monitoring telegram failure, SINAMICS differentiates between two cases:

- Telegram failure with a bus fault

After a telegram failure, and the additional monitoring time has elapsed (p2047), bit r2043.0 is set to "1" and alarm A01920 is output. Binector output r2043.0 can be used for a quick stop, for example.

Once the delay time p2044 has elapsed, fault F01910 is output. Fault F01910 triggers fault response OFF3 (quick stop) on the DO DC_CTRL. If no OFF response is to be triggered, the fault response can be reparameterized accordingly.

Fault F01910 can be acknowledged immediately. The drive can then be operated even without PROFIdrive.

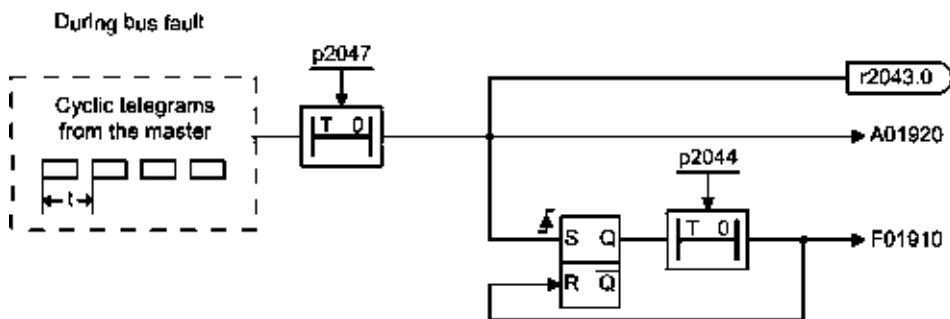


Figure 10-16 Monitoring of telegram failure with a bus fault

- Telegram failure with a CPU stop

After telegram failure, bit r2043.0 is set to "1". Binector output r2043.0 can be used for a quick stop, for example.

Once the delay time p2044 has elapsed, fault F01910 is output. Fault F01910 triggers fault response OFF3 (quick stop) on the DO DC_CTRL. If no OFF response is to be triggered, the fault response can be reparameterized accordingly.

Fault F01910 can be acknowledged immediately. The drive can then be operated even without PROFIdrive.

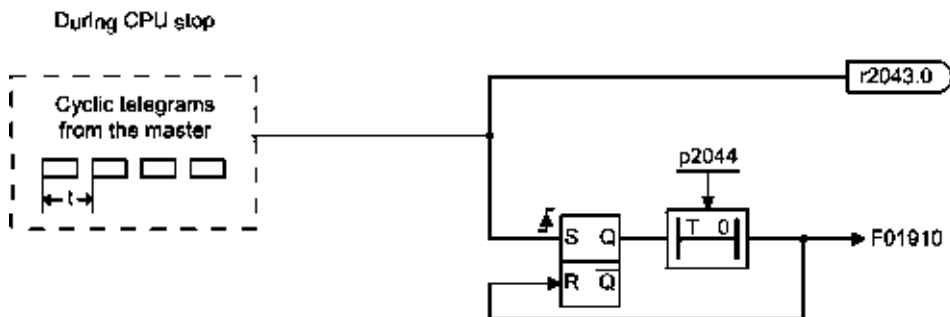


Figure 10-17 Monitoring telegram failure for a CPU stop

Example: Quick stop at telegram failure

Settings:

- CU p2047 = 20 ms
- DC_CTRL p2044 = 0 s

Sequence:

1. Following a telegram failure, and once the additional monitoring time (p2047) has elapsed, binector output r2043.0 of drive object CU switches to "1".

Alarm A01920 and fault F01910 are output at the same time for the DC_CTRL drive objects.
2. When F01910 is output, an OFF3 is triggered for the drive.

Note

The additional monitoring time p2047 is only useful for cyclic communication.

10.4.4 Direct data exchange

For PROFIBUS DP, the master interrogates all of the slaves one after the other in a DP cycle. In this case, the master transfers its output data (setpoints) to the particular slave and receives as response the input data (actual values). Fast, distributed data transfer between drives (slaves) is possible using the "direct data exchange" function without direct involvement from the master.

The following terms are used for the function described in this chapter:

- Direct data exchange
- Data Exchange Broadcast (DXB.req)
- Direct data exchange (is used in the following)

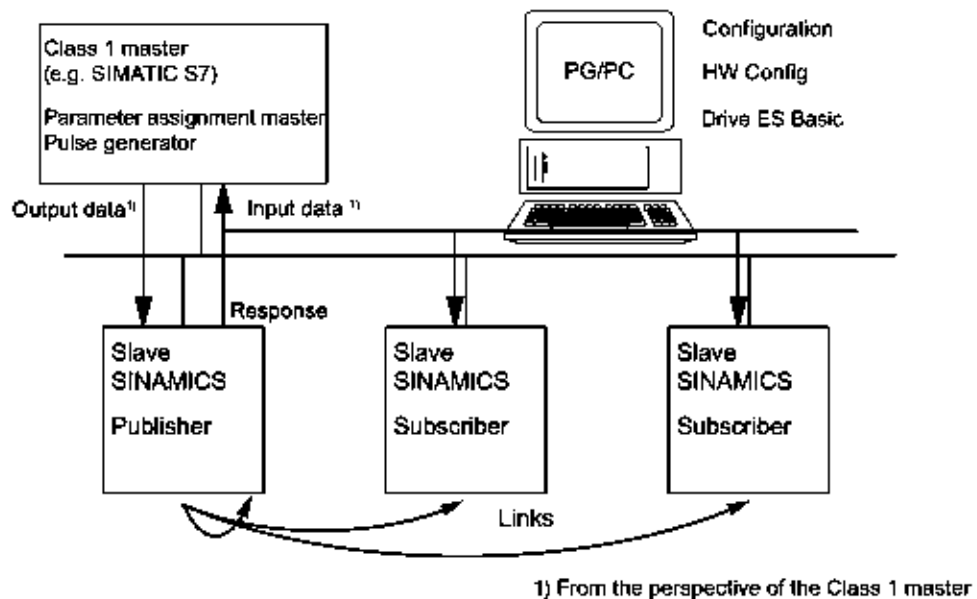


Figure 10-18 Direct data exchange with the publisher-subscriber model

Publisher

With the "direct data exchange" function, at least one slave must act as the publisher.

The publisher is addressed by the master when the output data is transferred with a modified layer 2 function code (DXB.req). The publisher then sends its input data for the master with a broadcast telegram to all bus nodes.

Subscriber

The subscribers evaluate the broadcast telegrams, sent from the publishers, and use the data which has been received as setpoints. These setpoints of the publisher are used, in addition to the setpoints received from the master, corresponding to the configured telegram structure (p0922).

Links and taps

The links configured in the subscriber (connections to publisher) contain the following information:

- From which publisher is the input data received?
- What is the content of the input data?
- Where are the additional setpoints received?

Several taps are possible within a link. Several input data or input data areas, which are not associated with one another, can be used as setpoint via a tap.

Links are possible on the drive unit itself. This internal link corresponds, as far as the timing is concerned, to a link via PROFIBUS.

Requirements

The following requirements should be observed for the "direct data exchange" function:

- STARTER as of Version 4.2
- Configuration:
 - Drive ES Basic, Drive ES SIMATIC or Drive ES PCS7 as of Version 5.3 SP3
 - Alternatively using a GSD file
- Firmware as of Version 1.2
- The maximum number of process data per drive can be identified from the value in r2050
 - minus the resources that have already been used
- A maximum of 16 links to publishers

Applications

For example, the following applications can be implemented using the "direct data exchange" function:

- Axis couplings
- Specifying binector connections from another slave

10.4.4.1 Setpoint assignment in the subscriber

Information about setpoints

- Number of setpoint

When bus communication is being established, the master signals the slave the number of setpoints (process data) to be transferred using the configuring telegram (ChkCfg).
- Contents of the setpoints

The structure and contents of the data are determined using the local process data configuration for the "SINAMICS slave".
- Operation as "standard" slave

The drive unit (slave) only receives its setpoints as output data from the master.
- Operation as subscriber

When a slave is operated as a subscriber, some of the setpoints are defined by one or more publishers rather than by the master.

The slave is informed of the assignment via the parameterization and configuration telegram when bus communication is being established.

10.4.4.2 Activating/parameterizing slave-to-slave communication

The "direct data exchange" function must be activated in the publishers as well as in the subscribers, whereby only the subscriber is to be configured. The publisher is automatically activated during bus startup.

Activation in the publisher

The master is informed about which slaves are to be addressed as publishers with a modified layer 2 function code (DXB req) via the configuration of the subscriber links.

The publisher then sends its input data not only to the master but also as a broadcast telegram to all bus nodes.

These settings are made automatically using the bus configuration tool (e.g. HW Config).

Activation in the subscriber

The slave, which is to be used as subscriber, requires a filter table. The slave must know which setpoints are received from the master and which are received from a publisher.

The filter table is created automatically via the bus configuration tool (e.g. HW Config).

The following diagram shows the information contained in the filter table.

Parameterizing telegram (SetPrm)

The filter table is transferred, as a dedicated block from the master to the slave with the parameterizing telegram when a bus communication is established.

Blockheader	Block-Len ¹⁾	12 – 244
	Command	0xE2
	Slot	0x00
	Specifier	0x00
Filter table header	Version identifier	0xE2
	Number of links	0 – 3
	Offset Link 1 ²⁾	
	...	
Link 1	Publisher DP address	
	Publisher input length	
Tap 1	Offset in the publisher data	
	Target offset in the subscriber	
	Length of the tapping	
Tap 2	...	
	...	
Link 2	Publisher DP address	
	...	

1) Specified in bytes

2) Calculated as of version identifier

Figure 10-19 Filter block in the parameterizing telegram (SetPrm)

Configuration telegram (ChkCfg)

Using the configuration telegram, a slave knows how many setpoints are to be received from the master and how many actual values are to be sent to the master.

For direct data exchange, a special space ID is required for each tap. The PROFIBUS configuration tool (e.g. HW Config) generates this ID. The ID is then transferred with the ChkCfg into the drive devices that operate as subscribers.

10.4.4.3 Commissioning of the PROFIBUS slave-to-slave communication

The commissioning of direct data exchange between two SINAMICS drives using the additional Drive ES Basic package is described below.

Settings in HW Config

The project below is used to describe the settings in HW Config.

The screenshot shows the HW Config interface. On the left, a tree view shows the project structure: '0 UE' containing '1 CPU 312C-3 PN/DP', 'AT', 'XG', 'XG.P1', and '7'. The main workspace displays a 'PROFIBUS - DP Master/Slave (1)' network diagram with two SINAMICS drive icons connected to a central bus. Below the workspace, a table titled '(12) SINAMICS_DCM' lists drive configurations.

Slot	H.	Message frame selection / default	Address	Q address	Comment
4	Drive	Standard message frame 1, PZD-2P	250...259		
5	Drive	Standard message frame 1, PZD-2P		260...269	
6	Drive				
7	Drive	Standard message frame 1, PZD-2P	270...279		
8	Drive	Standard message frame 1, PZD-2P		280...289	
9					
10					
11					
12					

Figure 10-20 Example project of a PROFIBUS network in HW Config

Procedure

1. Select a slave (e.g. SINAMICS DCM) and use its properties to configure the telegram for the connected drive object.
2. In the "Configuration" tab of the drive unit, select e.g. the standard telegram 1 for the associated drive in the telegram selection.

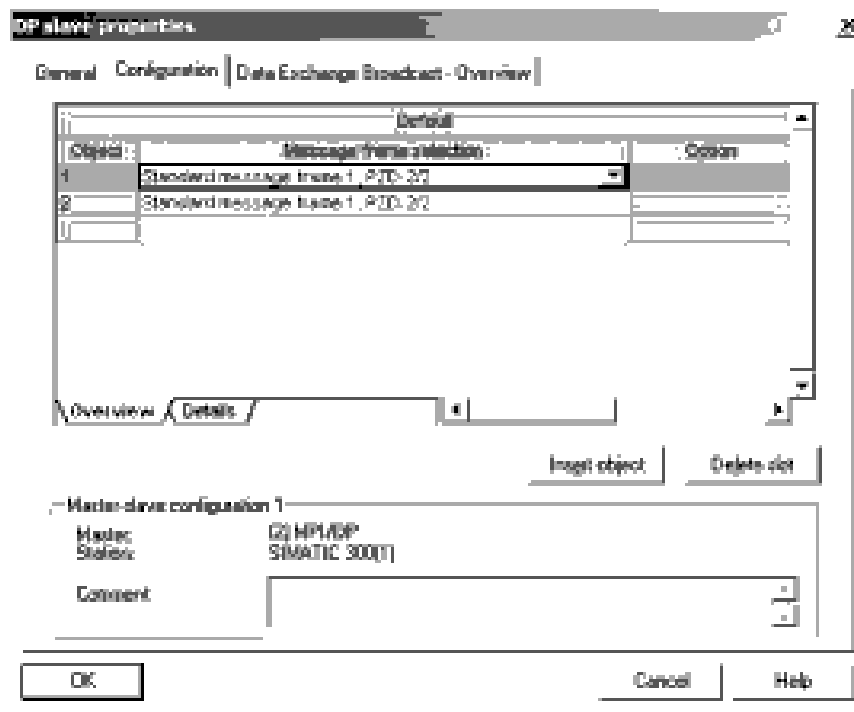


Figure 10-21 Telegram selection for drive object

- Then go to the detail view.
Slots 4/5 contain the actual value / setpoint for the drive object.
Slots 7/8 are the telegram portions for the actual value / setpoint of the CU.

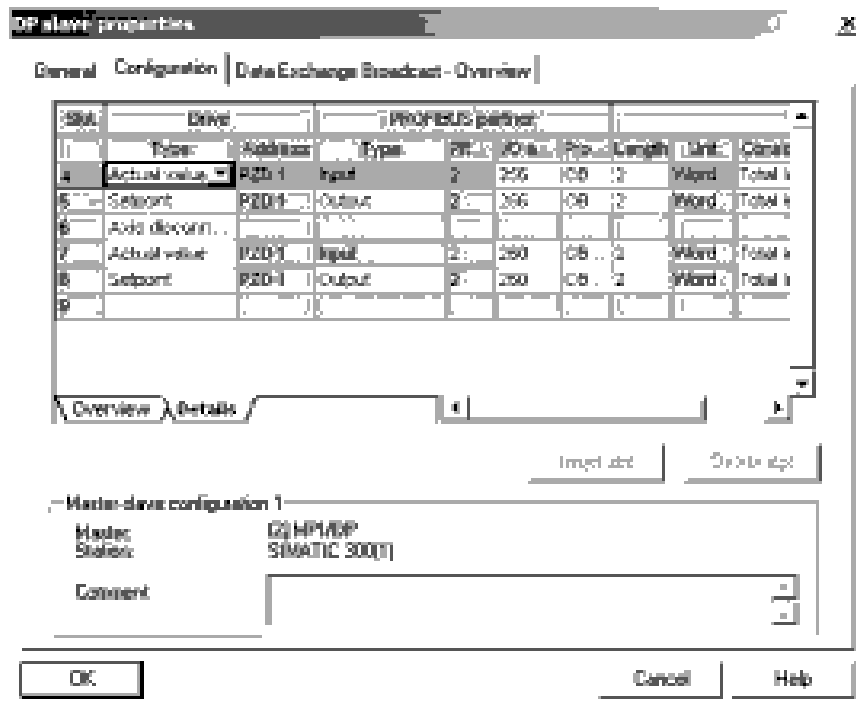


Figure 10-22 Detail view of slave configuration

- The "Insert slot" button can be used to create a new setpoint slot for the SINAMICS DCM drive object.

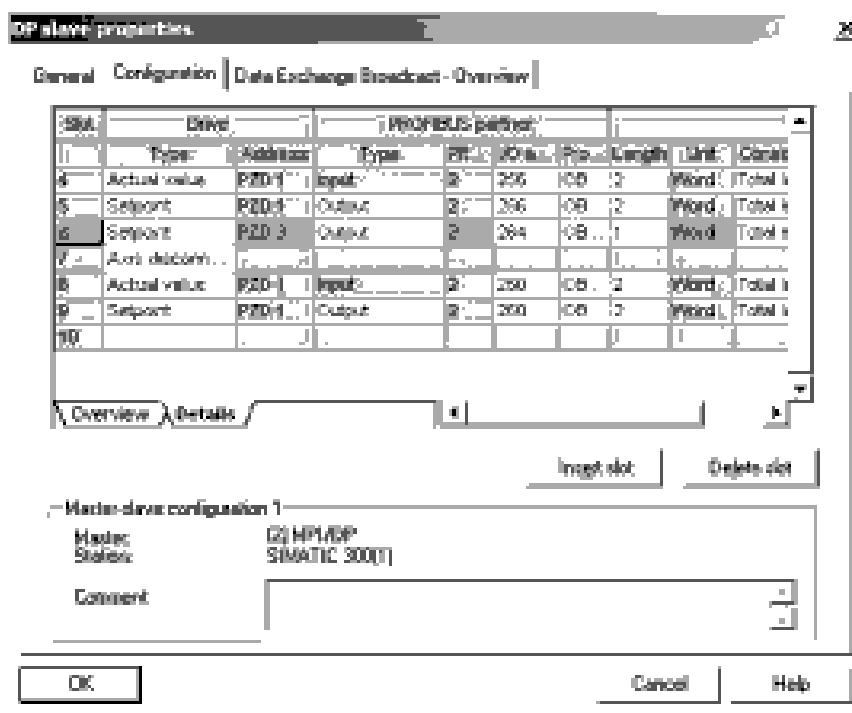


Figure 10-23 Insert new slot

- Assign the setpoint slot the type "direct data exchange".
- Select the publisher DP address in the "PROFIBUS address" column. All PROFIBUS DP slaves are listed here from which actual value data can be requested. It also provides the possibility of sharing data via direct data exchange within the same drive group.
- The "I/O address" column displays the start address for every DO. Select the start address of the DO data to be read. This is 200 in the example. If the complete data of the publisher is not read, set this via the "Length" column. You may also offset the start address for the request so that data can be read out in the middle of the DO telegram.

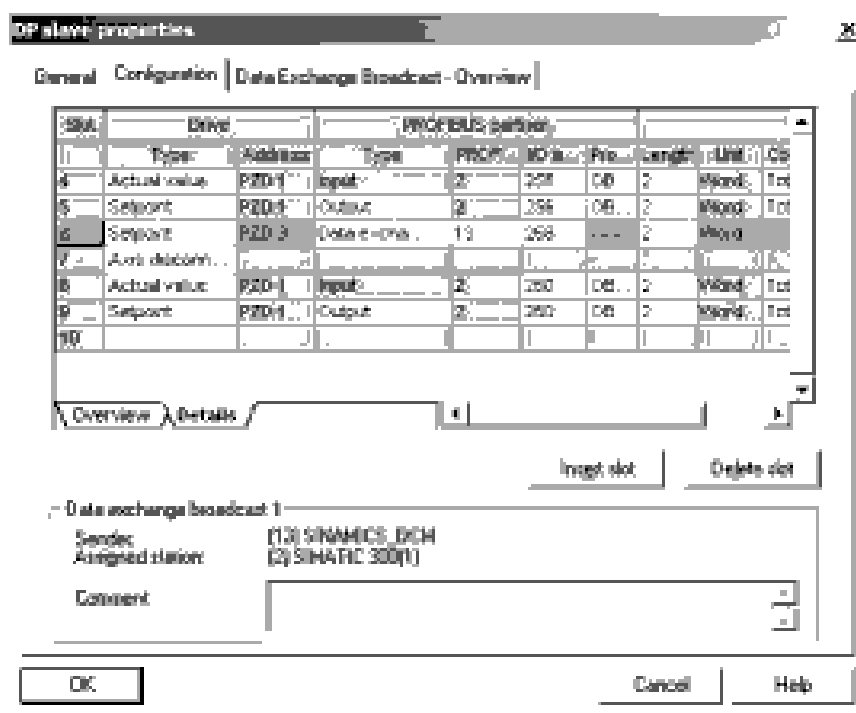


Figure 10-24 Configuring the direct data exchange nodes

- The "Direct data exchange - Overview" tab shows you the configured direct data exchange relationships which correspond to the current status of the configuration in HW Config.

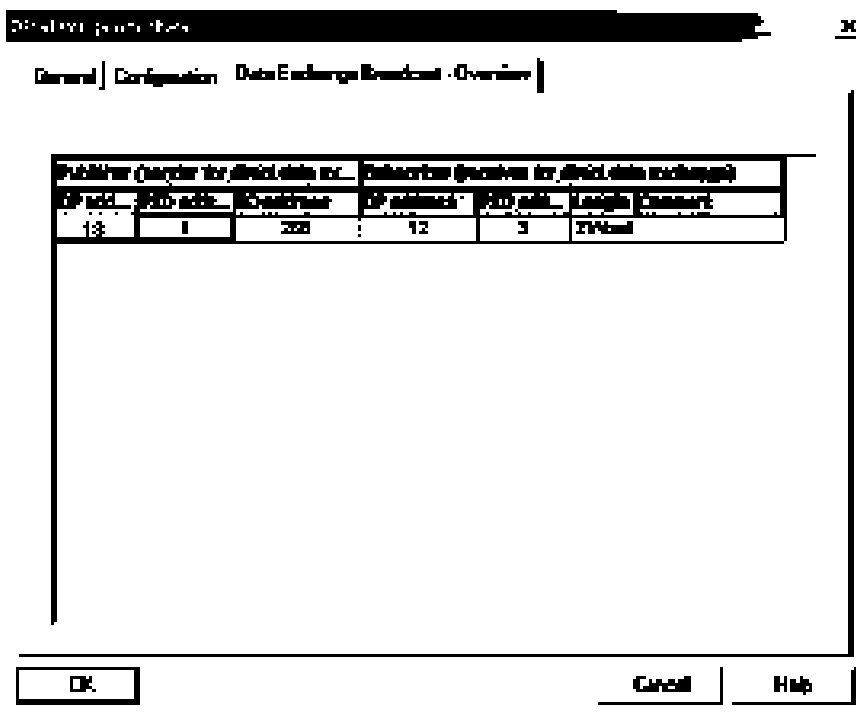


Figure 10-25 Direct data exchange - overview

- When the direct data exchange link has been created, the standard telegram for the drive object is replaced with the "User-defined" telegram in the configuration overview.

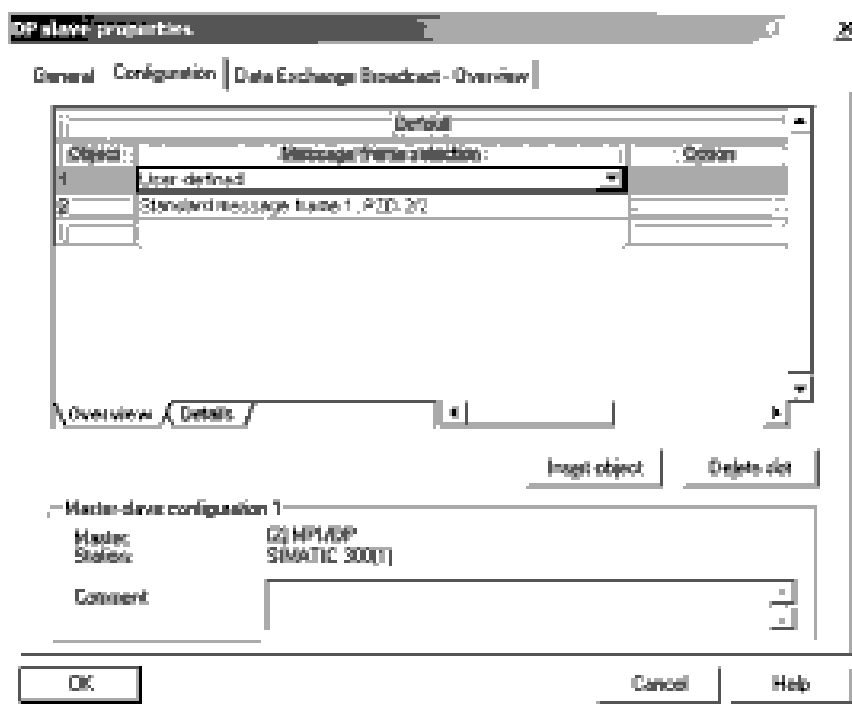


Figure 10-26 Telegram assignment for direct data exchange

10. The details after the creation of the direct data exchange link for the drive object of the SINAMICS DCM are as follows:

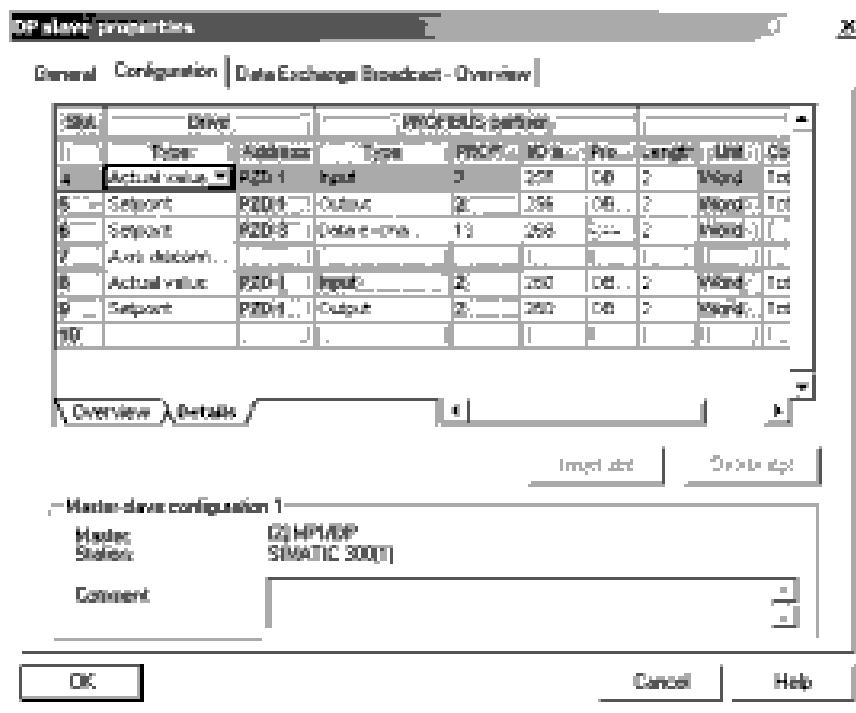


Figure 10-27 Details after the creation of the direct data exchange link

11. You must adjust the standard telegrams accordingly for every DO (drive object) of the selected CU that shall actively participate in direct data exchange.

Commissioning in STARTER

Direct data exchange is configured in HWConfig and is simply an extension of an existing telegram. Telegrams can be extended in STARTER (e.g. p0922 = 999).

IP1: PROFIdrive P2D message frame

The drive objects are supplied with data from the PROFIdrive message frame in the following order:
The input data corresponds to the send and the output data of the receive direction of the drive object.

Message view:

Object	Drive object	No.	Message frame type	Input data	Output data
				Length	Length
1	Amplitude	1	Standard telegram 1, P2D-207	2	2
2	Control Unit	1	Free telegram configuration with BICO	2	2

Without P2D6 for cyclic data exchange

Figure 10-28 Configuring the direct data exchange links in STARTER

In order to terminate the configuration of direct data exchange for the DOs, the telegram data of the DOs in STARTER must be matched to those in the HW Config and must be extended. The configuration is made centrally via the configuration of the respective CU.

Procedure

1. In the overview for the PROFIBUS telegram, you can access the telegram components of the drive objects, here DC_CTRL. Select the telegram type "Free telegram configuration" for the configuration.
2. Enter the telegram lengths for the input data and output data according to the settings in HW Config. For direct data exchange links, the input data consists of the telegram component of the master and the direct data exchange data.
3. Then set the telegram component in the telegram selection to the standard telegram for drive objects (in the example: Standard telegram 1), which results in a split display of the telegram types (standard telegram + telegram extension). The telegram extension represents the telegram portion of direct data exchange.

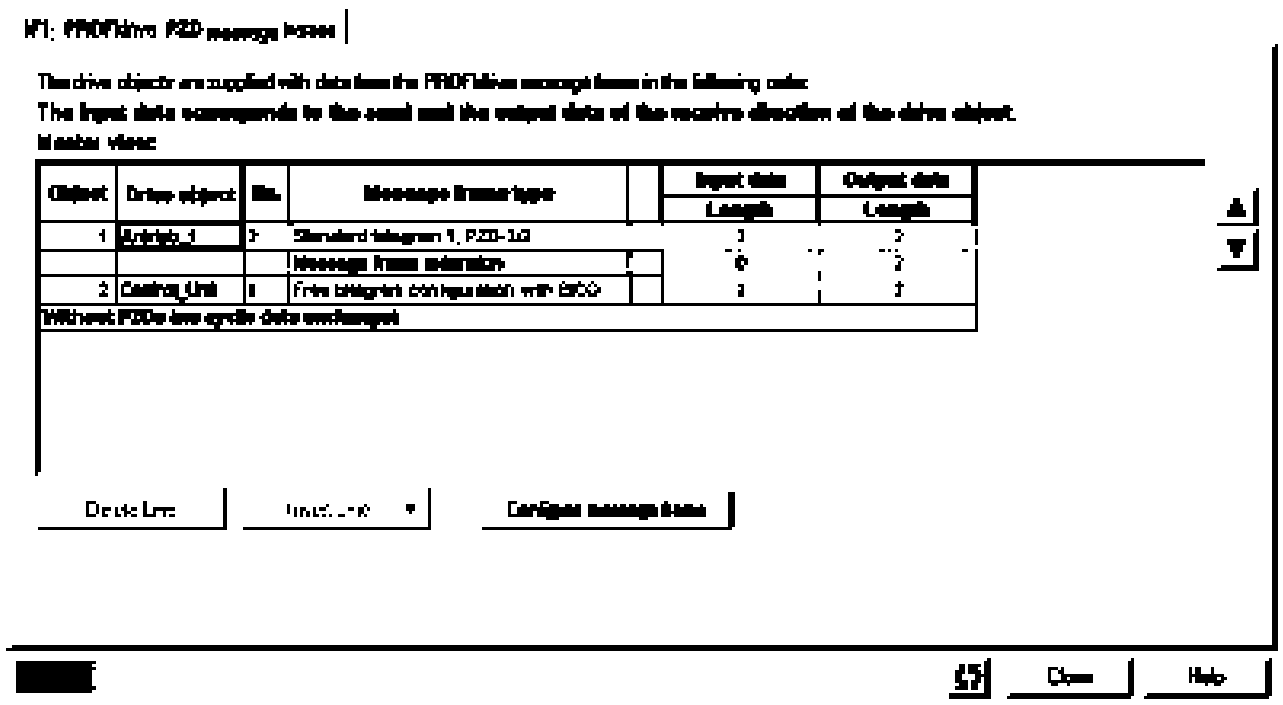


Figure 10-29 Display of the telegram extension

By selecting the item "Communication → PROFIBUS" for the drive object "DC_CTRL" in the project navigator, you obtain the structure of the PROFIBUS telegram in the receive and send directions.

The telegram extension from PZD3 onwards is the component for direct data exchange.

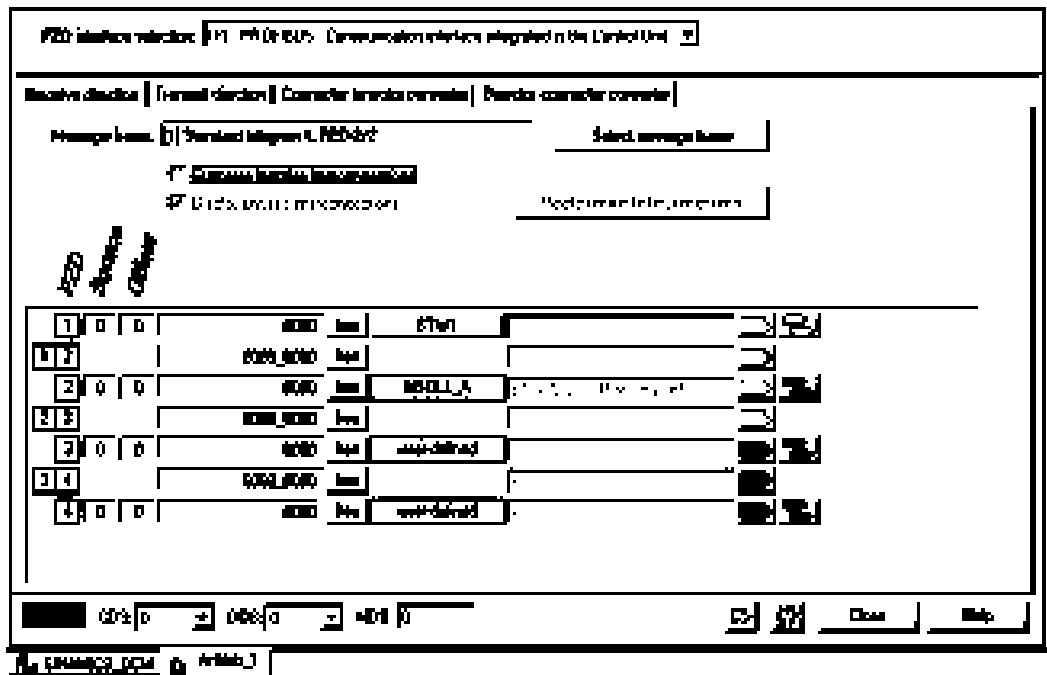


Figure 10-30 Configuring the PROFIBUS direct data exchange in STARTER

To connect the drive objects to the process data which is received via direct data exchange, you also need to connect the appropriate connectors to the corresponding signal sinks. A list for the connector shows all signals that are available for interconnection.

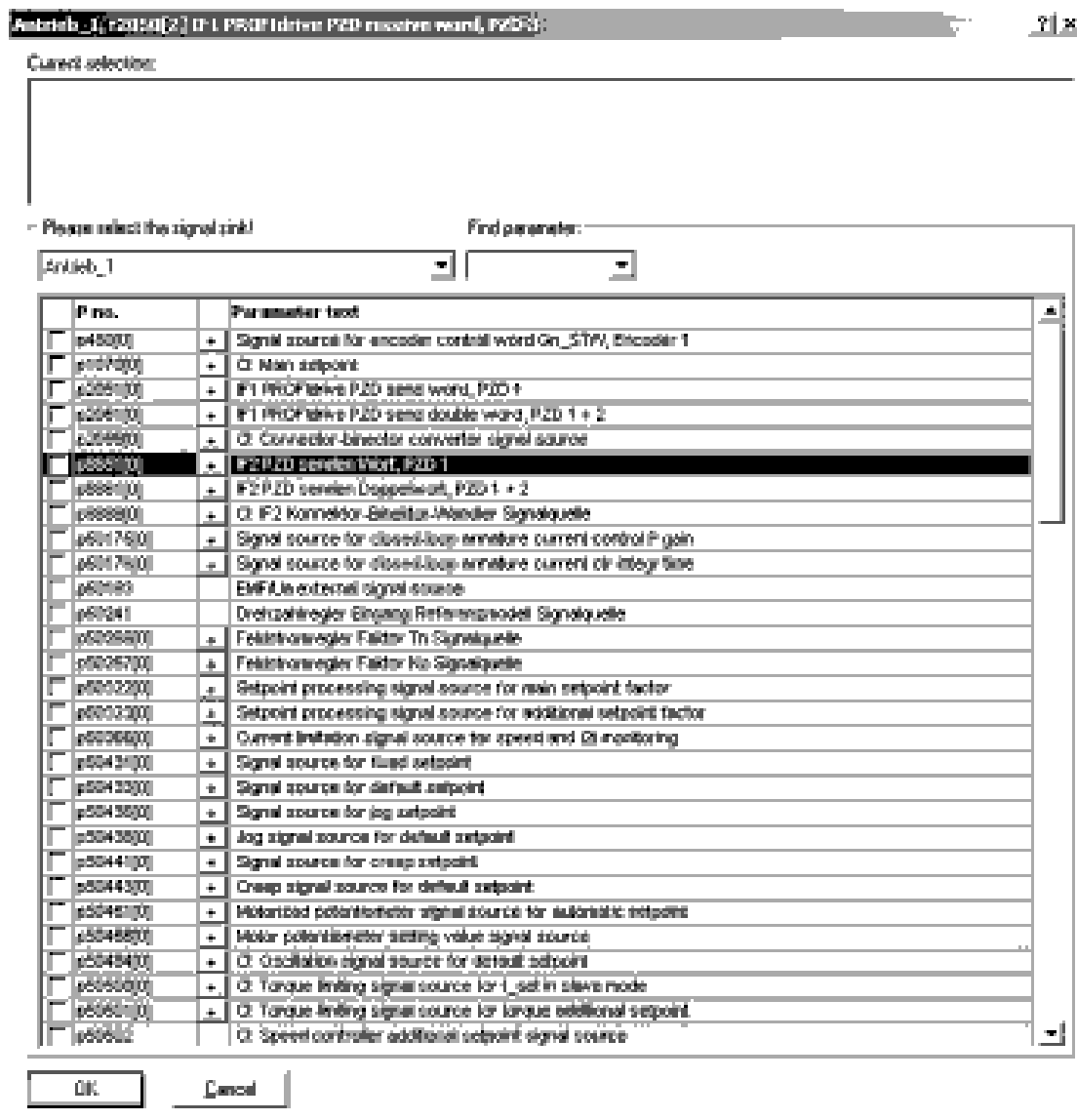


Figure 10-31 Linking the PZDs for direct data exchange with external signals

10.4.4.4 GSD during operation

Generic station description file

In special generic station description files (GSD), the properties of a PROFIBUS slave are uniquely and fully described to use PROFIBUS direct data exchange for SINAMICS.

The GSD files can be found:

- On the Internet. For the link, see Preface (Page 5)
- On the DVD SINAMICS DCM Documentation at Accessories. See Chapter Ordering information for options and accessories (Page 30) for ordering data.
- On the memory card in directory

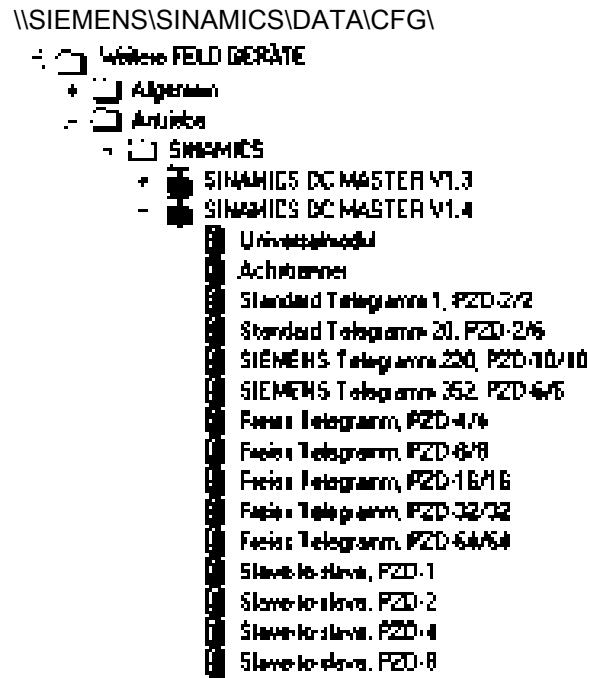


Figure 10-32 Hardware catalog of the GSD file with direct data exchange functionality

The SINAMICS S DXB GSD file contains among other things standard telegrams, free telegrams and slave-to-slave telegrams for configuring direct data exchange. The user must take these telegram parts and an axis separator after each drive object to compose a telegram for the drive unit.

Processing a GSD file in HW Config is covered in the SIMATIC documentation. Suppliers of PROFIBUS components can provide their own bus configuration tool. The description of the respective bus configuration tool is described in the relevant documentation.

Device identification

Identification for individual slaves facilitates diagnostics and provides an overview of the nodes on the PROFIBUS.

The information for each slave is stored in the Control Unit parameter r0964[0...6] device identification.

10.4.4.5 Diagnostics of the PROFIBUS slave-to-slave communication in STARTER

Since the PROFIBUS direct data exchange is implemented on the basis of a broadcast telegram, only the subscriber can detect connection or data faults, e.g. via the publisher data length (see "Configuration telegram").

The publisher can only detect and report an interruption of the cyclic connection to the DP master (A01920, F01910). The broadcast telegram to the subscriber will not provide any feedback. A fault of a subscriber must be fed back via direct data exchange. In case of a "master drive" 1:n, however, the limited quantity framework (see "Links and requests") should be observed. It is not possible to have n subscribers report their status via direct data exchange directly to the "master drive" (publisher)!

Diagnostics can be performed using the diagnostic parameters r2075 ("Receive PROFIBUS diagnostics telegram offset PZD") and r2076 ("Send PROFIBUS diagnostics telegram offset PZD"). The parameter r2074 ("PROFIBUS diagnostics, receive bus address PZD") displays the DP address of the setpoint source of the respective PZD.

r2074 and r2075 enable the source of a direct data exchange relationship to be verified in the subscriber.

Note

The subscribers do not monitor the existence of an isochronous publisher sign of life.

Faults and alarms with PROFIBUS direct data exchange

Alarm A01945 signals that the connection to at least one publisher of the drive device is missing or has failed. Any interruption to the publisher is also reported by fault F01946 at the affected drive object. A failure of the publisher only impacts the respective drive objects.

More detailed information on the messages can be found in the SINAMICS DCM List Manual.

10.4.5 Messages via diagnostics channels

Messages can be displayed not only via the well-known commissioning tools (STARTER, SCOUT). After the activation of a diagnostic function, the messages are also transferred to the higher-level controller via the standardized diagnostic channels. The messages are evaluated there or forwarded for convenient display to the corresponding user interfaces (SIMATIC HMI, TIA Portal, etc.). The messages are shown on the respective user interfaces similarly as in STARTER.

In this way, problems or faults can be located immediately regardless of the tool currently being used, and then corrected immediately. No further tools must therefore be called for the correction.

Activating the diagnostics function

The diagnostics function is activated or deactivated via the parameterization of the relevant configuration tool (HW Config, TIA Portal, etc.).

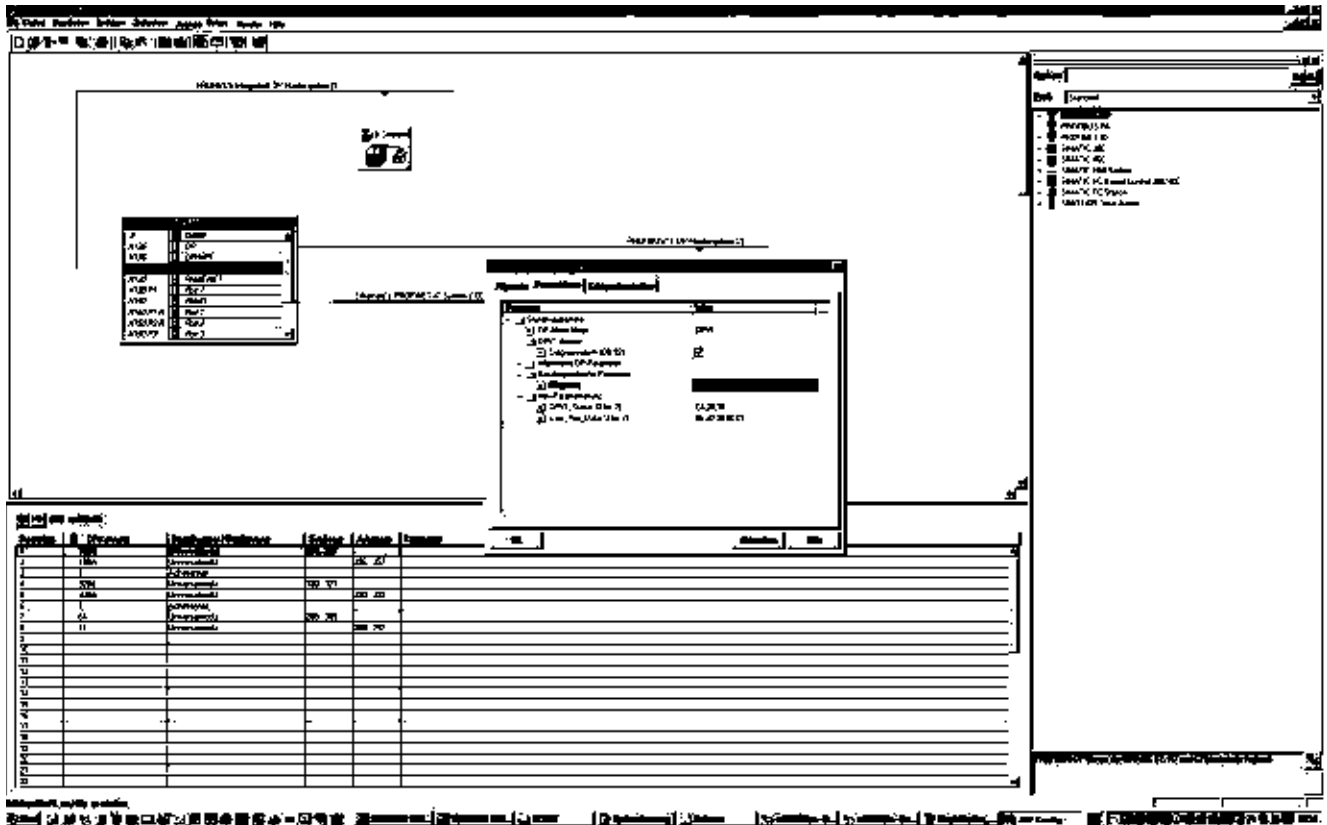


Figure 10-33 Activation of PROFIBUS

The following parameter assignments are possible:

Setting	Code for parameter assignment
Inactive	0
PROFIdrive error classes	1

When establishing the communication between SINAMICS and a master/controller, the activated diagnostics mode of this master/controller is first transferred to the drive. With activated diagnostics, SINAMICS first transfers all pending messages to the master/controller.

Messages

The following PROFIBUS error texts can be displayed:

Line faulted

A line supply fault has occurred (phase failure, voltage level, etc.). Check the line supply and fuses. Check the supply voltage. Check the wiring.

Power electronics faulted

An impermissible operating state of the power electronics was detected (overcurrent, overtemperature, etc.). Check compliance with the permissible load cycles. Check the ambient temperatures (fan).

Overtemperature of an electronic component

The temperature in the component has exceeded the highest permissible limit. Check the ambient temperature / control cabinet ventilation.

Ground fault / inter-phase short-circuit detected

A ground fault / inter-phase short-circuit was detected in the power cables or in the motor windings. Check the power cables (connection). Check the motor.

Motor overload

The motor was operated outside the permissible limits (temperature, current, torque, etc.). Check the load cycles and set limits. Check the ambient temperature / motor cooling.

Communication to the controller faulted

The communication to the higher-level controller (internal coupling, PROFIBUS, PROFINET, etc.) is faulted or interrupted. Check the state of the higher-level controller. Check the communication connection/wiring. Check the bus configuration/cycles.

Actual position/speed value error

An illegal signal state was detected while evaluating the encoder signals (track signals, zero marks, absolute values, etc.). Check the encoder / state of the encoder signals. Observe the maximum permissible frequencies.

Internal communication faulted

The internal communication between the SINAMICS components is faulted or interrupted. Check the DRIVE-CLiQ wiring. Ensure an EMC-compliant installation. Observe the maximum permissible quantity structures / cycles.

External signal state error

A measured value / signal state read-in via the input area (digital/analog/temperature) has assumed an impermissible value/state. Identify and check the relevant signal. Check the set thresholds.

Application / function faulted

The application / technological function has exceeded a (set) limit (position, velocity, torque, etc.). Identify and check the relevant limit. Check the setpoint specification of the higher-level controller.

Error in the parameterization / commissioning

An error was identified in the parameterization or in a commissioning procedure, or the parameterization does not match the actual device configuration. Determine the exact cause of the error with the commissioning tool, adapt the parameterization or device configuration.

10.5 Communication via PROFINET IO

10.5.1 Activating online mode: STARTER via PROFINET IO

Description

The following options are available for online operation via PROFINET IO:

- Online operation via IP

Requirements

- STARTER with Version $\geq 4.1.5$ (SINAMICS DCM is supported starting only from STARTER Version 4.1.5)
- CBE20

STARTER via PROFINET IO (example)

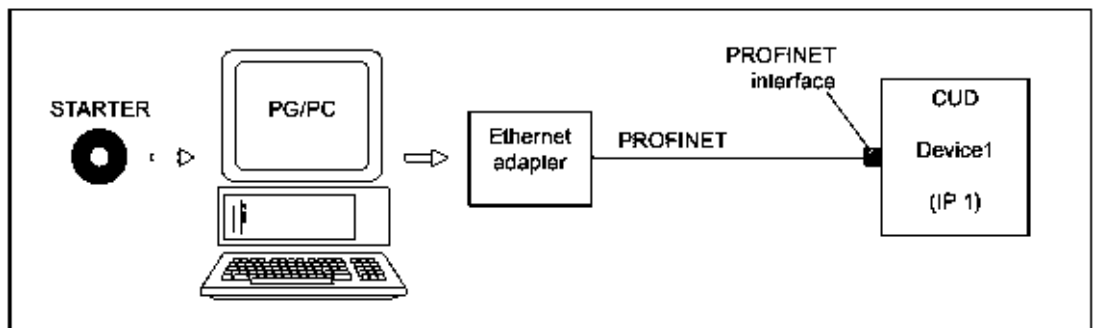


Figure 10-34 STARTER via PROFINET (example)

Procedure for activating online mode with PROFINET

1. Set the IP address in Windows XP.
This involves assigning a fixed, free IP address to the PG/PC.
2. Settings in STARTER
3. Enter the IP address and a name for the drive unit's PROFINET interface.
The PROFIBUS interface must be "initialized" so that STARTER can establish communication.
4. Select online mode in STARTER.

Set the IP address in Windows XP.

On the desktop, right-click on "Network environment" -> Properties -> double-click on Network card and choose -> Properties -> Internet Protocol (TCP/IP) -> Properties -> Enter the freely-assignable addresses.

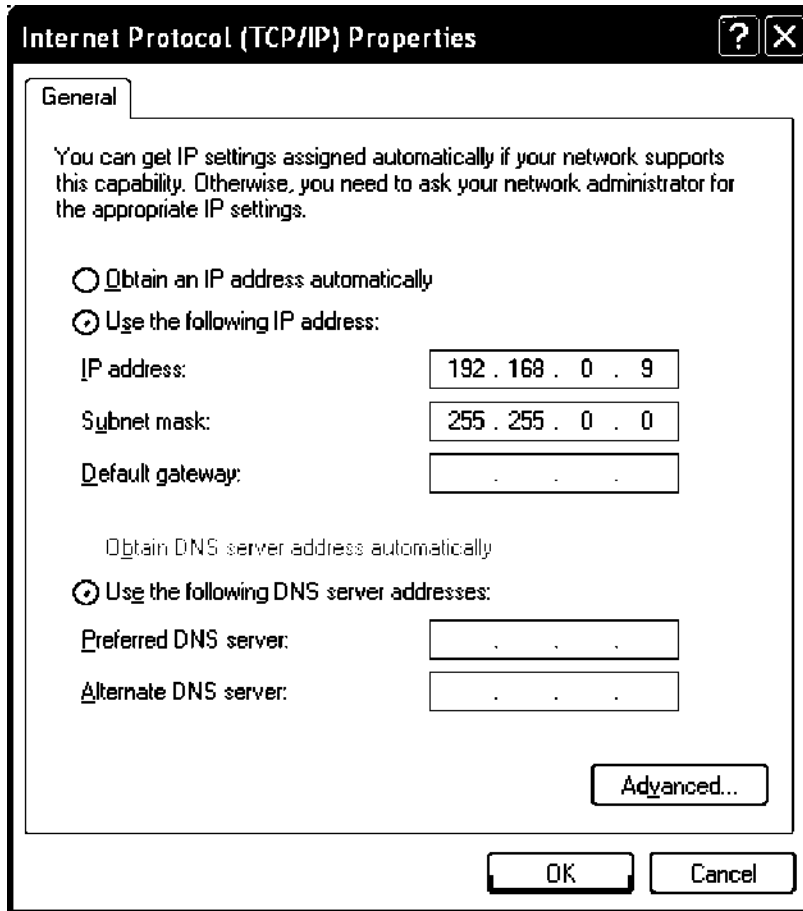


Figure 10-35 Internet Protocol (TCP/IP) properties

Settings in STARTER

The following settings are required in STARTER for communication via PROFINET:

- Tools → Set PG/PC interface...

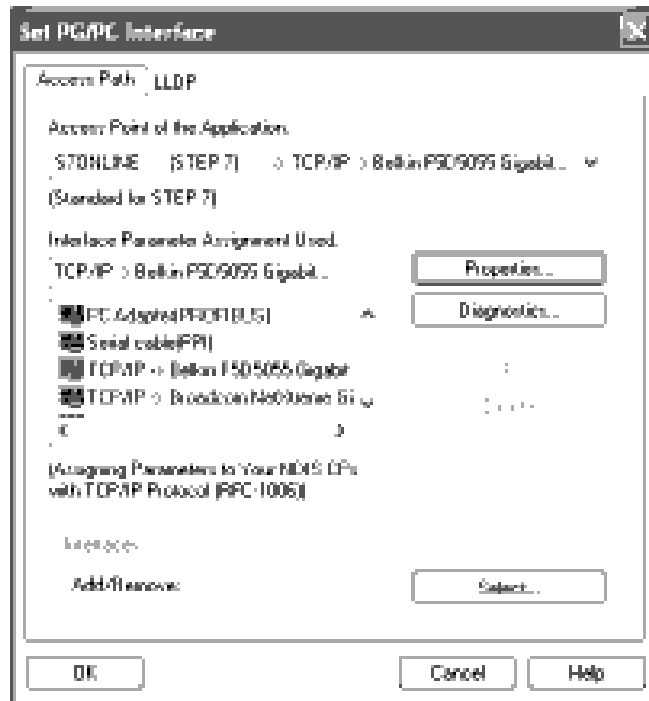


Figure 10-36 Setting the PG/PC interface

Assigning the IP address and name for the PROFINET interface of the drive unit

Use STARTER to assign an IP address and a name to the PROFINET interface (e.g. CBE20).

Requirement:

- Connect the direct Ethernet cable from the PG/PC to the PROFINET interface of the Control Unit CUD.
- Switch on the Control Unit CUD.

The accessible nodes must be sought in STARTER:

- Project → Accessible nodes

The found nodes are then displayed in the dialog screen.

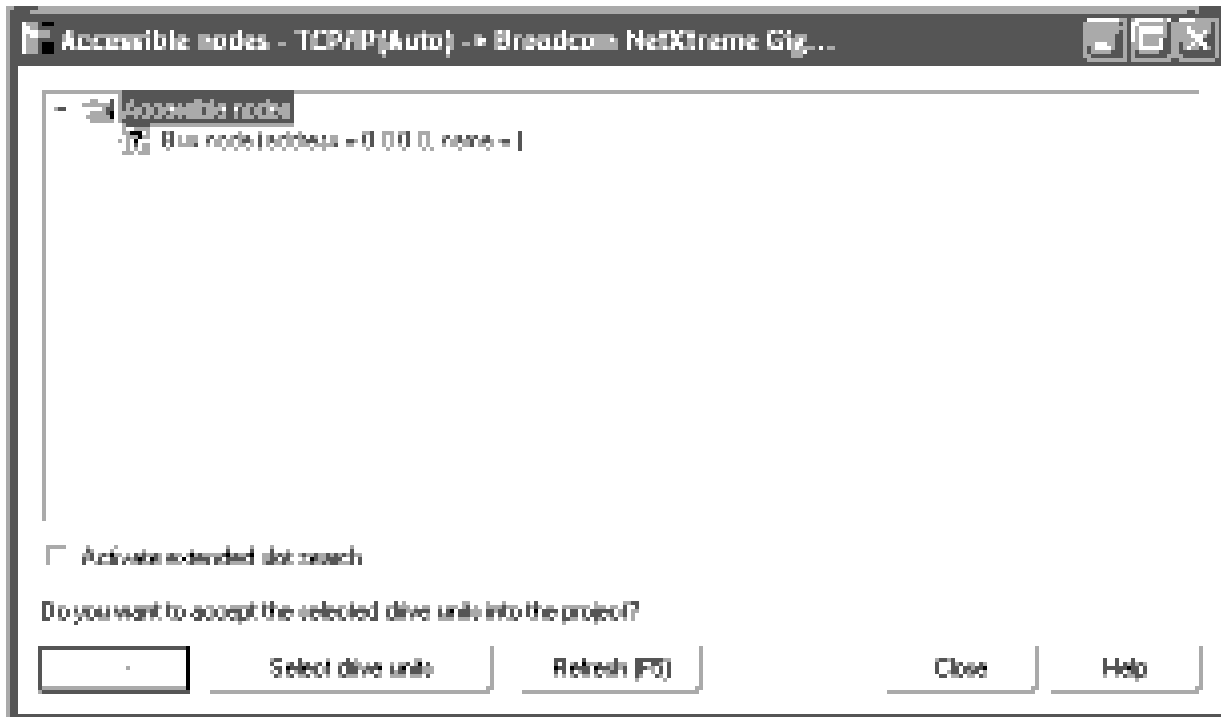


Figure 10-37 STARTER - Search for accessible nodes

The selected node is edited by right-clicking the field for the node and selecting the option "Edit Ethernet node..."

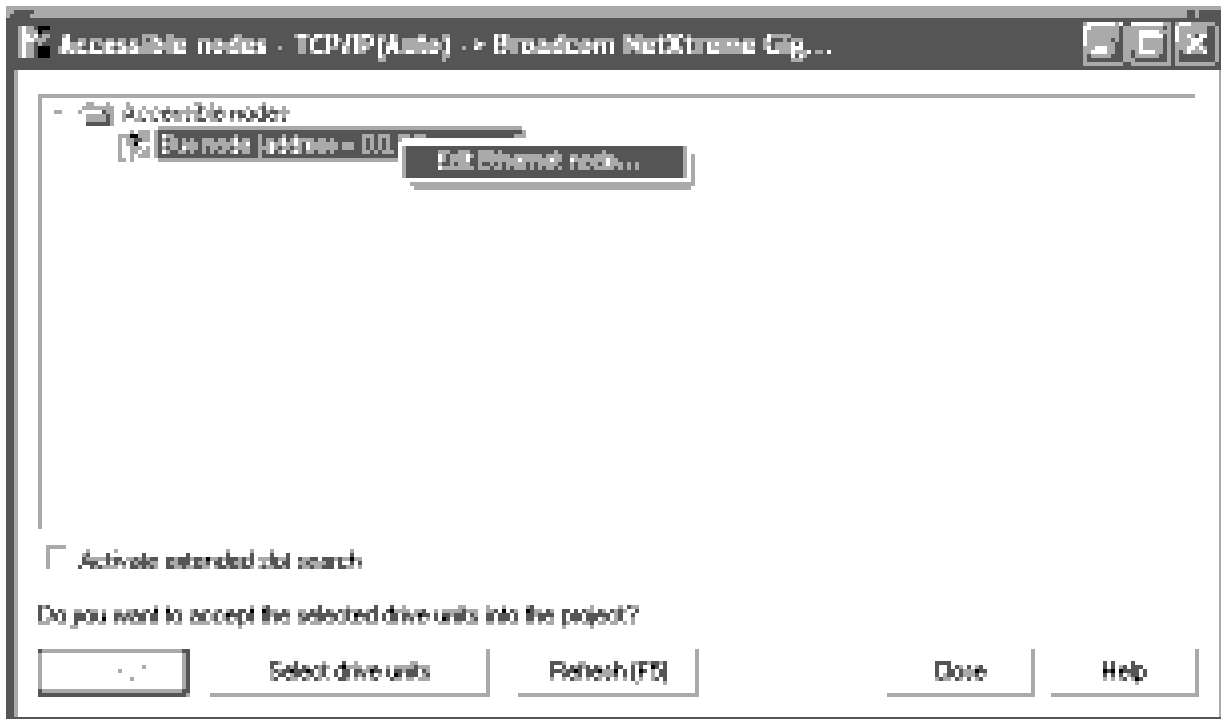


Figure 10-38 STARTER - Accessible nodes - Edit Ethernet node

In the dialog screen that appears next, enter a freely selectable device name, the IP address and the subnet mask.

The subnet masks must match before STARTER can be operated.

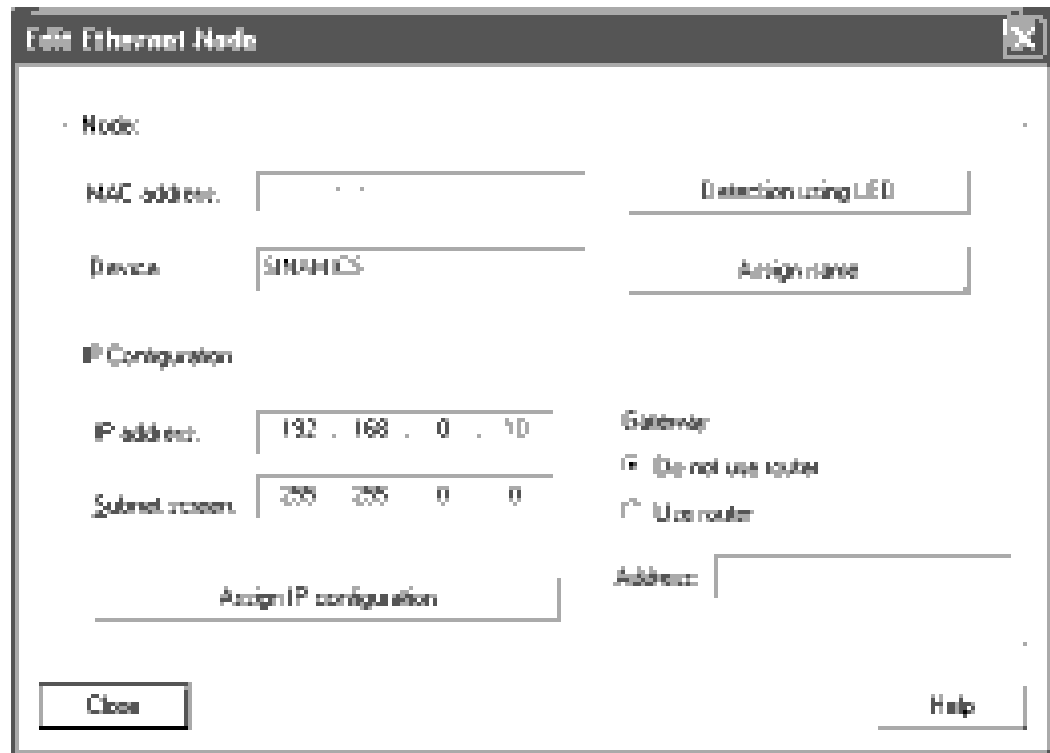


Figure 10-39 STARTER - Edit Ethernet node

After selecting the "Assign name" button, the following confirmation will appear if the assignment was successful: In certain cases, a RAM to ROM is executed in the drive and you must wait until it has been completed.



Figure 10-40 STARTER - Successful assignment of the device name

After selecting the "Assign IP configuration" button, the following confirmation will appear if the assignment was successful: In certain cases, a RAM to ROM is executed in the drive and you must wait until it has been completed.



Figure 10-41 STARTER - Successful assignment of the IP configuration

Once the "Edit Ethernet Node" dialog screen has closed and the node overview has been updated (F5), a display indicates that the node properties have been successfully assigned.

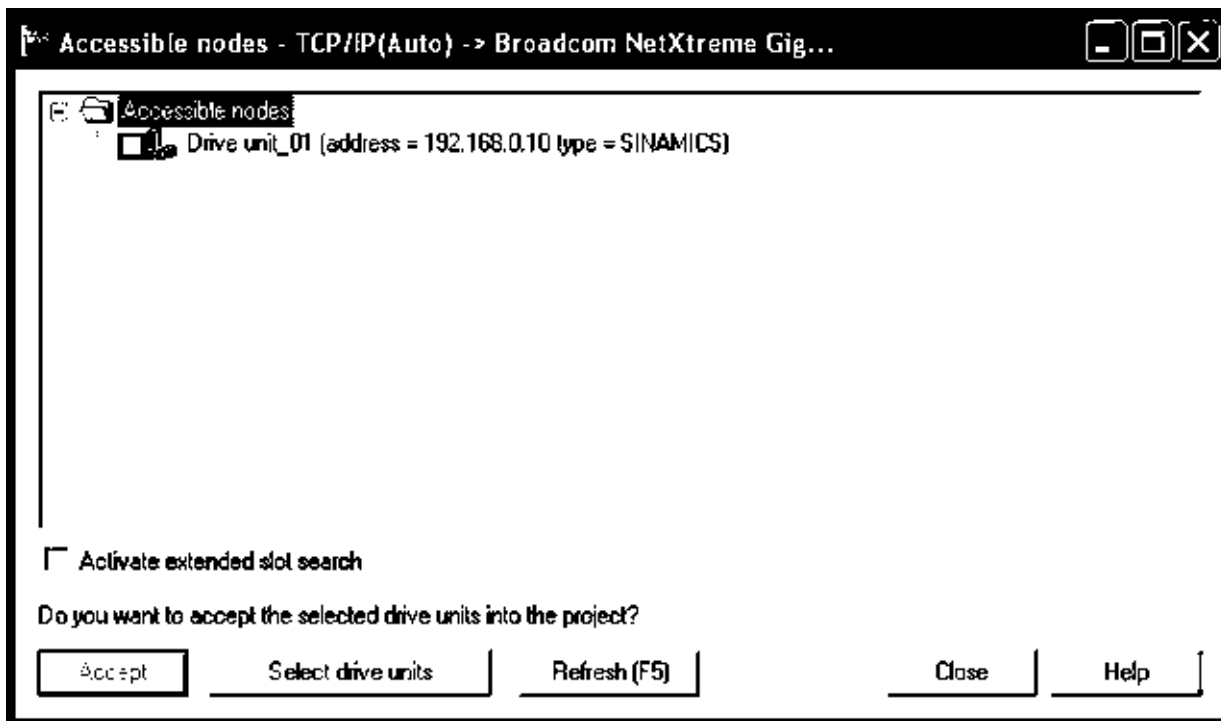


Figure 10-42 STARTER - Accessible nodes update completed

Note

The IP addresses allocated for the PC and the PROFINET interface in the drive must be different; otherwise communication between the PC and drive is not possible.

10.5.2 General information about PROFINET IO

General information

PROFINET IO is an open Industrial Ethernet standard for a wide range of production and process automation applications. PROFINET IO is based on Industrial Ethernet and observes TCP/IP and IT standards.

Deterministic signal processing in real time is important in industrial networks. PROFINET IO satisfies these requirements.

The following standards ensure open, multi-vendor systems:

- International standard IEC 61158

PROFINET IO is optimized for high-speed, time-critical data transfers at field level.

PROFINET IO

Within the context of Totally Integrated Automation (TIA), PROFINET IO is the systematic development of the following systems:

- PROFIBUS DP, the established fieldbus.
- Industrial Ethernet, the communications bus for the cell level.

Experience gained from both systems was integrated into PROFINET IO. PROFINET IO as the Ethernet-based automation standard from PROFIBUS International (PROFIBUS User Organization e.V.) defines a cross-vendor communications and engineering model.

PROFINET IO defines every aspect of the data exchange between IO controllers (devices with what is known as "master functionality" and the IO devices (those with what is known as "slave functionality") as well as carrying out parameterization and diagnostics. A PROFINET IO system is configured in virtually the same way as a PROFIBUS system.

A PROFINET IO system is assembled from the following devices:

- An IO controller controls automation tasks.
- An IO device is controlled and monitored by an IO controller. An IO device consists of several modules and submodules.
- An IO supervisor is an engineering tool, typically based on a PC, with which the individual IO devices (drive units) are parameterized and diagnosed.

IO devices: Drive units with PROFINET interface

- SINAMICS DCM with inserted CBE20

Cyclic communication using PROFINET IO with IRT or using RT is possible on all drive units equipped with a PROFINET interface. This means that error-free communication using other standard protocols is guaranteed within the same network.

Note

PROFINET for drive technology is standardized and described in the following document:
PROFIBUS profile PROFIdrive - Profile Drive Technology

Version V4.1, May 2006

PROFIBUS User Organization e. V.

Haid-und-Neu-Straße 7

D-76131 Karlsruhe

<http://www.profibus.com>

Order no. 3.172, spec. Chapter 6

- IEC 61800-7

Note

For a CUD with inserted CBE20, the cyclic PZD channel is deactivated for PROFIBUS DP. By setting parameter p8839 = 1, the PZD channel can be reactivated, see Chapter Parallel operation of communication interfaces (Page 412).

10.5.2.1 Real-time (RT) and isochronous real-time (IRT) communication

Real-time communication

When communication takes place via TCP/IP, the resultant transmission times may be too long and non-deterministic to meet production automation requirements. When communicating time-critical IO user data, PROFINET IO therefore uses its own real-time channel, rather than TCP/IP.

Determinism

Determinism means that a system will react in a predictable ("deterministic") manner. With PROFINET IO, it is possible to precisely determine (predict) transmission times.

PROFINET IO with RT (Real Time)

Real time means that a system processes external events over a defined period.

Process data and alarms are always transferred in real time (RT) within the PROFINET IO system. RT communication provides the basis for data exchange with PROFINET IO. Real-time data is treated with a higher priority than TCP(UDP)/IP data. Transmission of time-critical data takes place at guaranteed time intervals.

PROFINET IO with IRT (Isochronous Real Time)

Isochronous Real Time Ethernet: Real time property of PROFINET IO where IRT telegrams are transferred deterministically via planned communication paths in a defined sequence to achieve the best possible synchronism and performance between the IO controller and IO device (drive unit). This is also known as time-scheduled communication whereby knowledge about the network structure is utilized. IRT requires special network components that support planned data transfer.

Minimum cycle times of 500 μ s and a jitter accuracy of less than 1 μ s can be achieved with this transmission method.

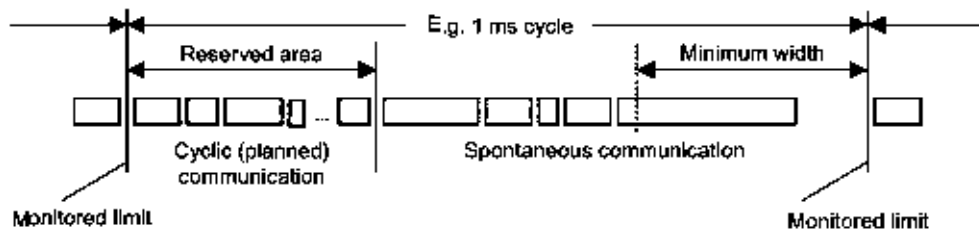


Figure 10-43 Bandwidth distribution/reservation, PROFINET IO

10.5.2.2 Addresses

MAC address

Every Ethernet and PROFINET interface is assigned a worldwide unique device identifier in the factory. This 6-byte long device identifier is the MAC address. The MAC address is divided up as follows:

- Three bytes for the manufacturer's ID
- Three bytes for the device identifier (consecutive number)

The MAC address is on a label (CBE20), e.g. 08-00-06-6B-80-C0

IP address

The TCP/IP protocol is a prerequisite for establishing a connection and parameterization. To allow a PROFINET device to be addressed as a node on Industrial Ethernet, this device requires a unique IP address in the network. The IP address is made up of four decimal numbers with a range of values from 0 through 255. The decimal numbers are separated by a period. The IP address comprises:

- The address of the node (also called host or network node)
- The address of the (sub) network

IP address assignment

The IP addresses of IO devices can be assigned by the IO controller and always have the same subnet screen as the IO controller. In this case, the IP address is not stored permanently. The IP address entry is lost after POWER ON/OFF. The IP address can be assigned retentively via the STARTER function "Accessible nodes".

This function can also be performed with HW Config of STEP 7. The function is called "Edit Ethernet node" here.

Note

If the network is part of an existing Ethernet company network, obtain the information (IP address) from your network administrator.

Device name (NameOfStation)

When it is shipped, an IO device does not have a device name. An IO device can only be addressed by an IO controller, for example, for the transfer of project engineering data (including the IP address) during startup or for user data exchange in cyclic operation, after it has been assigned a device name with the IO supervisor.

Note

The device name must be stored retentively using either STARTER, the Primary Setup Tool (PST) or with HW Config of STEP 7.

Note

You can enter the address data for the ports of the optional CBE20 module in STARTER in the expert list using parameters p8940, p8941, p8942 and p8943.

Replacing the Control Unit (CUD) (IO device)

If the IP address and device name are stored in non-volatile memory, this data is also forwarded with the memory card of the Control Unit.

If a complete Control Unit needs to be replaced due to a device or module defect, the new Control Unit automatically parameterizes and configures using the data on the memory card. Following this, cyclic exchange of user data is restarted. The memory card allows module exchange without an IO supervisor when a fault occurs in a PROFINET device.

10.5.2.3 Data transmission

Properties

The PROFINET interface on a drive unit supports the simultaneous operation of:

- IRT – isochronous real-time Ethernet
- RT – real-time Ethernet
- Standard Ethernet services (TCP/IP, LLDP, UDP and DCP)

PROFIdrive telegram for cyclic data transmission, acyclic services

Telegrams to send and receive process data are available for each drive object of a drive unit with cyclic process data exchange.

In addition to cyclic data transfer, acyclic services can also be used for parameterizing and configuring the drive unit. These acyclic services can be utilized by the IO supervisor or IO controller.

Sequence of drive objects in the telegram

On the drive side, the sequence of drive objects in the telegram is displayed via a list in p0978[0...24] where it can also be changed.

You can use the STARTER commissioning tool to display the sequence of drive objects for a commissioned drive system in online mode in the project navigator under "Drive unit" > "Communication" > "Telegram configuration".

When you create the configuration on the controller side (e.g. HW Config), the process-data-capable drive objects for the application are added to the telegram in this sequence.

The following drive objects can exchange process data:

- Control Unit CU_DC
- ENC
- Terminal Board 30 (TB30)
- Terminal Module 15 (TM15)
- Terminal Module 31 (TM31)
- Terminal Module 150 (TM150)
- DC_CTRL

Note

The sequence of drive objects in HW Config must be the same as that in the drive (p0978).

The structure of the telegram depends on the drive objects taken into account during configuration. Configurations are permitted that do not take into account all of the drive objects that are present in the drive system.

Example:

The following configurations, for example, are possible:

- Configuration with CU_DC, DC_STRL
- Configuration with DC_CTRL, TM31, TM31
- etc.

10.5.2.4 Communication channels for PROFINET

Control Unit with CBE20

A Communication Board can be optionally inserted in the Control Unit CUD:

- The CBE20 Communication Board is a PROFINET switch with four PROFINET ports.

Overview of important parameters

(see the SINAMICS DCM List Manual)

- p8829 CBE20 remote controller number
- p8940[0...239] CBE20 name of station
- p8941[0...3] CBE20 IP address of station
- p8942[0...3] CBE20 default gateway of station
- p8943[0...3] CBE20 subnet mask of station
- p8944 CBE20 DHCP mode
- p8945 CBE20 interface configuration
- r8950[0...239] CBE20 name of active station
- r8951[0...3] CBE20 IP address of active station
- r8952[0...3] CBE20 default gateway of active station
- r8953[0...3] CBE20 subnet mask of active station
- r8954 CBE20 DHCP mode active
- r8955[0...5] CBE20 MAC address of station
- r8959 CBE20 DAP ID

10.5.3 Drive control with PROFINET

PROFINET interfaces

The CBE20 option module can be inserted in the option slot of a CUD. The CBE20 is a PROFINET switch with four ports.

Note

Ring topology

When connecting the ports, it must be ensured that for standard applications a ring topology is not created. Additional information on ring topologies can be found in Chapter Media redundancy (Page 475).

References

- The integration of a SINAMICS Control Unit in a PROFINET IO system is described in detail in System Manual "SIMOTION SCOUT Communication".
- For an example of how to link a Control Unit to a SIMATIC S7 via PROFINET IO, please refer to the FAQ "PROFINET IO communication between an S7-CPU and SINAMICS S120" on the Internet.
- For a description of the CBE20 and how you can use it in the drive, see Chapter Option Board: Communication Board Ethernet CBE20 (Page 190).

Telegrams

PROFIdrive telegrams are available for implementing cyclic communication via PROFINET IO (see Chapter "Communication according to PROFIdrive", cyclic communication).

DCP flashing

This function checks the correct assignment to a module and its interfaces.

1. In HW Config or the STEP 7 Manager, select the menu item "Target system" > Ethernet > Edit Ethernet node".

The "Edit Ethernet Node" dialog box opens.

2. Click the "Browse" button.

The "Browse Network" dialog box opens and displays the connected nodes.

3. Select the CUD with inserted CBE20 as node.

The "DCP flashing" function is then activated via the "Flash" button.

The "DCP flashing" function is activated on the RDY LED (READY LED 2 Hz, green/orange or red/orange) on the CUD.

The LED will continue to flash as long as the dialog is open. When the dialog is closed, the LED will go out automatically. The function is available as of STEP 7 V5.3 SP1 via Ethernet.

STEP 7 routing with CBE20

The CBE20 does not support STEP 7 routing between PROFIBUS and PROFINET IO.

Connecting the PC with the STARTER commissioning tool

You can go online with STARTER in a number of ways, which are illustrated below:

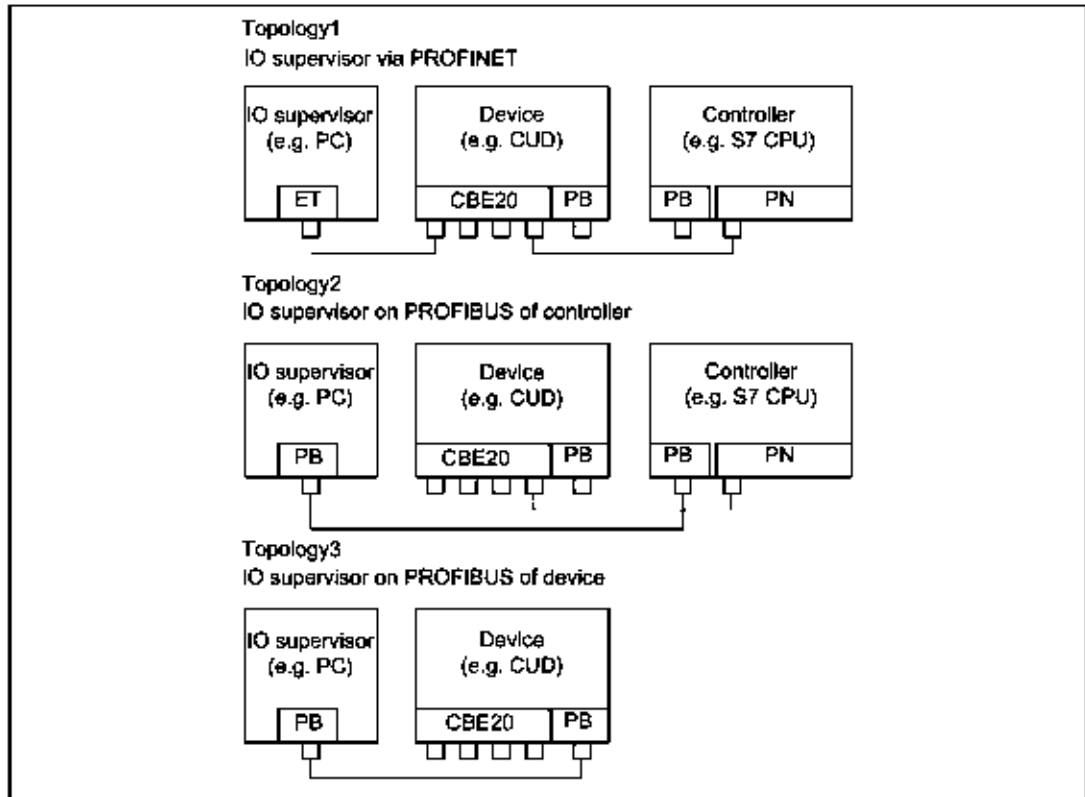


Figure 10-44 Connecting the IO supervisor

Note

SINAMICS does not support routing from PROFIBUS to PROFINET and vice versa.

Note

If a CBE20 module fails (e.g. due to a power failure) then communication with the subsequent nodes is interrupted at this point.

10.5.3.1 Media redundancy

To increase the availability of PROFINET, you can create a ring topology for redundancy purposes. If the ring is interrupted at one point, the data paths between the devices are automatically reconfigured. Following reconfiguration, the devices can once again be accessed in the resulting new topology.

To create a ring topology with media redundancy, route the two ends of a line-type PROFINET topology into one device, the SCALANCE device. Closing the linear bus topology is realized using two ports (ring ports) of the SCALANCE device. The Scalance device is the redundancy manager. The redundancy manager monitors the data telegrams in the PROFINET ring. All other connected PROFINET nodes are redundant clients.

The Media Redundancy Protocol (MRP) is the standard procedure for media redundancy. Using this procedure, a maximum of 50 devices can participate in each ring. In the case of an interrupted cable, data transfer is only briefly interrupted as the system switches over to the redundant data path.

If a short-term interruption is not permitted, data transfer must be set to IRT High Performance. The uninterruptible MRRT is automatically set.

From a CBE20, only the first two ports are capable of establishing a ring topology.

Note

In order to use the ring topology, the GSDML file version V2.3 must be installed.

This file can be found, for example, on the memory card as
"\\SIEMENS\SINAMICS\DATA\CFG\PNGSD.ZIP".

Configuring media redundancy

The ring topology is configured by appropriately configuring the participating devices individually in STEP 7.

10.5.4 RT classes for PROFINET IO

PROFINET IO is a scalable realtime communication system based on Ethernet technology. The scalable approach is expressed with three realtime classes.

RT

RT communication is based on standard Ethernet. The data is transferred via prioritized Ethernet telegrams. Because standard Ethernet does not support any synchronization mechanisms, isochronous operation is not possible with PROFINET IO with RT!

The real update cycle in which cyclic data is exchanged depends on the bus load, the devices used and the quantity framework of the I/O data. The update cycle is a multiple of the send cycle.

IRT

Two options are available with this RT class:

- IRT "high flexibility"
- IRT "high performance"

(Not supported by SINAMICS DCM)

Software preconditions for configuring IRT:

- STEP 7 5.4 SP4 (HW Config)

Note

For further information about configuring the PROFINET interface for the I/O controller and I/O device, please refer to the following document: SIMOTION SCOUT Communication System Manual.

IRT "high flexibility"

The telegrams are sent cyclically in a deterministic cycle (Isochronous Real Time). The telegrams are exchanged in a bandwidth reserved by the hardware. One IRT time interval and one standard Ethernet time interval are created for each cycle.

IRT "high performance"

Note

IRT "high performance" is not supported by SINAMICS DCM.

The IRT "high performance" real-time class is supported by the drives of the SINAMICS S110 and S120 series and is described here for reasons of completeness.

In addition to the bandwidth reservation, the telegram traffic can be further optimized by configuring the topology. This enhances the performance during data exchange and the deterministic behavior. The IRT time interval can thus be further optimized or minimized with respect to IRT "high flexibility".

In addition to the isochronous data transfer provided by IRT, even the application itself (position control cycle, IPO cycle) can be isochronous in the devices. This is an essential requirement for closed-loop axis control and synchronization via the bus. Isochronous data transfer with cycle times well below one millisecond and with a deviation in the cycle start (jitter) of less than a microsecond provide sufficient performance reserves for demanding motion control applications.

The RT classes IRT "high flexibility" and IRT "high performance" can be selected as options in the synchronization settings configuration area of HW Config. In the description below, both these classes are simply referred to as "IRT".

In contrast to standard Ethernet and PROFINET IO with RT, the telegrams for PROFINET IO with IRT are transferred according to a schedule.

Modules

The following S110/S120 modules support the IRT "high performance":

- S120 CU320 together with the CBE20
- S120 CU320-2 DP together with the CBE20
- S120 CU320-2 PN
- S120 CU310 PN
- S120 CU310-2 PN
- S110 CU305 PN

Comparison between RT and IRT

Table 10- 36 Comparison between RT and IRT

RT class	RT	IRT "high flexibility"	IRT "high performance"
Transmission mode	Switching based on the MAC address; prioritization of the RT telegrams possible using Ethernet-Prio (VLAN tag)	Switching using the MAC address; bandwidth reservation by reserving an IRT "high flexibility" interval in which only IRT "high flexibility" frames are transferred but, for example, no TCP/IP frames.	Path-based switching according to a topology-based plan; no transmission of TCP/IP frames and IRT "high flexibility" frames in the IRT "high performance" interval.
Isochronous application in the IO controller	No	No	Yes
Determinism	Variance of the transmission duration by started TCP/IP telegrams	Guaranteed transmission of the IRT "high flexibility" telegrams in the current cycle by the reserved bandwidth.	Exactly planned transfer; times for transmission and receiving are guaranteed for any topologies.
Reload the network configuration after a change	Not relevant	Only when the size of the IRT "high flexibility" interval needs to be modified (reservation of position is possible).	Always when the topology or the communications relationships change.
Maximum switching depth (number of switches in one line)	10 at 1 ms	61	64
For possible send cycles, see subitem "Send cycles and update cycles for RT classes" in table "Adjustable send cycles and update cycles"			

Set the RT class

The RT class is set by means of the IO controller interface properties. If RT class IRT "high performance" is set, it is not possible to operate any IRT "high flexibility" devices on the IO controller and vice versa. IO devices with RT can always be operated, regardless of the IRT class setting.

You can set the RT class in the HW Config for the associated PROFINET device.

1. In HW Config, double-click item PROFINET interface in the module.

The "Properties" dialog box opens.

2. Select the RT class under RT class on the "Synchronization" tab.
3. Once you have selected "IRT", you can also choose between option "high flexibility" and "high performance".

Note

The "high performance" option must not be selected for SINAMICS DCM (an error message is issued).

4. Confirm with "OK".

Synchronization domain

The sum of all devices to be synchronized form a synchronization domain. The whole domain must be set to a single, specific RT class (real-time class) for synchronization. Different synchronization domains can communicate with one another via RT.

For IRT, all IO devices and IO controllers must be synchronized with a common synchronization master.

RT allows an IO controller to communicate with a drive unit outside a synchronization domain or "through" another synchronization domain. As of version 5.4 SP1, STEP 7 supports multiple synchronization domains on a single Ethernet subnet.

Example:

- Synchronization domain IRT: SIMOTION2 with SINAMICS
- SINAMICS, which is assigned to the IO system of SIMOTION1, is arranged in the topology in such a way that its RT communication must be established through the IRT synchronization domain.

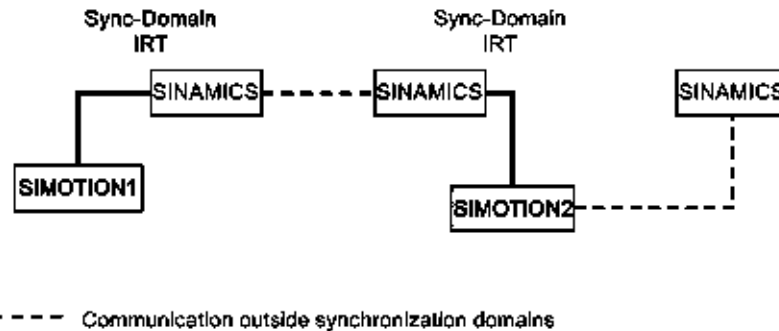


Figure 10-45 RT communication across the limits of synchronization domains

Update cycles and send cycles for RT classes

Definition of the update time / send cycle:

If we take a single IO device in the PROFINET IO system as an example, this device has been supplied with new data (outputs) by the IO controller and has transferred new data (inputs) to the IO controller within the update time. The send cycle is the shortest possible update cycle.

All cyclic data is transferred within the send cycle. The actual send cycle that can be set depends on various factors:

- Bus load
- Type of devices used
- Computing capacity available in the IO controller
- Supported send clocks in the participating PROFINET devices of a synchronization domain. A typical send cycle is, e.g. 1 ms.

The table below specifies the reduction ratios which can be set between the send cycle and the update times for IRT "high performance", IRT "high flexibility", and RT.

Table 10- 37 Settable send cycles and update cycles

Send cycle		Reduction ratio between update and send cycles	
		RT IRT "high flexibility" ⁴⁾	IRT "high performance"
Range "even" ¹⁾	250, 500, 1000 µs	1, 2, 4, 8, 16, 32, 64, 128, 256, 512	1, 2, 4, 8, 16 ²⁾
	2000 µs	1, 2, 4, 8, 16, 32, 64, 128, 256	1, 2, 4, 8, 16 ²⁾
	4000 µs	1, 2, 4, 8, 16, 32, 64, 128	1, 2, 4, 8, 16 ²⁾
Range "odd" ³⁾	375, 625, 750, 875, 1125, 1250 µs ... 3875 µs (increment 125 µs)	Not supported ⁵⁾	1

Explanations for the above table:

- 1) It is only possible to set send cycles from the "even" range when IO devices with RT class "RT" are assigned to a synchronization domain. Likewise, only the reduction ratios from the "even" range can be set for a send cycle setting from the "even" range.
- 2) It is generally only possible to set a reduction ratio of 1:1 between the update time and send cycle for IO devices (ET200S IM151-3 PN HS, SINAMICS S) which are operated in isochronous mode. In this case, the update time mode must always be set to "fixed factor" (under "I/O device" properties, "IO cycle" tab, "Mode" drop-down menu). This means that STEP 7 will not automatically adjust the update cycle and thus the update cycle will always correspond to the send cycle.
- 3) The send cycles from the "uneven" range can be set only if a synchronization domain does not include any IO devices with RT class "RT". Likewise, only the reduction ratios from the "uneven" range can be set for a send cycle setting from the "uneven" range.
- 4) Isochronous operation is not compatible with IRT "high flexibility".
- 5) Uneven send cycles can be used only if the IO systems assigned to the synchronization domain do not include any RT or IRT "high flexibility" devices.

Furthermore, the send cycles which can actually be set are determined by the intersection of the send cycles supported by all the devices in the synchronization domain.

The reduction ratio between the update cycle of an IO device and the send cycle is set in the "Properties" of the PROFINET interface for the relevant device.

Note

There is no intersection between the send cycles for the "even" and "odd" ranges!

Send cycles for SINAMICS drive units

A SINAMICS drive unit with PROFINET interface which supports IRT permits send cycle settings of between 0.25 ms and 4.0 ms in a 250 µs time frame.

Topology rules

Topology rules for RT

- A topology can be, but need not be configured for RT. If a topology has been configured, the devices must be wired in accordance with the topology.
- Otherwise, the wiring between devices is entirely optional.

Topology rules for IRT

- Mixed operation is not supported by STEP 7 V5.4 SP4, i.e. IRT "high performance" cannot be combined with IRT "high flexibility" in the same synchronization domain.
- A synchronization domain with IRT "high performance" can contain a maximum of one IRT "high performance" island. "Island" means that the devices must be interconnected to match the configured topology. A synchronization master must be positioned in the relevant island.
- IRT "high flexibility" is subject to the same topology rules as IRT "high performance", the only exception being that a topology does not need to be configured. However, if a topology has been configured, the devices must be wired to match the topology.

Device selection in HW Config

Hardware catalog:

The drive unit from the appropriate device family entry in the hardware catalog must be configured.

10.5.5 PROFINET GSDML

As with PROFIBUS, when DriveES is present, the device can be inserted using a DriveES/STARTER interface or using a GSDML file.

The GSDML file is available as a zip archive on the memory card with the current firmware:

```
\\Siemens\SINAMICS\DATA\CFG\PNGSD.zip
```

See Chapter Ordering information for options and accessories (Page 30) for ordering data of the memory card.

Alternatively, the GSDML file can be requested from the Customer Support.

Table 10- 38 Submodules depending on the particular drive object

Module	Subslot 1 MAP	Subslot 2 PROFIsafe	Subslot 3 PZD telegram	Subslot 4 PZD extension	Max. number of PZD
D_CTRL	MAP	-	Telegrams: 1...352 free PZD-16/16, 32/32	PZD-2/2, -2/4, -2/6	64/64
Encoder	MAP	Reserved	Telegrams: 81, 82, 83 free PZD-4/4	PZD-2/2, -2/4, -2/6	4/12
TM31, TM15, DI_DO	MAP	Reserved	Telegrams: no free PZD-4/4	Reserved	5/5
TM150	MAP	Reserved	Telegrams: no free PZD-4/4	Reserved	7/7
Control Unit	MAP	Reserved	Telegrams: 390, 391, 392, 393, 394, 395 free PZD-4/4	Reserved	5/21
TM15/TM17	Not supported.				

The telegrams in subslots 2, 3 and 4 can be freely configured, i.e. they can also remain empty.

10.5.6 Communication with CBE20

The CBE20 is a Communication Board that can be flexibly used and which can be operated with different communication profiles. Only one firmware of a communication profile can be loaded at any one time. The available firmware files are saved with the communication profiles in UFW files on the Control Unit memory card.

The required file is selected using parameter p8835. A POWER ON must be carried out after selecting the desired UFW file. During the subsequent system boot, the corresponding UFW file is loaded. The new selection then becomes active.

Table 10- 39 UFW files and selection in the pointer file

UFW file and folder on the memory card	Functionality (p8835)	Pointer file content
/SIEMENS/SINAMICS/CODE/CB/CBE20_1.UFW	PROFINET device	1
/SIEMENS/SINAMICS/CODE/CB/CBE20_2.UFW	PN_Gate	2
/SIEMENS/SINAMICS/CODE/CB/CBE20_3.UFW	SINAMICS Link	3
/SIEMENS/SINAMICS/CODE/CB/CBE20_4.UFW	EtherNet/IP	4
/OEM/SINAMICS/CODE/CB/CBE20.UFW	Customized	99

Identification of the firmware version

Using parameter r8858, the loaded firmware version of the PROFINET interface can be identified uniquely.

Overview of important parameters (see SINAMICS DCM List Manual)

- p8835 CBE20 firmware selection
- r8858[0...39] COMM BOARD read diagnostics channel

10.5.6.1 EtherNet/IP

SINAMICS DCM supports the communication with the fieldbus EtherNet Industrial Protocol (EtherNet/IP or also EIP). EtherNet/IP is an open standard based on Ethernet, which is predominantly used in the automation industry. EtherNet/IP is supported by the Open DeviceNet Vendor Association (ODVA).

For communication with EtherNet/IP, an Ethernet CBE20 option board is required. By setting p8835 = 4, you can choose the communication profile EtherNet/IP. After POWER ON, the profile becomes active.

10.5.7 Messages via diagnostics channels

Messages can be displayed not only via the well-known commissioning tools (STARTER, SCOUT). After the activation of a diagnostic function, the messages are also transferred to the higher-level controller via the standardized diagnostic channels. The messages are evaluated there or forwarded for convenient display to the corresponding user interfaces (SIMATIC HMI, TIA Portal, etc.). The messages are shown on the respective user interfaces similarly as in STARTER.

In this way, problems or faults can be located immediately regardless of the tool currently being used, and then corrected immediately. No further tools must therefore be called for the correction.

Activating the diagnostics function

The diagnostics function is activated or deactivated via the parameterization of the relevant configuration tool (HW Config, TIA Portal, etc.).

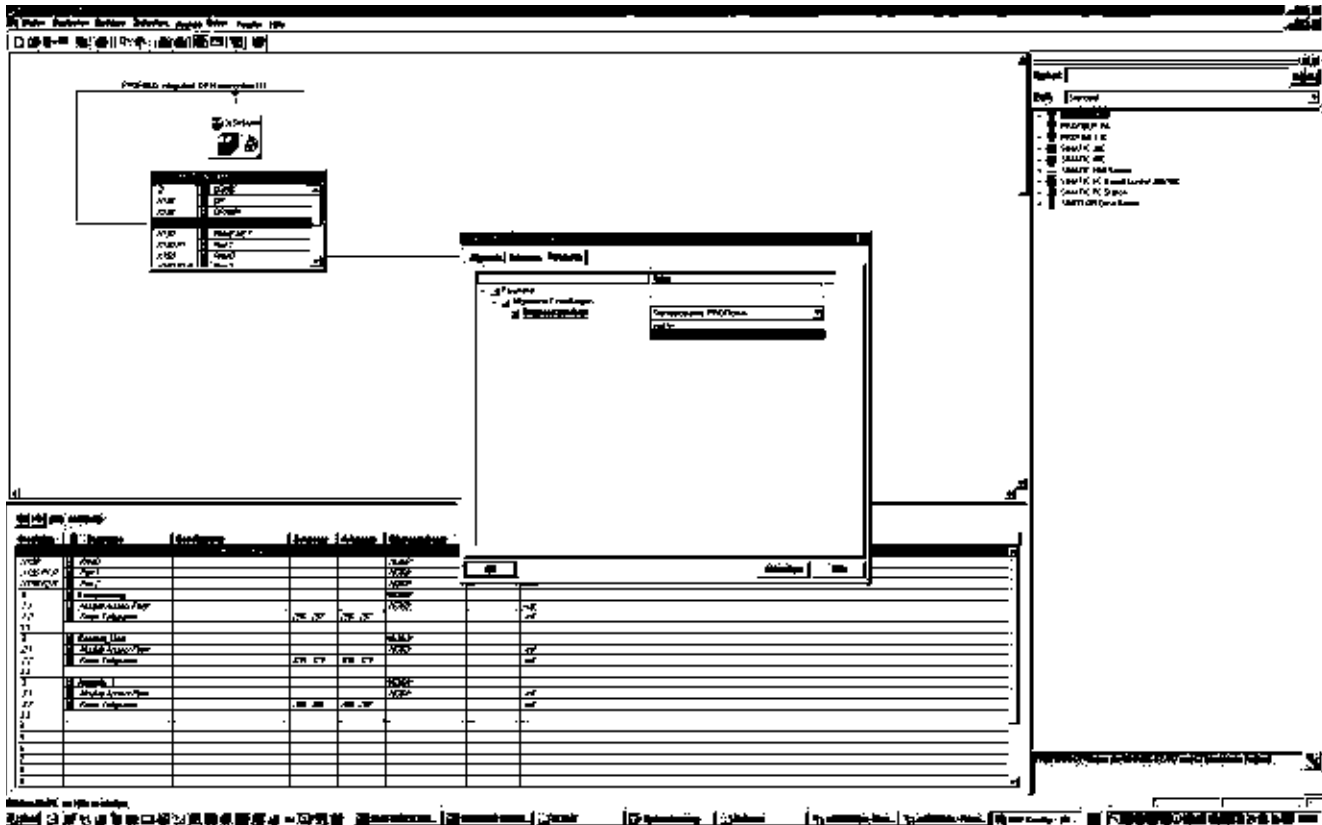


Figure 10-46 Activation of PROFINET

The following parameter assignments are possible:

Setting	Code for parameter assignment
Inactive	0
PROFdrive error classes	1

When establishing the communication between SINAMICS and a master/controller, the activated diagnostics mode of this master/controller is first transferred to the drive. With activated diagnostics, SINAMICS first transfers all pending messages to the master/controller.

Messages

The following PROFdrive error texts are displayed during forwarding via the PROFINET diagnostics channel:

Hardware/software fault

A hardware or software malfunction was detected. Carry out a POWER ON for the relevant component. If it occurs again, contact the hotline.

Line supply fault

A line supply fault has occurred (phase failure, voltage level, etc.). Check the line supply and fuses. Check the supply voltage. Check the wiring.

Supply voltage fault

An electronic power supply fault (48 V, 24 V, 5 V, etc.) was detected. Check the wiring. Check the voltage level.

Power electronics faulted

An impermissible operating state of the power electronics was detected (overcurrent, overtemperature, etc.). Check compliance with the permissible load cycles. Check the ambient temperatures (fan).

Overtemperature of an electronic component

The temperature in the component has exceeded the highest permissible limit. Check the ambient temperature / control cabinet ventilation.

Ground fault / inter-phase short-circuit detected

A ground fault / inter-phase short-circuit was detected in the power cables or in the motor windings. Check the power cables (connection). Check the motor.

Motor overload

The motor was operated outside the permissible limits (temperature, current, torque, etc.). Check the load cycles and set limits. Check the ambient temperature / motor cooling.

Communication to the higher-level controller faulted

The communication to the higher-level controller (internal coupling, PROFIBUS, PROFINET, etc.) is faulted or interrupted. Check the state of the higher-level controller. Check the communication connection/wiring. Check the bus configuration/cycles.

Actual position/speed value incorrect or not available

An illegal signal state was detected while evaluating the encoder signals (track signals, zero marks, absolute values, etc.). Check the encoder / state of the encoder signals. Observe the maximum permissible frequencies.

Internal (DRIVE-CLiQ) communication faulted

The internal communication between the SINAMICS components is faulted or interrupted. Check the DRIVE-CLiQ wiring. Ensure an EMC-compliant installation. Observe the maximum permissible quantity structures / cycles.

External measured value / signal state outside of the permissible range

A measured value / signal state read-in via the input area (digital/analog/temperature) has assumed an impermissible value/state. Identify and check the relevant signal. Check the set thresholds.

Application / technological function disrupted

The application / technological function has exceeded a (set) limit (position, velocity, torque, etc.). Identify and check the relevant limit. Check the setpoint specification of the higher-level controller.

Error in the parameterization/configuration/commissioning procedure

An error was identified in the parameterization or in a commissioning procedure, or the parameterization does not match the actual device configuration. Determine the exact cause of the error with the commissioning tool, adapt the parameterization or device configuration.

General drive fault

Group fault, determine the exact cause of the fault with the commissioning tool.

Auxiliary unit faulted

The monitoring of an auxiliary unit (incoming transformer, cooling unit, etc.) has detected an illegal state. Determine the exact cause of the error and check the relevant device.

10.6 Communication via SINAMICS Link

10.6.1 Basic principles of SINAMICS Link

A drive unit (with a node number) most frequently comprises a Control Unit with a number of connected drive objects (DOs). SINAMICS Link allows data to be directly exchanged between up to 64 CU320-2 PN or CU320 -2 DP Control Units or CUD. The SINAMICS Link requires the CBE20 additional module. All participating Control Units must be equipped with a CBE20. Possible applications are, for example:

- Torque distribution for n drives
- Setpoint cascading for n drives
- Load distribution of drives coupled through a material web
- Master/slave function for infeed units
- Links between SINAMICS DC MASTER and SINAMICS S120

Requirements

The following preconditions must be fulfilled to operate SINAMICS Link:

- r2064[1]: The bus cycle time (T_{dp}) must be an integer multiple of p0115[0] (current controller cycle).
- r2064[2]: The master cycle time (T_{mapc}) must be an integer multiple of p0115[1] (speed control cycle).
- The CBE20 must be parameterized as IF1.

This is performed automatically when creating the CBE20 in the CU configuration.

p8839.0 = 99

p8839.1 = 99

or

p8839.0 = 2

p8839.1 = 2

Send and receive data

The SINAMICS Link telegram contains 16 slots (0...15) for the process data (PZD1...16). Each PZD is precisely 1 word long (= 16 bits). Slots that are not required are automatically filled with zeros.

Slot	0	1	2	3	4	5	6	7	8	9	10	11	12	13	14	15
PZD	1	2	3	4	5	6	7	8	9	10	11	12	13	14	15	16

SINAMICS Link telegram contents

Each transfer cycle, every SINAMICS Link node can send one telegram with 16 PZD. Each node receives all of the telegrams that are sent. For each transfer cycle, a node can select and process up to 16 PZD from all telegrams that have been received. Single words and double words can be sent and received. You must write double words in two consecutive PZD.

Limitations:

- In a telegram, a PZD may only be sent and received once. If a PZD occurs more than once in a telegram, then Alarm A50002 or A50003 is output.
- It is not possible to read in your own send data. Alarm A50006 is then output.
- The maximum number of PZD that can be received and sent also depends on the drive object. The number of PZD that can be evaluated corresponds to communication according to PROFIdrive; however, for SINAMICS Link, it is limited to a maximum of 16 PZD.

Transmission time

With SINAMICS Link, a transmission time of 1000 μ s is possible (with a max. controller cycle of 500 μ s; synchronous bus cycle, 500 μ s).

Bus cycle and number of nodes

You can operate the bus cycle of the SINAMICS Link with the current controller cycle, either synchronized or non-synchronized.

Synchronized operation is set with $p8812[0] = 1$. A maximum of 16 nodes can then communicate with one another via SINAMICS Link. To do so, set the maximum number of nodes with $p8811 = 16$.

In the non-synchronized mode, the bus cycle of the SINAMICS Link can be set with $p8812[1]$ to between 1000 μ s and 2000 μ s. Then, via $p8811$, a maximum of 64 SINAMICS Link nodes can communicate with one other.

After changing over parameters $p8811$ and $p8812$, carry out a POWER ON to accept the settings.

10.6.2 Topology

Only a line topology with the following structure is permitted for SINAMICS Link. You must manually set the parameters in the expert lists of the Control Units and drive objects. To do this, use the STARTER commissioning tool.

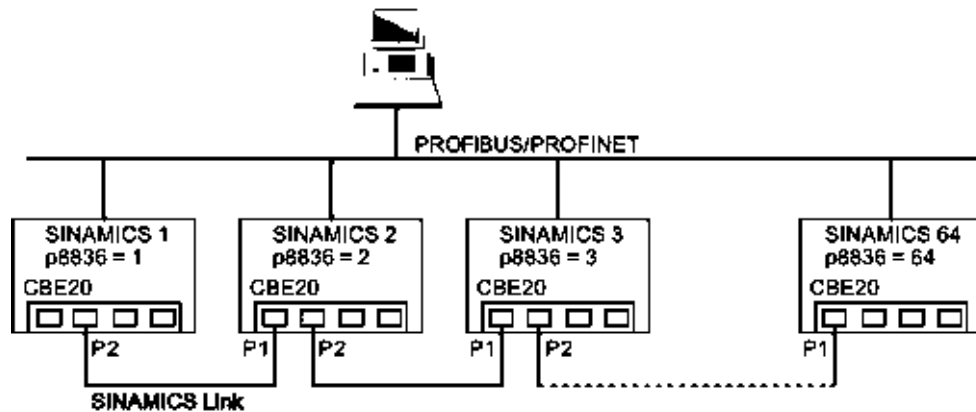


Figure 10-47 Maximum topology

- If SINAMICS Link is set, then CBE20 always operates via IF1.
- The integrated bus interfaces of a Control Unit, for example, for PROFIBUS or PROFINET, then operate via IF2.
- The number of the respective node must be entered manually in parameter p8836. Each node must be assigned a different number. Enter the numbers in ascending order starting with 1.
- If p8836 is set to 0, the nodes and the complete following line is shut down for SINAMICS Link.
- Gaps in the numbering are not permitted.
- The associated IP addresses are assigned automatically, but are however not visible.
- The node with the number 1 is automatically the sync master of the communication link.
- A maximum of 64 nodes are possible for a communication cycle between 1000 μ s and 2000 μ s.
- A maximum of 16 nodes are possible in the isochronous mode at 500 μ s.
- The ports of the CBE20 must be interconnected strictly in accordance with the above diagram. You must always connect port 2 (P2) of node n with port 1 (P1) of node n+1.
- Ports 3 and 4 of the CBE20 are shutdown in the SINAMICS Link mode.

10.6.3 Configuring and commissioning

When commissioning, proceed as follows:

1. Set the Control Unit parameter p0009 = 1 (device configuration).
2. Set the Control Unit parameter p8835 = 3 (SINAMICS Link).
3. Set parameter p2037 of the drive objects to "2" (do not freeze setpoints).
4. Assign the nodes in parameter p8836 to the SINAMICS Link node number. The first Control Unit is always assigned the number 1. Node number 0 means that for this Control Unit SINAMICS Link has been shut down. Observe the specifications under "Topology".
5. Set the Control Unit parameter p0009 = 0 (ready).
6. Then execute a "Copy RAM to ROM".
7. Carry out a POWER ON (switch off the Control Unit and switch on again).

Sending data

In this example, the first node has Control Unit 1, two drive objects, drive 1 and drive 2. Proceed as follows to send data:

1. For each drive object, in their associated parameters p2051[0...15], define which data (PZD) should be sent. The data is simultaneously reserved in the send slot of the p8871[0...15].
2. You must enter double words in p2061[x]. Double word data is simultaneously written to p8861[0...15].
3. For each drive object, allocate the send parameters in p8871[0...15] to a send slot of its own node.

Table 10- 40 Compile send data of drive 1 (DO2)

p2051[x] Index	p2061[x] Index	Contents	From pa- rameter	Slots in the send buffer p8871[x]	
				x	PZD
0	-	ZSW1	r0899	0	PZD 1
-	1	Actual speed value part 1	r0061[0]	1	PZD 2
-		Actual speed value part 2		2	PZD 3
-	3	Actual torque value part 1	r0080	3	PZD 4
-		Actual torque value part 2		4	PZD 5
5	-	Actual fault code	r2131	5	PZD 6
...	
15	-	0	0	15	PZD 16

Table 10- 41 Compile send data of drive 2 (DO3)

p2051[x] Index	p2061[x] Index	Contents	From pa- rameter	Slots in the send buffer p8871[x]	
				x	PZD
0	-	ZSW1	r0899	6	PZD 7
-	1	Actual speed value part 1	r0061[0]	7	PZD 8
-		Actual speed value part 2		8	PZD 9
-	3	Actual torque value part 1	r0080	9	PZD 10
-		Actual torque value part 2		10	PZD 11
5	-	Actual fault code	r2131	11	PZD 12
...	
15	-	0	0	15	PZD 16

Table 10- 42 Compile send data of Control Unit 1 (DO1)

p2051[x] Index	p2061[x] Index	Contents	From pa- rameter	Slots in the send buffer p8871[x]	
				x	PZD
0	-	Control word, faults/alarms	r2138	12	PZD 13
-	1	Missing enables part 1	r0046	13	PZD 14
-		Missing enables part 2		14	PZD 15
15	-	0	0	15	PZD 16

Send slot PZD 16 is not required for this telegram and is therefore filled with a zero.

1. Double words (e.g. 1 + 2) are assigned two consecutive send slots, e.g.
p2061[1] => p8871[1] = PZD 2 and p8871[2] = PZD 3.
2. Enter the following PZD into the next parameter slots of p2051[x] or p2061[2x].
3. Unused slots of p8871[0...15] are filled with zeros.
4. The sequence of the PZD in the send telegram of this node is defined in parameter p8871[0...15] by the entries in the required slots.
5. The telegram is sent at the next bus cycle.

Receiving data

The sent telegrams of all nodes are simultaneously available at the SINAMICS Link. Each telegram has a length of 16 PDA. Each telegram has a marker of the sender. You select those PZD that you want to receive for the relevant node from all telegrams. You can process a maximum of 16 PZD.

Note

If you have not deactivated the evaluation of bit 10 with p2037 = 2, the first word of the receive data (PZD 1) must be a control word, where bit 10 = 1 is set.

In this example, Control Unit 2 receives selected data from the telegram of Control Unit 1. Proceed as follows to receive data:

1. In parameter p8872[0...15] enter the address of the node for which you want to read one or more PZD (e.g. p8872[3] = 1 => from node 1, read in PZD 4, p8872[15] = 0 => do not read in PZD 16).
2. After setting the parameters, you can read out the values via parameters r2050[0...15] or r2060[0...15].

Table 10- 43 Receive data for Control Unit 2

From the sender		Receiver					
Transfer from	Tel. word p8871[x]	Address p8872[x]	Receive buffer p8870[x]	Data transferred in		Parameter	Contents
				r2050[x]	r2060[x]		
p2051[0]	0	1	PZD 1	0	-	r0899	ZSW1
p2061[1]	1	1	PZD 2	-	1	r0061[0]	Actual speed value part 1
	2	1	PZD 3	-		r0061[0]	Actual speed value part 2
p2061[3]	3	1	PZD 4	-	3	r0080	Actual torque value part 1
	4	1	PZD 5	-			Actual torque value part 2
p2051[5]	5	1	PZD 6	5	-	r2131	Actual fault code
p2051[4]	6	1	PZD 7	6	-	r0899	ZSW1
p2061[5]	7	1	PZD 8	-	7	r0061[0]	Actual speed value part 1
	8	1	PZD 9	-			Actual speed value part 2
p2061[6]	9	1	PZD 10	-	9	r0080	Actual torque value part 1
	10	1	PZD 11	-			Actual torque value part 2
p2051[7]	11	1	PZD 12	11	-	r2131	Actual fault code
p2051[8]	12	1	PZD 13	12	-	2138	Control word, faults/alarms
p2061[9]	13	1	PZD 14	-	13	r0046	Missing enables part 1
	14	1	PZD 15	-			Missing enables part 2
-	15	0	PZD 16	15	-	0	Empty

Tel. word = telegram word

Note

For double words, two PZD must be read in succession. Read a 32-bit setpoint that is at PZD 2+PZD 3 of the telegram from node 2, and map this to PZD 2+PZD 3 of node 1:
p8872[1] = 2, p8870[1] = 2, p8872[2] = 2, p8870[2] = 3

Activation

To activate SINAMICS Link connections, perform a POWER ON for all nodes. The assignments of p2051[x]/2061[2x] and the links of the read parameters r2050[x]/2060[2x] can be changed without a POWER ON.

10.6.4 Example**Task**

Configure the speed control of a SINAMICS DCM on a CU320-2 to increase the computational performance when using SINAMICS Link and DCC.

- Send data from SINAMICS DCM to CU320-2:
 - r0898 CO/BO: Control word SINAMICS DCM (1 PZD), in the example PZD 1
 - r0899 CO/BO: Status word SINAMICS DCM (1 PZD), in the example PZD 2
 - r52211 CO: Fixed setpoint output to AOP30 (1 PZD), in the example PZD3
 - r52013 CO: Analog input, main actual value (1 PZD), in the example, PZD4
- Send data from CU320-2 to SINAMICS DCM:
 - r21530 CO: Output, PI controller (1 PZD), in the example, PZD 1

Procedure

1. For all nodes, set the SINAMICS Link mode: DO1 p8835 = 3
2. Assign node numbers for the two devices:
 - SINAMICS DCM: DO1 p8836 = 1
 - CU320-2: DO1 p8836 = 2

3. Insert the DCC plan for the speed control at the CU320-2:
 - Ensure that the technology package is available on the CU320-2.
 - Create the DCC chart and generate the following chart

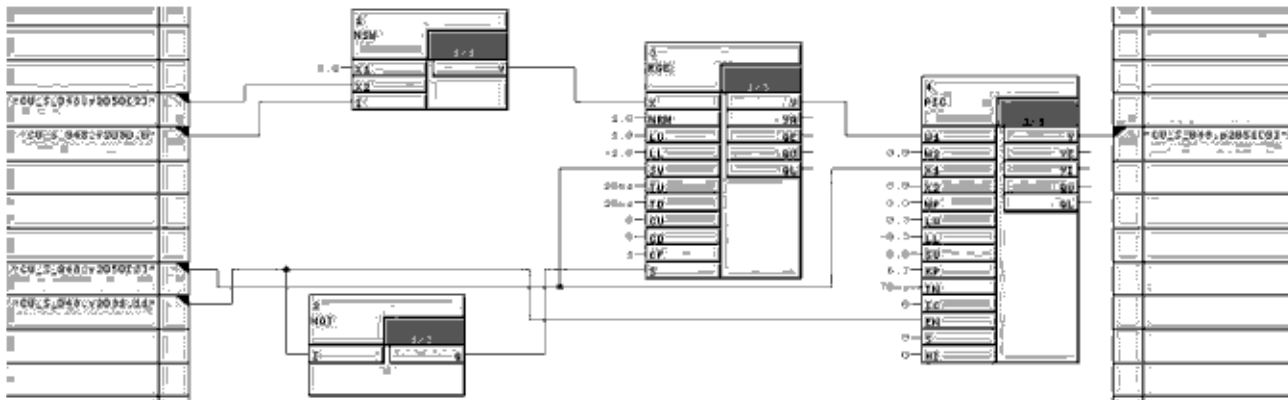


Figure 10-48 DCC chart

The values set in this example for LU, LL, TV, TD of the ramp-function generator and LU, LL, KP, TN of the PI controller must be appropriately adapted. The inputs and outputs of the DCC blocks must be correspondingly defined as BICO and interconnected with the corresponding parameters according to the diagram.

4. Define the send data (SINAMICS DCM):
 - Define the PZD to be sent for the SINAMICS DCM:
 - DO2 p2051.0 = r0898
 - DO2 p2051.1 = r0899
 - DO2 p2051.2 = r52211
 - DO2 p2051.3 = r52013
 - Assign this PZD to the send buffer (p8871) of its own DO:
 - DO2 p8871.0 = 1 (SINAMICS Link send PZD 0 = DO2 p2051.0)
 - DO2 p8871.1 = 2 (SINAMICS Link send PZD 1 = DO2 p2051.1)
 - DO2 p8871.2 = 3 (SINAMICS Link send PZD 2 = DO2 p2051.2)
 - DO2 p8871.3 = 4 (SINAMICS Link send PZD 3 = DO2 p2051.3)
 - This means that you have defined the position of the data in the 16-word telegram of the drive unit.
5. Define the receive data (SINAMICS DCM):
 - Define that receive buffer 0 should be filled with data from CU320-2:
 - DO2 p8872.0 = 2
 - Define that PZD 1 of CU320-2 should be saved in this buffer:
 - DO2 p8870.0 = 1
6. Define the send data (CU320-2):
 - For the CU320-2, define the PZD to be sent:
 - DO1 p2051.0 = r21530 (output of the DCC closed-loop control)

7. Define the receive data (CU320-2):
 - Define that the receive buffer 0 should be filled with data from SINAMICS DCM:
 - DO1 p8872.0 = 1
 - DO1 p8872.1 = 1
 - DO1 p8872.2 = 1
 - DO1 p8872.3 = 1
 - Define that PZD1 of SINAMICS DCM should be saved in this buffer:
 - DO1 p8870.0 = 1
 - DO1 p8870.1 = 2
 - DO1 p8870.2 = 3
 - DO1 p8870.3 = 4
8. Carry out a RAM to ROM and then a power cycle at all components to activate the SINAMICS Link connections.

10.6.5 Communication failure during power-up or in cyclic operation

If at least one sender does not correctly boot after commissioning or fails in cyclic operation, then alarm A50005 is output to the other nodes: "Sender was not found on the SINAMICS Link."

The message contains the number of the faulted node. After you have resolved the fault at the node involved and the system has identified the node, the system automatically withdraws the alarm.

If several nodes are involved, the message occurs a multiple number of times consecutively with different node numbers. After you have resolved all of the faults, the system automatically withdraws the alarm.

When a node fails in cyclic operation, in addition to alarm A50005, fault F08501 is output: "COMM BOARD: Monitoring time, process data expired"

10.6.6 Example: Transmission times for SINAMICS Link

Transmission times at a communication cycle of 1 ms

p2048/p8848 = 1 ms

Bus cycle	Transmission time			
	Sync both	Sync send	Sync receive	Async both
0.5	1.0	1.5	1.3	1.6
1.0	1.5	2.1	2.1	2.2
2.0	3.0	3.6	3.1	2.8

Transmission times at a communication cycle of 4 ms

p2048/p8848 = 4 ms

Bus cycle	Transmission time			
	Sync both	Sync send	Sync receive	Async both
0.5	1.0	3.0	2.8	4.6
1.0	1.5	3.6	3.6	5.2
2.0	3.0	5.1	4.6	5.8

10.6.7 Function diagrams and parameters

Function diagrams (see the SINAMICS DCM List Manual)

- 2194 CU_LINK - Data transfer

Overview of important parameters (see SINAMICS DCM List Manual)

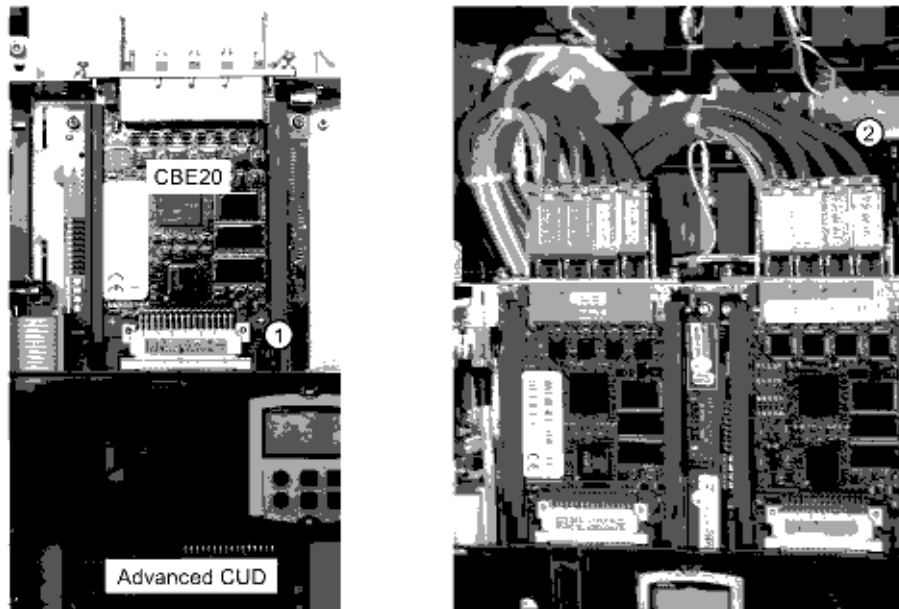
- p2037 IF1 PROFIdrive STW1.10 = 0 mode
- r2050[0...19] CO: IF1 PROFIdrive PZD receive word
- p2051[0...14] CI: IF1 PROFIdrive PZD send word
- r2060[0...18] CO: IF1 PROFIdrive PZD receive double word
- p2061[0...26] CI: IF1 PROFIdrive PZD send double word
- p8811 SINAMICS Link project selection
- p8812[0...1] SINAMICS Link settings
- p8835 CBE20 firmware selection
- p8836 SINAMICS Link address
- p8870 SINAMICS Link telegram word PZD receive
- p8871 SINAMICS Link telegram word PZD send
- p8872 SINAMICS Link address PZD receive

10.7 EtherNet/IP

10.7.1 Connection of SINAMICS DCM with EtherNet/IP to Ethernet networks

The SINAMICS DC MASTER version with option G20/G21 (CBE20 Communication Board left/right) is required for the connection to EtherNet/IP. See Chapter Ordering information for options and accessories (Page 30) for ordering data.

For further details on the CBE20 module, see Chapter Option Board: Communication Board Ethernet CBE20 (Page 190).



Picture left: Communication Board Ethernet CBE20 inserted in the option module slot ① of an Advanced CUD

Picture right: Maximum configuration with two CBE20. Four Ethernet cables ② for each CBE20.

Figure 10-49 CBE20

10.7.2 Configuration of SINAMICS DCM for EtherNet/IP

10.7.2.1 Setting the IP address and activating the EtherNet/IP protocol

Requirements

- Version with option G00/G10 (Advanced CUD)
- MMC memory card with firmware version as of 1.4 to load the CBE20 firmware for EtherNet/IP to the CBE20. The CBE20 firmware is installed as standard for PROFINET.
See also the information on the hardware/software compatibility in the preface.
- CBE20

The IP configuration is performed via STARTER or through direct parameter input via the BOP or AOP30.

Table 10- 44 Settable parameters on the drive object CU

Parameter		Note
p8941	IP address	Setting is mandatory
p8943	Subnet screen	Setting is mandatory
p8942	Default gateway	-
p8940	Name of station	In contrast to PROFINET, setting is not mandatory.
p8945=2	Save and activate IP configuration	Setting must be made when the parameters are entered directly.

In addition to direct input, the IP address can also be obtained via DHCP.

Configuration of EtherNet/IP on the drive unit

1. For setting the IP address directly via parameters, see above.
2. Activation of EtherNet/IP
 - Insert the memory card with firmware version as of 1.4 into the appropriate slot of the CUD.
 - Set access level 3 (p0003=3) in the drive object CU (BOP object 1) via STARTER, BOP or AOP30.
 - Activate the device configuration on the CU by setting p0009=1.
 - Activate EtherNet/IP by setting p8835=4 on the CU.
 - Complete the device configuration on the CU by setting p0009=0.
 - Save the parameters (copy RAM to ROM).
 - Switch the device off and on again.
 - After power-up, the SINAMICS DC MASTER is visible as Ethernet/IP slave in the network.

10.7.2.2 Communication with the SINAMICS DCM

The Ethernet/IP communication with the SINAMICS DCM is possible with two CIP types:

- IMPLICIT: For cyclic I/O data (setpoints, actual values, control and status words)
- EXPLICIT: For acyclic message requests ("explicit messaging")

The following CIP / messaging classes are available for the SINAMICS DCM:

Class code (hex)	Class code	Object name
0x01	1	Identity object
0x04	4	Assembly object
0x06	6	Connection Manager object
0x32C*	7	Drive object
0x91	-	Reading and writing parameters via DS47
0x401 - 0x43E	1025 - 1086	Parameter object (reading/writing a single parameter value)

“Implicit messaging” – cyclic communication as I/O slave

The cyclic communication is represented by Class 4 and the assembly object structure.

As standard, the SINAMICS DCM as I/O slave exchanges cyclic process data (PZDs) with a PLC or another control system.

Process data is the cyclic information such as control and status words as well as actual values and setpoints.

The following I/O assembly settings must be made (from the PLC perspective):

Assembly 101 – receive data:	Length depends on the user settings
Assembly 102 – send data:	Length depends on the user settings
Assembly 103 – configuration data:	Length 0 bytes

16-bit integer is used as the data type.

The data length is the sum of the number of words transferred from each drive object.

Example 1:

DO	Number of words to be sent	Number of words to be received
DC_CTRL (drive)	10	10
CU	2	2
Sum = length	12 words = 24 bytes	12 words = 24 bytes

Example 2:

DO	Number of words to be sent	Number of words to be received
DC_CTRL (drive)	10	5
CU	0	0
TM31	1	1
Sum = length	11 words = 22 bytes	6 words = 12 bytes

In contrast to PROFIBUS and PROFINET communication, only connected PZDs in the drive can be used in the assembly.

In example 1, all ten words of the drive and the two words of the CU must have an active BICO connection. This means that all data received from the PLC must be connected to a parameter, which correspondingly also applies to the data sent to the PLC. All words must therefore be supplied with status or actual values.

To avoid "dummy" connections, all the required BICO connections and the last word can be parameterized.

With reference to example 1, only six or the ten words defined for sending/receiving, are required the operation. The remaining four are in reserve. Consequently, the first six words are assigned to their respective parameters and in addition, the last word (PZD10) is assigned to a dummy value, i.e. a parameter that is not used for the drive application.

The number of PZDs must be mapped to the assembly. When the assignment of the PZDs is complete, parameter p8842=1 must be set on the CU.

If the change is to be permanent, copy RAM to ROM.

The sequence of the drive objects depends on the communication settings in the drive which can be accessed via the "communication item" of the associated drive in the project tree of the STARTER software.

IF1: PROFIdrive PZD message frames

Communication interface: PROFIBUS - Control Unit onboard (cyclic)
The PROFIsafe communication is performed via this interface

The PROFIdrive message frames of the drive objects are transferred in the following order:
The input data corresponds to the send and the output data of the receive direction of the drive object.

Master view:

Object	Drive object	No.	Message frame type	Data	
				Input data Length	Output data Length
1	Drive_1	2	Free telegram configuration with BICO	10	10
2	Control_Unit	1	Free telegram configuration with BICO	2	2

Without PZDs (no cyclic data exchange)

Figure 10-50 Changing the DO sequence

The sequence can only be changed offline using the arrows on the right ①. For the change to take effect, it must be subsequently downloaded from the PG/PC to the drive.

"Explicit messaging" – acyclic or event-driven communication

Acyclic or event-driven information can also be read from the drive or written to the drive, e.g. read-out of the fault buffer when an error occurs.

"Explicit messaging" must be used in order to be able to use this information in the classes described in the following.

Class 1 Identity object

Identity Object	Class 01h
------------------------	------------------

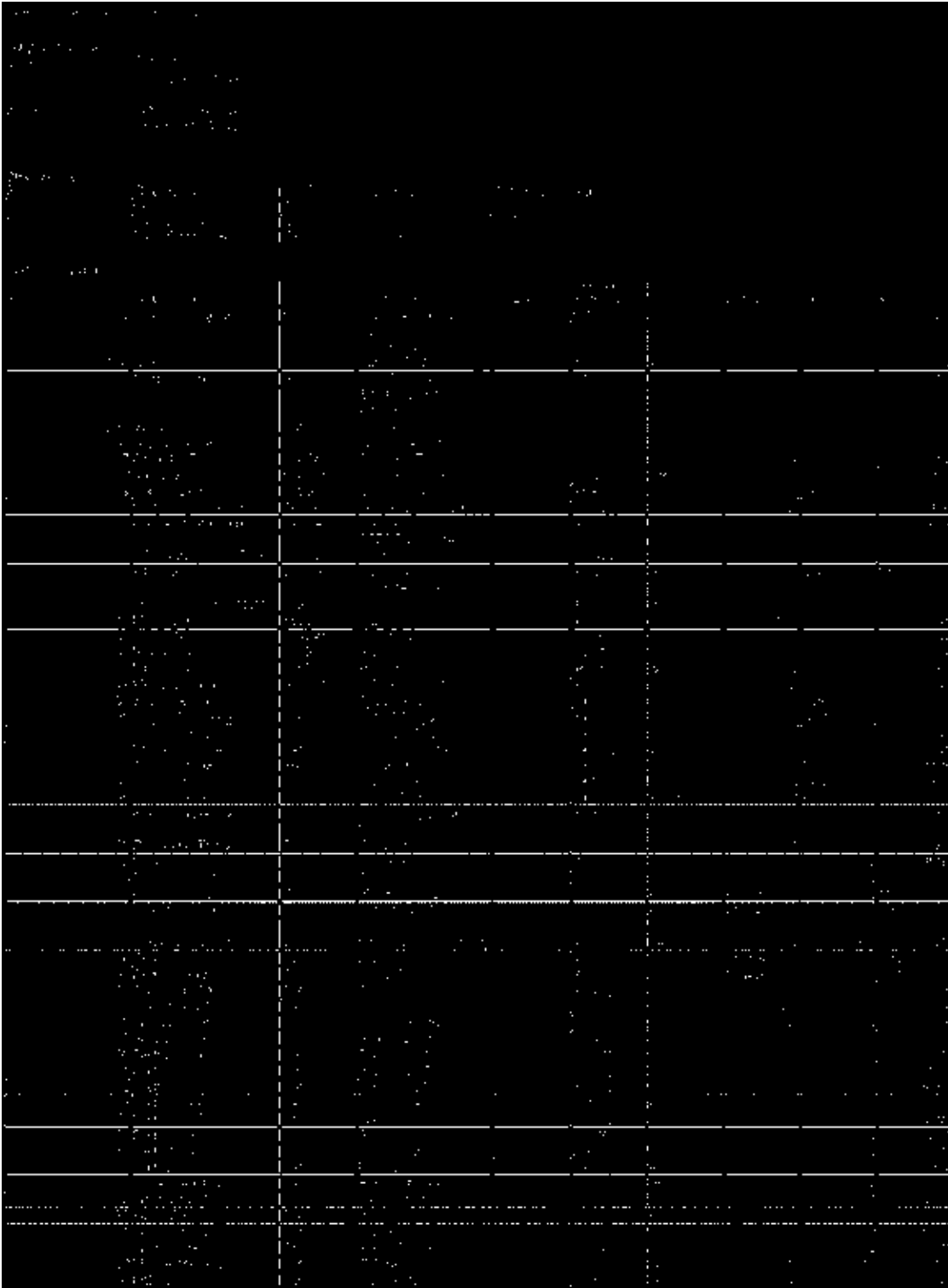
Supported Services:	
Class	Get Attribute All
	Get Attribute Single
Instance	Get Attribute All
	Get Attribute Single
	Reset

Class Attribute					
#	Attributename	Service	Description	Datatype	Value
1	Revision	Get		UINT16	
2	Max Instance	Get		UINT16	
3	Num of Instances	Get		UINT16	

Instance Attribute								
#	Attributename	Service	Description	Datatype	Value	Device Type	Value	
1	Vendor ID	Get	Device Vendor	UINT16	145	AC Drive	02h	
						Profil	Siemens AC D	12h
						ODVA AC/DC Drive		
						Siemens Driv	PROFIdrive Device Type	
2	Device Type	Get	General product type	UINT16		start with versioning from 10 and increment +10 for major change in EDS and +1 for minor change		
3	Product Code	Get	DVC TYPE	UINT16	r964[1]	Name	Definition	
4	Revision	Get	Object Revision	UINT16	revision shou	Owned	True: The device or an object has an owner	
					Bits	res	reserved	
					0	Configured	True: Any parameters was changed	
					1	res	reserved	
					2	res	reserved	
					3	Minor Fault recoverable	True: a fault accurse and can be reseted	
					4-7	Minor Fault unrecoverable	True: a fault accurse and cannot be reseted	
					8	Major Fault recoverable	True: a fault accurse and can be reseted by power cycle	
					9	Major Fault unrecoverable	True: a fault accurse and cannot be reseted by power cycle	
					10	res		
					11	Serial Number mapping		
					12-15			
5	Status	Get	Summary Status of Drive	UINT16				
6	Serial number	Get	Serial Number	UINT32	r8820 [32..47]			
7	Product Name	Get	Name of product (max.32)	Short String	SINAMICS S			
					SINAMICS G120			
					SINAMICS V.. (not supported)			

Figure 10-51 General drive information

Class 32C Drive object



As shown in the table above, certain drive parameters can be read and written. Note that this function was originally created for SINAMICS AC drives. It can therefore only access parameters that are available on the SINAMICS DCM.

The function described in Chapter Class 0x401 - 0x43E Writing and reading of parameters (Page 504) is preferred instead of Class 0x32C for reading and writing parameter data.

Class 0x401 - 0x43E Writing and reading of parameters

With this class, it is possible to read and write an arbitrary parameter of the respective drive object (DO).

Class value	selects the DO. 0x4xx xx = object number
Instance	represents the parameter number, e.g. p50100 ⇒ instance = 50100
Attribute	represents the index to be read or written, e.g. index 0 ⇒ attribute = 0

The appropriate object number must be taken from the "Message frame configuration" shown in Figure 10-50 Changing the DO sequence (Page 501).

Generally, the following applies:

Object number 1 = CU of the DCM ⇒ Class 401

Object number 2 = drive unit of the DCM ⇒ Class 402

The data type of the parameter is specified by the drive and can be found in the SINAMICS DCM List Manual (Chapter "List of parameters").

Note

All bytes defined by the data type must be assigned, even if they are not used.

Examples

- INT/UINT 16 must be assigned to 4 bytes.
- Floating point 32, INT/UINT 32 must be assigned to 8 bytes.

Class 0x91 Writing and reading of parameters with DS47

Through the use of data set DS47, it is possible to read and write more than one parameter value or parameter index at one time or in a data block.

For the structure and function, see Chapter Acyclic communication (Page 415).

10.7.3 Examples of the use of a Rockwell PLC

10.7.3.1 Configuration of a Rockwell PLC for the communication with SINAMICS DCM

Note

The user must have basic knowledge of Allen-Bradley / Rockwell PLCs.

The associated Allen-Bradley / Rockwell documentation should be used for detailed information about communication with Ethernet/IP and general programming of Rockwell PLCs.

A "Generic Ethernet/IP" module must be created in order to communicate with a SINAMICS DCM.

The following configurations must be made for the basic communication:

- Selection of the module, figures "Selection of the module (1), (2) and (3)"

The dialog box for the selection of the module for the appropriate Ethernet interface is selected in the I/O configuration through > right-click > New Module.

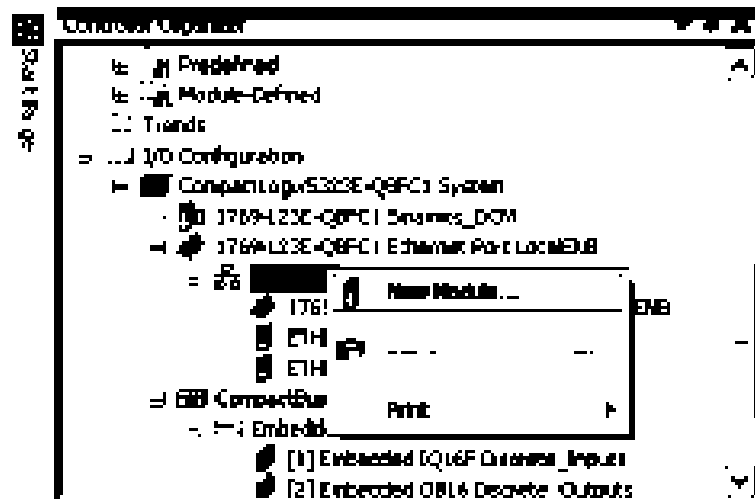


Figure 10-52 Selection of the module (1)

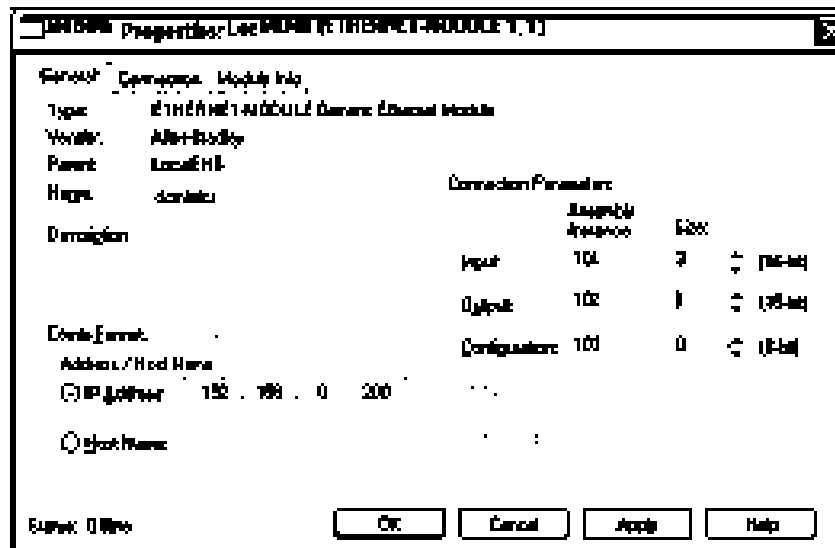


Figure 10-55 Properties

Make the following settings:

- Select a name to identify the drive
- Enter the IP address of the drive
- Set "Connection parameters" as described in Chapter "Implicit messaging" – cyclic communication as I/O slave (Page 499).

After the configuration has been activated, the drive data can be accessed via the input and output data fields (figure below).

For a better program documentation, it is recommended that aliases be defined for each input and output signal.

Name	Value	Force Mask	State	Data
HE_digitalIn0	-	4-bit	Binary	1696
HE_digitalIn1	-	4-bit	Binary	1698
HE_digitalInData	-	4-bit	Decimal	INT
HE_digitalIn0Data	-	4-bit	Decimal	INT
HE_digitalIn1Data	-	4-bit	Decimal	INT
HE_digitalInData0	-	4-bit	Decimal	INT
HE_digitalInData1	-	4-bit	Decimal	INT
HE_digitalInData2	-	4-bit	Decimal	INT
HE_digitalInData3	-	4-bit	Decimal	INT
HE_digitalInData4	-	4-bit	Decimal	INT
HE_digitalInData5	-	4-bit	Decimal	INT
HE_digitalInData6	-	4-bit	Decimal	INT
HE_digitalInData7	-	4-bit	Decimal	INT
HE_digitalInData8	-	4-bit	Decimal	INT
HE_digitalInData9	-	4-bit	Decimal	INT
HE_digitalInData10	-	4-bit	Decimal	INT
HE_digitalInData11	-	4-bit	Decimal	INT
HE_digitalInData12	-	4-bit	Decimal	INT
HE_digitalInData13	-	4-bit	Decimal	INT
HE_digitalInData14	-	4-bit	Decimal	INT
HE_digitalInData15	-	4-bit	Decimal	INT
HE_digitalInData16	-	4-bit	Decimal	INT
HE_digitalInData17	-	4-bit	Decimal	INT
HE_digitalInData18	-	4-bit	Decimal	INT
HE_digitalInData19	-	4-bit	Decimal	INT

Figure 10-56 Input data and output data

Now configure the drive in order to use Ethernet/IP.

10.7.3.2 Writing and reading parameters with Class 4xx

As described in Chapter Class 0x401 - 0x43E Writing and reading of parameters (Page 504), individual drive parameters can be read and written.

In order to use this function, a "MSG" message block must be inserted in the program (figure below). A control tag of the "MESSAG" type must be declared and assigned to the message block for saving the configuration and status information.

The class information is assigned to the block in the next step. The configuration dialog must be opened by clicking (1).

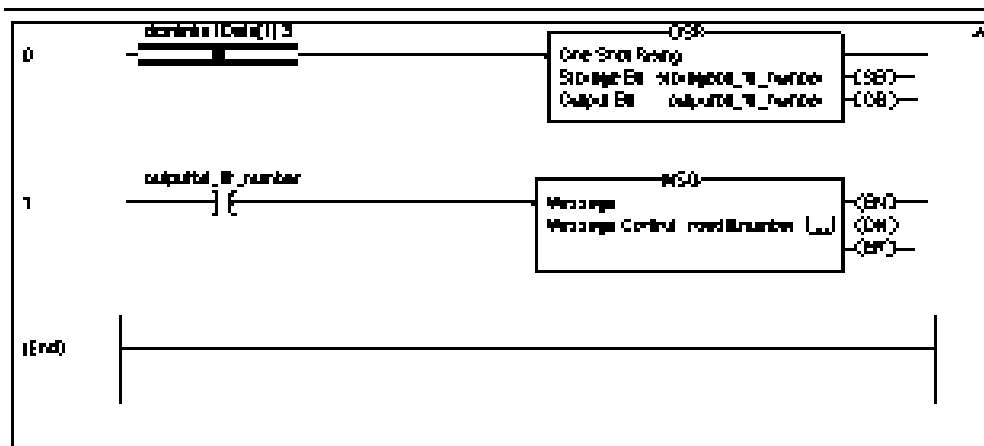


Figure 10-57 Inserting MSG

The configuration dialog shown in the following figure opens:

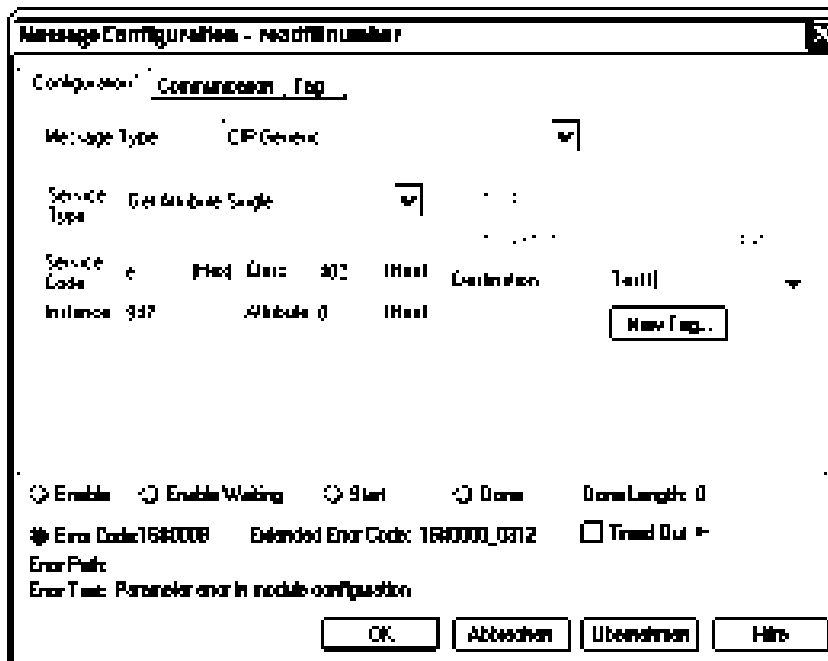


Figure 10-58 Configuration dialog

Configuration:

- Set "Message Type" to "CIP Generic"
- Set "Service Type" to
 - "Get Attribute Single" for reading
 - "Set Attribute Single" for writing
- Class: 4xx–xx represents the drive object number (as standard 02 for drive ⇒ 402)
- Instance: Parameter number
- Attribute: Index number
- Destination: Sufficiently large variable to store the queried value
- "Source Element" and "Source Length" must be defined for writing with service type "Set Attribute Single". The number of bytes must match the data type of the parameter to be written.

If the above settings have been activated, the source or destination Ethernet/IP slave to which the message is to be sent must be specified.

This is done on the "Communication" tab:

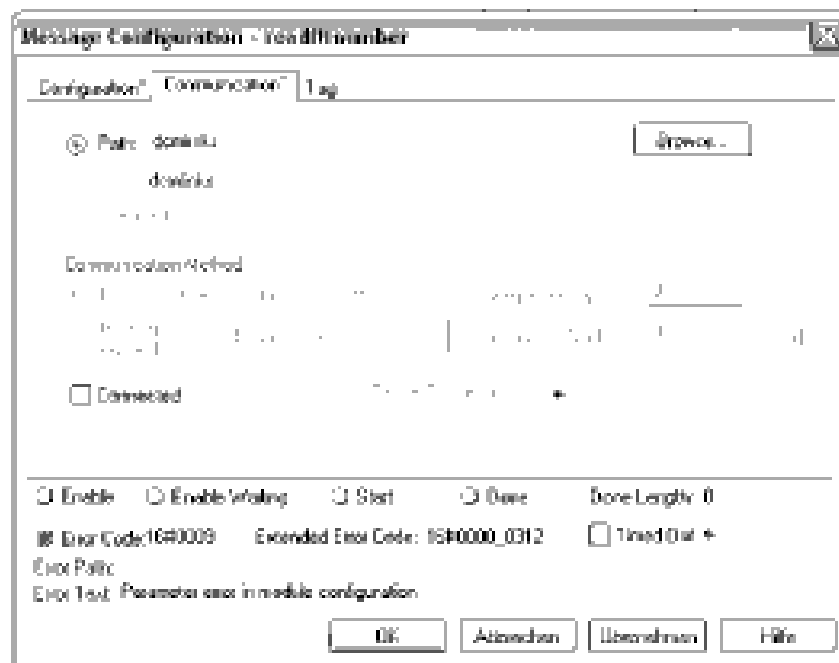


Figure 10-59 Communication

"Path": Defines the Ethernet/IP module, in this example "dcmlinks".

The above example reads the active error number from parameter r947 index 0 on drive object number 2 (drive).

10.8 Serial interface with USS protocol

Specification

Developed by Siemens, the USS® protocol is a proprietary fieldbus which was already being used in a variety of applications before PROFIBUS was established. Since the USS® protocol had not yet been replaced by PROFIBUS in some applications, it was implemented in the SINAMICS DCM.

The USS® protocol is described in the following document:
USS® Protocol Specification: Order number E20125-D0001-S302-A1

Properties

The USS® protocol can only be used as a fieldbus **instead** of PROFIBUS; USS and PROFIBUS cannot run at the same time.

The USS® protocol enables one or more SINAMICS DCMs to be connected to a master station. It is a point-to-point coupling or a bus-type coupling. A maximum of 31 nodes can be connected in the bus configuration (1 master and a maximum of 30 slaves). The bus terminator must be activated on both bus nodes at each end of the bus line.

The USS® protocol enables access to all relevant process data, diagnostic information, and parameters for the SINAMICS DCM.

The USS® protocol is purely a master-slave protocol in which a SINAMICS DCM can only ever be a slave. In this case, a SINAMICS DCM only sends a telegram to the master if it has received a telegram from it. Therefore, SINAMICS DCMs cannot use the USS® protocol to exchange data with one another directly.

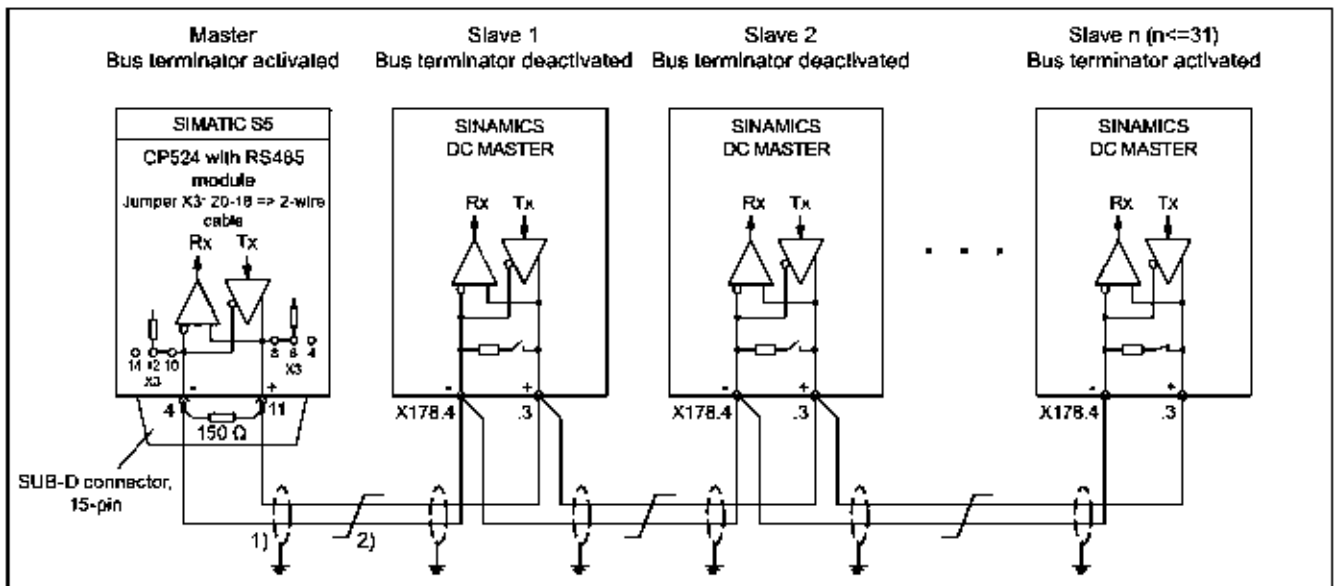
Connecting

Terminal X178, X178

Function diagrams

The function diagrams for the fieldbus interface are relevant:
See FP2410, FP2420, FP2440, FP2442, FP2450, FP2452, FP2460, FP2470, FP2472, FP2481, and FP2483.

Wiring example for a USS bus



- 1) The shields for the interface cables must be connected directly on the devices (using a clamp, for example) to device or cabinet ground, with a low level of impedance.
- 2) Twisted cable, e.g. LIYCY 2×0.5 mm²; with longer cables, an equipotential bonding cable should be used to ensure that the difference in ground potentials between the link partners remains below 7 V.

Figure 10-60 USS bus

10.9 Switch on, switch off, enable

10.9.1 Switch on/Switch off (ON/OFF1) - control word bit 0

The "Switch on/Shutdown" (ON/OFF1) function is controlled using the "ON/OFF1 switch-on command" (= ANDing the signal from terminal X177.12 with the signal selected using p0840).

The following operating modes are possible here:

p50445 = 0: The "ON/OFF1 switch-on command" takes the form of ANDing the signal from terminal X177.12 with the signal selected using p0840 (level-controlled, 0 = shutdown, 1 = switch on).

p50445 = 1: Edge triggering of "ON/OFF1 switch-on command":
The switch-on command is saved when a 0 → 1 transition takes place (see function diagram 3130 in the SINAMICS DCM List Manual). The binector selected using p50444 must be in the log. "1" state at this point. The memory is reset when this binector enters the log. "0" state.

Sequence of events for switching on the drive:

1. Apply the "Switch on" command (e.g. using the "Switch on/Shutdown" terminal).
2. The system exits operating state o7.
3. The "Line contactor closed" relay (terminal XR1-109 and -110) picks up.
4. The field-current reduction function stops.

If "Operation enable" is applied:

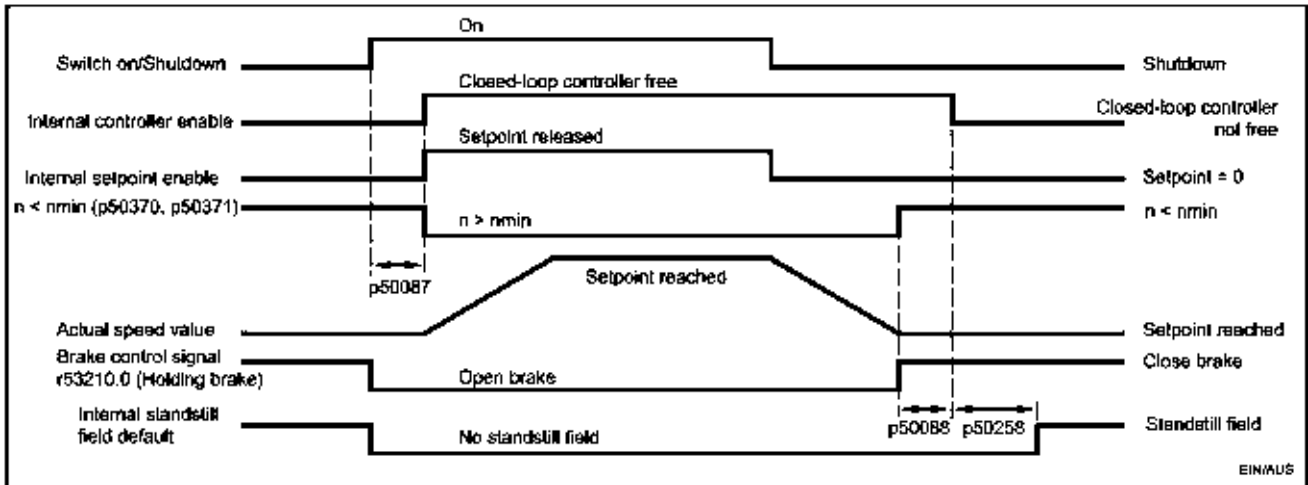
5. With positive brake-release time (p50087):
The "Release holding or operational brake" (r53210.0 = 0) signal is output and p50087 is awaited in operating state o1.0.
With negative brake-release time (p50087 negative):
Procedure goes straight to step 6; brake not yet closed (r53210.0 = 1).
6. The ramp-function generator, n controller, and I controller are enabled.
7. Once a negative brake-release time (p50087) has elapsed, the "Release holding or operational brake" (r53210.0 = 0) signal is output.

Procedure for shutting down the drive:

1. Apply the "Shutdown" command (e.g. using the "Switch on/Shutdown" terminal).
2. Deceleration along the ramp-function generator ramp
3. Wait until $n < n_{min}$ (p50370, p50371).
4. The "Close holding or operational brake" (r53210.0 = 1) signal is output.
5. The brake-closing time (p50088) is awaited.
6. The ramp-function generator and n controller are disabled.
7. Reduction in armature current

8. The armature firing pulses are disabled.
9. The "Line contactor closed" relay (terminal XR1-109 and XR1-110) drops out.
10. Operating state o7.0 or higher is reached.
11. The wait time for field-current reduction (p50258) elapses.
12. The field is reduced to a parameterizable value (p50257).

"Switch on/Shutdown" overview



- p50087 Brake-release time (positive in this case)
- p50088 Brake-closing time
- p50258 Wait time for automatic field-current reduction

Figure 10-61 Switch on/Shutdown

- An internal interlock becomes active once $n < n_{min}$ (r50370, r50371) for the first time. This stops the drive from attempting to decelerate again if the motor is rotated by external influences; the $n < n_{min}$ message then disappears.
- Whether level triggering or pulse triggering is selected has an overriding effect on "Switch on", "Shutdown", and "Creep".

Note

The "Creep" function is described in the "Setpoint channel" chapter, "Creep" section.

- Selecting edge triggering causes "Switch on" and "Creep" to replace one another, i.e.:
 - A "Switch on" edge at terminal X177.12 cancels a "Creep" function that had previously been triggered.
 - A "Creep" edge at a binector selected using p50440 cancels a "Switch on" function that had previously been triggered.

- With edge triggering, an automatic restart following a brief interruption in the electronic power supply voltage is not possible.
- To ensure that "Shutdown" functions even when rewiring is carried out, current or torque lower limits are specified, or additional setpoints are supplied, certain functions are disabled automatically when "Shutdown" is applied.
 - All torque limits are disabled during braking to $n < n_{min}$.
 - Of the current limits, only the system current limit (p50171 and p50172), speed-dependent current limit, and current limit resulting from I²t monitoring of the power unit are enabled.

10.9.2 OFF2 (disconnection) - control word bit 1

The OFF2 signal is LOW active (log. "0" state = disconnection).

Procedure for applying disconnection:

1. The ramp-function generator, n controller, and I_a controller are disabled.
2. Reduction in armature current
3. The firing pulses are disabled.
4. "Close operational brake" is output (r53210.0 = 1, where p50080 = 2).
5. Operating state o10.0 or higher is reached.
6. The field current is maintained at a fixed point (i.e. there is **no** increase in the field current, even on exiting the field-weakening range).
7. The "Line contactor closed" relay (terminal XR1-109 and XR1-110) drops out.
8. The drive coasts down (or is decelerated by the operational brake).
9. The parameterizable wait time (p50258) elapses.
10. The field is reduced to a parameterizable value (p50257).
11. Once $n < n_{min}$ (p50370, p50371), the "Close holding brake" signal is output (r53210.0 = 1, where p50080 = 1).

10.9.3 OFF3 (quick stop) - control word bit 2

The OFF3 signal is LOW active (log. "0" state = quick stop).

Procedure for applying "Quick stop":

1. The ramp-function generator is disabled.
2. A speed setpoint of zero is applied.
3. Deceleration along the down ramp acc. to p50296, p50297, p50298
4. Wait until $n < n_{min}$ (p50370, p50371).
5. "Close operational or holding brake" (r53210.0 = 1) is output.

- The "Quick stop" command only needs to be present as a short pulse (> 10 ms). It is then saved internally. It is only possible to reset the memory by applying the "Shutdown" command.
- The SINAMICS DC MASTER links all "Quick stop" commands in such a way that the "Quick stop" function is only disabled once all commands are in the "No quick stop" state.
- An internal interlock becomes active once $n < n_{min}$ (r50370, r50371) for the first time. This stops the drive from attempting to decelerate again if the motor is rotated by external influences; the $n < n_{min}$ message then disappears.
- To ensure that "fast stopping" functions even when rewiring is carried out, current or torque lower limits are specified, or additional setpoints are supplied, certain functions are disabled automatically when "fast stopping" is applied.
 - All torque limits are disabled while braking to $n < n_{min}$.
 - Of the current limits, only the system current limit (p50171 and p50172), speed-dependent current limit, and current limit resulting from I2t monitoring of the power unit are enabled.

10.9.4 Operation enable (enable) - control word bit 3

The enable signal is HIGH active (log. "1" state = enable).

Control word bit 3 and terminal X177.13 (enable) are logically ANDed. See also function diagram 2580.

Procedure for applying operation enable (if a switch-on command is present):

1. With positive brake-release time (p50087):
The "Release holding or operational brake" signal (r53210.0 = 0) is output and p50087 is awaited in operating state o1.0.
With negative brake-opening time (p50087 negative):
Go immediately to step 2; brake is still closed (r53210.0 = 1)
2. The ramp-function generator, n controller, and I controller are enabled.
3. Operating state o0 is reached.
4. Once a negative brake-release time (p50087) has elapsed, the "Release holding or operational brake" (r53210.0 = 0) signal is output.

Procedure for withdrawing operation enable:

1. The ramp-function generator, n controller, and I controller are disabled.
2. Reduction in armature current
3. The armature firing pulses are disabled.
4. The "Close operational brake" signal is output (r53210.0 = 1, where p50080 = 2).
5. Operating state o1.0 or higher is reached.
6. The drive coasts down (or is decelerated by the operational brake).
7. Once $n < n_{min}$ (p50370, p50371), the "Close holding brake" signal is output (r53210.0 = 1, where p50080 = 1).

10.10 Safety shutdown (E-STOP)

Note

The E-STOP function is not an EMERGENCY STOP function in the sense of EN 60204-1.

The E-STOP function forces the "line contactor closed" relay to drop out, activating the relay contact (terminals XR1-109 and -110) for the main contactor control within approximately 15 ms, independent of the semiconductor components and Control Unit (CUD) functions. If the CUD is operating correctly, applying $I = 0$ via the controller serves to disconnect the line contactor from the power supply. The drive coasts down once E-STOP has been applied.

The E-STOP function is triggered when the switch between terminals XS1-105 and XS1-106 is opened.

The E-STOP function causes the drive to enter the "Switching on inhibited" operating state. This must be acknowledged by activating the "Shutdown" function by opening terminal X177.12, for example.

Procedure for applying E-STOP:

1. The ramp-function generator, n controller, and I controller are disabled.
2. Reduction in armature current
3. a) $p51616 = 0$: E-STOP acts like OFF2 (firing pulses are disabled as soon as $I = 0$).
b) $p51616 = 1$: E-STOP immediately stops firing pulses from being output (without waiting for $I = 0$).
4. The "Close operational brake" signal is output ($r53210.0 = 1$, where $p50080 = 2$).
5. Operating state $o10.0$ or higher is reached.
6. The field current is maintained at a fixed point (i.e. there is **no** increase in the field current, even on exiting the field-weakening range).
7. The "Line contactor closed" relay (terminal XR1-109 and XR1-110) drops out.
8. The drive coasts down (or is decelerated by the operational brake).
9. The wait time (to be set at $p50258$) elapses.
10. The field is reduced to a parameterizable value ($p50257$).
11. Once $n < n_{min}$ ($p50370$, $p50371$), the "Close holding brake" signal is output ($r53210.0 = 1$, where $p50080 = 1$).

Note

15 ms after E-STOP has been applied (even if point 7 in this procedure has not yet been reached), the "Line contactor closed" relay (terminal XR1-109 and XR1-110) will always drop out; this is triggered by the hardware.

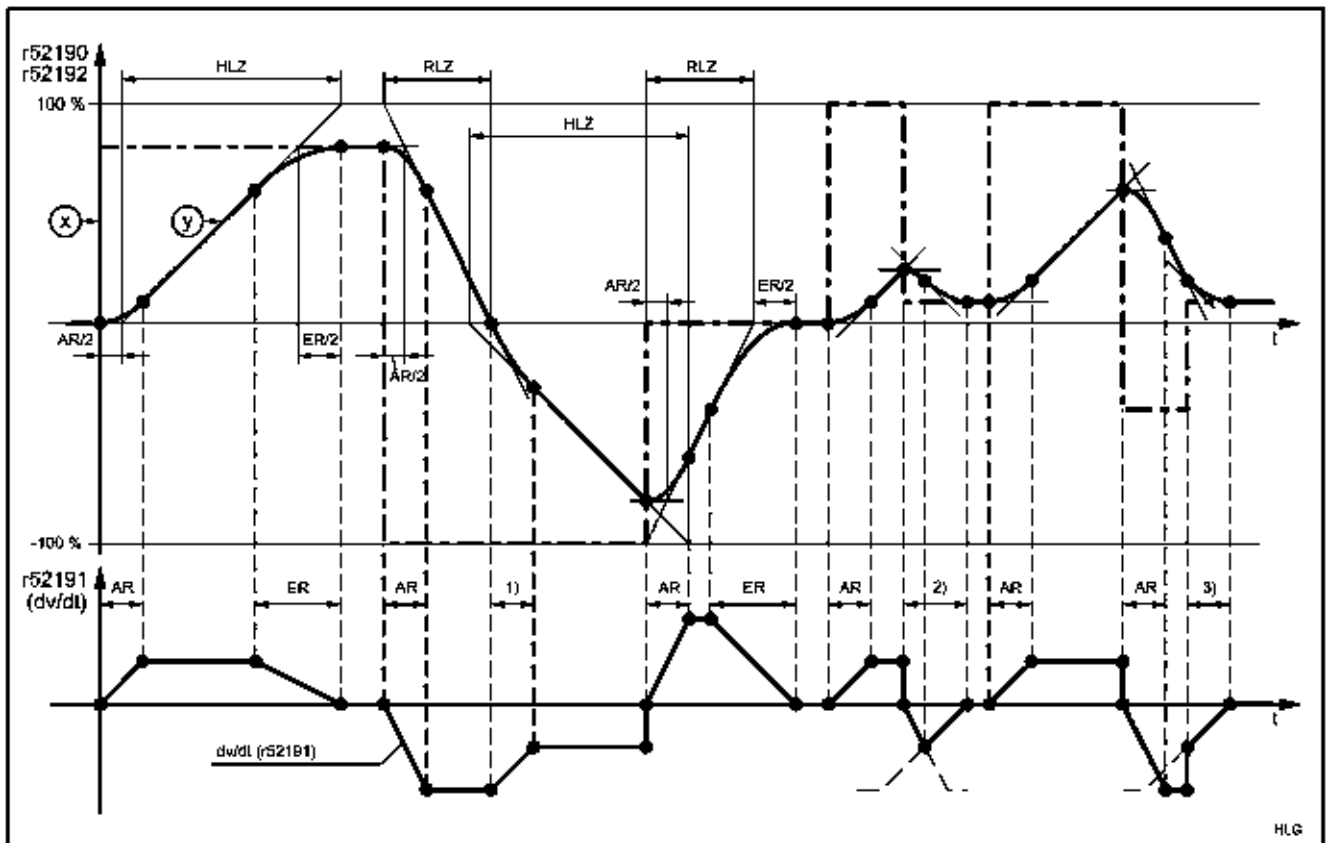
10.11 Setpoint channel

10.11.1 Ramp-function generator

Table 10- 45 Definitions

Ramp-up	Acceleration from lower positive to higher positive speeds (e.g. 10% to 90%) or from lower negative to higher negative speeds (e.g. -10% to -90%)
Return flow	Deceleration from higher positive to lower positive speeds (e.g. 90% to 10%) or from higher negative to lower negative speeds (e.g. -90% to -10%)
Transition from negative to positive speeds	E.g. from -10% to +50%: From -10% to 0 = ramp-down and From 0 to +50% = ramp-up, and vice versa
Ramp-up time	The amount of time the ramp-function generator requires, when initial rounding and final rounding = 0 and an input variable jump from 0 to 100% or 0 to -100% is performed, for passing through the 100% range at the ramp-function generator output. For smaller jumps at the input, the rise at the output is performed at the same rate.
Ramp-down time	The amount of time that the ramp-function generator requires, when initial rounding and final rounding = 0 and an input variable jump from 100% to 0 or -100% to 0 is performed, for passing through the 100% range at the ramp-function generator output. For smaller jumps at the input, the rise at the output is performed at the same rate.

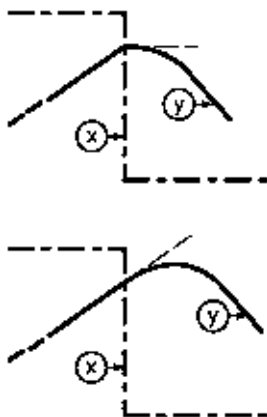
Ramp-function generator mode of operation



- | | | | |
|-----|---|-----|----------------------------------|
| ⊗ | = Ramp-function generator setpoint | ⊙ | = Ramp-function generator output |
| RUT | = Rampup time | RDT | = Ramp-down time |
| IR | = Initial rounding | FR | = Final rounding |
| 1) | Transition from ramp-down incline to ramp-up incline | | |
| 2) | Initial rounding makes the transition to final rounding even before the maximum ramp-down incline is reached. | | |
| 3) | Only the last part of final rounding is performed here due to the ramp-function generator setpoint jump. | | |

Figure 10-63 Ramp-function generator mode of operation

Operating modes for ramp-function generator rounding



p50295 = 0:

When a setpoint reversal occurs during ramp-up (or ramp-down), the ramp-up (or ramp-down) process is interrupted and initial rounding for the ramp-down (or ramp-up) process starts immediately. This does not mean any additional increase (or decrease) in the setpoint, but rather a bend in the signal at the ramp-function generator output (i.e. a jump in the acceleration).

p50295 = 1:

When a setpoint reversal occurs during ramp-up or ramp-down, the ramp-up/ramp-down process slowly crosses over into ramp-down/ramp-up. This results in an additional increase (or decrease) in the setpoint, as well as a bend in the signal at the ramp-function generator output (i.e. there is no jump in the acceleration).

Control signals

Table 10- 46 Control signals for the ramp-function generator operating mode

Ramp-function generator enable Control word bit 4, p01140[c]	0 = Ramp-function generator disabled; ramp-function generator output set to 0
	1 = Ramp-function generator enabled
Ramp-function generator start Control word bit 5, p01141[c]	1 = Setpoint is switched into the ramp-function generator input
	0 = Ramp-function generator is stopped at the current value (ramp-function generator output is switched in as ramp-function generator input)
Setpoint enable Control word bit 6, p01142[c]	1 = Setpoint enabled at ramp-function generator input
	0 = Switchover to ramp-function generator setting 1 performed and 0 applied to the input (ramp-function generator output travels to 0)
Set ramp-function generator (p50640[c])	1 = The ramp-function generator output is set to the setting value (selection via p50639).
Ramp-function integrator operation (p50302)	See below and description of p50302 in the parameter list found in the SINAMICS DCM List Manual.
Enable switchover of the ramp-function integrator (p50646)	See below.
Ramp-function generator settings 2 and 3	See below.
Ramp-function generator tracking ON (p50317)	See below and description of p50317 in the parameter list found in the SINAMICS DCM List Manual.
Set ramp-function generator on switching off (p50318)	See description of p50318 in the parameter list found in the SINAMICS DCM List Manual.
Bypass ramp function generator	1 = The ramp-function generator operates with ramp-up time and ramp-down time = 0. The function is then controlled via the binector selected using p50641. It is also possible to select the option of bypassing the ramp-function generator in operating modes JOG, CREEP, and APPLY FIXED SETPOINT.

Ramp-function generator settings 1, 2, and 3

Selection via the binectors selected using p50637 and p50638.

The ramp-function generator settings that are entered via the binectors selected using p50637 and p50638 have priority over the ramp-function generator setting entered by the ramp-function integrator.

Binector state selected via parameters		Ramp-function generator setting	Active ramp-up time	Active ramp-down time	Active initial rounding	Active final rounding
p50637	p50638					
0	0	1	p50303	p50304	p50305	p50306
1	0	2	p50307	p50308	p50309	p50310
0	1	3	p50311	p50312	p50313	p50314
1	1	Not permitted; fault F60041 (setting not unique) triggered				

Ramp-function integrator

The ramp-function integrator is activated by setting p50302 to 1, 2, or 3. Once an "ON" command ("Switch on", "Jog", "Creep") has been applied, ramp-function generator setting 1 (p50303 to p50306) is used until the ramp-function generator output reaches the required setpoint for the first time.

Following this, the process is controlled by the "Enable switchover of ramp-function integrator" signal (binector selected using p50646):

- Enable switchover of ramp-function integrator = 1:
If the ramp-function generator output reaches the required setpoint for the first time after the "ON" command has been applied, the system automatically switches over to the ramp-function generator setting selected according to p50302.
- Enable switchover of ramp-function integrator = 0:
Once the ramp-function generator output has reached the setpoint, ramp-function generator setting 1 (p50303 to p50306) remains active until "Enable switchover of ramp-function integrator" is switched to 1. The system then switches over to the ramp-function generator setting selected according to p50302.

If the "Enable switchover of ramp-function integrator" signal is withdrawn (→ 0), the system switches back to ramp-function generator setting 1 and, when the signal is applied again (→1), remains at this setting until the ramp-function generator output has reached the setpoint again. Following this, the system switches back over to the ramp-function generator setting selected according to p50302.

When the "Switch off" command is applied, the drive is switched off via ramp-function generator setting 1.

Note:

Activating "Ramp-function generator setting 2" (p50307 to p50310; selection via p50637) or "Ramp-function generator setting 3" (p50311 to p50314; selection via p50638) has priority over the ramp-function generator setting requested by the "Ramp-function integrator" function.

Ramp-function-generator tracking

The ramp-function generator output (r52190) is limited to the following values when ramp-function generator tracking is active:

$$(-Mlimit \times 1.25 / Kp + nact) < RFG \text{ output} < (+Mlimit \times 1.25 / Kp + nact)$$

When p50170 = 1 (closed-loop torque control), the following applies:

$$(-IA.limit \times \Phi_{motor} \times 1.25 / Kp + nact) < RFG \text{ output} < (+IA.limit \times \Phi_{motor} \times 1.25 / Kp + nact)$$

When p50170 = 0 (closed-loop current control), the following applies:

$$(-IA.limit \times 1.25 / Kp + nact) < RFG \text{ output} < (+IA.limit \times 1.25 / Kp + nact)$$

Φ_{motor}	Scaled motor flux (1 at rated excitation current)
nact	Actual speed value (r52167)
+Mlimit	Smallest positive torque limit (r52143)
-Mlimit	Smallest negative torque limit (r52144)
+IA.limit	Smallest positive current limit (r52131)
-IA.limit	Smallest negative current limit (r52132)
Kp	Active speed controller gain

If, however, the value added to nact would be less than 1%, then +1% or is -1% is added.

The "Ramp-function generator tracking" function prevents the ramp-function generator value from straying too far from the actual speed value if the torque or current limit has been reached.

Note:

When ramp-function generator tracking is active, the filtering time of the speed setpoint p50228 should be low (ideally = 0).

Limiting after ramp-function generator

This limiting stage can be used by freely selecting the input signal, independently from the ramp-function generator.

A distinguishing feature of this type of limiting is that lower limiting can also be set to positive values and upper limiting to negative values (see p50300 and p50301). In this case, a limit set using this method acts as a lower limit (lower limiting value) for the output signal of the ramp-function generator, with the sign inverted.

Example:

p50632.01-04 = 1 (= 100.00%)

p50300 = 100.00 (%)

p50301 = 10.00 (%)

p50633.01-04 = 9 (= -100.00%)

results in the value range of r52170 being limited to between +10.00% and +100.00%.

Velocity signal dv/dt (r52191)

This signal specifies the change in ramp-function generator output r52190 during the time set in p50542.

Braking distance (r52047, r52048)

This signal specifies the distance that the drive would travel if, e.g. it would be stopped using an OFF1 command.

This braking distance is calculated under the assumption that at the ramp-function generator input, a speed setpoint of 0 would be input and the speed actual value would go down to 0 with the set ramp-down time and the set rounding-off.

The braking distance calculation is only correct if, during braking, the ramp-down time and the rounding-off do not change.

The braking distance is output in the same unit as the encoder position actual value r0482. This means that one encoder revolution corresponds to a value of $p400 \times 2^{p418}$

The braking distance is available in two different data formats:

- r52047 has the Unsigned32 data type
- r52048 has the FloatingPoint32 data type

10.11.2 Jog

See also function diagram 3125 in the SINAMICS DCM List Manual.

The JOG function can be applied via the binectors selected using p50435 index .00 to .07, and via control word bit 8 and bit 9 (r898.8 & r898.9) (see function diagram for logic operation).

The "Jog" function can only be executed if "Switch off" and "Operation enable" have been applied.

The "Jog" function is applied by one or more of the sources referred to (binectors, control word bits) entering the log. "1" state. During this, each source is assigned a setpoint (to be selected using p50436).

If two or more sources apply the "Jog" function at the same time, then 0 is applied as the jog setpoint.

For each source (binector, control word bit) with which the "Jog" function can be applied, p50437 may be used to determine whether the ramp-function generator is bypassed (binector r53170.11). In this case, the ramp-function generator operates with ramp-up time = 0 and ramp-down time = 0.

Procedure for applying jog:

If "Jog" is applied, the system is switched on and the jog setpoint applied via the ramp-function generator. For this procedure, refer to the section titled "Switch on/Switch off (ON/OFF1)".

Procedure for withdrawing jog:

Once the "Jog" function has been withdrawn, the procedure begins in the same way as the "Switch off" function, as outlined in the section titled "Switch on/Switch off (ON/OFF1)". Once $n < n_{min}$, the controller is disabled and, following a parameterizable time (p50085) of 0 to 60 s, the line contactor is opened (operating state o7.0 or higher). While the wait time that can be parameterized using p50085 (max. 60.0 s.) is running, the drive remains in operating state o1.3.

10.11.3 Creep

See also function diagram 3130 in the SINAMICS DCM List Manual.

The "Creep" function can be activated in operating state o7 and the "Operation" state while "Operation enable" applies.

"Creep" is applied by means of one or more of the binectors selected using p50440 entering the log. "1" state. During this, each binector is assigned a setpoint (to be selected using p50441). If "Creep" is applied by several binectors, their corresponding setpoints are added together.

For each source (binector) with which the "Creep" function can be applied, p50442 may be used to determine whether the ramp-function generator is bypassed (binector r53170.12). In this case, the ramp-function generator operates with ramp-up time = 0 and ramp-down time = 0.

Level/Edge

P50445 = 0: Level-controlled
Binector selected using p50440= 0: No creep
Binector selected using p50440= 1: Creep

P50445 = 1: Edge-triggered
The application of the "Creep" function is saved when the binector makes the 0 → 1 transition. The binector selected using p50444 must be in the log. "1" state at this point. The memory is reset when this binector enters the log. "0" state.

Procedure for applying creep:

If "Creep" is applied in operating state o7, the system is switched on and the creep setpoint is applied via the ramp-function generator.

If "Creep" is applied in the "Operation" state, the drive uses the ramp-function generator to travel from the operating speed to the creep setpoint.

Procedure for withdrawing creep:

For "Creep" when the "Switch on" command is not present:

If all binectors that apply the "Creep" function enter the log. "0" state, the controller is disabled and the line contactor is opened (operating state o7.0 or higher) after $n < n_{min}$.

For "Creep" from the "Operation" state:

If all binectors that apply the "Creep" function enter the log. "0" state, and the conditions for the "Operation" state are still present, the drive uses the ramp-function generator to travel from the set creep speed to the operating speed.

See also the section titled "Switch on/Switch off (ON/OFF1)" for information on edge triggering, automatic restart, and the effect of current and torque limits when decelerating.

10.11.4 Fixed setpoint

See also function diagram 3115 in the SINAMICS DCM List Manual.

The "Fixed setpoint" function can be applied via the binectors selected using p50435 index .00 to .07, p50680 and p50681 (see function diagram for logic operation).

"Fixed setpoint" is applied by one or more of the sources referred to (binectors) entering the log. "1" state. During this, each source is assigned a setpoint (to be selected using p50431). If "Fixed setpoint" is applied by several sources at the same time, their corresponding setpoints are added together (limited to $\pm 200\%$).

For each source with which "Fixed setpoint" can be applied, p50432 may be used to determine whether the ramp-function generator is bypassed. In this case, the ramp-function generator operates with ramp-up time = 0 and ramp-down time = 0.

Response when "Fixed setpoint" is applied:

The fixed setpoint is switched in instead of the r52211 setpoint.

Withdrawal of "Fixed setpoint":

If all possible sources for switching in the fixed setpoint are in the log. "0" state again, r52211 is switched through as a setpoint.

10.12 Encoder evaluation

General information

The SINAMICS DC MASTER can evaluate speed/position encoders.

Two encoders can be evaluated simultaneously. Encoder 1 is connected to connector X177 on the CUD. Encoder 2 is connected to encoder module SMC30, which is connected via DRIVE-CLiQ with the CUD.

Encoder 1 is often referred to as the motor encoder as it is normally attached directly to the motor.

Encoder 2 is often referred to as the load encoder as it is normally attached directly to the load.

Table 10- 47 Supported encoder types

Setting for p0400	Encoder type	Encoder 1 p0400[0]	Encoder 2 p0400[1]
0	No encoder	✓	✓
3001	1024 HTL A/B R	✓	✓
3002	1024 TTL A/B R	✓	✓
3003	2048 HTL A/B R	✓	✓
3005	1024 HTL A/B	✓	✓
3006	1024 TTL A/B	✓	✓
3007	2048 HTL A/B	✓	✓
3008	2048 TTL A/B	✓	✓
3009	1024 HTL A/B unipolar	✓	✓
3011	2048 HTL A/B unipolar	✓	✓
3020	2048 TTL A/B R, with sense	x	✓
3081	SSI, singleturn, 24 V	x	✓
3082	SSI, multiturn 4096, 24 V	x	✓
3090	4096, HTL, A/B, SSI, singleturn	x	✓
9999	User defined	✓	✓
20000	Encoder from OEM list	x	✓
✓ = encoder type is supported x = encoder type is not supported, setting not permitted			

The encoder evaluation determines the current actual speed value and the actual position value for both encoders. (See function diagrams 4704, 4710 and 4711 in the SINAMICS DCM List Manual.)

Furthermore, for both encoders the encoder control word and the encoder status word according to PROFIdrive are available. (See function diagrams 4720, 4730 and 4735 in the SINAMICS DCM List Manual.)

PROFIdrive V4.1 is the PROFIBUS profile for drive technology with a wide range of applications in production and process automation systems.

Note

PROFIdrive for drive technology is standardized and described in the following document:

References: /P5/ PROFIdrive Profile Drive Technology

10.12.1 Actual speed values

The calculation of the actual speed value can be seen in the following function diagrams:

- FP4710 (for encoder 1)
- FP4711 (for encoder 2)

The actual speed values of the encoders are always available as freely interconnected BICO outputs.

- r0061[0]: Actual speed value for encoder 1
- r0061[1] = r3370: Actual speed value for encoder 2

If you want to use an actual speed value from the encoder as an actual-value input, you need to set the actual speed value selection p50083 to 1 (for encoder 1) or to 5 (for encoder 2). See FP6810.

The maximum speed (i.e. the 100% speed) is set via p2000 in both cases.

Actual position values

G1_XIST1	Encoder 1 actual position value 1
G1_XIST2	Encoder 1 actual position value 2
Gn_XIST2	Fault code
G2_XIST1	Encoder 2 actual position value 1
G2_XIST2)	Encoder 2 actual position value 2

For the description, see Chapter Control and status words for encoders (Page 399).

10.12.2 Control and status words for encoders

Description

An encoder interface is defined in the PROFIBUS Profile for drive technology (PROFIdrive V4.1). This interface defines a control and status word for encoders.

They are available in the following parameters:

- r0480[0] = G1_STW encoder 1 control word
- r0480[1] = G2_STW encoder 2 control word
- r0481[0] = G1_ZSW encoder 1 status word
- r0481[1] = G2_ZSW encoder 2 status word

The bit assignments of the control and status words for the encoders can be seen in the following function diagrams:

- FP4720 (control word for encoders 1 and 2)
- FP4730 (status word for encoders 1 and 2)

For the description, see Chapter Control and status words for encoders (Page 399).

10.13 Speed controller

The speed controller is a PI controller with the following additional properties:

Start pulse

When starting the speed controller (i.e. when the controller is enabled) the I component can start with a selectable value. This is necessary for suspended/hanging loads in order to prevent the load from briefly sagging.

Adaptation

P gain and integral action time can be changed as a function of any signal (e.g. from the actual speed value).

Droop

Droop (which can be switched in) can be implemented by feeding back the I component to the input. As a consequence, the controller does not precisely control to the setpoint, but permits a continuous setpoint-actual value deviation.

This is required, for example, if two drives are mechanically coupled with one another (e.g. for a production machine where drives are coupled through the material web being processed). In this case, the droop prevents that the two drives start to operate against one another, although both operate with closed-loop speed control. In the case that a mechanical connection is interrupted (e.g. if the material web breaks), then the speed of the drive operating with droop only slightly changes.

Lead/lag element element

The lead/lag element is used to improve the stability of the speed control. If required, it can be inserted in the actual speed value channel.

Remark:

The functions shown in function diagram 6810 have the following execution sequence:

- Generation of the speed setpoint (r52174)
- Selection of the actual speed value (r52167)
- PT1 element (r52179)
- Bandstop filter 1 (r52177)
- Bandstop filter 2 (r52178)
- DT1 element (r52169)
- Lead/lag element (r52156)
- Generation of the setpoint/actual-value difference (r52165)

Reference model

The reference model represents the P-controlled speed control loop and creates an appropriately processed speed setpoint for the I-component. This means that the I-component largely plays no role for setpoint changes, with the consequent improved, overshoot-free response.

The reference model contains a PT2 element and a dead time element to emulate the controlled system. See function charts 6810 and 6815.

Further, it is possible to feed in an external reference model (e.g. generated using DDC function diagrams).

10.13 Speed controller

The reference model is set using the following parameters:

p50237 natural frequency

p50238 damping

p50239 deadtime

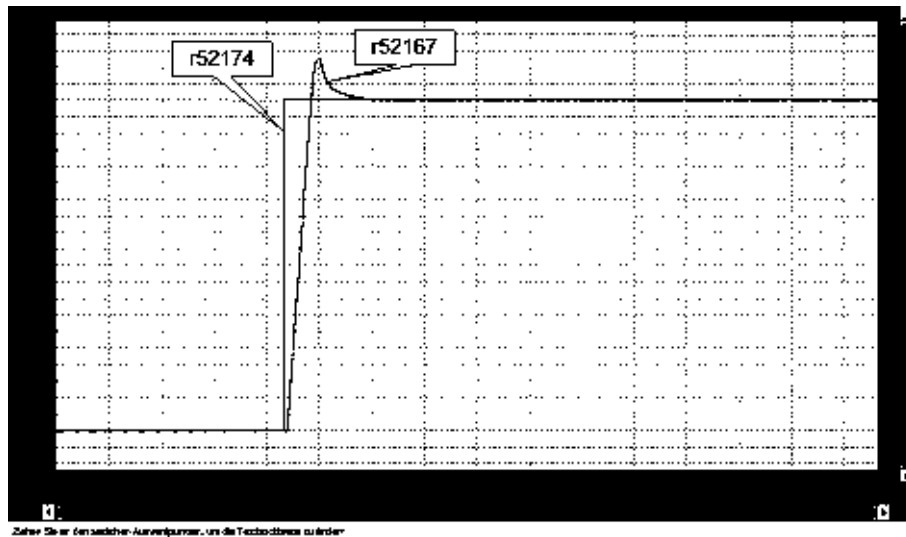
p50240 activation

The reference model is correctly set when the characteristics of the reference model output (r52154) and the actual speed value (r52167) are virtually identical when the I-component of the speed controller (p50224 = 0) is disabled.

Example:

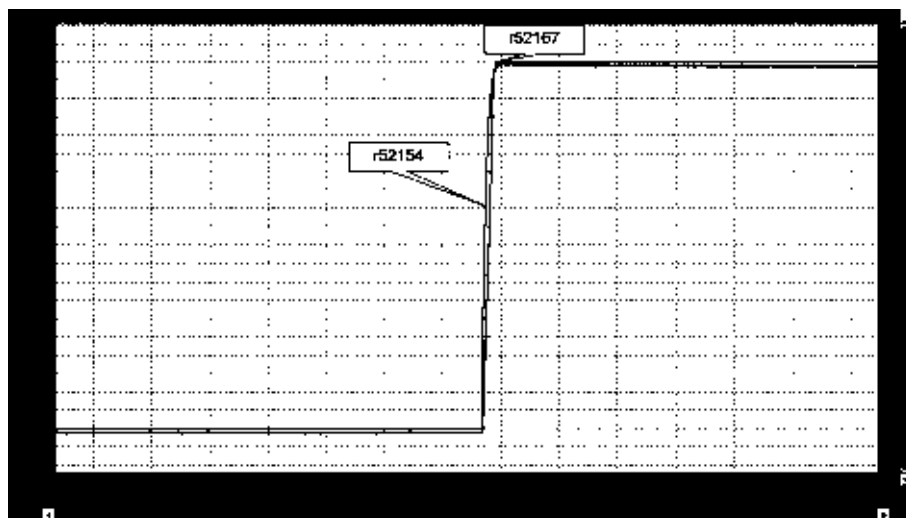
The following diagram shows the step response of the speed controller after carrying out the optimization run, if the reference model is not activated.

- r52174 Speed setpoint
- r52167 Actual speed value



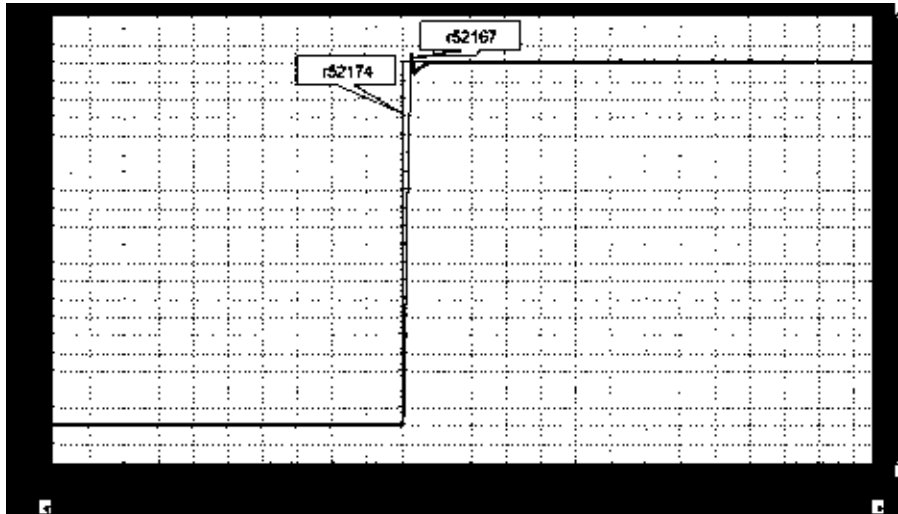
The following diagram shows the setting of the reference model.

- r52154 Reference model output
- r52167 Actual speed value



The following diagram shows the step response of the speed controller if the same controller parameters are set as above, however, with the reference model activated.

r52174 Speed setpoint
r52167 Actual speed value



Note

See Chapter "Commissioning", Section "Manual optimization" for the procedure to manually optimize the speed controller

Use of the speed controller for other applications

If the SINAMICS DCM is not used for the speed control of a motor, but rather for the voltage control of a capacitor load, it may be advantageous to support the speed controller working as a voltage controller with a load connection. The "Load connection" function block is available for this purpose. This function block is shown on function diagram 6851. It provides an additional current setpoint that is preferably fed in at p50601[3] (see function diagram 6840).

10.14 Adaptation of the armature and field current controller

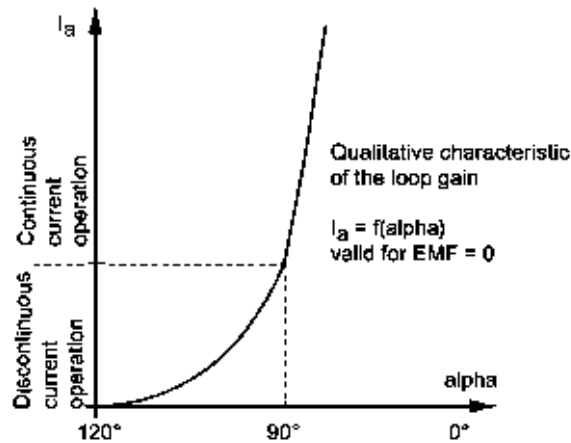
The current controller (armature current controller and field current controller) of the SINAMICS DCM operate with a controlled system that is very non-linear.

Types of non-linearity

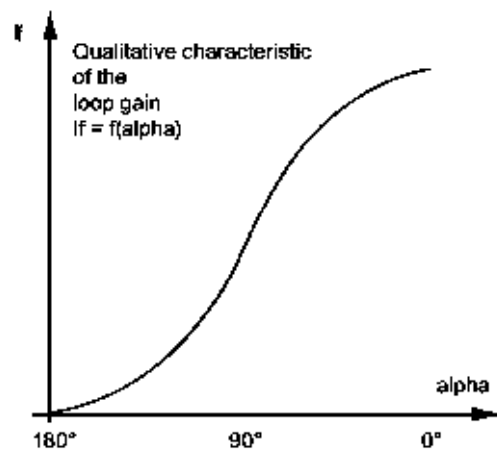
There are 2 types of non-linearity:

1. Non-linearity of the gating unit:

In the armature circuit, there is a significant difference in the controlled system gain (= line-commutated thyristor converter in the B6 bridge connection) between discontinuous and continuous current.



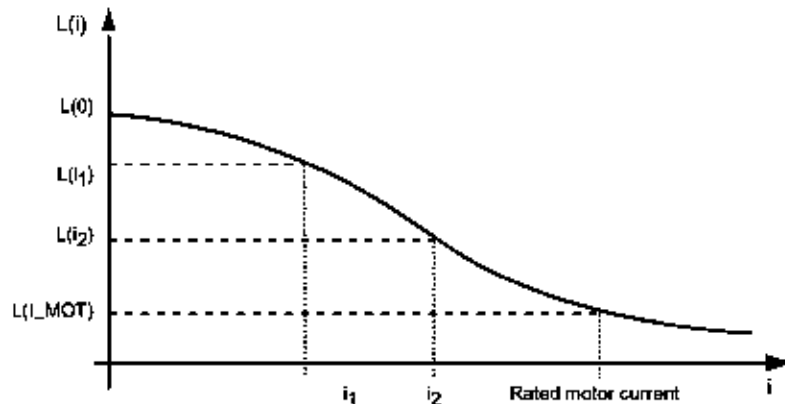
In the field circuit, the system is essentially always in the discontinuous current range, but the control characteristic of the B2Z or B2 bridge manifests a significant degree of non-linearity.



2. Non-linearity of the load inductance (= armature circuit or field circuit of the motor):

At higher currents, both the armature winding as well as the field winding - or also when there is a smoothing reactor available in the armature circuit, can go into the magnetic saturation range; as a consequence, they can have a significantly lower inductance than at low currents.

The inductance as a function of the current is modelled according to the following diagram:



Inductance at a very low current:

$$L(0) = p50111 (L_a) \text{ or } p50116 (L_f)$$

Inductance at the rated motor current:

$$L(I_{Mot}) = p50111 \times p51591 (L_a \times \lambda_a) \text{ or } p50116 \times p51597 (L_f \times \lambda_f)$$

Effect of the adaptation

The SINAMICS DCM converter provides the option of adapting the gain of the armature current controller or the field current controller to the existing non-linearities:

Compensating gating unit non-linearities:

The controller gain is normally set so that in the range of the largest controlled system gain (i.e. where the armature is in the discontinuous current range or for the field, with a firing angle of 90°) the required control behavior is obtained. For other currents, the current controller becomes appropriately slower. When the current controller adaptation is activated, the current controller gain is increased inversely proportional to the controlled system gain. As a consequence, the controller behavior is approximately the same at any current.

Compensating non-linear inductances:

The controller gain is normally set so that at a high current, the required control behavior is obtained. At low currents, the current controller becomes appropriately slower. When the current controller adaptation is activated, the current controller gain is increased proportionally to the inductance. As a consequence, the controller behavior is approximately the same at any current.

Activating the controller adaptation

The current controller adaptation is not activated in the factory setting.

Reason:

When the adaptation is set, this means that the control behavior must be precisely checked at various currents. In many applications, the improved control behavior that can be thus achieved isn't necessary anyway. This is why in these cases it doesn't make any sense to "invest" this time when commissioning the system.

Setting the armature current controller adaptation

With the armature current controller, it is possible to calculate the adaptation using p50570 from the actual value or from the setpoint of the armature current. The adaptation to non-linear inductances can be activated using p50571, the discontinuous-continuous current adaptation can be activated using p50572. The adaptation factor can be limited using p50573. In order to be able to incorporate the adaptation at the armature current controller, connector output r52350 must be interconnected to connector input p50175 (Kp adaptation). With this intervention, the armature current controller gain is increased or decreased depending on the armature current actual value and/or setpoint (this is selected using p50570). The calculations of the adaptations are now created to change the gain.

Setting the field current controller adaptation

For the field current controller, it is possible to calculate the adaptation from the actual value or from the setpoint of the field current using p50575. The adaptation to non-linear inductances can be activated using p50576; the adaptation to the non-linearity of the gating unit, can be activated using p50577. The adaptation factor can be limited using p50578. In order to be able to incorporate the adaptation at the field current controller, connector output r52355 must be interconnected to connector input p50267 (Kp adaptation). With this intervention, the field current controller gain can be increased or decreased depending on the field current actual value and/or setpoint (this is selected using p50570). The calculations of the adaptations are only set-up to change the gain.

The corresponding function diagrams show additional details regarding how to activate the gain adaptation and the various setting options:

FP 6853	Calculating the adaptation factor for the armature current controller gain
FP 6855	Intervention to adapt the armature current controller gain (p50175 = r52350 establishes the intervention)
FP 6908	Calculating the adaptation factor for the armature current controller gain intervention to adapt the armature current controller gain (p50267 = r52355 establishes the intervention)

10.15 Technology controller

Features

Simple control functions can be implemented with the technology controller, e.g.:

- Level control
- Temperature control
- Dancer position control
- Pressure control
- Flow control
- Simple closed-loop controls without higher-level controller
- Tension control

The technology controller features:

- Two scalable setpoints
- Scalable output signal
- The output limits can be activated and deactivated via the ramp-function generator.
- The D component can be switched into the control deviation or actual value channel.

Description

The technology controller is designed as a PID controller, whereby the differentiator can be switched to the control deviation channel or the actual value channel (factory setting). The P, I, and D components can be set separately. A value of 0 deactivates the corresponding component. Setpoints can be specified via two connector inputs. The setpoints can be scaled via parameters (p2255 and p2256). A ramp-function generator in the setpoint channel can be used to set the setpoint ramp-up/ramp-down time via parameters p2257 and p2258. The setpoint and actual value channel each have a smoothing element. The smoothing time can be set via parameters p2261 and p2265.

Pre-control can be integrated via a connector input.

The output can be scaled via parameter p2295 and the control direction reversed. It can be limited via parameters p2291 and p2292 and interconnected as required via a connector output (r2294).

The actual value can be fed in, for example, via an analog input.

If a PID controller has to be used for control reasons, the D component is switched to the setpoint/actual value difference (p2263 = 1) unlike in the factory setting. This is always necessary when the D component is to be effective, even if the reference variable changes. The D component can only be activated when p2274 > 0.

Commissioning with STARTER

The "technology controller" function module can be activated via the commissioning wizard or the drive configuration (configure DDS).

You can check the actual configuration in parameter r0108.16.

Application example: Level control

The objective here is to maintain a constant level in the container.

This is carried out by means of a variable-speed pump in conjunction with a sensor for measuring the level.

The level is determined via an analog input and sent to the technology controller. The level setpoint is defined in a fixed setpoint. The resulting controlled variable is used as the setpoint for the speed controller.

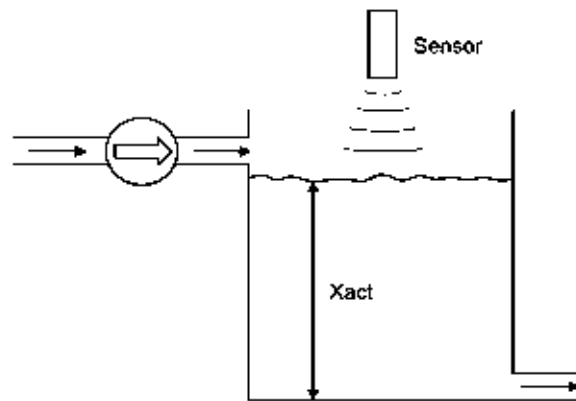


Figure 10-64 Level control: Application

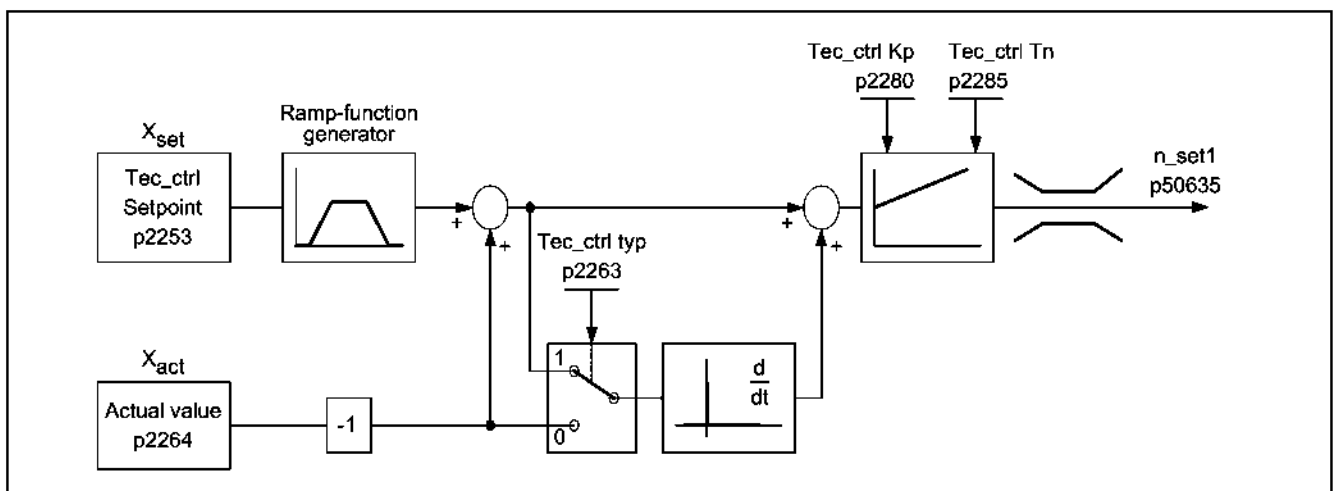


Figure 10-65 Level control: Controller structure

Table 10- 48 Important parameters for the level control

Parameter	Designation	Example
p50625	n_set after the ramp-function generator	p50625= r2294 Tec_ctrl outp_sig
p2200	BI: Technology controller enable	p2200 = 1 Technology controller enabled
p2253	CI: Technology controller setpoint 1	p2253 = r52401 fixed value
p2263	Technology controller type	p2263 = 1 D component in fault signal
p2264	CI: Technology controller actual value (X _{ACTUAL})	p2264 = r52015 analog input AI1 of the CUD
p2280	Technology controller p-gain	p2280 Determine by optimization
p2285	Technology controller integral action time	p2285 Determine by optimization

Function diagrams (see the SINAMICS DCM List Manual)

- 7958 Closed-loop control (r0108.16 = 1)

Overview of important parameters (see the SINAMICS DCM List Manual)

- p2200 BI: Technology controller enable
- p2253[0...n] CI: Technology controller setpoint 1
- p2254[0...n] CI: Technology controller setpoint 2
- p2255 Technology controller setpoint 1 scaling
- p2256 Technology controller setpoint 2 scaling
- p2257 Technology controller ramp-up time
- p2258 Technology controller ramp-down time
- p2261 Technology controller setpoint filter time constant
- p2263 Technology controller type
- p2264[0...n] CI: Technology controller actual value
- p2265 Technology controller actual value filter time constant
- p2280 Technology controller proportional gain
- p2285 Technology controller integral action time
- p2289[0...n] CI: Technology controller pre-control signal
- p2295 Technology controller output scaling

10.16 Switch-on command for holding or operational brake

see also the SINAMICS DCM List Manual, function diagram 2750

The signal for controlling the brake is available at binector r53210[0]:

r53210[0] = 1 ⇒ close brake

r53210[0] = 0 ⇒ open brake

This binector must be wired to a digital output in order to activate a brake; see function diagrams 2055, 2060, and 2065 in the SINAMICS DCM List Manual.

The following parameters affect the function of the brake-control signal:

- p50080 = 0 No brake
- p50080 = 1 The brake is a holding brake:
The "Close brake" command is only applied when $n < n_{min}$ (p50370, p50371).
- p50080 = 2 The brake is an operational brake:
The "Close brake" command is applied even if the motor is running.
- p50087 Brake-release time:
A positive value prevents the motor from working against a brake that is currently being released.
A negative value causes the motor to work against a brake that is still closed in order to prevent a short-term torque-free state.
- p50088 Brake-closing time:
Causes the motor to keep applying torque while the brake is closing
- p50319 Delay time for ramp-function generator enable:
Following a controller enable, the setpoint 0 is applied during the time set here. This time should be set so that the brake has actually been released once it has elapsed. This is mainly necessary when p50087 is set to a negative value.

The figures below illustrate the brake-control timing interval when a level change occurs at the "Switch on/Shutdown" (terminal X177.12) and "Operation enable" (terminal X177.13) inputs.

Where brake control is concerned, the "Jog", "Creep", or "Quick stop" input commands act in the same way as "Switch on/Switch off", and the "Disconnection" or "E-STOP" input commands act in the same way as when the "Operation enable" command is withdrawn.

The "Close brake" command is output during the optimization run for precontrol and current controller (p50051 = 24 and 25).

10.16 Switch-on command for holding or operational brake

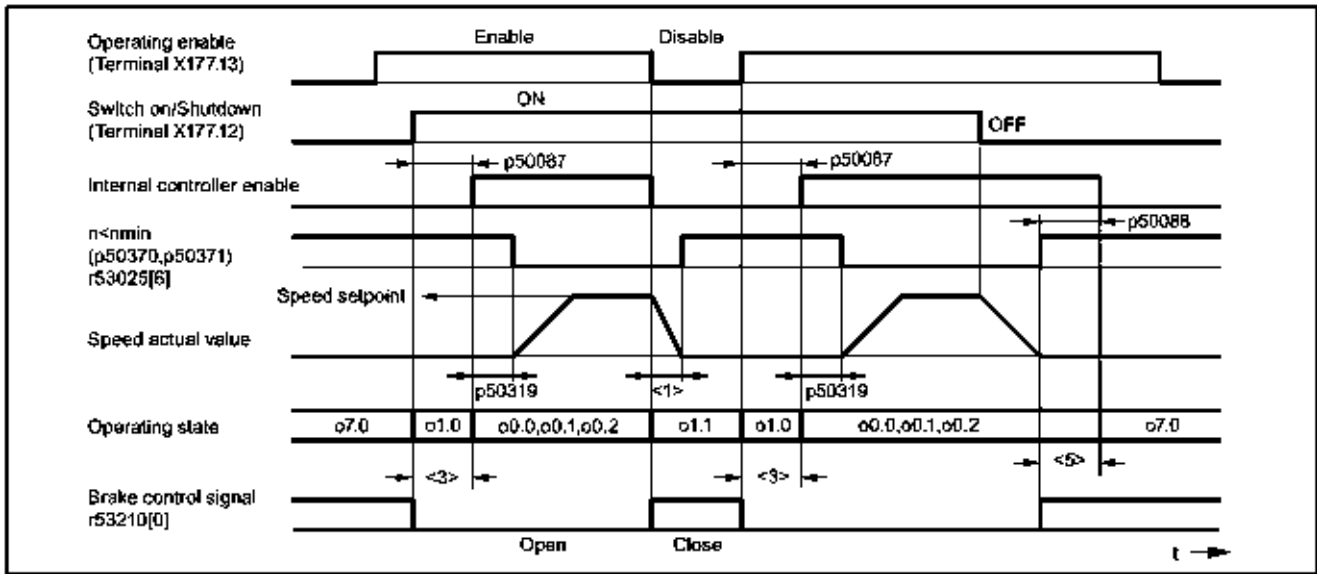
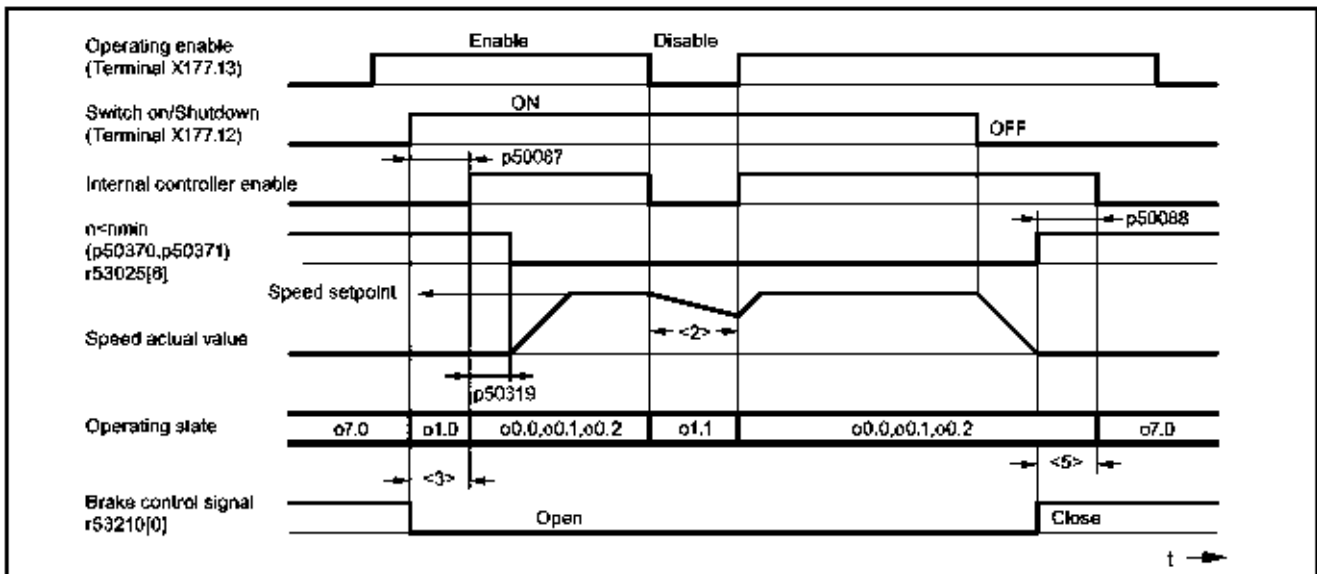


Figure 10-66 Operational brake (p50080 = 2), brake-release time (p50087) positive



Footnotes for the two figures above

- <1> Mechanical deceleration of drive by means of operational brake
- <2> Drive coasting down; "Close holding brake" first applied when $n < n_{min}$
- <3> Time for brake to be released before motor applies torque (p50087 positive)
- <5> Time for brake to be closed, during which motor continues to apply torque (p50088)

Figure 10-67 Holding brake (p50080 = 1), brake-release time (p50087) positive

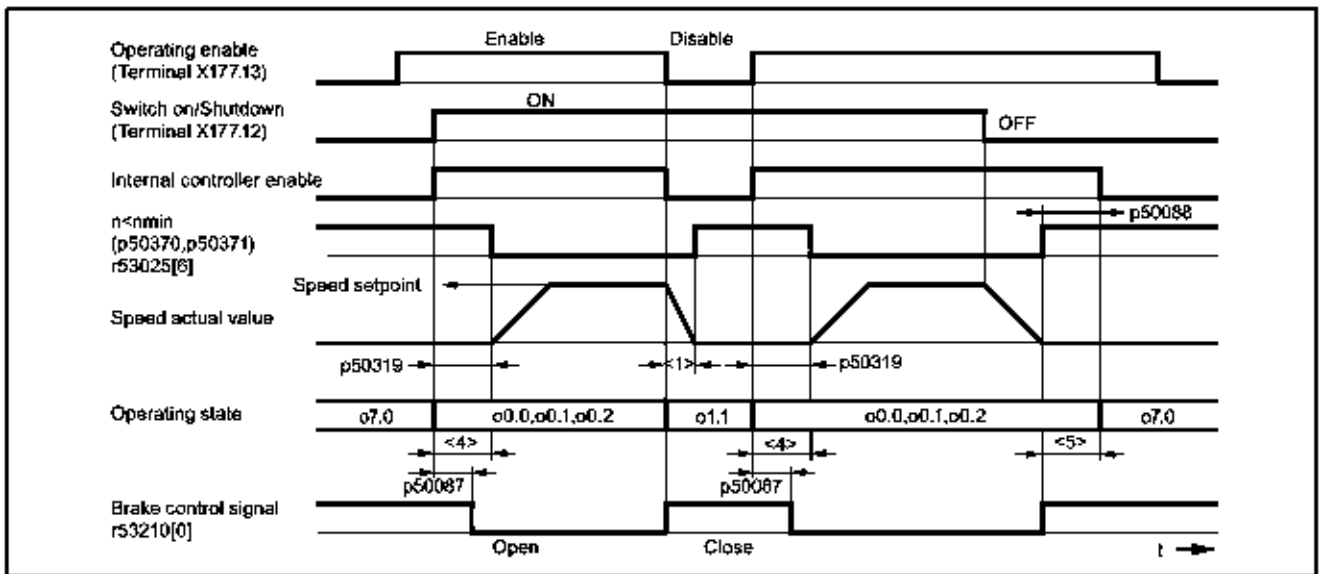
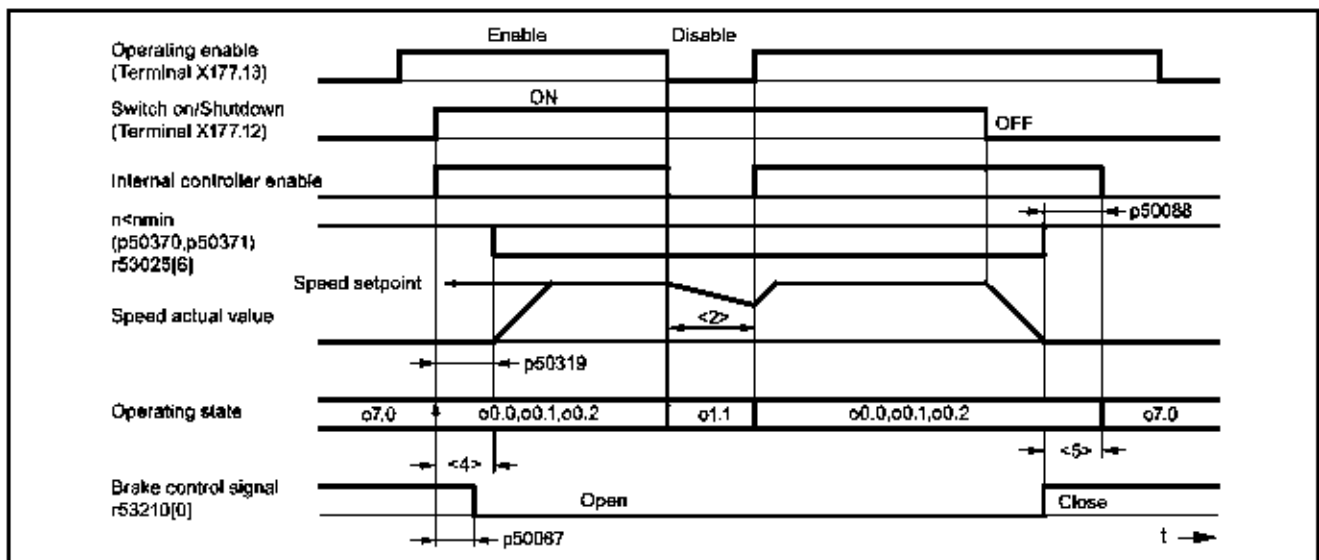


Figure 10-68 Operational brake (p50080 = 2), brake-release time (p50087) negative



Footnotes for the two figures above

- <1> Mechanical deceleration of drive by means of operational brake
- <2> Drive coasting down; "Close holding brake" first applied when $n < n_{min}$
- <4> Here, motor works against the brake, which is still closed (p50087 negative)
- <5> Time for brake to be closed, during which motor continues to apply torque (p50088)

Figure 10-69 Holding brake (p50080 = 1), brake-release time (p50087) negative

10.17 Switching on auxiliary circuits

This function serves as a switch on command for auxiliaries (e.g. motor fans).

The "Switch on auxiliaries" signal is available at binector r53210[2]:

r53210[2] = 0 ⇒ auxiliaries OFF

r53210[2] = 1 ⇒ auxiliaries ON

This binector must be wired to a digital output in order to activate the auxiliary circuit; See SINAMICS DCM List Manual, function diagrams 2055, 2060 and 2065.

The "Switch on auxiliaries" signal goes to 1 at the same time as the "Switch on" command. After this, the system stays in operating state o6.0 for a time that can be parameterized (p50093). Only once this has elapsed is the line contactor closed.

When the "Switch off" command is applied, the firing pulses are disabled and the line contactor drops out after $n < n_{min}$. After a time that can be parameterized (p50094), the "Switch on auxiliaries" signal goes to 0. If, however, the "Switch on" command is issued before this time elapses, the system does not stay in operating state o6.0; instead, the line contactor is closed instantaneously.

10.18 Operating hours counter, unit fan

SINAMICS DCM converters with rated DC current of ≥ 210 A, are equipped with fans:

- Units <400 A: Two internally supplied fans
- Units ≥ 400 A: One fan that is connected to the line supply

Parameter r53136 displays which unit fan is used for the particular converter.

Operating hours counter

Every unit fan has an operating hours counter. The counter states are displayed at parameter r50960 [0..4].

r50960[0..3] Operating hours counter for the fans connected at the internal unit connectors XV1 to XV4

r50960[4] For SINAMICS DCM Control Modules, operating hours counter for the fan controlled via r53135[0].

The operating hours counter is incremented, if

- SINAMICS DCM switches-on the corresponding fan AND
- it actually rotates
i.e. the speed is higher than 5 % of the response threshold of the fan monitoring (this does not apply to r50960[4])

The operating hours counters for unit fans that are not available are not incremented.

Monitoring the fan lifetime

The planned lifetime for each fan is set at p50961[0..4]; the factory setting is 30000 hours.

Alarm A60165 is output 500 hours before the planned lifetime is reached. It is recommended that the corresponding fan is replaced at the next opportunity when the system is not operational (scheduled downtime).

If the lifetime for a fan is set to zero (p50961[0..4] = 0.0 hours), then the fan lifetime monitoring for this fan is disabled.

The corresponding operating hours counter is reset to 0 by setting parameter p50962[0..4] to 1. This should be done each time that a fan is replaced!

See also the SINAMICS DCM List Manual, function diagram 8045.

The instructions on how to replace a fan are provided in Chapter 11.

10.19 Thermal overload protection for the DC motor (I²t monitoring of the motor)

I²t monitoring protects the motor against impermissible loads.

NOTICE

No full motor protection

I²t monitoring only provides an approximate representation of the motor's thermal image.

If the electronics power supply fails, then the calculated preload of the motor is lost. When switching-on again, the system assumes an unloaded motor!

For p50114 = 0, the I²t monitoring is disabled.

Adaptation

Table 10- 49 Parameter settings for I²t monitoring

Parameter		Data
p50114	Thermal time constant	Time constant [s] with which I ² t monitoring is to operate
p50100	Rated armature current	Determination of permissible continuous current for motor: Permissible continuous current = p50100 × p50113
p50113	Continuous-current factor	

Advance-alarm characteristic/Shutdown characteristic

If, for example, the motor load is constantly at around 125% of the permissible continuous current for the motor, alarm A60037 responds after a time constant (p50114) has elapsed. If there is no reduction in the load, the drive is shut down when the shutdown characteristic is reached, and error message F60137 is displayed.

Advance-alarm/shutdown times for other loads may be taken from the diagram below.

I_{2t} monitoring of the motor: Alarm triggering and fault triggering

The diagrams below show the time after which an alarm or fault is triggered when a new, constant load is suddenly switched in following an extended period of preloading (> 5×T_{th}).

T_{th} = p50114 .. - thermal time constant of motor

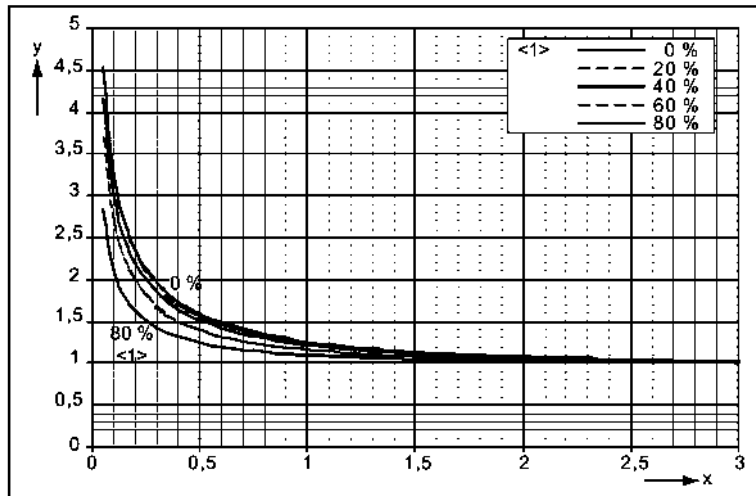


Figure 10-70 I_{2t} monitoring of the motor: Alarm triggering

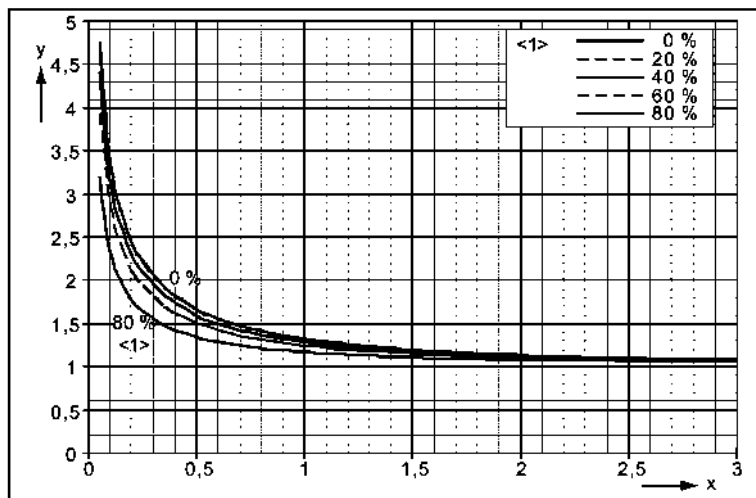


Figure 10-71 I_{2t} monitoring of the motor: Fault triggering

<1> ... Preloading

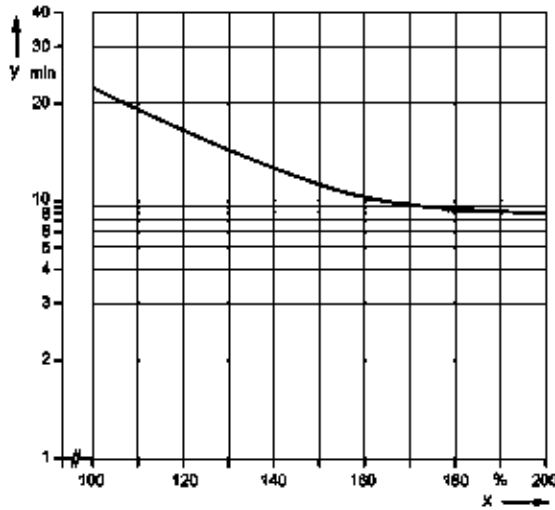
y ... load current/permissible continuous current (p50100 × p50113)

x ... time/thermal time constant of motor

Determining the thermal equivalent time constant (p50114)

It should be noted that the thermal equivalent time constant depends on the maximum overcurrent.

Thermal equivalent time constant of DC motors 1G . 5/1H . 5 according to Catalog DA12 T (configuring notes for Catalog DA 12):



y ... T_{therm}, thermal equivalent time constant [min] (p50114)
x ... I/I_N [%]
I = Maximum overcurrent at which the motor is operated
I_N = Rated armature current for the motor (p50100)

Figure 10-72 Thermal equivalent time constant

Notes

- Please observe the manufacturer's specifications if you are using other motor types.
- If you are using DC motors 1G.5/1H.5 as per Catalog DA12, p50113 must be set to 1.00.

10.20 Measuring the motor temperature

SINAMICS DCM provides the possibility of evaluating a temperature sensor integrated in the motor. (see the SINAMICS DCM List Manual, function diagram 8030).

The following measuring sensors can be evaluated.

- **KTY84**
approx. 350 Ω to approx. 2600 Ω at -40°C to $+300^{\circ}\text{C}$
positive temperature coefficient, almost a linear characteristic

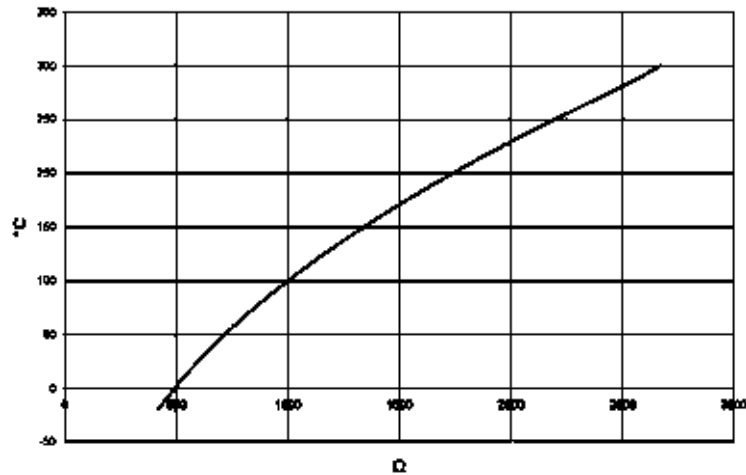


Figure 10-73 Characteristic KTY84

- **PTC thermistor** acc. to DIN 44081 / 44082
600 Ω , 1200 Ω , 1330 Ω or 2660 Ω response temperature
positive temperature coefficient, the resistance changes suddenly at the response temperature
Note:
It is not possible to determine the actual temperature, it is only possible to identify as to whether the response temperature has been exceeded or not.
- **PT100**
approx. 80 Ω to approx. 280 Ω at -40°C to $+500^{\circ}\text{C}$
positive temperature coefficient, almost a linear characteristic
- **PT1000**
approx. 840 Ω to approx. 2980 Ω at -40°C to $+550^{\circ}\text{C}$
positive temperature coefficient, almost a linear characteristic

- **NTC thermistor K227/S1/1.8 kΩ/KER**
approx. 200 Ω at 190° C to 1.8 kΩ at 100° C

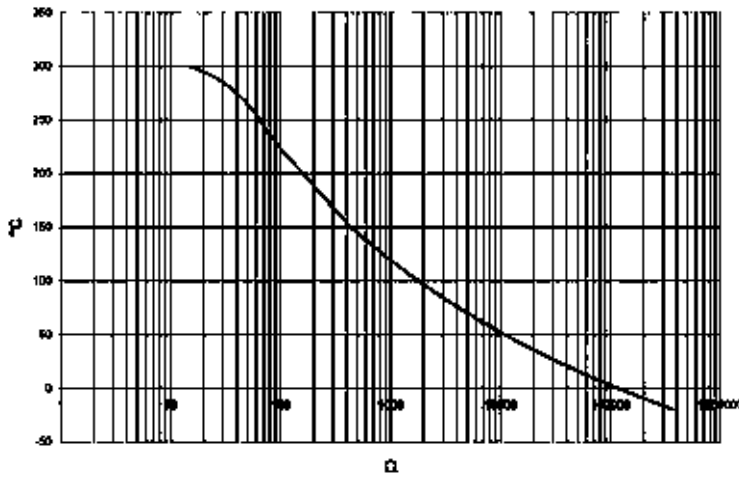


Figure 10-74 Characteristic K227

10.21 Speed-dependent current limitation

Speed-dependent current limitation protects the DC motor's commutator and brushes at high speeds.

The settings required for this (p50104 to p50107) must be taken from the motor rating plate.

Additionally, the maximum operating speed of the motor (p50108) must be entered; this must match the actual maximum operating speed.

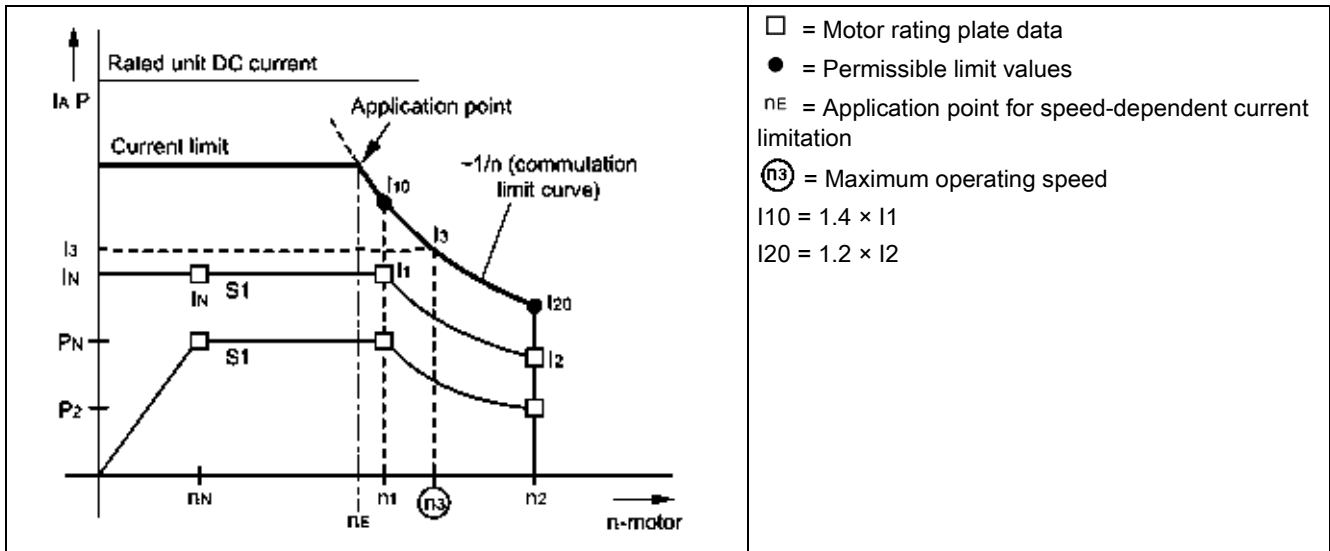
The actual maximum operating speed is determined as follows:

- Using p2000 in cases where the actual speed value comes from an incremental encoder
- Using p50741 in cases where the actual speed value comes from an analog tachometer
- Using p50115 in the case of operation without a tachometer

Aside from this, speed-dependent current limitation must be activated by setting p50109 to 1.

NOTICE
Making an incorrect setting for speed-dependent current limitation can lead to excessive stress on the commutator and brushes, which in turn results in a significantly reduced service life for the brushes.

Setting speed-dependent current limitation for motors with a bend in the commutation characteristic



The current limitation curve is determined using n1, I10, n2, and I20.

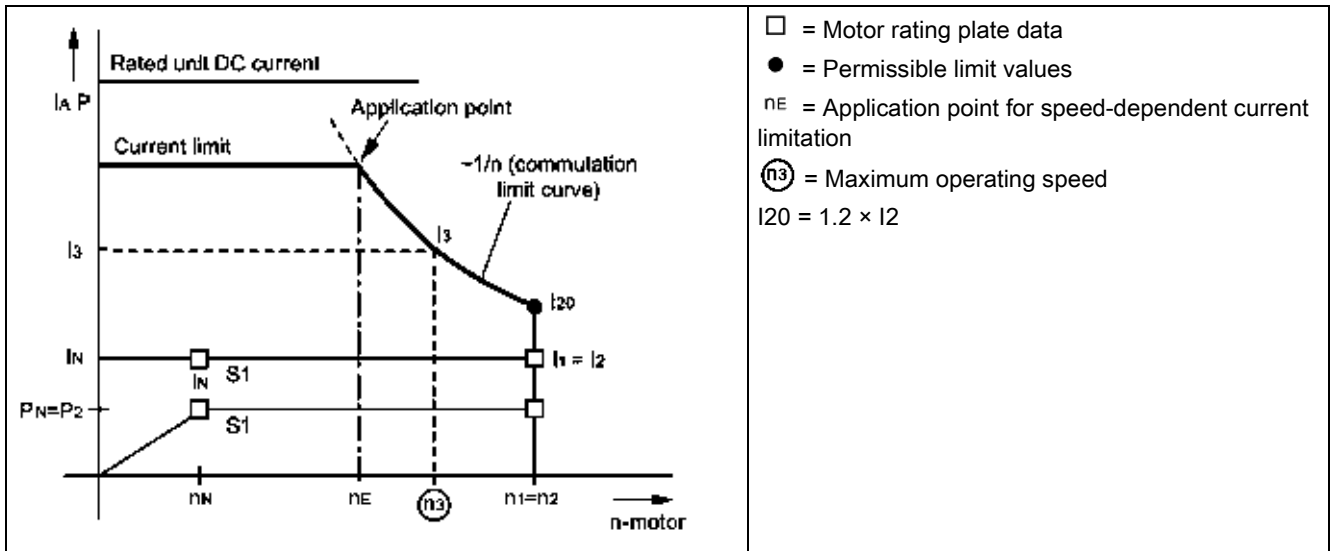
Parameter:

- p50104 = n1
- p50105 = I1 (unit calculates I10 from this)
- p50106 = n2
- p50107 = I2 (unit calculates I20 from this)
- p50108 = n3 (defines the speed scaling)
- p50109 = 0 ... speed-dependent current limitation switched off
- p50109 = 1 ... speed-dependent current limitation switched on

* S H U N T -MOT.		1GG5162-0GG4 . -6HU7-Z		EN 60034	
NRE				KW	
V	n1 1/MIN n2	I1 A I2			
46-380	50-1490	78.0-78.5	0.880-26.0		
380	3400/4500	REG. 80.0/58.0	26.0 / 19.0		
ERR.	V A	THYR.: B6C LV=	0MH 380V/ 50HZ		
SEP.	310 2.85	IP 23	IM B3		
	77/51 0.87/0.60		I.C.L.F		
Z: A11 G18 K01 K20					
SEP. VENTIL.					

Figure 10-75 Example of a motor rating plate

Setting speed-dependent current limitation for motors without a bend in the commutation characteristic



* S H U N T -MOT.		1GG5116-0FH40-6HU7-Z	
NRE		EN 60034	
V	n2 = n1	1/MIN	A
46-380	50-2300	36.0-37.5	0.265-12.0
380	6000 REG.	38.5	I2 = I1
ERR.	V	A	THYR.: B6C LV=
SEP.	310	1.45	0MH 380V/ 50HZ
	54	0.32	IP 23
			IM B3
			I.CL.F
Z: A11 G18 K01 K20			
SEP. VENTIL.			

Figure 10-76 Example of a motor rating plate

10.22 Dynamic overload capability of the power unit

10.22.1 Overview of functions

The rated unit DC current specified on the unit rating plate (= maximum permissible continuous DC current when $p50077 = 1.00$) may be exceeded during operation. The extent to which this value is exceeded and how long this lasts are subject to certain limits, which are explained in more detail in the section that follows.

The absolute upper limit for overload currents is $1.8 \times$ the rated unit DC current $\times p50077$ ($= 1.8 \times r50072[0] \times p50077$). The maximum overload duration depends on the overload current's time characteristic as well as on the unit's load history, and differs from power unit to power unit.

Each overload must be preceded by an underload (load phase with load current $< p50077 \times$ rated unit DC current). Once the maximum permissible overload duration has elapsed, the load current must return to at least $\leq p50077 \times$ rated unit DC current.

The dynamic overload for the power unit is monitored by a software algorithm (I^2t monitoring of the power unit). I^2t monitoring uses the time characteristic for the actual load current value to calculate the time characteristic for the thyristors' temperature rise above the ambient temperature. When the converter unit is switched on, the calculation process starts with the initial values that were determined before the electronic power supply was last shut down. The environmental conditions (ambient temperature, installation altitude) can be taken into account by setting parameter $p50077$. In the delivery condition, the ambient temperature is always set to the maximum possible value without derating (i.e. $45\text{ }^\circ\text{C}$ for self-ventilated units and $40\text{ }^\circ\text{C}$ for units with forced ventilation).

I^2t monitoring responds when the temperature rise calculated in the thyristors becomes too high. However, it is also possible to set the following alternative responses using parameters:

$p50075 = 0$: I^2t monitoring is disabled. The armature current is limited to $p50077 \times$ rated unit DC current ($= p50077 \times r50072[0]$).

$p50075 = 1$: Alarm A60039 with reduction in armature current setpoint to $p50077 \times$ rated unit DC current

$p50075 = 2$: Fault F80139 with unit shutdown

Parameters $r52310$ and $r50014[1]$ show the calculated thyristor temperature rise as a % of the maximum permissible thyristor temperature rise. This maximum temperature rise differs from power unit to power unit, but falls approximately between $80\text{ }^\circ\text{C}$ and $90\text{ }^\circ\text{C}$.

10.22.2 Configuring for dynamic overload capability

The DVD documentation for the SINAMICS DCM provides the following information for each converter unit:

- The **maximum overload duration** t_{on} When starting up with a cold power unit and specified constant overload with overload factor X (i.e. load with X times the device rated DC current * p50077) (see the small table at the top right)
- The **maximum zero current interval** $t_{starting\ from}$ (maximum cooling time) until the power unit reaches the thermal state "cold" (see below the small table at the top right)
- **Limiting characteristic fields for determining overload capability** during thermally stabilized, intermittent operation with overload (periodic duty cycles)
 - Tabular representation: Top left
 - Representation as curve with logarithmic y axis: Curve at bottom left
 - Representation as curve with linear y axis: Curve at bottom right

Note:

The power unit is "cold" when the calculated thyristor temperature rise is less than 5% of its maximum permissible value. This state can be queried using a binary assignable output.

Note:

If you start duty cycles with a cold power unit at least partially within the specified duty cycle limits, then the thermally stabilized state is reached without I²t monitoring responding.

If I²t monitoring is parameterized for a shutdown function (p50075 = 2), you should not come too close to the limiting characteristic when configuring periodic duty cycles that are longer than, slightly shorter than, or equal to 300 s.

In all other cases, however - and particularly when parameterizing I²t monitoring for a reduction in the armature current setpoint (p50075 = 1) - you can utilize the maximum overload capability determined by the limiting characteristic to its full extent.

Structure of limiting characteristic fields for intermittent operation with overload:

Each of the limiting characteristic fields relates to a duty cycle during intermittent overload operation with an **overall duration** (time period) of 300 s.

A duty cycle of this type consists of two time intervals:

The **base load duration** (actual armature current value \leq p50077 * rated unit DC current) and

The **overload duration** (actual armature current value \geq p50077 * rated unit DC current)

Each limiting characteristic represents the maximum permissible **overload duration** T_p in excess of the **maximum base-load current** I_g for a specific **overload factor** X and a specific device.

For the **remaining duration** of the duty cycle, the **base-load current** determined using the overload factor must not be exceeded.

If no limiting characteristic has been specified for the required overload factor, then it will be subject to the limiting characteristic for the next largest overload factor.

The limiting characteristic fields apply for a duty cycle duration of 300 s.

For cycle durations < 300 s, the overload duration must be reduced proportionally (cycle duration/300 s).

For cycle durations > 300 s, only the same overload duration as with a cycle duration of 300 s is permitted; the base load duration is correspondingly longer.

The limiting characteristic fields apply for $p_{50077} = 1.00$. When setting p_{50077} to ≤ 1.00 , i.e. reducing the thermal load, the currents that are actually flowing must be evaluated with the factor $1/p_{50077}$:

Overload factor for characteristic X:

$$X = \text{Actual overload current} / (p_{50077} \times \text{rated unit DC current})$$

Actual maximum base-load current I_g :

$$I_g = p_{50077} \times \text{maximum base-load current acc. to characteristic} \\ \text{as a \% of the rated unit DC current}$$

Basic tasks for configuring periodic operation with overload

Designations:

Base load duration₃₀₀ = Minimum base load duration for 300 s cycle duration

Overload duration₃₀₀ = Maximum overload duration for 300 s cycle duration

Basic task 1

Known:

Device types, cycle duration, overload factor, overload duration

To be found:

Minimum base load duration and maximum base-load current

To reach solution:

Select the limiting characteristic for the known unit and overload factor

Cycle duration < 300 s:

$$\text{Overload duration}_{300} = (300 \text{ s}/\text{cycle duration}) \times \text{overload duration}$$

Cycle duration \geq 300 s:

$$\text{Overload duration}_{300} = \text{Overload duration}$$

If: $\text{Overload duration}_{300} > \text{overload duration}_{300}$ for base-load current = 0

Then: Required duty cycle cannot be configured

Other-wise: Read the maximum base-load current for overload duration₃₀₀ from the limiting characteristic

Example 1:

Known:

30 A/4Q unit; cycle duration 113.2 s; overload factor = 1.45; overload duration = 20 s

To be found:

Minimum base load duration and maximum base-load current

Solution:

Limiting characteristic for 30 A/4Q unit, overload factor 1.5

$$\text{Overload duration}_{300} = (300 \text{ s}/113.2 \text{ s}) \times 20 \text{ s} = 53 \text{ s}.$$

$$\text{Base load duration}_{300} = 300 \text{ s} - 53 \text{ s} = 247 \text{ s} \rightarrow$$

$$\text{Maximum base-load current} = \text{approx. } 45\% \text{ of } I_N = 13.5 \text{ A}$$

Basic task 2

Known:

Device types, cycle duration, overload factor, base-load current

To be found:

Minimum base load duration and maximum overload duration

To find solution:

Select the limiting characteristic for the known unit and the known overload factor.

Read the overload duration₃₀₀ for the base-load current from the limiting characteristic.

Cycle duration < 300 s:

Max. overload duration = (cycle duration/300 s) * overload duration₃₀₀

Min. base load duration = cycle duration – max. overload duration

Cycle duration ≥ 300 s:

Max. overload duration = overload duration₃₀₀

Min. base load duration = cycle duration – max. overload duration

Example 2:

Known:

30 A/4Q unit; cycle duration 140 s; current-overload factor = 1.15; base-load current = $0.6 \cdot I_N = 18 \text{ A}$

To be found:

Minimum base load duration and maximum overload duration

Solution:

Limiting characteristic for 30 A/4Q unit, overload factor 1.2

Base-load current = 60% of $I_N \rightarrow$ overload duration₃₀₀ = 126.35 s.

Max. overload duration = (140 s./300 s.) × 126.35 s. = approx. 58 s.

Min. base load duration = 140 s. – 58 s. = 82 s.

10.23 Sensor for the ambient and/or air intake temperature

For the SINAMICS DC MASTER, a sensor for the ambient and/or air intake temperature is available as option (order code L15, see Chapter Ordering information for options and accessories (Page 30)). The sensor is mounted in the cooling air intake of the device.

Please note that when ordering SINAMICS DCM, it is only possible to subsequently retrofit a sensor in the manufacturer's factory.

- The temperature sensor is indicated as being available at r52049[1].
- The measured temperature is available at r52050[1] and at r50013[1]. For example for
 - Evaluation with "free function blocks" or "DCC charts" or
 - Transfer to a higher-level automation system via fieldbus (PROFIBUS/PROFINET)
- The derating (see Chapter Derating (Page 74)) is automatically adapted to the measured air intake temperature.

Commissioning

If option L15 is being used, at p50077 the derating factor for the power reduction as result of increased installation altitude (K2 according to the following table) must be set, and not the derating factor according to the tables in Chapter Derating (Page 74).

Installation altitude	Derating factor K2
1000 m	1.0
2000 m	0.9
3000 m	0.8
4000 m	0.7
5000 m	0.6

Function

- **Calculating the derating factor**
 Effective derating factor $K = K1 \times K2$
 K1 = derating as a result of increased air intake temperature
 K2 = derating as a result of increased installation altitude (see the table above)
 K1 is continually calculated, taking into account the measured air intake temperature (limited to max. 1.0). Through multiplication with K2, the derating factor K is determined and used to generate the current limit r52130, see function diagram 8042 in the SINAMICS DCM List Manual.
- **Monitoring the air intake temperature**
 For self-ventilated (self-cooling, cooling type AN) devices, the following applies:
 Alarm threshold = 52° C
 Fault threshold = 57° C
 For force-ventilated (with forced air cooling, type AF) devices, the following applies:
 Alarm threshold = 47° C
 Fault threshold = 52° C

Reaction:

Measured air intake temperature (r52050[1] or r50013[1])

- Is greater than the alarm threshold → Alarm A60080
- Is higher than the fault threshold → Fault F60067
- Is greater than 115° C → Fault F60096 with fault value 2 (i.e. the temperature sensor is short-circuited)
- Is less than -25° C → Fault F60096 with fault value 1 (i.e. the temperature sensor is interrupted)

Use of the SINAMICS DCM in a SINAMICS DCM Cabinet drive cabinet with option L99

Option L99 provides the same functionality as option L15.

Devices with software version as of 1.4:

Alarm A60082 is output if the drive performs an automatic derating as a result of the measured air intake temperature. The response threshold for this alarm can be configured with p50066.

The description for option L99 can be found in the operating instructions for the SINAMICS DCM Cabinet.

Note

For devices with option L15, p50066 has no effect and A60082 is not available.

10.24 Calculating the thyristor blocking voltage

The SINAMICS DCM converter offers the possibility of continually determining the voltage available at each individual thyristor of the armature converter. The voltage is used to identify which armature thyristors are presently conducting and which are presently blocked.

This information is available via BICOs (see function diagram 6950).

This information is used for the following functions as input variable:

- Inverter commutation fault detection and initiation of the CCP
The thyristor that is relinquishing the current must assume the blocking voltage, otherwise, commutation was unsuccessful.
- Torque direction changeover (sequential logic module)
Before a thyristor of the new torque direction is triggered, all thyristors associated with the old torque direction must be blocked. The condition is evaluated in addition to the $I_a=0$ message.

The voltage at the armature thyristors is determined from the following measured values:

- Two phase-to-phase line supply voltages (UV, VW)
- Voltage at a thyristor (for 4Q: Anti-parallel thyristor pair) (X13/X26)
- DC voltage (V_a)

Selecting the thyristor blocking voltage calculation using p50166:

This parameter is only evaluated once during power up, i.e. a change only takes effect after a restart or power up with saved parameters (p0976 = 11).

The thyristor blocking voltage calculation is only really required in just a few applications and requires approx. 5% processor utilization; this is the reason that it is deactivated in the factory setting.

- p50166 = 0 Thyristor blocking voltage monitoring not active (factory setting)
- = 1 Thyristor blocking voltage monitoring active

Activation is recommended in the following cases:

- If a SIMOREG CCP is connected to the SINAMICS DCM.
- If a motor is not connected to the armature converter, but instead, a very large inductance.

Note

The thyristor blocking voltage calculation function is available from the following version of the power interface module

- C98043-A7105-L1-8
- C98043-A7105-L4-8
- C98043-A7106-L1-6
- C98043-A7106-L4-7
- C98043-A7107-... (option L05): All releases
- C98043-A7108-... (option L05): All releases
- A5E... : All releases

This information is provided on the bar code label on the printed circuit board.

10.25 Automatic restart

"Automatic restart" means:

When brief interruptions in the network (such as voltage dips) occur, the SINAMICS DC MASTER does not enter the "FAULT" operating state immediately, but instead blocks the armature firing pulses before automatically re-enabling them once the network returns to normal.

"Brief" refers to a time that is shorter than the time set at p50086 (= hot restart time)

During the brief pulse inhibit period that is initiated when faults occur in the network, the SINAMICS DC MASTER waits in operating state o4.0 (for power system faults in the armature circuit) or o5.1 (for power system faults in the field circuit).

If the network does not return to normal during the hot restart time, the relevant fault is triggered as soon as it elapses.

The following faults relate to the "Automatic restart" function:

F60004	Armature circuit phase failure (1U1, 1V1, 1W1)
F60005	Field circuit phase failure (3U1, 3W1)
F60006	Undervoltage (armature current or field current)
F60007	Overvoltage (armature current or field current)
F60008	Line frequency too low (armature current or field current)
F60009	Line frequency too high (armature current or field current)

Note

There is no automatic restart when the electronics power supply fails.

10.26 Operation on a single-phase line supply

SINAMICS DCM converters with rated DC currents of up to 125 A and a rated armature supply voltage of 575 V can also be operated on single-phase line supplies.

Areas of application for this operating mode include

- Replacement of older single-phase converters employing analog technology
- Plants and systems where there is no 3-phase line supply
- Presenting and demonstrating SINAMICS DCM in seminar hotels and demonstration rooms where generally there is no three-phase line supply

Note

For single-phase operation, dynamic overload of the devices is not possible. The I^2t monitoring must be deactivated ($p50075=0$). If the I^2t monitoring is activated, for single-phase operation, fault 60058 is output with fault value 4.

Connection

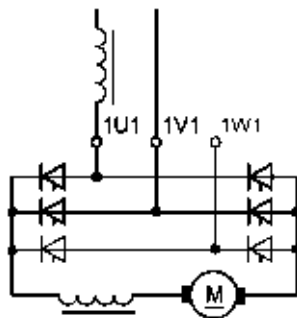


Figure 10-77 Connection to a single-phase line supply

The converter is connected to the line supply (one phase and the neutral conductor, e.g. 230 V or two phase conductors of a three-phase line supply, e.g. 400 V) via terminals 1U1 and 1V1. Connection 1W1 remains free.

It is mandatory that a single-phase line reactor or a transformer with 4% u_k is provided, which only supplies the DC converter involved.

Commutating reactor and transformer should be selected according to the rated motor current of the armature circuit.

In this B2 circuit, the line current is equal to the DC current in the armature circuit. All of the other line-side drive components should be dimensioned according to this. Further, due to the higher current ripple when compared to six-pulse operation, a smoothing reactor must be provided in the DC circuit. Please contact the motor manufacturer when dimensioning the smoothing reactor.

Parameterization

Selecting operation on a single-phase line supply with **p51799 = 1**

If single-phase operation is selected for a converter with more than 125 A rated DC current, then fault message F60058 with fault value r0949[0]=5 is output when the converter is switched-on.

The high current ripple in this mode causes ripple in the actual speed. For smooth speed control, it is recommended to set the actual speed smoothing to approx. 10 ms (p50200 = 10 ms)

Derating

When selecting operation on a single-phase line supply, the rated DC current (r50072[0]) is automatically reduced to 67% of the value for 3-phase operation. The reason for this is the uneven distribution of the current in the thyristors in the power unit of the drive converter.

As a consequence, the rated output voltage is also reduced. See also Technical data in Chapter 4.

10.27 Connecting units in parallel and in series

Topology overview

Several SINAMICS DCM converters can be arranged in various topologies. The following topologies are supported:

- **6-pulse parallel connection**

This topology is used in order to realize converter power ratings that are above the highest available SINAMICS DCM rating.

- **12-pulse parallel connection**

This topology is especially used at higher power ratings to achieve lower line harmonics. In addition, by using this circuit, a lower DC current ripple is obtained when compared to a 6-pulse connection. One or several 6-pulse converters can be connected in parallel to each of the two 12-pulse converters connected in parallel.

- **6-pulse series connection**

This topology is used to achieve a higher no-load DC voltage. The following versions are available:

- Both converters are operated with the same firing angle.
- Sequence control (one of the two converters is always at a control limit, the other converter controls the armature current)
- Series connection of a controlled converter with an uncontrolled converter (thyristor bridge B2 + diode rectifier)

One or several converters can be connected in parallel to each of the converters connected in series to increase the power rating.

- **12-pulse series connection**

The topology corresponds to a 6-pulse series connection. In addition, a lower DC current ripple is obtained when compared to a 6-pulse connection. One or several converters can be connected in parallel to each of the converters connected in series to increase the power rating.

Note

- All of the topologies listed here are only permissible in the restricted line frequency range from 20 Hz to 65 Hz.
 - For all of the topologies listed here, only devices with the same DC current rating may be used.
 - For all of the topologies listed here, only devices with the same software version may be used.
-

Note

More information about design is given in the associated application notes (see link in preface).

Communication

Note

Before activating the parallel interface (i.e. before setting $p51800 > 0$), a unique station address must be set at $p51806$ on all SINAMICS DCMs. Otherwise, the parallel interface will not work property.

Remedy in this case: Switch the electronic power supply off and then on.

- In the particular topology, communication between all converters is established via the parallel interface. The CUDs of all converters should be connected with one another.
- The parallel interface allows a maximum of 16 nodes to communicate.
- The devices are connected using 8-core shielded patch cables, type UTP CAT5 according to ANSI/EIA/TIA 568, such as those that are used to network PCs. A standard 5 m long cable can be directly purchased from Siemens (article number: 6RY1707-0AA08). (n-1) cables are required to connect n devices. The bus termination must be activated at the devices at the start of the bus and at the end of the bus ($p51805=1$).

Note:

A patch cable according to TIA568A (European) or TIA568B (American) can be used. However, both cable ends must be wired according to the same standard (patch cable = 1:1). A crossover cable is **not** suitable.

- The parallel interface also enables any BICOs (that can be parameterized by the user) to be exchanged between nodes. See function diagrams 9352 and 9355. Exchanging data in this way is not required for closed-loop control of the firing pulses or for generating them, and is available for the user for any purpose.

Remark: For a 12-pulse series connection, it is not permissible that the parallel interface is used to transfer BICOs, i.e. $p51801 = 0$ must be set. Failure to comply with this remark can result in sporadic current peaks.

- For additional details on how devices are connected in parallel, please refer to function diagrams 9350, 9352, and 9355.

Controller

- For all of the topologies, a SINAMICS DCM is used as the master converter. The other converters are called slave converters.
- The control commands - switch-on/stop, operating enable, quick stop, etc. are fed to the master converter for all topologies.

At the slave converters, terminals 12 and 13 must be permanently connected to terminal 9. If, in spite of this, a control command is entered at a slave converter, then it has the following consequences:

OFF1	Has no effect, as long as $n < n_{min}$ has not been reached, then the current is reduced to zero at the slave and the slave goes into operating state o7.0 or o7.1
OFF2	The current is reduced to zero at the slave, then the slave goes into operating state o10.1 or o10.2

OFF3	no effect, as long as $n < n_{min}$ has not been reached, then the current is reduced to zero at the slave and the slave goes into operating state o9.1 or 9.2
E-STOP	The current is reduced to zero at the slave, then the slave goes into operating state o10.3
Operating enable	The current is reduced to zero at the slave, then the slave goes into operating state o1.1 or o1.

As long as the master does not receive a switch-on command, the slaves stay in operating state o10.0 (wait for switch-on from the master).

If the master receives a switch-on command, then it automatically transfers this to the slaves. Then, all devices carry out their switch-on sequence, i.e. they attempt to go into operating state o0. However, the master waits in operating state o1.7 until all slaves have reached operating state o0 (exception: n+m operation for a 6-pulse parallel connection)

If a slave leaves operating state o0, then the master outputs fault message F60044 (exception: n+m operation for a 6-pulse parallel connection)

- The speed setpoint and the actual speed value should be entered at the master converter.
- The optimization runs should be started at the master converter. The slave converters must be connected and ready for operation at this point.

Miscellaneous

Note

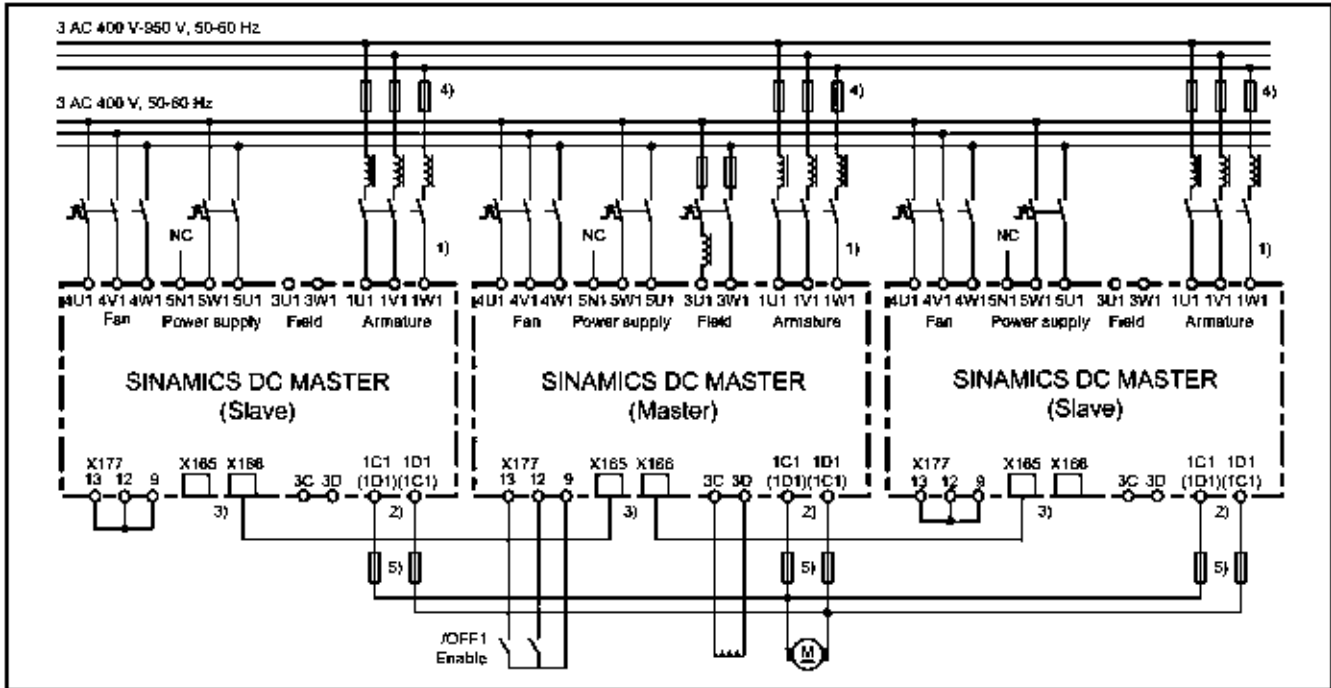
For a slave converter the i^2t monitoring of the motor should be deactivated (p50114=0), because for a non-symmetrical current, this would then respond at the slave.

10.27.1 6-pulse parallel connection

Topology

Basic topology

The topology of a 6-pulse parallel connection, comprising a master converter and two slave converters is shown in the following diagram.



- 1) The same phase sequence is required between 1U1/1V1/1W1.
- 2) The same phase sequence is required between 1C1/1D1.
- 3) The devices are connected using (8-pin) shielded patch cables of type UTP CAT5 in acc. with ANSI/EIA/TIA 568, such as those that are used in PC network technology.
A standard, 5 m cable can be obtained directly from Siemens (article number: 6RY1707-0AA08).
(n-1) cables are required for connecting n devices in parallel.
The bus terminator must be activated for each device positioned at the start or end of the bus (p51805 = 1).
- 4) These fuses may only be used with devices up to 850 A.
- 5) Only with devices up to 850 A during 4Q operation.

Figure 10-78 Connecting the devices in parallel

- Up to six devices can be connected in parallel.
- When connecting several devices in parallel, the master device should be positioned centrally due to the signal runtimes. Maximum cable length of the parallel-connection interface cable between master and slave devices at each bus end: 15 m.
- Separate line reactors of the same type are required for each device for current splitting purposes. The difference in reactor tolerances determines the current splitting. For operation without derating (current reduction), a tolerance of 5% or less is recommended.

Extended topology

The topology of a 6-pulse parallel connection, comprising a master converter, one substitute master, two slave converters, as well as an independent converter is shown in the following diagram.

The converters SINAMICS DCM 1, DCM 2, DCM 3 and DCM 4 are operated in the n+m operating mode. The SINAMICS DCM 5 converter is, regarding its power unit, independent of the others. It only exchanges BICOs with them via the parallel interface.

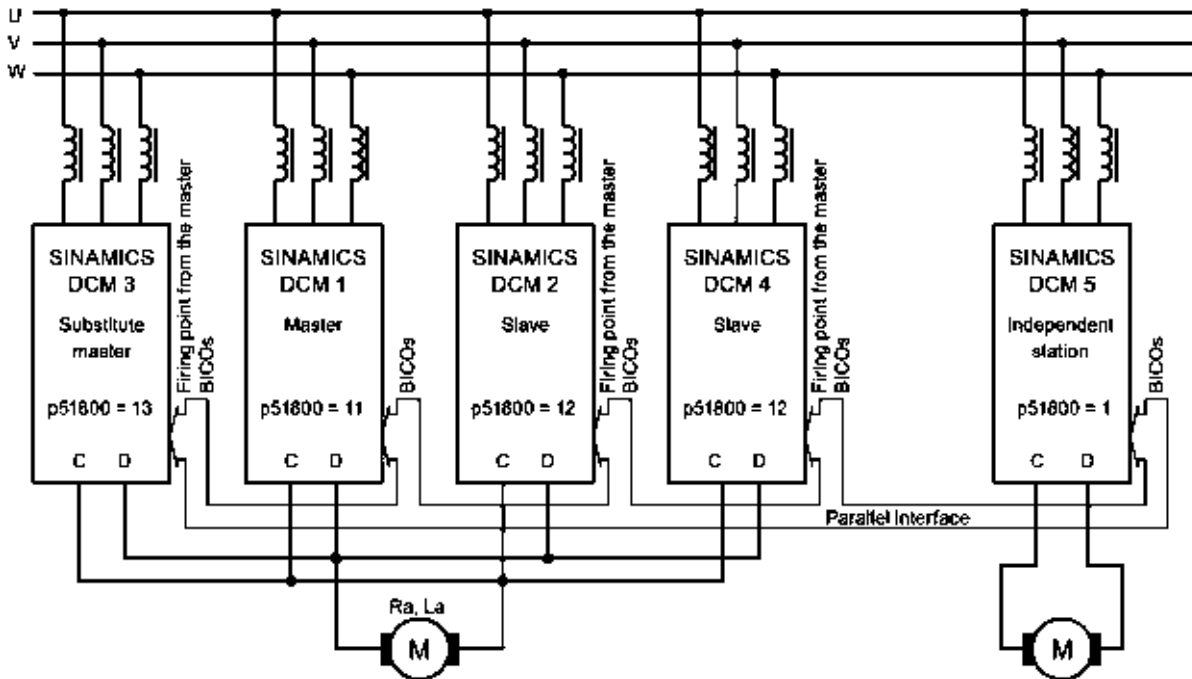


Figure 10-79 6-pulse parallel connection, extended topology

Operating modes of the 6-pulse parallel connection

There are two operating modes:

Standard mode:

A SINAMICS DCM is defined as the master. This device carries out the closed-loop speed control, the closed-loop armature-current control, the line synchronization tasks and determines the firing points. The firing points and the thyristor pair to be fired are transferred to the slave devices; all the slaves then fire the thyristor pairs at these points.

n+m mode:

n+m converters are connected in parallel. When up to m converters fail (e.g. a fuse ruptures in the power unit, a fault message occurs), operation is maintained without any interruption.

For n+m operation, a SINAMICS DCM is defined as master. Additional SINAMICS DCM are defined as substitute masters. As with the standard mode, the device defined as the master carries out the closed-loop speed control, the closed-loop armature current control, the line synchronization tasks and determines the firing points.

If a slave fails (due to a fuse blowing in the power unit or a fault being output, for example), operation continues with the remaining converters. The SINAMICS DCMs that are still in proper working order continue to operate uninterrupted.

If a master fails (due to a fuse blowing in the power unit or a fault being output, for example) a substitute master automatically becomes the master and the remaining devices continue to operate uninterrupted. If several SINAMICS DCMs are parameterized as substitute master, the substitute master with the lowest bus address (p51806) that is ready for operation takes over.

Parameter r53311.0 indicates whether the SINAMICS DCM is currently operating as master (see FP9350).

During configuration, it is important to note that the power produced by n devices alone (rather than n+m devices) must also be sufficient for the application in question.

When operating the SINAMICS DCM together with a SIMOREG DC-MASTER Converter Commutation Protector (CCP), n+m operation must be deactivated.

Versions of the n+m operating mode:

1. n+m mode only in the armature circuit

In this operating mode, when the master fails, only the armature firing pulses and the upstream closed-loop control (setpoint channel, speed control, armature-current control) are transferred to the substitute master; however, not the field firing pulses and the upstream control (EMF control, field current control).

The main application for the operating mode is to supply large inductances (e.g. field windings of synchronous generators) with the SINAMICS DCM armature converter.

Activation:

At the master and substitute master devices, set p51803=1.

2. n+m mode in the armature circuit and in the field circuit

In this operating mode, when the master fails

- the armature firing pulses and the upstream control (setpoint channel, speed control, armature current control) and
- the field firing pulses and the upstream control (EMF control, field current control) are transferred to the substitute master.

Activation:

At the master and at the substitute master devices, set p51803=2.

Connection:

Outputs 3C and 3D (field DC voltage output) of the master and all substitute masters must be connected to the motor field winding in parallel.

Notes:

- When commissioning, after carrying out the optimization (by starting optimization runs, for example), all parameters set by the optimization runs must be transferred to all substitute masters.
- Since the field supplies are connected in parallel, part of the overall motor-field current flows through the freewheeling arm of the respective field power units with disabled field firing pulses. For detecting the total motor field current (displayed at parameter r50035), in the actual master, the free-wheeling current detected by the "partner" device is therefore automatically added.
Therefore, for this operating mode, there must be an intact parallel connection as well as an intact electronic power supply of the master and the substitute master – these are prerequisites.
If this operating mode is also to be used after the electronic power supply of the master or the substitute master fails, then the total motor field actual current value must be externally sensed. The value must be supplied to the master and substitute master using p50612.
- Generally speaking, the master function is only transferred from the active master to the substitute master via telegram and an intact parallel interface. Even if the master's electronic power supply fails, the master still has enough time to transmit a telegram for the purpose of transferring the master function.
- As soon as the parallel connection is interrupted (by disconnecting the parallel connecting cable), it can no longer be guaranteed that the master/slave assignment will be correct. The electronic power supply must be switched off and back on again at all devices!

Notes

- The control commands - switch-on/stop, operating enable, quick stop, etc. - must also be entered at all of the substitute master devices.
- The speed setpoint and the actual speed value must be entered at all substitute master devices.

Parameter assignment

Table 10- 50 6-pulse parallel connection, standard mode

Parameter		Master	Slave
p51799	Operating principle	0	The same as at the master
p51800	Position in the topology	11 (Master)	12 (Slave)
p51801	Number of send data	Any	Any
p51802	Minimum number of nodes	Number of SINAMICS DCM units in this topology	Number of SINAMICS DCM units in this topology
p51803	n+m mode	0	0
p51804[.]	Transmit data	Any	Any
p51805	Bus terminator	0 or 1 ¹⁾	0 or 1 ¹⁾
p51806	Station address	Unique address	Unique address
p51807	Telegram failure time	0.1 s	0.1 s
p50082	Field operating mode	≠ 0	0 (no field)
p50076[.]	Reduction in rated unit DC current	-	The same as at the master
p50078[.]	Rated value for supply voltage	-	The same as at the master
p50100	Rated motor current	Rated motor current/number of SINAMICS DCM	The same as at the master
p50110	Armature resistance Ra ²⁾	Actual armature resistance × number of SINAMICS DCM	The same as at the master
p50111	Armature inductance La ²⁾	Actual armature inductance × number of SINAMICS DCM	The same as at the master
p51591	La reduction factor ²⁾	-	The same as at the master

¹⁾ = 1 at the two outermost units (= at the physical ends of the bus line)
 = 0 on all of the other units

²⁾ The optimization run for current controller and precontrol (p50051 = 25) sets the correct values for these parameters.

Table 10- 51 6-pulse parallel connection n+m operation

Parameter		Master	Substitute master	Slave
p51799	Operating principle	0	The same as at the master	The same as at the master
p51800	Position in the topology	11 (Master)	13 (Substitute master)	12 (Slave)
p51801	Number of send data	Any	Any	Any
p51802	Minimum number of nodes	n	The same as at the master	The same as at the master
p51803	n+m mode	1 (only armature) 2 (armature + field)	The same as at the master	0
p51804[...]	Transmit data	Any	Any	Any
p51805	Bus terminator	0 or 1 ¹⁾	0 or 1 ¹⁾	0 or 1 ¹⁾
p51806	Station address	Unique address	Unique address	Unique address
p51807	Telegram failure time	0.1 s	0.1 s	0.1 s
p50082	Field operating mode	≠ 0	0 (if only armature) ≠ 0 (if armature + field)	0 (no field)
p50076[...]	Reduction in rated unit DC current	-	The same as at the master	The same as at the master
p50078[...]	Rated value for supply voltage	-	The same as at the master	The same as at the master
p50100	Rated motor current	Rated motor current/number of SINAMICS DCM	The same as at the master	The same as at the master
p50110	Armature resistance Ra ²⁾	Actual armature resistance × number of SINAMICS DCM	The same as at the master	The same as at the master
p50111	Armature inductance La ²⁾	Actual armature inductance × number of SINAMICS DCM	The same as at the master	The same as at the master
p51591	La reduction factor ²⁾	-	The same as at the master	The same as at the master
¹⁾ = 1 at the two outermost units (= at the physical ends of the bus line) = 0 on all of the other units ²⁾ The optimization run for current controller and precontrol (p50051 = 25) sets the correct values for these parameters.				

10.27.2 12-pulse parallel connection

Note

12-pulse applications

The circuit diagrams in this chapter are block diagrams.

You can find detailed information on interconnecting, dimensioning and parameterizing in the application document "12-pulse applications".

Support is also available through our Technical Support organization (for contact address, see the Preface).

Topology

The following diagram shows the topology of a 12-pulse parallel connection.

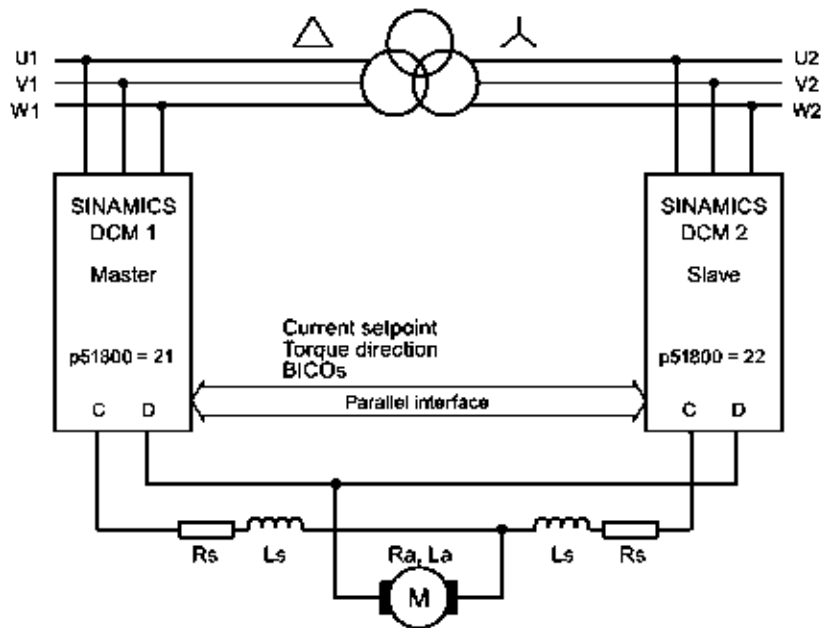


Figure 10-80 12-pulse parallel connection (1), block diagram

The following diagram shows the topology of a 12-pulse parallel connection, where an additional 6-pulse converter is connected in parallel to each of the two 12-pulse converters connected in parallel.

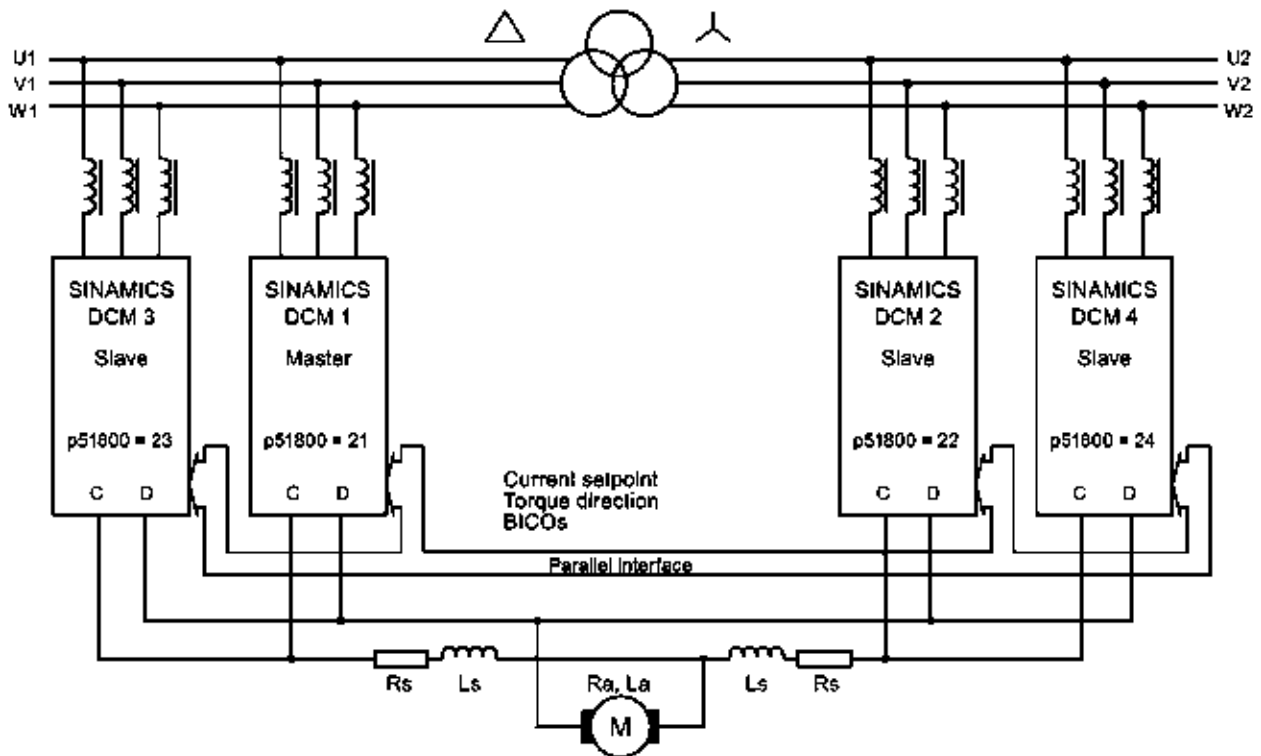


Figure 10-81 12-pulse parallel connection (2), block diagram

Note

If additional converters are connected in parallel to the master converter, then exactly the same number of converters must also be connected in parallel with the slave converter.

10.27.3 6-pulse series connection

Topology

The following diagram shows the topology of a 6-pulse series connection of two SINAMICS DCM.

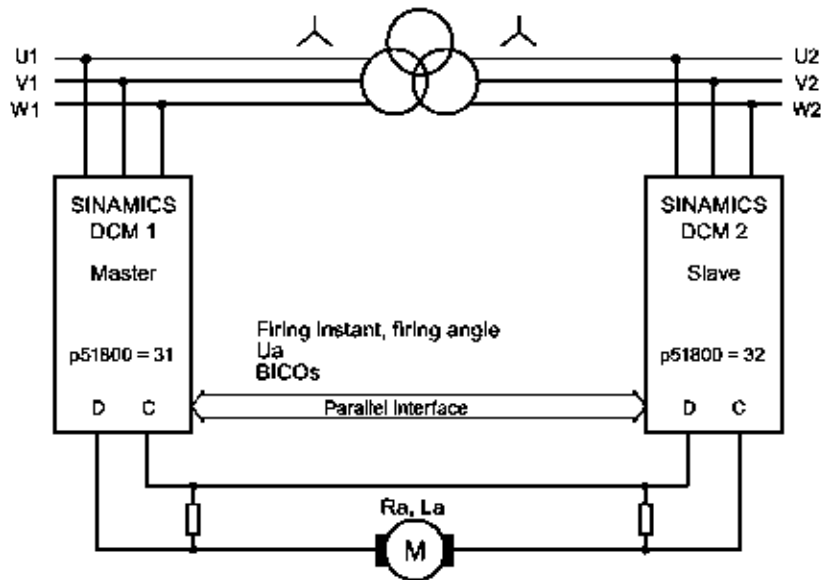


Figure 10-82 6-pulse series connection (1)

The following diagram shows the topology of a 6-pulse series connection, where additional converters are connected in parallel to each of the two 6-pulse converters connected in series.

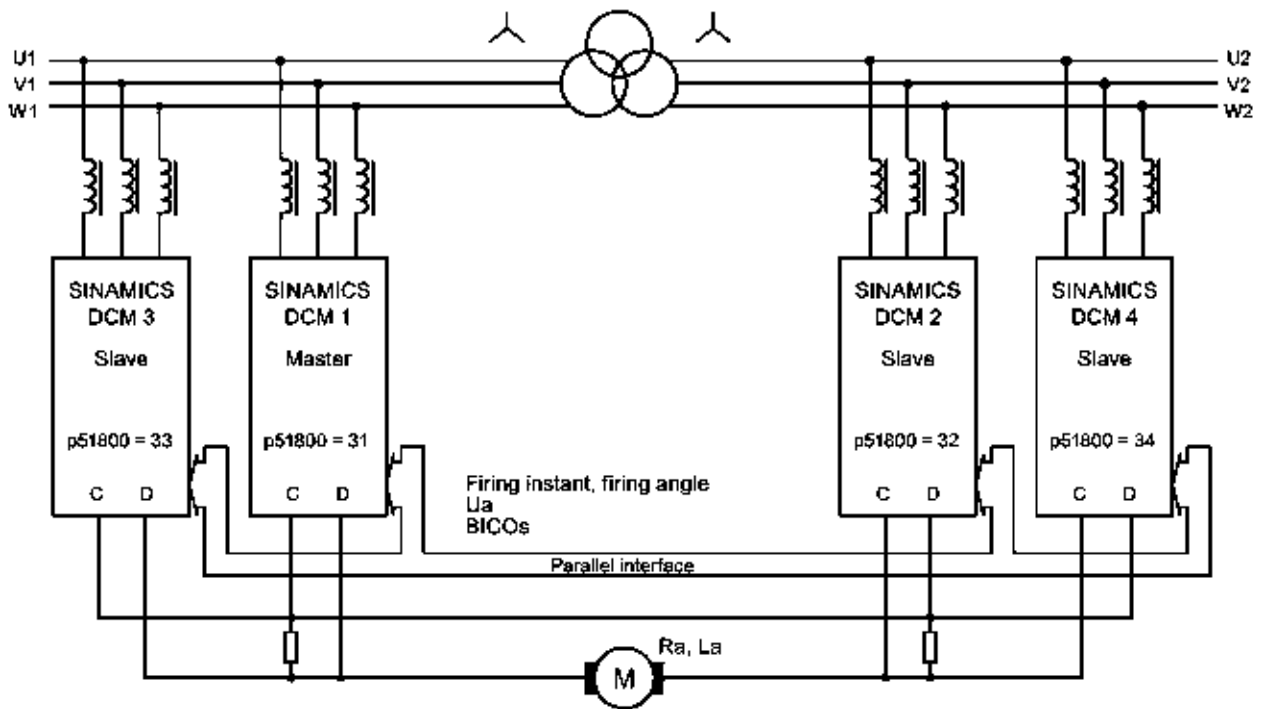


Figure 10-83 6-pulse series connection (2)

The instructions for dimensioning the balancing resistors can be found in an FAQ (for the link, see the Preface).

Operating modes

There are 2 operating modes:

- Operation with the same firing pulses (p51799 = 0 or p51799 = 31):**
 Both partial converters are fired at precisely the same point. The master calculates the firing point and this is transferred to the slave via the parallel interface. Synchronization to the line supply is exclusively performed by the master. The slave must be connected to the line supply with the same phase sequence as the master.
- Operation with sequence control (p51799 = 32):**
 Both partial converters synchronize to the line supply and generate their own firing points. The firing angle for the master and the firing angle for the slave are calculated by the master and the firing angle and the torque direction for the slave are transferred to the slave via the parallel interface. The firing angle for the master and slave are generated so that the reactive power load of the line supply is as low as possible. This is the case if one of the two partial converters is at a control limit and the other carries-out the closed-loop control. This type of closed-loop control is only possible for continuous current. Operation with the same firing points is automatically selected in the discontinuous (pulsating) current range.

Note

- The phase sequence at the master and the slave must be the same.

Parameter assignment

The following parameters should be specifically set for operation with this converter topology:

Table 10- 52 Parameter assignment, 6-pulse series connection

Parameter		Master	Slave or parallel units
p51799	Operating principle	0, 31 or 32	The same as at the master
p51800	Position in the topology	31 (Master)	32 (slave) 33 (parallel to the master) 34 (parallel to the slave)
p51801	Number of send data	Any	Any
p51802	Minimum number of nodes	Number of SINAMICS DCM units in this topology	Number of SINAMICS DCM units in this topology
p51803	n+m mode	0	0
p51804[.]	Transmit data	Any	Any
p51805	Bus terminator	0 or 1 ¹⁾	0 or 1 ¹⁾
p51806	Station address	Unique address	Unique address
p51807	Telegram failure time	0.1 s	0.1 s
p50082	Field operating mode	≠ 0	0 (no field)
p50076[.]	Reduction in rated unit DC current	-	The same as at the master
p50078[.]	Rated value for supply voltage	-	The same as at the master
p50100	Rated motor current	-	The same as at the master
p50110	Armature resistance Ra ²⁾	-	The same as at the master
p50111	Armature inductance La ²⁾	-	The same as at the master
p51591	La reduction factor ²⁾	-	The same as at the master
¹⁾ = 1 at the two outermost units (= at the physical ends of the bus line) = 0 on all of the other units ²⁾ The optimization run for current controller and precontrol (p50051 = 25) sets the correct values for these parameters.			

10.27.4 6-pulse series connection: controlled converter + uncontrolled converter

Topology

The following diagram shows the topology of a 6-pulse series connection of a SINAMICS DCM 2-quadrant unit and a diode rectifier. (thyristor bridge B6 + diode rectifier)

Remark:

The incoming AC voltage of the controlled converter should be 10% to 15% higher than that at the uncontrolled converter, in order that the current can be reliably reduced down to 0.

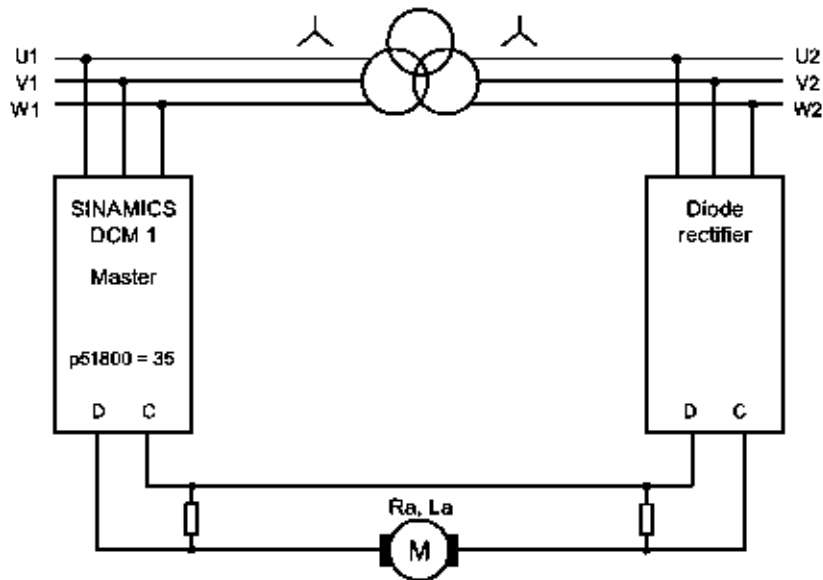


Figure 10-84 6-pulse series connection: controlled + uncontrolled rectifier

The instructions for dimensioning the balancing resistors can be found in an FAQ (for the link, see the Preface).

Parameter assignment

The following parameters should be specifically set for operation with this converter topology:

Table 10- 53 Parameter assignment, 6-pulse series connection

Parameter		Master	Units connected in parallel with the master
p51798	Voltage at an uncontrolled rectifier	Actual voltage as a percentage of the voltage at the master (standard: 85%)	The same as at the master
p51799	Operating principle	0	0
p51800	Position in the topology	35 (Master for diode rectifier)	33
p51802	Minimum number of nodes	Number of SINAMICS DCM units in this topology	Number of SINAMICS DCM units in this topology
p51807	Telegram failure time	0.0 s 0.1 s if units connected in parallel are available	0.1 s
p50082	Field operating mode	≠ 0	0 (no field)
p50076[...]	Reduction in rated unit DC current	-	The same as at the master
p50078[...]	Rated value for supply voltage	-	The same as at the master
p50100	Rated motor current	Rated motor current/number of SINAMICS DCM	The same as at the master
p50110	Armature resistance Ra ²⁾	Actual armature resistance × number of SINAMICS DCM	The same as at the master
p50111	Armature inductance La ²⁾	Actual armature inductance × number of SINAMICS DCM	The same as at the master
p51591	La reduction factor ²⁾	-	The same as at the master

²⁾ The optimization run for current controller and precontrol (p50051 = 25) sets the correct values for these parameters.

10.27.5 12-pulse series connection

Note

12-pulse applications

The circuit diagrams in this chapter are block diagrams.

You can find detailed information on interconnecting, dimensioning and parameterizing in the application document "12-pulse applications".

Support is also available through our Technical Support organization (for contact address, see the Preface).

Topology

The following diagram shows the topology of a 12-pulse series connection of two SINAMICS DCM.

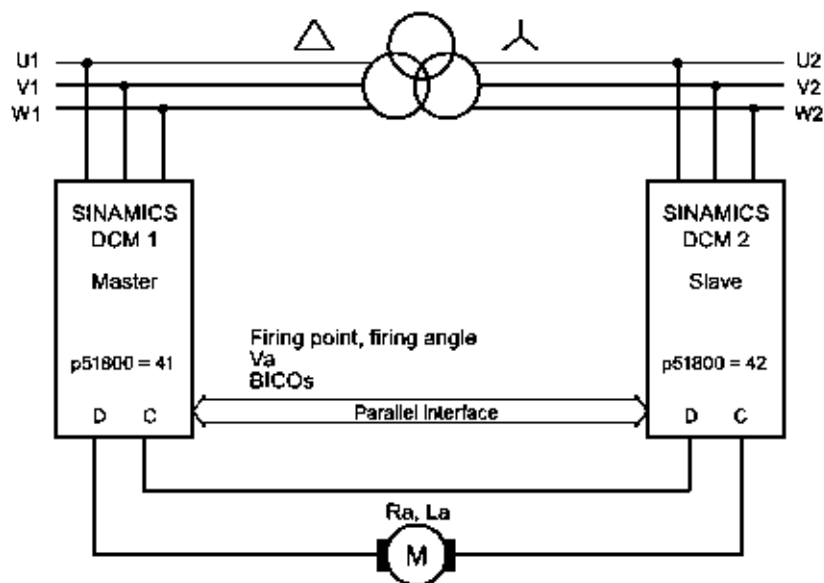


Figure 10-85 12-pulse series connection (1), block diagram

The following diagram shows the topology of a 12-pulse series connection, where an additional converter is connected in parallel to each of the two 12-pulse converters connected in series.

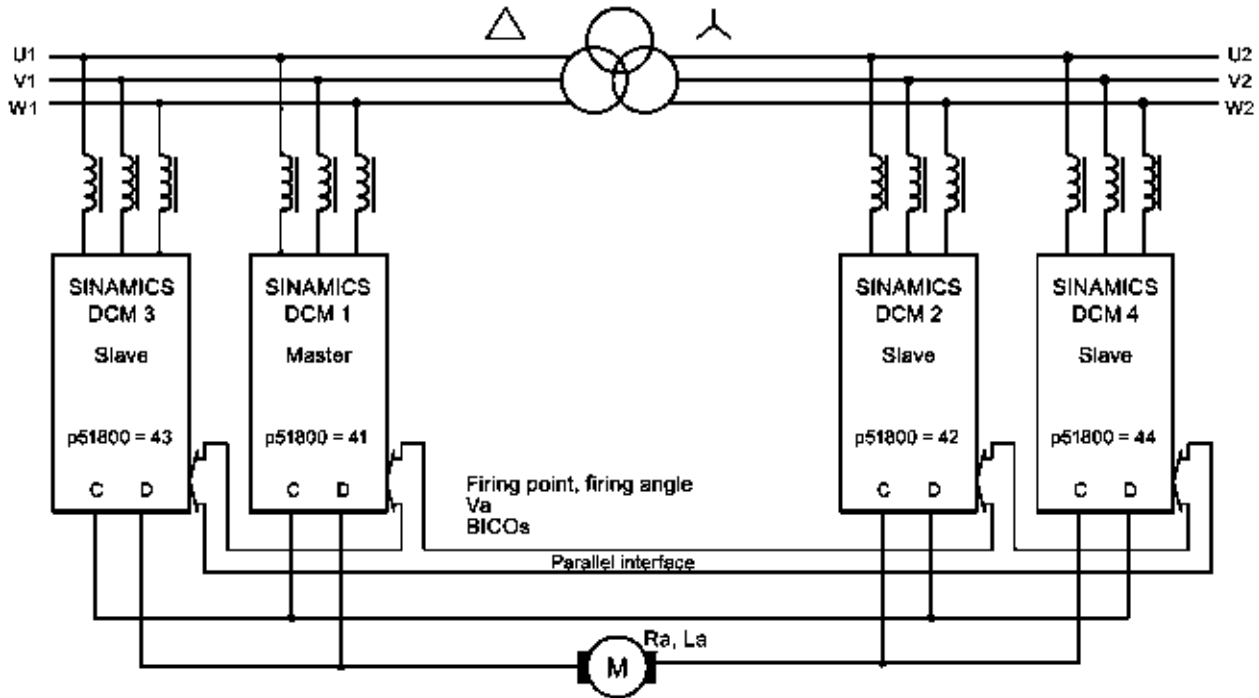


Figure 10-86 12-pulse series connection (2), block diagram

Operating modes

There are two operating modes:

- **Operation with the same firing pulses (p51799 = 41):**
Both partial converters are fired at precisely the same instant. The master calculates the firing point and this is transferred to the slave via the parallel interface. Synchronization to the line supply is exclusively performed by the master. The slave must be connected to the line supply with the same phase sequence as the master.
- **Operation with sequence control (p51799 = 42):**
Both partial converters synchronize to the line supply and generate their own firing points. The firing angle for the master and the firing angle for the slave are calculated by the master and the firing angle and the torque direction for the slave are transferred to the slave via the parallel interface. The firing angle for the master and slave are generated so that the reactive power load of the line supply is as low as possible. This is the case if one of the two partial converters is at a control limit and the other carries-out the closed-loop control. This type of closed-loop control is only possible for continuous current. Operation with the same firing points is automatically selected in the discontinuous (pulsating) current range.

Remark

The current ripple is significantly higher during operation with sequence control than operation with the same firing pulses. In this case, the current ripple approximately corresponds to that for 6-pulse operation. Especially in older motors, under certain circumstances this ripple can cause problems (for example, during commutation).

Therefore, a conscious decision must be made:

- Low ripple, but no reduction of the reactive power:
→ Operation with the same firing pulses (p51799 = 41)
- Low reactive power, but no reduction of the ripple:
→ Operation with sequence control (p51799 = 42)

Note

The power unit of the slave converter must be connected to the 12-pulse transformer so that its phases lag the phases of the line supply at the master by 30°. The phase sequence must be the same.

10.27.6 12-pulse series connection: controlled converter + uncontrolled converter

Note

12-pulse applications

The circuit diagrams in this chapter are block diagrams.

You can find detailed information on interconnecting, dimensioning and parameterizing in the application document "12-pulse applications".

Support is also available through our Technical Support organization (for contact address, see the Preface).

Topology

The following diagram shows the topology of a 12-pulse series connection of a SINAMICS DCM 2-quadrant unit and a diode rectifier. (thyristor bridge B6 + diode rectifier)

Remark:

The incoming AC voltage of the controlled converter should be 10% to 15% higher than that at the uncontrolled converter, in order that the current can be reliably reduced down to 0.

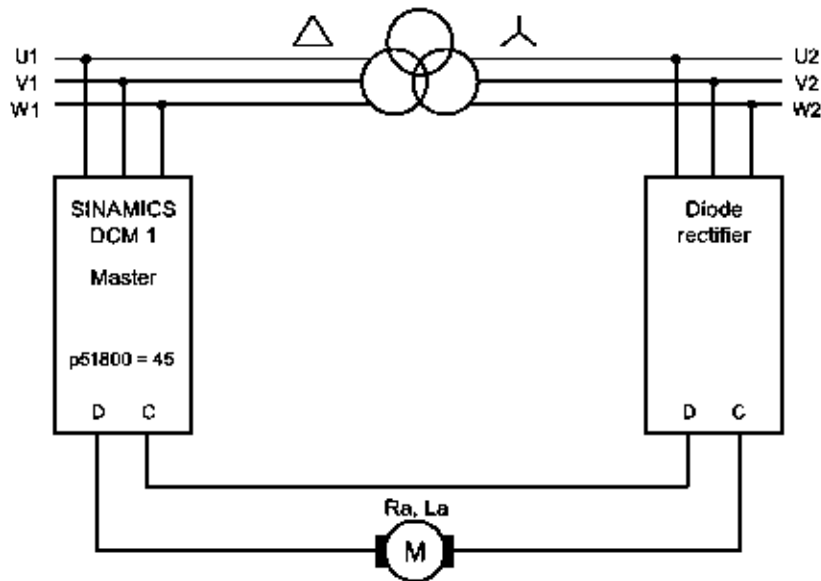


Figure 10-87 12-pulse series connection: Controlled + uncontrolled rectifier, block diagram

10.27.7 Switchover of the power unit topology - option S50

Ordering information for option S50, see Chapter 2

Note

SINAMICS DCM can only be retrofitted with option S50 in the manufacturers factory.

Note

You can find detailed information on interconnecting, dimensioning and parameterizing in the application document "12-pulse applications". Support is also available through our Technical Support organization (for contact address, see the Preface).

In certain applications, it is necessary to switch between 12-pulse parallel connection and 12-pulse series connection during operation by means of a command.

External contactors must be used to switch over the power unit topology. Option S50 provides the required firmware functionality.

Requirements for using this functionality

- All participating SINAMICS DCM units must be equipped with option S50
- "n+m" operation is not permissible
- The "parallel switching master" function must remain at the same SINAMICS DCM for both power unit topologies

10.28 Field reversal

see also the SINAMICS DCM List Manual, function diagram 6920

When using a two-quadrant unit (with only one armature current flow direction) by reversing the current in the excitation winding of the DC motor (field reversal) operation in additional quadrants of the speed-torque characteristic is possible (direction of rotation reversal and braking).

Two contactors are required in the field circuit to reverse the field voltage.

The functions "Direction of rotation reversal using field reversal" and "Braking using field reversal" control connector outputs r53195[0] (close field contactor 1) and r53195[1] (close field contactor 2), which are then used to control the two field contactors.

A protection circuit is required in the field circuit.

r53195[0]	= 0	No contactor control
	= 1	Control for a contactor to switch-in the positive field direction
r53195[1]	= 0	No contactor control
	= 1	Control for a contactor to switch-in the negative field direction

10.28.1 Direction of rotation reversal using field reversal

The function "Direction of rotation reversal using field reversal" is controlled via the connector input selected with p50580 - and this has a switch function. It defines the field direction and therefore also the direction of rotation for a positive speed setpoint.

Connector input = 0	A positive field direction is selected. "Close field contactor 1" (r53195[0]) = 1, "Close field contactor 2" (r53195[1]) = 0
Connector input = 1	A negative field direction is selected. "Close field contactor 1" (r53195[0]) = 0, "Close field contactor 2" (r53195[1]) = 1

Changing the logical level of the connector input controlling the function "Direction of rotation reversal using field reversal " brakes the drive and accelerates it in the opposite direction of rotation.

Field reversal is completely executed. Level changes at the connector input have no effect while the field is being reversed.

Note

Only positive speed setpoints make sense.

Control sequence when specifying "Direction of rotation using field reversal":

1. Drive rotates in direction of rotation 1 (or is at a standstill)
2. Specify "Direction of rotation reversal using field reversal" by changing the logical state of the connector input selected using p50580
3. Field reversal is executed
Precondition: No braking was initiated using the button function "Braking using field reversal"
 - Wait until armature current $I_A = 0$, then armature pulse inhibit (the drive then remains in operating state $\geq o1.4$)
 - Inhibit field firing pulses ($r52268=0$ also initiates this)
 - Wait until $I_{field} (r52265) < I_{field\ min} (p50394)$
 - Wait time according to p50092[00] (0.0 to 10.0 s, factory setting 3.0 s)
 - Open actual field contactor ($r53195.0 = 0$ or $r53195[1] = 0$)
 - Wait time according to p50092[01] (0.0 to 10.0 s, factory setting 0.2 s)
 - Control new field contactor ($r53195.1 = 1$ or $r53195[0] = 1$)
 - Reverse the speed actual value (with the exception, for p50083 = 3 ... EMF as speed actual value)
 - Wait time according to p50092[02] (0.0 to 10.0 s, factory setting 0.1 s)
 - Enable field firing pulses
 - Wait until $I_{field} (r52265) > I_{field\ set} (r52268)*p50398$
 - Wait time according to p50092[03] (0.0 to 10.0 s, factory setting 3.0 s)
 - Enable armature firing pulses (operating state o1.4 can be exited)
4. Drive brakes and then rotates in direction of rotation 2 (or is at a standstill)

Note

In the case of an internal speed actual value reversal as a result of field reversal, p50083 is supplied with inverted signal values (exception: p50083 = 3, see the SINAMICS DCM List Manual, function diagram 6810).

When using the ramp-function generator it is recommended to parameterize p50228 = 0 (no speed controller setpoint filtering). If this is not done, then initial braking can occur at the current limit as a result of the speed actual value reversal and setting the ramp-function generator output to the (reversed) speed actual value or to the value according to p50639 in operating state o1.4.

10.28.2 Braking using field reversal

The function "Braking using field reversal" is controlled using the signal source set at binector input p50581 and this has a button-type function.

Binector input = 1 (for ≥ 30 ms) in operating state ≤ 5 (line contactor closed) causes the drive to brake to $n < n_{\min}$. After this, the original field direction is selected. The motor can accelerate in the original direction of rotation after the braking command has been withdrawn (binector input = 0) and acknowledging using "Stop" and "Switch-on".

Control sequence when specifying "Braking using field reversal":

1. Drive rotates with direction of rotation 1
2. Specify "Braking using field reversal" using log. 1 (for ≥ 30 ms) at the binector input selected using p50581
3. The field is reversed.

Preconditions: Line contactor is closed (for operating state ≤ 5) and the drive is already braking anyway.

Braking is identified by the negative internal actual speed (whereby, this is obtained in the negative field direction by reversing the real actual speed):

 - Wait until armature current $I_A = 0$, then armature pulse inhibit (the drive then remains in operating state ≥ 1.4)
 - Inhibit field firing pulses (r52268=0 also initiates this)
 - Wait until $I_{\text{field}} (r52265) < I_{\text{field min}} (p50394)$
 - Wait time according to p50092[00] (0.0 to 10.0 s, factory setting 3.0 s)
 - Open actual field contactor (r53195[0] = 0 or r53195[1] = 0)
 - Wait time according to p50092[01] (0.0 to 10.0 s, factory setting 0.2 s)
 - Control new field contactor (r53195[1] = 1 or r53195[0] = 1)
 - Reverse the speed actual value (with the exception, for p50083 = 3 ... EMF as speed actual value)
 - Wait time according to p50092[02] (0.0 to 10.0 s, factory setting 0.1 s)
 - Enable field firing pulses
 - Wait until $I_{\text{field}} (r52265) > I_{\text{field set}} (r52268) \times p50398$
 - Wait time according to p50092[03] (0.0 to 10.0 s, factory setting 3.0 s)
 - Enable armature firing pulses (operating state ≥ 1.4 can be exited)
4. Sequence when braking the drive:
 - $n_{\text{set}} = 0$ internally entered at the ramp-function generator input, the drive brakes
 - Wait until $n < n_{\min}$ (p50370)
 - Wait until armature current $I_A = 0$, then armature pulse inhibit (drive goes into operating state ≥ 7.2)
 - Wait until the braking command has been withdrawn using binector level = 0 (as long as level = 1 is present, the drive is kept in operating state ≥ 7.2)

5. Sequence to change over to the original field direction

Precondition: The present field direction does not match the field direction requested using the function "Direction of rotation reversal using field reversal"

- Wait until armature current $I_A = 0$, then armature pulse inhibit (the drive then remains in operating state $\geq o1.4$)
- Inhibit field firing pulses ($r52268=0$ also initiates this)
- Wait until $I_{field} (r52265) < I_{field\ min} (p50394)$
- Wait time according to $p50092[00]$ (0.0 to 10.0 s, factory setting 3.0 s)
- Open actual field contactor ($r53195[0] = 0$ or $r53195[1] = 0$)
- Wait time according to $p50092[01]$ (0.0 to 10.0 s, factory setting 0.2 s)
- Control new field contactor ($r53195[1] = 1$ or $r53195[0] = 1$)
- Reverse the speed actual value (with the exception, for $p50083 = 3$... EMF as speed actual value)
- Wait time according to $p50092[02]$ (0.0 to 10.0 s, factory setting 0.1 s)
- Enable field firing pulses
- Wait until $I_{field} (r52265) > I_{field\ set} (r52268 \times p50398)$
- Wait time according to $p50092[04]$ (0.0 to 10.0 s, factory setting 3.0 s)
- Armature firing pulses are again possible

6. The drive is in operating state $o7.2$

Acceleration is possible in the original direction of rotation when acknowledging using an external "Stop" and "Switch-on".

Please also read the note at the end of the chapter "Direction of rotation reversal using field reversal"

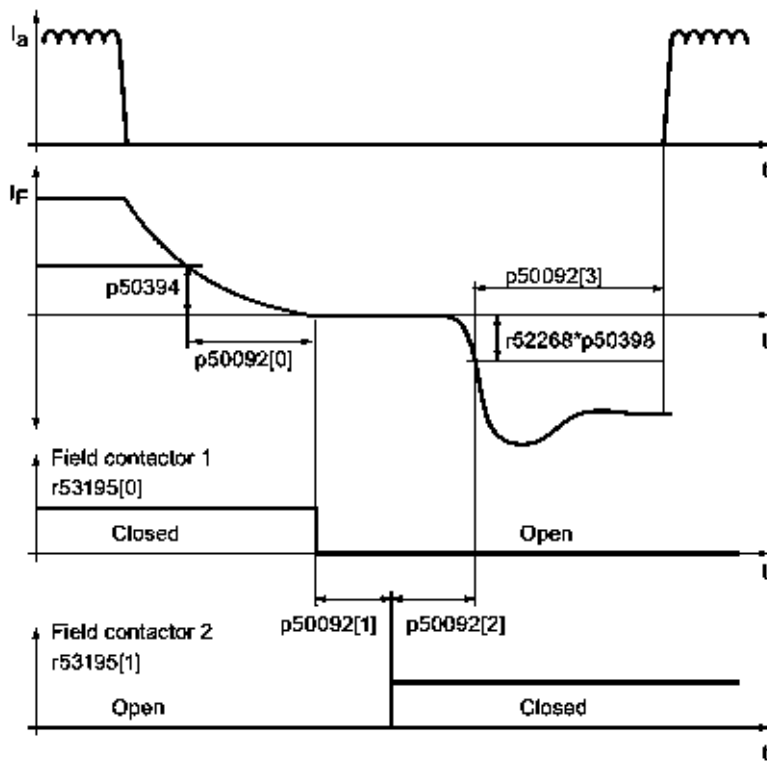


Figure 10-88 Wait times for field reversal (parameter p50092)

10.29 Serial interface with peer-to-peer protocol

General information

The peer-to-peer interface enables BICO interconnections across several SINAMICS DCMs, as well as allowing the peer-to-peer interface to establish signal connections between converters in the SINAMICS DC MASTER range (MLFB = 6RA80...) and converters in other ranges, such as SIMOREG DC-MASTER (MLFB = 6RA70...) and SIMOREG K (MLFB = 6RA24...).

Properties

A "peer-to-peer connection" refers to "a connection between partners with equal status". Unlike the classic master-slave bus systems (such as PROFIBUS or USS), peer-to-peer connections enable the same converter to act as both a master (setpoint source) and a slave (setpoint recipient).

Signals can be transferred via the peer-to-peer connection from one converter to another in fully digital format.

- **Velocity setpoints** for creating a setpoint cascade, e.g. in paper making machines, film manufacturing machines, and wire drawing machines, as well as fiber stretching plants
- **Torque setpoints** for load distribution control systems on drives that are coupled either mechanically or by means of the material, e.g. horizontal-shaft drives on a printing machine or S-roll drives
- **Acceleration setpoints (dv/dt)** for acceleration precontrol in multi-motor drives
- **Control commands**

The peer-to-peer interface uses the RS485 interface at connector X177 (terminals 37, 38, 39, and 40).

Function diagrams

Function diagram FP9300 shows the settings and BICO interconnection options for the "peer-to-peer connection".

Diagnostics

Parameter r50799 contains information about the distribution of error-free telegrams and telegrams with errors over time, as well as the type of any communications errors that occur.

Topologies

The peer-to-peer interface supports two topologies:

- Point-to-point connection (see the series connection example further down)
 - 4-wire connection between two converters
 - Data transmission in both directions
- Bus connection (see the bus connection example further down)
 - 2-wire connection between multiple converters
 - Data transmission in one direction only
 - The active sender is selected by means of the "Send enable" signal selected using p50817. The send enable may only be at the "High" level for one converter in each case. Converters whose send enable is at the "Low" level switch their sender to high resistance.

Parameterization

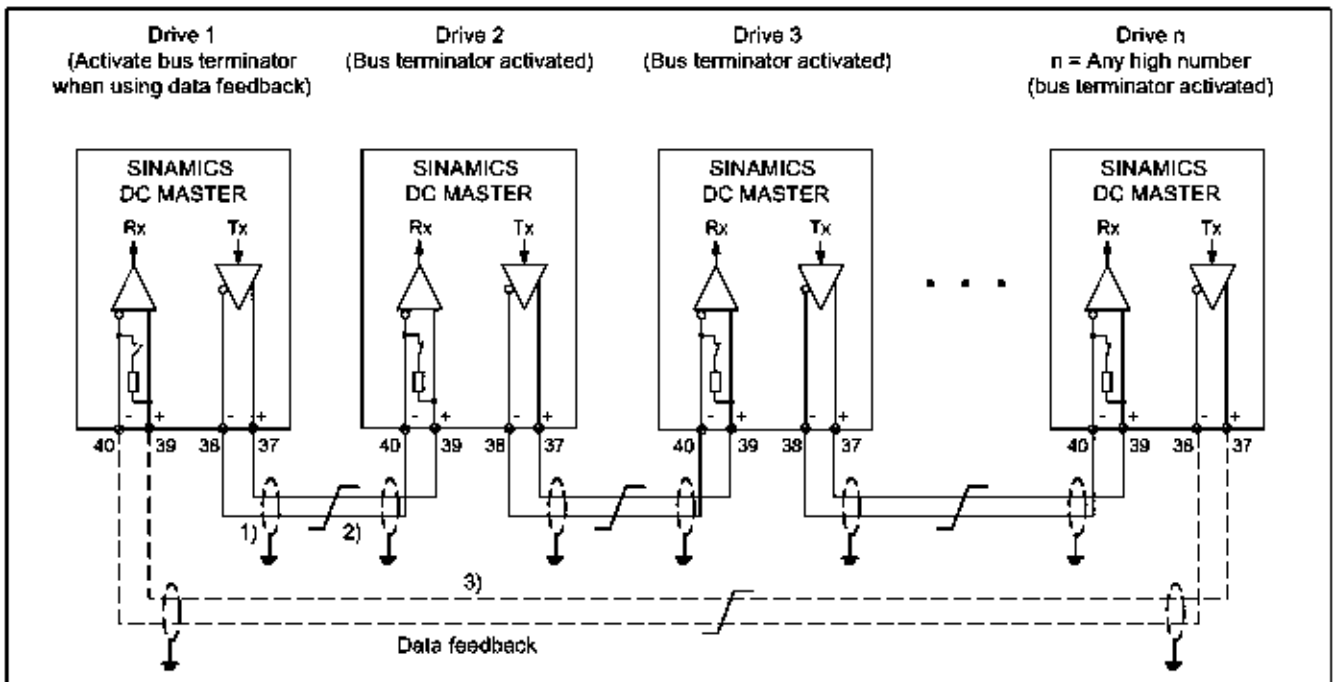
Table 10- 54 Parameterizing the peer-to-peer interface

Function	Parameter
Peer-to-peer protocol selection	p50790 = 5
PZD number	p50791 = 1 to 5 words
Baud rate	p50793 = 1 to 13, corresponding to between 300 and 187,500 baud
Bus terminator	p50795 = 0: Bus terminator OFF p50795 = 1: Bus terminator ON
Error statistics	r50799[1]: Displays receive errors on the peer-to-peer interface

10.29.1 Examples of peer-to-peer connections

Series connection

Each drive receives its own individual setpoint from the previous drive (classic setpoint cascade).

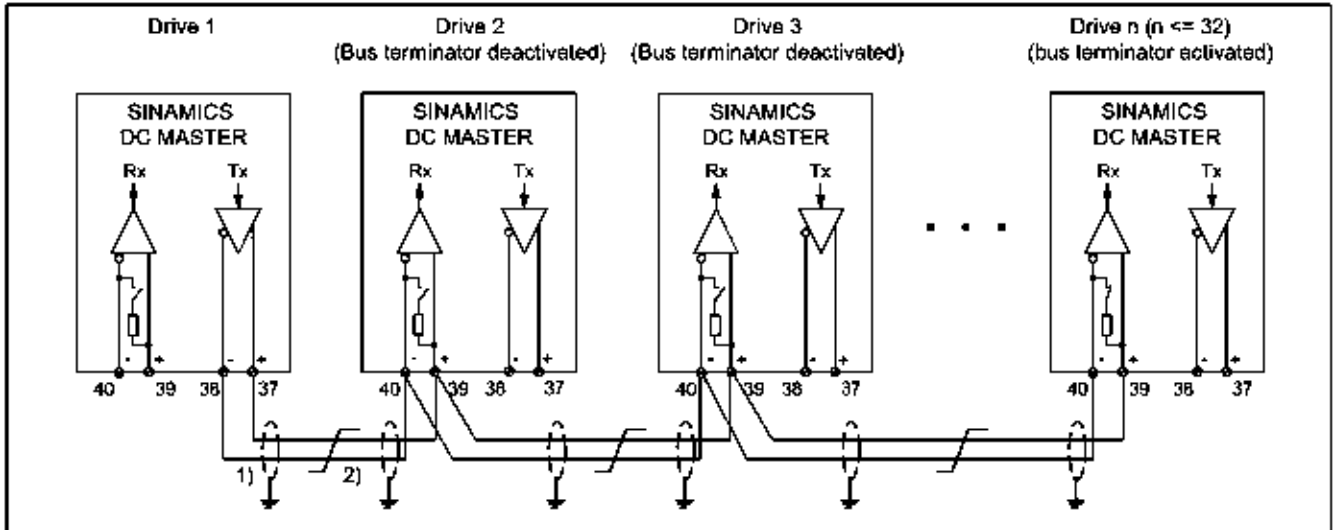


- 1) The shields for the interface cables must be connected directly on the devices (using a clamp, for example) to device or cabinet ground, with a low level of impedance.
- 2) Twisted cable, e.g. LIYCY 2×0.5 mm²; with longer cables, an equipotential bonding cable should be used to ensure that the difference in ground potentials between the link partners remains below 7 V.
- 3) Optional data feedback, which drive 1 can use to monitor the functionality of the entire peer chain

Figure 10-89 "Series connection" peer connection type

Parallel connection

Up to 31 drives receive the same setpoints from drive 1.

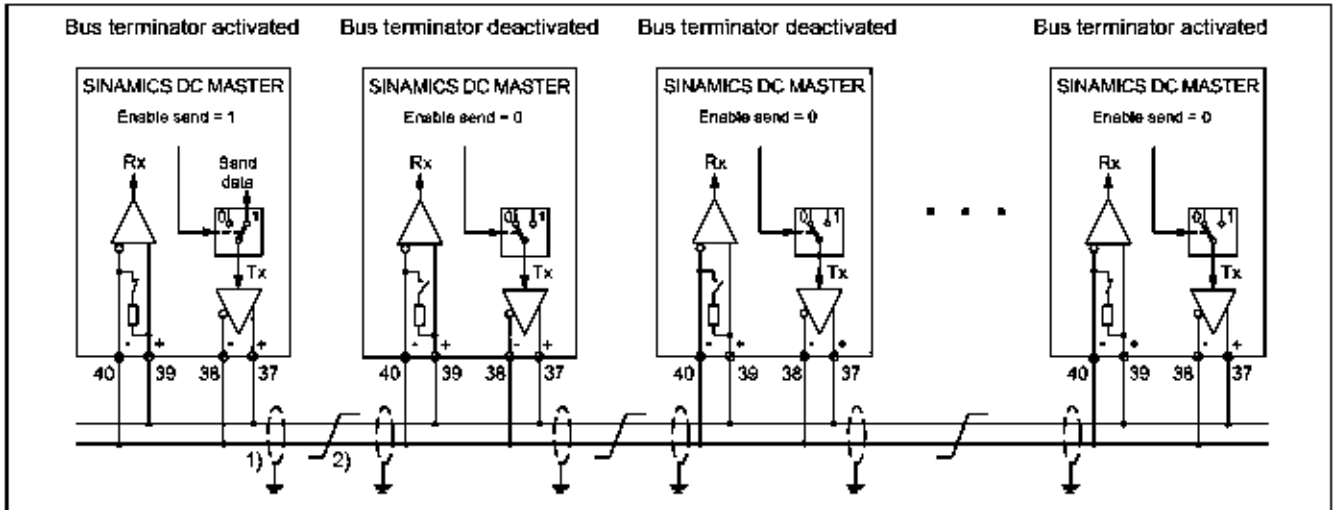


- 1) The shields for the interface cables must be connected directly on the devices (using a clamp, for example) to device or cabinet ground, with a low level of impedance.
- 2) Twisted cable, e.g. LIYCY 2x0.5 mm²; with longer cables, an equipotential bonding cable should be used to ensure that the difference in ground potentials between the link partners remains below 7 V.

Figure 10-90 "Parallel connection" peer connection type

Bus connection

Up to 31 drives receive the same setpoints from a drive. The drive that sends the setpoints must be selected by setting "Enable send" to 1. For all other drives, "Enable send" must be set to 0.



- 1) The shields for the interface cables must be connected directly on the devices (using a clamp, for example) to device or cabinet ground, with a low level of impedance.
- 2) Twisted cable, e.g. LIYCY 2×0.5 mm²; with longer cables, an equipotential bonding cable should be used to ensure that the difference in ground potentials between the link partners remains below 7 V.

Figure 10-91 "Bus connection" peer connection type

10.30 Expanding the SINAMICS DCM to include a second CUD

General information

As an option, the SINAMICS DC MASTER can be equipped with a second CUD by inserting it in the right-hand slot. This option is only available in conjunction with option G00 (Advanced CUD in left-hand slot). See also Chapter "Ordering information for options and accessories".

For the installation of the second CUD, see

Chapters Installing a second CUD (Page 90) and Replacing the CUD (Page 667).

NOTICE

Installing or removing a module is only permitted when the SINAMICS DC MASTER is in the voltage-free state.

Properties

The right-hand CUD is used for system-specific extension of the SINAMICS DC MASTER functions.

It enables the following function extensions:

- Doubling the number of hardware inputs and outputs for applications requiring more analog inputs, analog outputs, digital inputs, or digital outputs
- Additional computing capacity for free function blocks and, above all, for application-specific function diagrams generated using DCC

Connection between the left-hand and right-hand CUD:

16 BICO connections can be established in each direction.

This involves using the parallel-connection interface. Function diagrams FP9350, FP9352, and FP9355 show the settings and BICO interconnection options for the parallel-connection interface.

The hardware connection for the two CUDs is established inside the unit; there is no need for an external connection using connector X165 or X166. It is also possible to use the parallel-connection interface for controlling a power unit-side configuration in which several SINAMICS DC MASTER units are connected in parallel.

Parameter assignment

The parameters for the right-hand CUD are assigned using the AOP30 or the STARTER commissioning tool. The Basic Operator Panel BOP20 cannot be used for this purpose.

- Assigning parameters for the right-hand CUD using the AOP30:
The AOP30 must be connected to connector X178 (RS485 interface) or X179 (RS232 interface) on the right-hand CUD.
- Assigning parameters for the right-hand CUD using STARTER:
STARTER views the right-hand CUD as a separate PROFIBUS node.

10.30 Expanding the SINAMICS DCM to include a second CUD

Either the unique bus address must be set using the AOP30, or STARTER must first be connected as the sole bus node in order to set the unique bus address.

The second CUD must be parameterized as an "independent node" for the parallel-connection interface, meaning that it participates in BICO exchange between multiple CUDs.

Table 10- 55 Assigning parameters in cases where several SINAMICS DC MASTER units are not connected in parallel at the power unit side

Left-hand CUD		Right-hand CUD	
p51800 = 1	Independent node	p51800 = 1	Independent node
p51801	Number of words to be sent	p51801	Number of words to be sent
p51802 = 2	Minimum number of stations	p51802 = 2	Minimum number of stations
p51803 = 0	"n+m mode" not active	p51803 = 0	"n+m mode" not active
p51804[...]	Establish required BICO connections	p51804[...]	Establish required BICO connections
p51805 = 1	Bus terminator	p51805 = 1	Bus terminator
p51806 =	Unique station address	p51806 =	Unique station address

Table 10- 56 Assigning parameters in cases where several SINAMICS DC MASTER units are connected in parallel at the power unit side

Left-hand CUD		Right-hand CUD	
p51800	Required as with parallel connection of power units	p51800 = 1	Independent node
p51801	Number of words to be sent	p51801	Number of words to be sent
p51802	Required as with parallel connection of power units	p51802	Required as with parallel connection of power units
p51803	Required as with parallel connection of power units	p51803 = 0	"n+m mode" not active
p51804[...]	Establish required BICO connections	p51804[...]	Establish required BICO connections
p51805	Required as with parallel connection of power units	p51805 = 0	No bus terminator
p51806 =	Unique station address	p51806 =	Unique station address

Normally, on the CUD on the right-hand slot the closed-loop drive control (setpoint processing, ramp-function generator, closed-loop speed control, armature-current control, closed-loop EMF control, closed-loop field-current control) is not required.

For that reason it makes sense to deactivate the closed-loop drive control (with p50899[0..6] = 0, see also function diagram 1721) in order to gain more CPU time for free function blocks and, especially, for application-specific function diagrams created with DCC.

10.31 Terminal Module Cabinet TMC (option G63)

The Terminal Module Cabinet (TMC) enables the simple connection of the CUD standard signals (X177) via spring-loaded terminals in an easily accessible area of the control cabinet.

See Chapter Ordering information for options and accessories (Page 30) for ordering data.

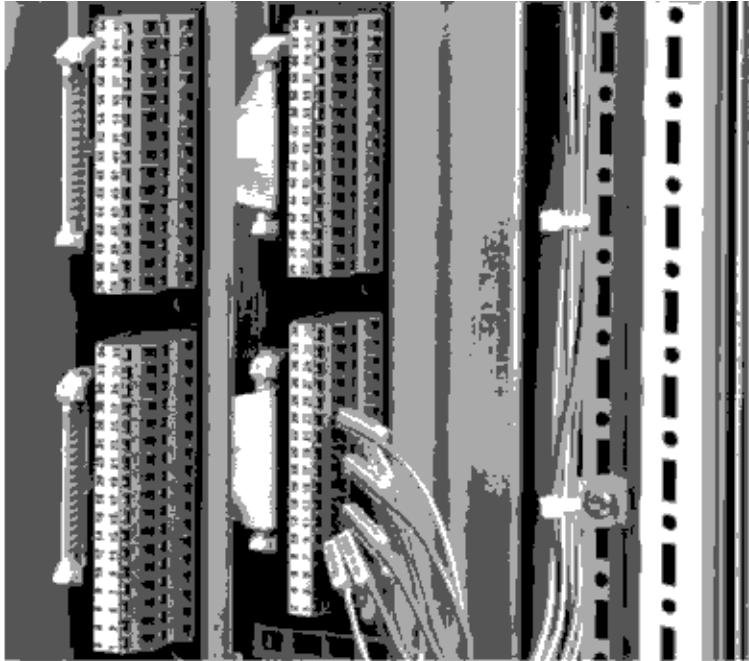


Figure 10-92 Terminal Module Cabinet

The CUD is equipped with a "Cabinet Board".

During installation, connectors X1 and X2 on the adapter board must be connected to connectors X1 and X2 on the TMC with the supplied cables (3 m). The cables must be laid in a cable duct.

For terminal assignment, see Chapter Assignment of terminals and connectors (Page 168).

10.32 Runtime (operating hours counter)

Total system runtime

The total system runtime is displayed in r2114 (Control Unit).

- Index 0 = System runtime in ms.
After reaching 86400000 ms (24 h), the value is reset.
- Index 1 = System runtime in days.
The counter value is saved at switch off. After the drive unit is powered up, the counter continues to run with the most recently saved value.

Note

Errors and alarms are stamped with this system runtime.

If a connected AOP30 is parameterized as the time-of-day master (see Chapter 9, "Assigning parameters to AOP30 as the time-of-day master"), faults and alarms are provided with a real-time stamp.

Relative system runtime

The relative system runtime since the last POWER ON is displayed in p0969 (Control Unit) in ms. The counter runs over after 49 days.

10.33 Diagnostics

10.33.1 Diagnostic memory

To provide support for troubleshooting and remedying problems, the SINAMICS DC MASTER records various types of data in a diagnostics file. Siemens specialists can use the contents of this file to glean more in-depth information about the cause of inexplicable faults or other problems such as blown fuses or defective thyristors.

When contacting Siemens with queries related to problems of this type, it is, therefore, advisable that you both read out this file and e-mail a copy of it to Siemens experts.

With parallel or series connection, the diagnostics files of **all** devices must always be read out and sent to the Siemens experts.

Proceed as follows to read out the diagnostics file:

1. Insert the memory card in the drive.
2. Set p50832 to 1:
This copies the diagnostics file to the memory card. A process which takes approximately two minutes. Copying is complete when p50832 takes on the value 0 again.
3. The diagnostics file is called **DiagStor.spd**, is approx. 600 KB in size, and can be found in the **\USER\SINAMICS\DATA\LOG** directory on the memory card.

For more details on the diagnostic memory, please refer to function diagram FP8052.

10.33.2 Trend recorder function

The SINAMICS DC MASTER enables data from 4 channels to be recorded over an extended period, with a large memory depth. A file on the Memory card takes on the role of a long-term storage facility. The signals to be recorded are updated periodically and written cyclically to the file.

The file contains a line-by-line account of the operating hour and values for the 4 channels, in the form of an ASCII string, and can be evaluated and visualized using standard PC tools such as Notepad or Excel.

Recording must be started manually (by setting p51705 = 0/1/2). With a recording period of 1 second, the file grows by approximately 100 kB per hour.

When starting via p51705 = 1, recording is automatically stopped after the number of entries set at p51706 – and p51705 is set to 0.

When starting via p51705 = 2, the oldest entries are overwritten after the number of entries set on p51706. Recording must be stopped manually (with p51705 = 0).

The file is called **Track.csv** and can be found in the **\USER\SINAMICS\DATA\LOG** directory on the Memory card.

For more details on the trend recorder function, please refer to function diagram FP8050.

10.33.3 Thyristor diagnostics

SINAMICS DCM can perform a self-test of its own power unit. As a consequence, defective thyristors and other faults can be detected in the power unit.

Note 1:

Thyristor diagnostics cannot be used when SINAMICS DCMs are connected in series.

Note 2:

In parallel connections of SINAMICS DCMs (6-pulse or 12-pulse), the thyristor diagnostics must only be selected on the master. The thyristor diagnostics are then performed first on the master and then automatically in succession on all slaves. If a faulty thyristor is detected on a SINAMICS DCM, the appropriate fault message is issued on this SINAMICS DCM and not on the master on which the thyristor diagnostics was started.

Note 3:

If a thyristor is fused, in 6-pulse parallel connection it is not possible to identify in which of the parallel devices the defective thyristor is located. The corresponding fault message occurs on the master.

Selecting thyristor diagnostics:

Thyristor diagnostics are performed during the switch-on procedure. Parameter p50830 can be used to select for which switch-on procedures thyristor diagnostics is performed.

p50830 = 0 never
= 1 at the first ON after switching-on the electronics
= 2 at each ON
= 3 at the next ON (p50830 is then reset to 0)

Thyristor diagnostics sequence:


At each switch-on procedure, starting from operating state o7 the drive goes into state o0. During thyristor diagnostics, it remains in operating state o3 (see parameter r50000). Thyristor diagnostics takes approx. 30 s.

Thyristor diagnostics comprises two parts:

1. **Checking the thyristor for its blocking capability**

All thyristors are individually fired and it is not permissible that current flows. If it does, this indicates that a thyristor is fused or it triggers with forward breakover or a ground fault has occurred, i.e. terminal 1C or 1D is connected to ground.

NOTICE
Ground leakage circuit breaker In IT systems (i.e. in systems with an ungrounded neutral point of the supply transformer), the thyristor diagnostics cannot detect a single-pole ground fault. For these types of line supply, it is recommended that a ground fault monitor is used.

 WARNING
Impermissible operation with ground fault The type and location of the fault cannot be established just from a ground fault error message. In the event of continued operation, serious aftereffects all the way to electric arcs are possible. This can result in death, serious injury or material damage. If a ground fault occurs during operation, the system must be switched off immediately. Then identify and eliminate the source of the ground fault. The plant operating company is responsible for the consequences for further operation after a ground fault has been detected. Carry out a risk analysis.

2. **Checking that the thyristors can be triggered**

All of the thyristors are triggered in pairs and in this case, a current must flow (as a minimum, 5% of r50072[1]). Otherwise, a thyristor cannot be triggered. This can also be caused by a fault in the firing pulse generation.

NOTICE
Possible rotation of the motor shaft. The low current that flows during this test can cause the motor to briefly rotate for motors that are very easy to move and are not loaded, as in this operating state, the full field is already present.

Faults that are detected result in fault message F60061. The fault value provides information as to which thyristor was detected to be defective and what the possible cause of the fault could be.

10.33.4 Description of the LEDs on the CUD

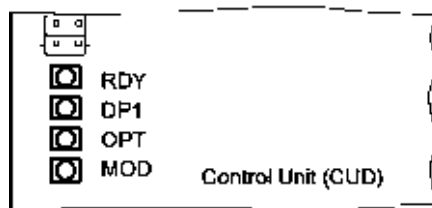


Figure 10-93 Layout of the LEDs

The individual states during ramp-up are indicated by means of the LEDs on the CUD.

- The duration of the individual states varies.
- If an error occurs, the ramp-up procedure is aborted and the cause of the error is indicated via the LEDs.
Remedy: Insert the appropriate memory card with the correct software and parameters.
- Once the unit has successfully ramped up, all the LEDs are switched off briefly.
- Once the unit has ramped up, the LEDs are controlled via the loaded software.

The description of the LEDs after ramp-up applies.

Note

The LEDs can only be seen when the front cover of the SINAMICS DC MASTER is opened.

CUD - Response of LEDs during a software update

Table 10- 57 Software update

LED				Meaning
RDY	DP1	OPT	MOD	
Red	Off	Off	Off	Software being updated.
Red 2 Hz	Red	Off	Off	Software on the memory card is incomplete or defective. The software was not successfully updated. The CRC of the programmed firmware is incorrect.
Red 0.5 Hz	Red 0.5 Hz	Off	Off	Software was successfully updated. The electronic power supply must be switched off and back on again.
Red 2 Hz	Red 2 Hz	Off	Off	The software on the memory card does not belong to SINAMICS DCM. Software version and hardware version of the CUD are not compatible. For information on the hardware/software compatibility, see Chapter Upgrading the unit software (Page 653).
Orange 0.5 Hz	x	x	Off	DRIVE-CLiQ component being updated.
Orange 2 Hz	x	x	Off	DRIVE-CLiQ component has been updated.

CUD - Response of LEDs during ramp-up (following Power On)

Table 10- 58 Ramp-up

LED				State	Remark
RDY	DP1	OPT	MOD		
Red	Red	Off	Off	BIOS loaded	-
Red 2 Hz	Red	Off	Off	BIOS error	-
Red 2 Hz	Red 2 Hz	Off	Off	File error	Memory card not present or flash file system faulty
Red	Orange flashing	Off	Off	Firmware loading	DP1 flashing without specific flashing frequency
Red	Off	Off	Off	Firmware loaded	-
Off	Red	Off	Off	No CRC error	Firmware checked
Red 0.5 Hz	Red 0.5 Hz	Off	Off	CRC error	Firmware checked, CRC error
Orange	Off	Off	Off	Drive initialization	-

Response of the LEDs after ramp-up

Table 10- 59 CUD - Description of the LEDs after ramp-up

LED	Color	State	Description, cause	Remedy
RDY (READY)	-	Off	Electronic power supply is missing or outside permissible tolerance range.	Check power supply
	Green	Continuous light	The component is ready for operation. No errors are present.	-
		0.5 Hz flashing light	Commissioning/reset	-
		2 Hz flashing light	Writing to memory card or internal flash memory Notice! The electronic power supply for the SINAMICS DC MASTER must not be switched off during this write process. Switching off the electronic power supply can lead to the loss of the parameter assignments. Also refer to Chapter "Operation", Section "Memory card functions".	-
	Red	2 Hz flashing light	General errors	Check parameterization/configuration
	Orange	0.5 Hz flashing light	Updating the firmware of the connected DRIVE-CLiQ components	-
2 Hz flashing light		DRIVE-CLiQ component firmware update complete. Wait for POWER ON for the respective components.	Carry out POWER ON for the respective components	

LED	Color	State	Description, cause	Remedy
	Green/ orange or red/ orange	1 Hz flash- ing light	Component detection via LED is activated (p0124[0]). Note: Both options depend on the LED state when component detection is activated via p0124[0] = 1.	-
DP1 PROFIdrive cyclic opera- tion	-	Off	Cyclic communication has not (yet) taken place. Note: The PROFIdrive is ready to communicate when the CUD is ready for operation (see LED RDY).	-
	Green	Continuous light	Cyclic communication is taking place.	-
		0.5 Hz flashing light	Bus fault (dataEx, no operate) Full cyclic communication is not yet taking place. Possible cause: The controller is not transferring any setpoints.	-
	Red	Continuous light	USS: No activity on bus	
		0.5 Hz flashing light	USS: Activity on bus; no PZD received	
			Bus fault (no dataEx)(config fault)	-
		2 Hz flash- ing light	Bus fault (no more dataEx)	-
Bus fault (search baud rate)				
		No link established	-	
OPT (OPTION)	-	Off	Electronic power supply is missing or outside permissible tolerance range, component not ready for operation, Option Board not installed, no associated drive object has been created,	Check power supply and/or component
	Green	Continuous light	Option Board is ready for operation.	-
		0.5 Hz flashing light	Depends on the Option Board used	-
	Red	2 Hz flash- ing light	At least one fault is present in this component. Option board not ready (e.g. after switching on)	Remedy and acknowledge fault
RDY and DP1	Red	2 Hz flash- ing light	Bus fault – communication has been interrupted	Correct fault
RDY and OPT	Orange	0.5 Hz flashing light	Firmware update in progress for connected Option Board CBE20	-
MOD	-	Off	Reserved	-

10.33.5 Diagnostics via STARTER

The diagnostic functions support commissioning and service personnel during commissioning, troubleshooting, diagnostics and service activities.

Requirement

- Online operation of the STARTER commissioning tool.

Diagnostic functions

The following diagnostic functions are available in the STARTER commissioning tool:

- Specification of signals with the ramp-function generator
- Signal recording with the trace function
- Analysis of the control response with the measuring function

10.33.5.1 Function generator

The function generator is part of the STARTER commissioning tool.

The function generator can be used, for example, to perform the following tasks:

- Measuring and optimizing control loops.
- Comparing the dynamic response of coupled drives.
- Specifying a simple traversing profile without a traversing program.

The function generator can be used to generate various waveforms.

In the "Connector output" operating mode (r4818), the output signal can be injected into the control loop via the BICO interconnection.

Properties

- The following freely parameterizable waveforms can be set:
 - Square-wave
 - Staircase
 - Triangular
 - Sinusoidal
 - PRBS (pseudo random binary signal, white noise)
- An offset is possible for each signal. The power-up to the offset can be parameterized. The signal generation starts after the power-up to the offset.
- Limitation of the output signal to the minimum and maximum value can be set.

Further waveforms

Additional waveforms can be generated.

Example:

The "triangular" waveform can be parameterized with "Upper limit" to produce a triangle with no peak.



Figure 10-94 "Triangular" without peak waveform

Parameterizing and operating the function generator

You operate and parameterize the function generator via STARTER.

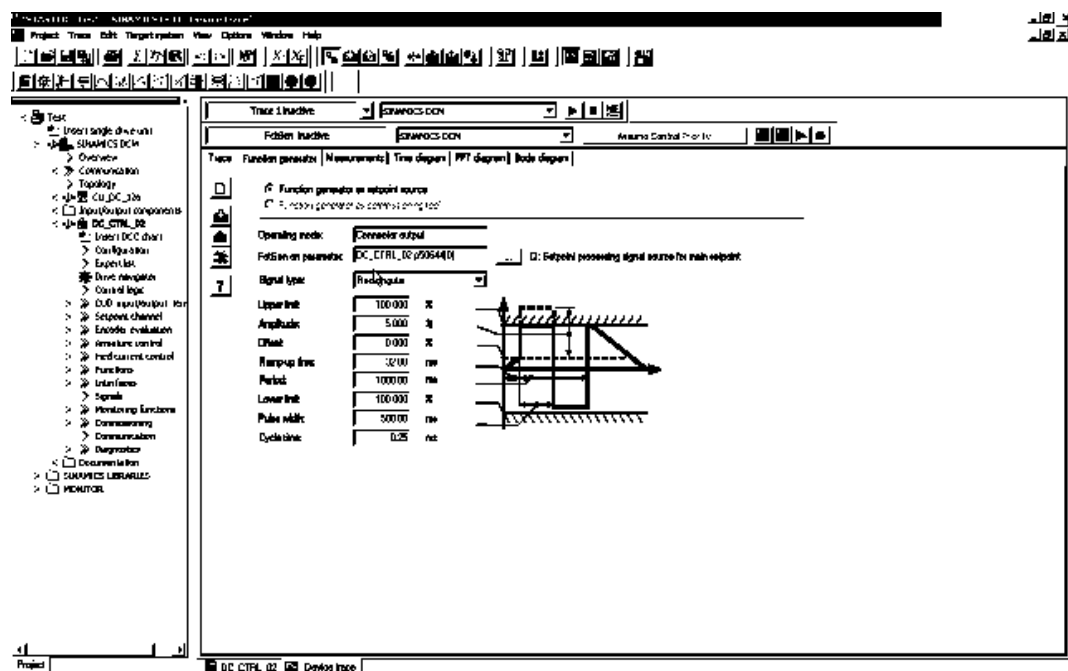


Figure 10-95 Function generator

Note

Please refer to the online help for more information about parameterization and operation.

Note

The "Function generator as commissioning tool" button must not be selected!

If this button is still selected, then the message "Error occurred while parameterizing" is output on STARTER when "Loading the parameterization to the drive" as well as alarm A02007 (Function generator: Drive not SERVO/VECTOR) on the SINAMICS DCM.

Starting/stopping the function generator



 **WARNING**

Danger due to hazardous axis movement


With the corresponding ramp-function generator parameter settings (e.g. offset), the motor can "drift" and travel to its end stop.

The motion of the drive is not monitored with the function generator activated.


Starting the function generator:

1. Load the function generator.
 - Click the  symbol.
 - or
 - In the project navigator, double-click "Drives" > "Drive_xy" > "Commissioning" > "Function generator".
2. Select "Function generator as setpoint source".
3. Select the BICO input.
4. Set the waveform, for example, "Square-wave".
5. Click the "Assume control priority!" button.
6. For "Sign of life monitoring", click the "Accept" button (the control priority button then changes to yellow).
7. Click the  "Drive on" symbol.
8. Start the function generator by clicking the triangle next to the red zero ("Start FctGen" button).
9. Read the "Caution" note and confirm with "Yes".
The drive starts and runs through the set trace function.
Trace recordings are now possible.

Stopping the function generator:

1. Click the "Stop FctGen" button.
 - or
2. Click the  "Drive off" symbol to stop the drive.

Parameterization

The "Function generator" parameterization screen is selected with the  symbol in the toolbar of the STARTER commissioning tool.

10.33.5.2 Trace function

Single trace

You can use the trace function to record measured values over a defined period, depending on trigger conditions. Alternatively, the measured values can also be recorded using immediate recording.

In the STARTER commissioning tool you can parameterize the trace function by using the "Trace" parameterizing screen form.

Calling the "Trace" parameterizing screen form

In the STARTER commissioning tool, click the  symbol (device trace-function generator).

The "Trace" parameterizing screen form is then displayed.

Example:

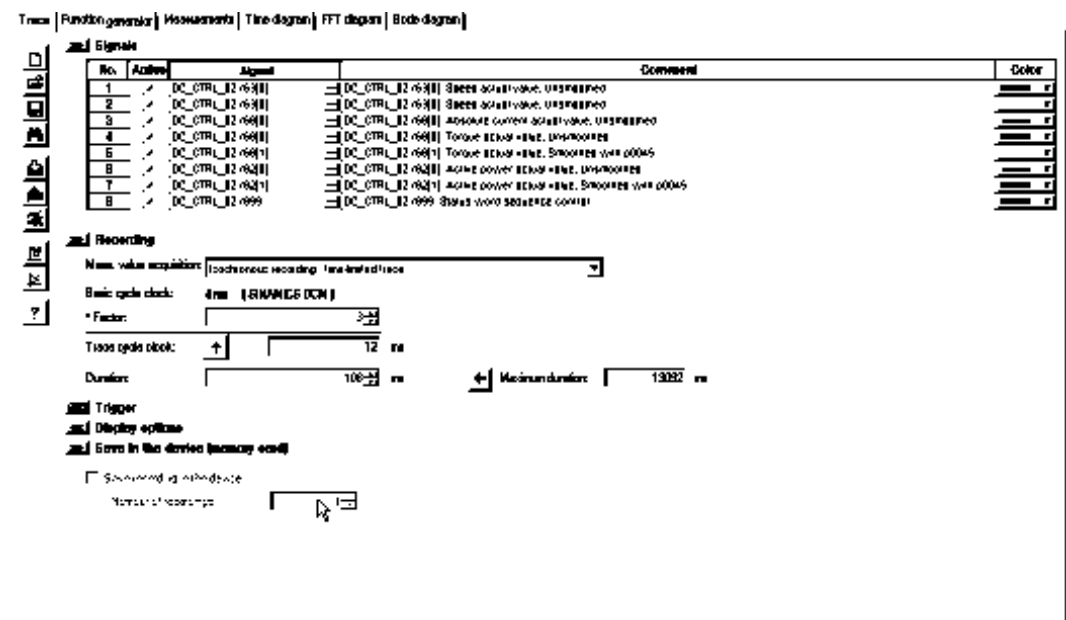


Figure 10-96 Trace function

Parameterizing and operating the trace function

Note

Detailed information on how to parameterize and operate the trace function is available in the STARTER online help in Chapter "Trace, measuring functions and automatic controller setting".

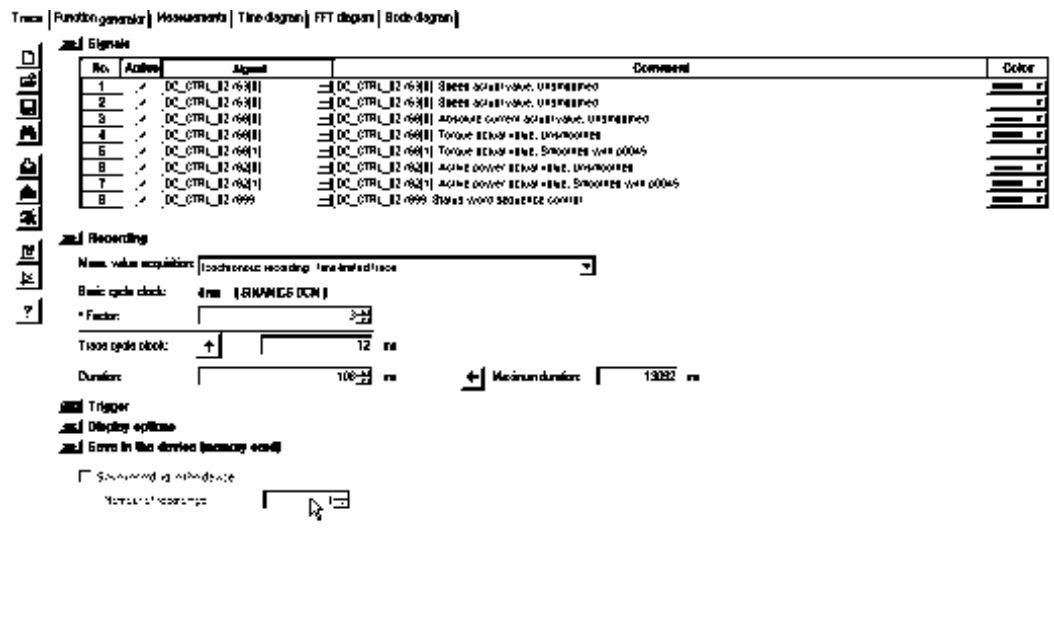


Figure 10-97 Trace function

The device cycle time display flashes 3 times at around 1 Hz when the time slice is changed from < 4 ms to ≥ 4 ms (see description at "Properties"). The display also flashes in the inverse direction from ≥ 4 ms to < 4 ms.

Properties

- Two independent traces
- Up to eight recording channels for each trace
 - When more than four channels per single trace are used, the trace's device clock cycle is switched automatically from 0.250 ms to 4 ms. As a consequence, the performance of the SINAMICS DCM is not influenced too strongly by the trace function.
- Single trace:
 - Device clock cycles of the SINAMICS DCM trace
 - Up to four channels: 0.250 ms
 - ≥ five channels: 4 ms
 - The specified trace cycles can be increased.
- Endless trace:
 - The parameter data is written to the memory until this is full.
 - Further parameter data is then lost.
 - A ring buffer can be selected in order to avoid this.

When the ring buffer is activated, then the STARTER commissioning tool automatically starts again from the beginning to write to the trace memory after the last trace parameter was saved.

Device cycle of the SINAMICS DCM trace for an endless trace:

 - Up to four channels: 2 ms
 - ≥ five channels: 4 ms

- Triggering
 - Without triggering (recording immediately after start)
 - Triggering on signal with edge or on level
- STARTER commissioning tool
 - Automatic or adjustable scaling of the display axes
 - Signal measurement via cursor
- Adjustable trace cycle: Integer multiples of the basic sampling time

Multiple trace

A multiple trace consists of single, completed, consecutive traces. Using multiple tracing on a card, it is possible to cyclically record (a specific number) traces with the same trace configuration (number of channels, sample depth, recording cycle,..), and to save these traces persistently on the drive memory card.

The functions "endless trace", "single trace" and "multiple-trace" cannot be used at the same time. With a correspondingly incorrect configuration, alarm "A02097" is output. However, a multiple trace with a cycle of 1 is nothing more than a single trace with saved measurement results.

NOTICE
<p>Shorter service life of memory cards as a result of multiple traces.</p> <p>The service life of the cards can be shortened by the multiple traces because the memory media is subject to wear as a result of the write access operations from a technical point of view.</p>

Note

The performance of the complete system can be negatively influenced by a continuous multiple trace.


Requirement

A multiple trace is only possible if the memory card is plugged in and not blocked. In this case, alarm "A02098 MTrace: Cannot be saved" is output with alarm value "1".

Activating a multiple trace

Note

The multiple trace can be activated or set separately for each trace recorder.

1. In STARTER, click the  symbol (device trace-function generator).

The "Trace" parameterizing screen form is then displayed.

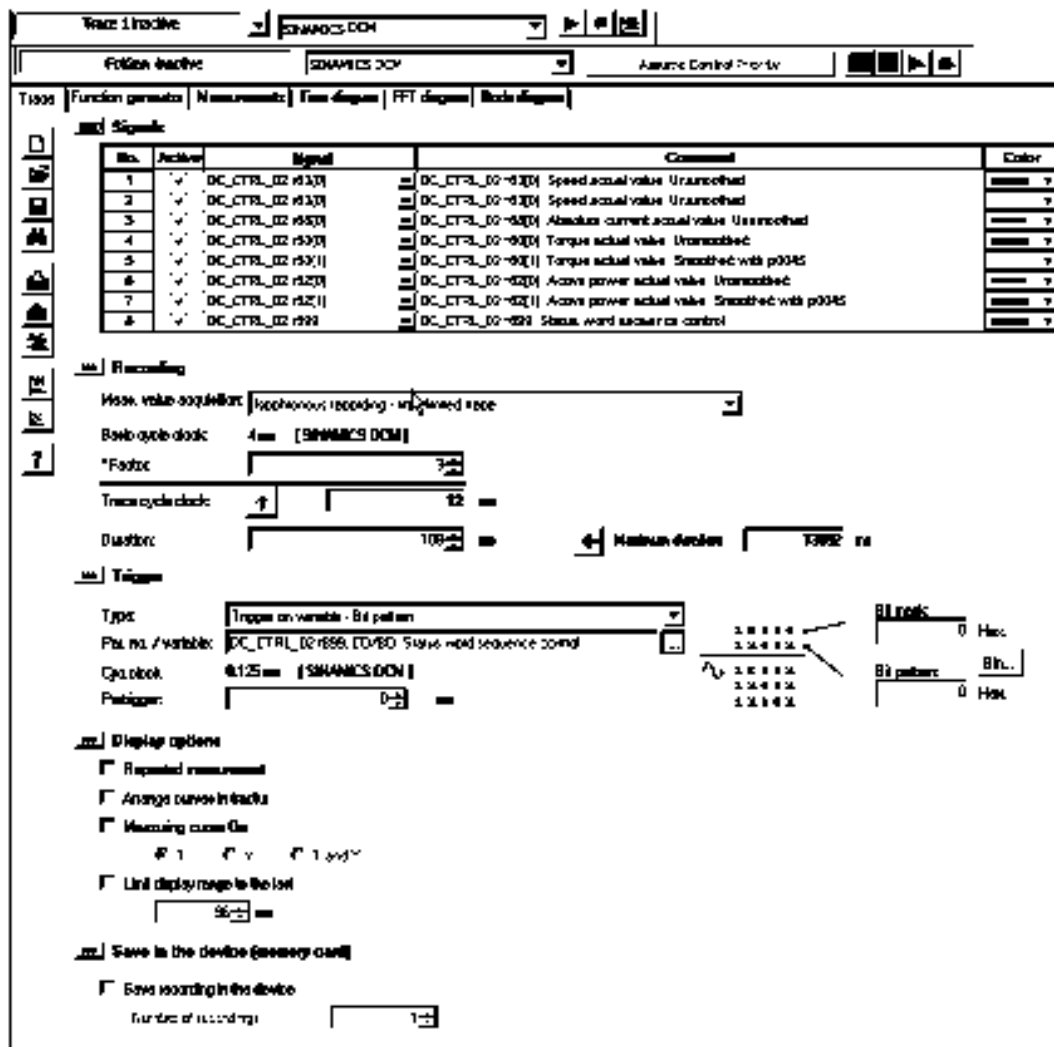


Figure 10-98 Multiple trace in STARTER

2. Activate the "Save recording in the device" checkbox.
3. Enter the number of cycles in the "Number of recordings" field.

Note

Detailed information on how to parameterize and operate the trace function is available in the STARTER online help in Chapter "Trace, measuring functions and automatic controller setting".

4. Make the required trace settings and save the settings.

Sequence of a multiple trace

1. A multiple trace is started just like a conventional single trace using the STARTER "Trace" screen form.
2. The multiple trace component saves the measurement result after the trigger condition has occurred and the trace data has been completely recorded.
3. The single trace that has actually been completed is now automatically restarted from the multiple trace component. In this case, the same trace configuration (trigger condition, recording cycle, etc.) is used as before. The trace buffer of the previous single trace is emptied in the process.

Trace status

The status of the multiple trace is displayed in the screen form (red frame):

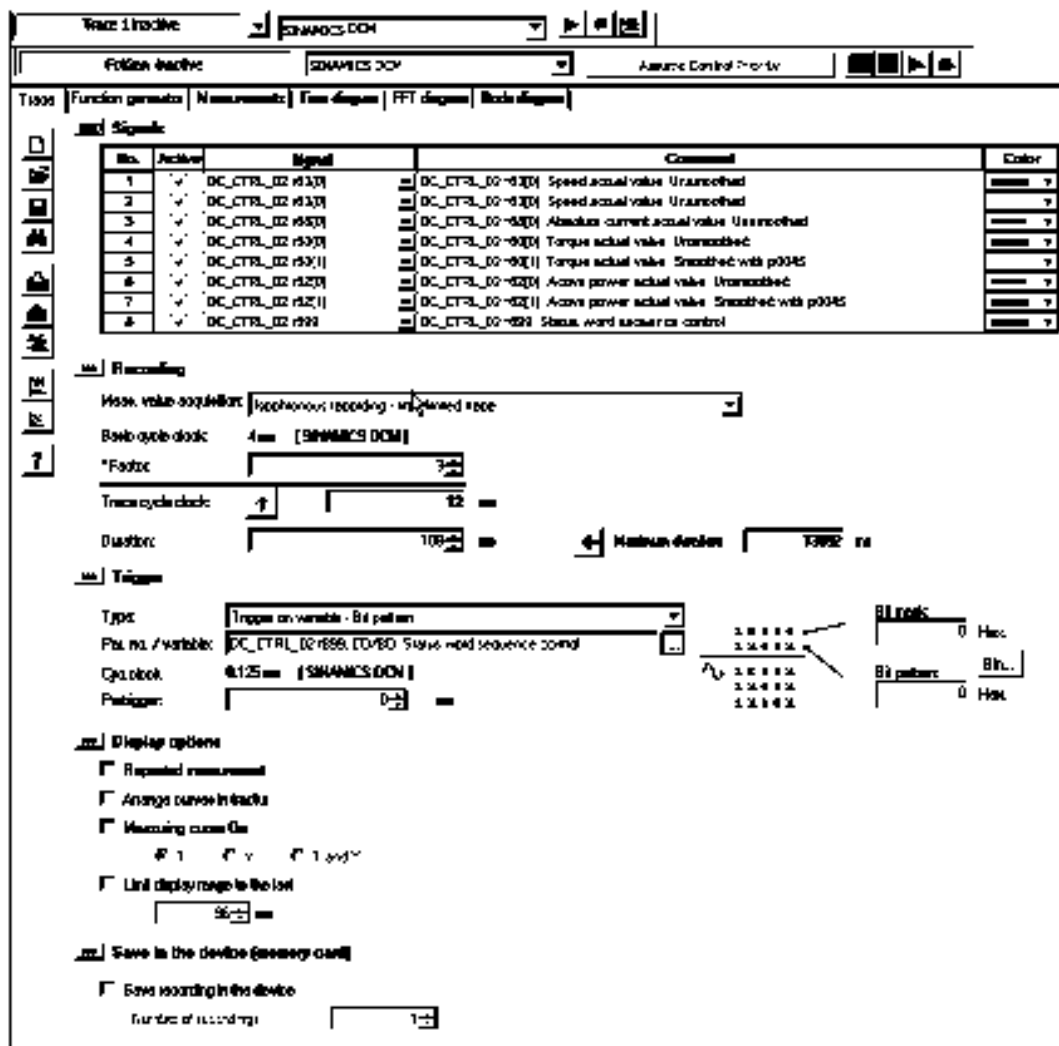



Figure 10-99 Trace status in STARTER

Startup trace

A startup trace basically consists of a conventional single trace with all of its configuration options (number of channels, sampling depth, recording cycle, etc.). With the appropriate configuration, a startup trace is automatically active after a drive restarts.

Configuring the startup trace

1. In STARTER, click the  symbol (device trace-function generator).

The "Trace" parameterizing screen form is then displayed.

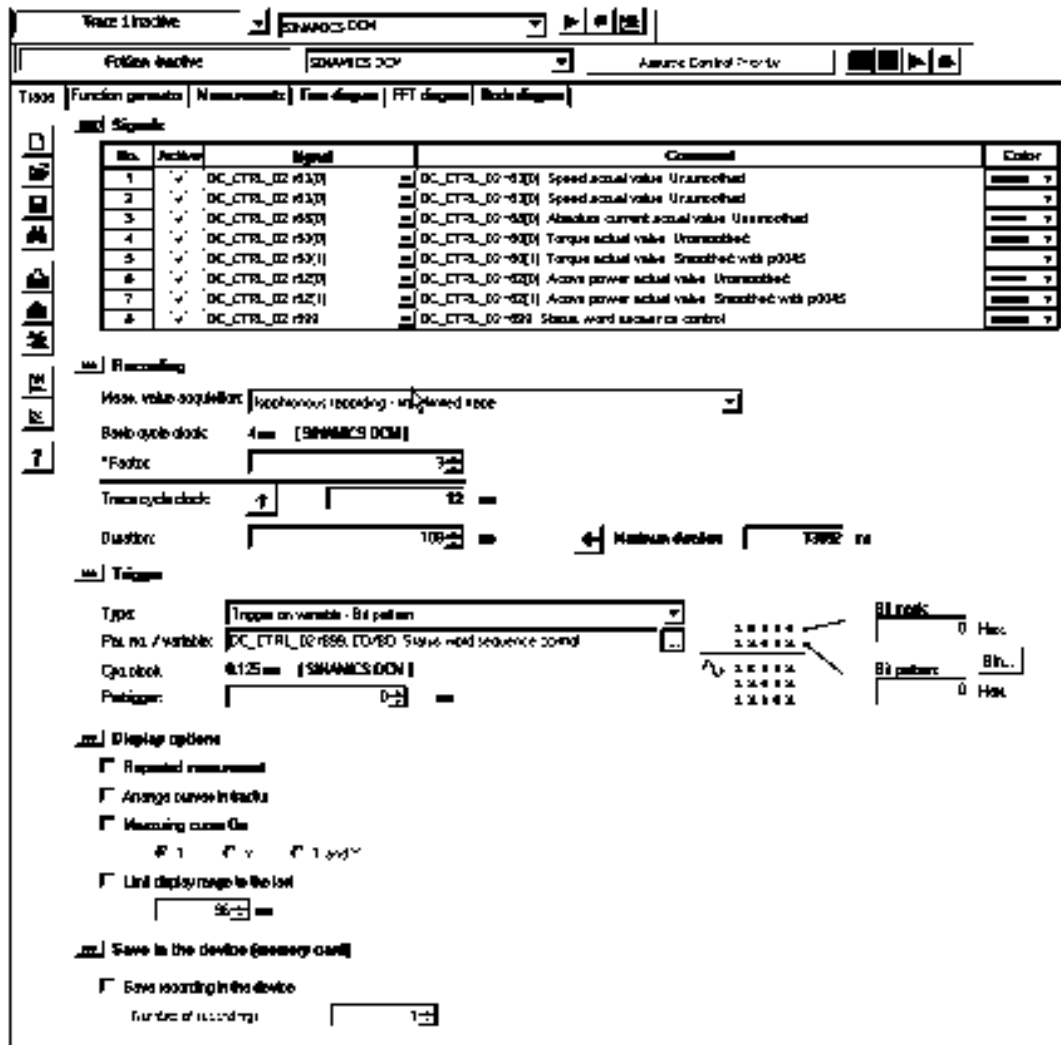


Figure 10-100 Startup trace in STARTER

2. Activate the "Save recording in the device" checkbox.

3. Enter a number ≥ 1 in the "Number of recordings" field.

Note

Detailed information on how to parameterize and operate the trace function is available in the STARTER online help in Chapter "Trace, measuring functions and automatic controller setting".

4. Make the required trace settings and save the settings.
5. Start the trace.

This is followed by the prompt whether the parameterization in the device should be saved.

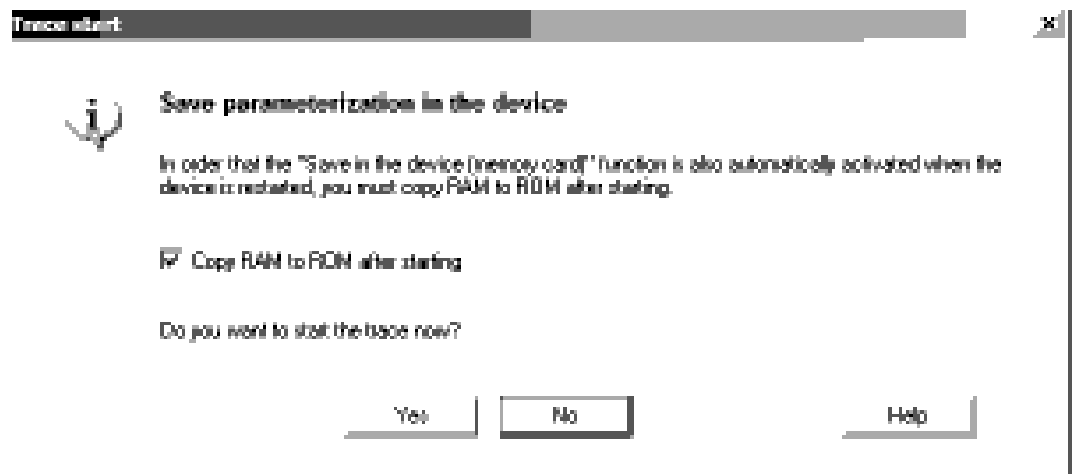


Figure 10-101 Trace save prompt in STARTER

6. Activate the "Copy RAM to ROM after starting" option.
7. Click "Yes" to start the trace.

After the restart (Power ON) of the SINAMICS DCM, the trace is started automatically (without a user action). After satisfying the trigger condition, the measurement is saved on the memory card in the USER\SINAMICS\DATA\LOG directory as ACX file. The trace is then restarted automatically. As many files are created as set at "Number of recordings". The oldest file is overwritten.

In order to view the measurements later with STARTER, the memory card must be removed from the SINAMICS DCM and inserted into the PC. The files can then be opened with the STARTER trace.

Overview of important alarms and faults (see SINAMICS DCM List Manual)

- A02097 MTrace: Multiple trace cannot be activated
- A02098 MTrace: Cannot be saved

10.33.6 Faults and alarms

10.33.6.1 General information

Description

The errors and states detected by the individual components of the drive unit are indicated by messages.

The messages are categorized into faults and alarms.

Note

The individual faults and alarms are described in the section titled "Faults and alarms" in the SINAMICS DCM List Manual. Here you can also find a section titled "Function diagrams" → "Faults and alarms", which contains function diagrams for the fault buffer, alarm buffer, fault trigger, and fault configuration.

Properties of faults and alarms

- Faults
 - Are identified by Fxxxx
 - Can lead to a fault reaction
 - Must be acknowledged once the cause has been remedied
 - Status via Control Unit and LED RDY
 - Status via PROFIBUS status signal ZSW1.3 (fault active)
 - Entry in the fault buffer
- Alarms
 - Are identified by Axxxx
 - Have no further effect on the drive unit
 - The alarms are automatically reset once the cause has been remedied. No acknowledgment is required.
 - Status via PROFIBUS status signal ZSW1.7 (alarm active)
 - Entry in the alarm buffer
- General properties of faults and alarms
 - Can be configured (e.g. change fault to alarm, fault reaction)
 - Triggering on selected messages possible
 - Initiation of messages possible via an external signal
 - Contains the component number for identifying the SINAMICS component involved
 - Contains diagnostic information on the message involved

Acknowledging faults

The list of faults and alarms specifies how each fault is acknowledged after the cause has been remedied.

1. Acknowledgment of faults with "POWER ON"
 - Switch the drive unit on/off (POWER ON).
2. Acknowledgment of faults with "IMMEDIATE"
 - Via PROFIBUS control signal
STW1.7 (reset fault memory): 0/1 edge
Set STW1.0 (ON/OFF1) = "0" and "1"
 - Via external input signal
Binector input and interconnection with digital input
p2103 = "Requested signal source"
p2104 = "Requested signal source"
p2105 = "Requested signal source"
Across all of the drive objects (DO) of a Control Unit
p2102 = "Requested signal source"
3. Acknowledgment of faults with "PULSE INHIBIT"
 - The fault can only be acknowledged with a pulse inhibit (r0899.11 = 0).
 - The same options are available for acknowledging as described under acknowledgment with IMMEDIATE.

Note

The drive cannot resume operation until all active faults have been acknowledged.

10.33.6.2 Buffer for faults and alarms

Note

A fault buffer and alarm buffer are provided for each drive. The drive and device-specific messages are entered in these buffers.

The contents of the fault buffer are saved to the non-volatile memory when the Control Unit is powered down, i.e. the fault buffer history is still available when the unit is powered up again.

Note

The entry in the fault/alarm buffer is made after a delay. For this reason, the fault/alarm buffer should not be read until a change in the buffer is also recognized (r0944, r2121) after "Fault active"/"Alarm active" is output.

Fault buffer

Faults which occur are entered in the fault buffer as follows:

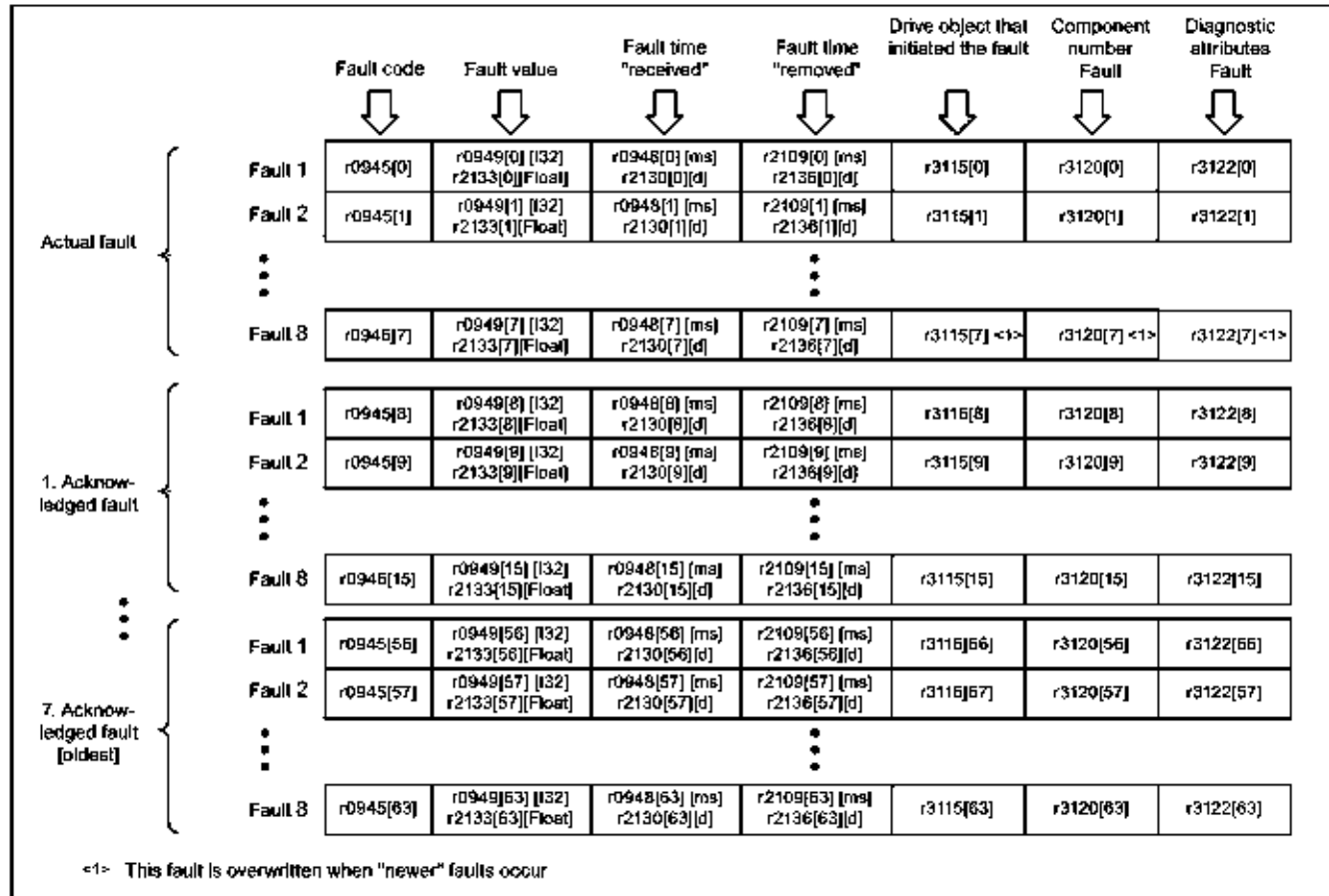


Figure 10-102 Structure of the fault buffer

Properties of the fault buffer:

- A new fault incident encompasses one or more faults and is entered in "Current fault incident".
- The entries appear in the buffer according to the time at which they occurred.
- If a new fault incident occurs, the fault buffer is reorganized. The history is recorded in "Acknowledged fault incident" 1 to 7.
- If the cause of at least one fault in "Current fault incident" is remedied and acknowledged, the fault buffer is reorganized. Faults that have not been remedied remain in "Current fault incident".
- If "Current fault incident" contains 8 faults and a new fault occurs, the fault in the parameters in index 7 is overwritten by the new fault.
- r0944 is incremented each time the fault buffer changes.
- A fault value (r0949) can be output for a fault. The fault value is used to diagnose the fault more accurately; please refer to the fault description for details of the meaning.

Clearing the fault buffer

- The fault buffer is reset as follows: p0952 = 0

Alarm buffer, alarm history

The alarm buffer comprises the alarm code, the alarm value, and the alarm time (received, resolved). The alarm history occupies the last indices ([8...63]) of the parameter.

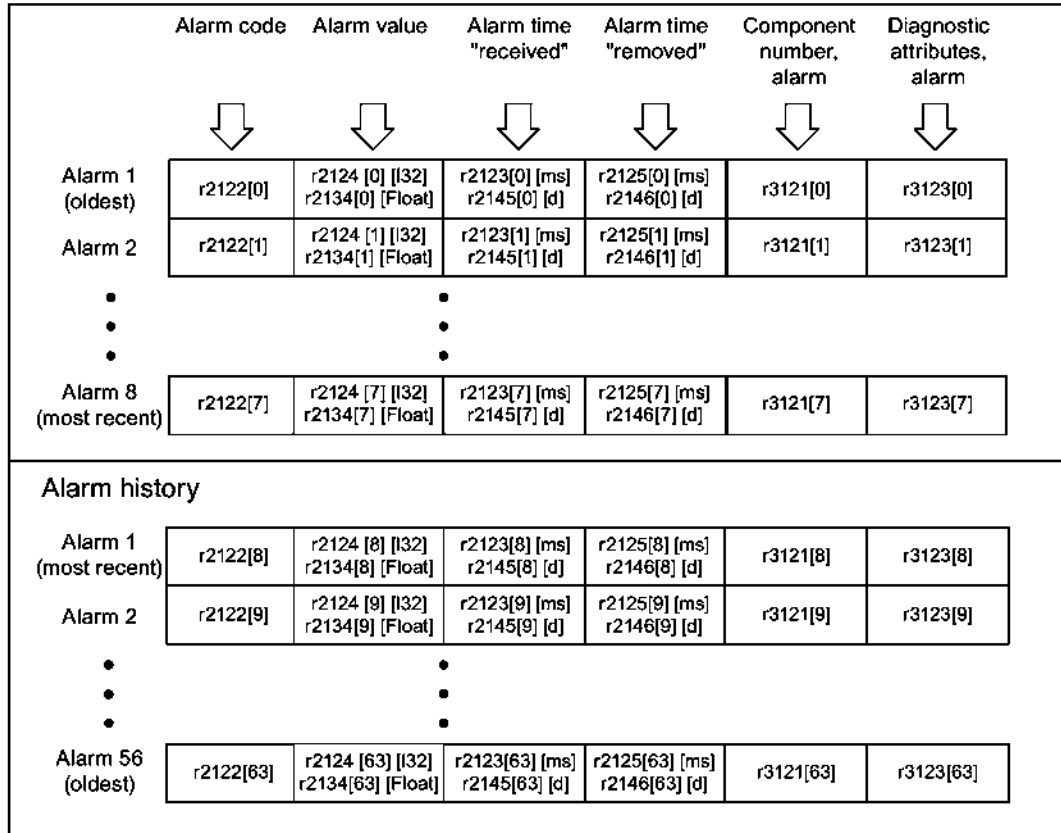


Figure 10-103 Structure of alarm buffer

Alarms that occur are entered in the alarm buffer as follows:

A maximum of 64 alarms are displayed in the alarm buffer:

- Index 0 to 6: The first 7 alarms are displayed.
- Index 7: The most recent alarm is displayed.

A maximum of 56 alarms are displayed in the alarm history:

- Index 8: The most recent alarm is displayed.
- Index 9 to 63: The first 55 alarms are displayed.

Properties of the alarm buffer/alarm history:

- The alarms in the alarm buffer are arranged from 7 to 0 according to the time that they occurred. In the alarm history, this is from 8 to 63.
- If 8 alarms have been entered in the alarm buffer, and a new alarm is received, the alarms that have been resolved are transferred to the alarm history.

- r2121 is incremented each time the alarm buffer changes.
- An alarm value (r2124) can be output for an alarm. The alarm value is used to diagnose the alarm more accurately; please refer to the alarm description for details of the meaning.

Clearing the alarm buffer, index [0...7]:

- The alarm buffer index [0...7] is reset as follows: p2111 = 0

10.33.6.3 Configuring messages

The properties of the faults and alarms in the drive system are permanently defined.

The following configuration settings can be made for some of the messages within a permanently defined framework for the drive system:

Change message type (example)

Select message	Set message type
p2118[5] = 1001	p2119[5] = 1: Fault (F)
	= 2: Alarm (A)
	= 3: No message (N)

Change fault response (example)

Select message	Set fault response
p2100[3] = 1002	p2101[3] = 0: None
	= 1: OFF1
	= 2: OFF2
	= 3: OFF3

Change acknowledgment (example)

Select message	Set acknowledgment
p2126[4] = 1003	p2127[4] = 1: POWER ON
	= 2: IMMEDIATE
	= 3: PULSE INHIBIT

Note

Only those messages which are listed in the indexed parameters can be changed as desired. All other messages retain their factory settings or are reset to the factory settings.

Examples:

- In the case of messages listed via p2128[0...19], the message type can be changed. The factory setting is set for all other messages.
 - The fault response of fault F12345 has been changed via p2100[n]. The factory settings are to be restored.
 - p2100[n] = 0
-

Delay of the fault response

The fault response can be delayed by a parameterized time for all faults.

p51780 Delay time (0.000 s .. 60.000 s), factory setting = 0.000 s

See also function diagram 2651.

The two CO/BOs r2139.3 (Fault active) and r3114.10 (Fault present) can be used by a higher-level controller in order to detect the time when a fault occurs (Fault present) and the time when a fault takes effect (Fault active).

Triggering on messages (example)

Select message	Trigger signal
p2128[0] = 1001	BO: r2129.0
or	
p2128[1] = 1002	BO: r2129.1

Note

The value from CO: r2129 can be used as a group trigger.

CO: r2129 = 0 No selected message has been output.

CO: r2129 > 0 Group trigger.

At least one selected message has been output.

The individual binector outputs BO: r2129 should be investigated.

Triggering messages externally

If the appropriate binector input is interconnected with an input signal, fault 1, 2, or 3 or alarm 1, 2, or 3 can be triggered via an external input signal.

Once an external fault (1 to 3) has been triggered on the Control Unit drive object, this fault is also present on all associated drive objects. If one of these external faults is triggered on a different drive object, it is only present on that particular drive object.

Bl: p2106	→ External fault 1	→ F07860(A)
Bl: p2107	→ External fault 2	→ F07861(A)
Bl: p2108	→ External fault 3	→ F07862(A)
Bl: p2112	→ External alarm 1	→ A07850(F)
Bl: p2116	→ External alarm 2	→ A07851(F)
Bl: p2117	→ External alarm 3	→ A07852(F)

Note

An external fault or alarm is triggered by a 1/0 signal.

An external fault and alarm do not usually mean that an internal drive message has been generated. The cause of an external fault and warning should, therefore, be remedied outside the drive unit.

10.33.6.4 Parameters and function diagrams for faults and alarms

Function diagrams (see the SINAMICS DCM List Manual)

- 1710 Overview diagram – monitoring functions, faults, alarms
- 8060 Faults and alarms – fault buffer
- 8065 Faults and alarms – alarm buffer
- 8070 Faults and alarms – fault/alarm trigger word r2129
- 8075 Faults and alarms – fault/alarm configuration

Overview of important parameters (refer to the SINAMICS DCM List Manual)

- r0944 Counter for fault buffer changes
...
- p0952 Fault incident counter
- p2100[0...19] Fault code for fault reaction selection
...
- r2139 Status word for faults
- r3120[0...63] Component number fault
- r3121[0...63] Component number alarm
- r3122[0...63] Diagnostics attribute fault
- r3123[0...63] Diagnostics attribute alarm

10.33.6.5 Forwarding faults and alarms

Forwarding faults and alarms of the CU

When faults or alarms are triggered on the drive object of the CU, it is always assumed that central functions of the drive unit are involved. For this reason, these faults and alarms are not only signaled on the drive object of the CU, but are also forwarded to all other drive objects. The fault reaction affects the drive object of the CU and all other drive objects. This behavior also applies to the faults set in a DCC chart on the CU with the aid of DCB STM.

A fault that was set on the drive object of the CU must be acknowledged on all drive objects to which this fault was forwarded. In this way, the fault is then automatically acknowledged on the drive object of the CU. Alternatively, all faults of all drive objects can also be acknowledged on the CU.

If a set alarm is reset on the drive object of the CU, this alarm also disappears automatically on the other drive objects to which this alarm was forwarded.

Forwarding faults and alarms as a result of BICO interconnections

If two or more drive objects are connected via BICO interconnections, then faults and alarms from CU, TM31, TM15, TM17, and TM15DIDO drive objects are forwarded to DC_CTRL-type drive objects. Faults are not forwarded within these two groups of drive object types.

This behavior also applies to the faults set in a DCC chart on the above drive object types with the aid of DCB STM.

10.34 CPU time load with SINAMICS DCM

The CPU time load of the SINAMICS DCM can be read out at r9976[1]. Principally, the following rules apply:

1. The cyclic DC closed-loop control of the SINAMICS DCM generates a base load of approx. 70% (can be read on r9976[1]).
2. The use of peripherals (AOP30, starter, M15, TM31, TM150, SCM30, CBE20, etc.), certain settings in the closed-loop control and/or use of the free function blocks along with the DCC technology option increases this base load. The additional CPU time load through the main components is summarized in the table below.
3. The CPU time load must not exceed a utilization of 100% at r9976[1].

 **WARNING**

At a CPU time load of >100% on r9976[1], the correct functioning of the drive is no longer ensured.

Note

When the time load of the CUD is too high (r9976[1] >100%), fault F60099 (in extreme cases F01205) is output (time slice overflow). In such a case, the drive needs to be switched off and then back on again (POWER OFF / POWER ON).

The CPU time load must be taken into consideration when configuring and commissioning the SINAMICS DCM.

Table 10- 60 Additional CPU time load through optional components

Component	Additional CPU time load
AOP30 via PPI	+4%
1 TM31	+4%
2 TM31	+5%
3 TM31	+6%
1 TM15	+1%
2 TM15	+1.5%
3 TM15	+2%
1 TM150	+1%
2 TM150	+1.5%
3 TM150	+2%
1 SMC30	+2%
1 CBE20	+1%
Internal encoder (p50083=2)	+2%
Parallel interface	+4%
Peer-to-peer	+4%
Calculating the thyristor blocking voltage	+4.5%
Is supported by the CCP	+3.5%
Memory card inserted	+1%

Component	Additional CPU time load
Free function blocks	Depending on the number of free function blocks being used and their runtime groups, see Chapter Free function blocks (Page 626)
DCC	Depending on the number of DCC blocks being used and their runtime groups, see Chapter Drive Control Chart (DCC) (Page 628)

Note

The additional CPU time load stated above for TM15, TM31 and TM150 apply to a sampling time of 4 ms (p4099 = 4000). Setting faster sampling rates in the TM modules increases the CPU time load in the SINAMICS DCM to values considerably higher than those stated above.

Note

The stated computing rules are to be understood as support during configuring and commissioning. The theoretical CPU time load computed from these rules can deviate from the CPU time load actually measured on the r9976[1] by several percentage points.

10.34.1 Maximum configuration

The following configuration can be operated as the maximum on one CUD.

Table 10- 61 Maximum configuration with SINAMICS DCM

Number	Component	Note
3	TM15, TM31, TM150	Connection of any combination of TM15, TM31 and TM150 modules on DRIVE-CLiQ. The connection of other TM modules (TM17, TM41,...) and of more than three TM modules is locked. Sampling in 4 ms cycle (p4099=4000). Faster sampling increases the CPU time load, and precludes operation of this maximum configuration
1	SMC30	The connection of others (SMC10, SMC20,...) and of more than one external encoder module is locked.
1	CBE20	The connection of other OMI modules (CBE10) is locked.
1	Internal encoder	p50083 = 2
1	AOP30	Connection via PPI or RS232
1	STARTER	Online
1	Parallel interface	Active
1	Peer-to-peer	Active

Note

The capacity of the SINAMICS DCM can be expanded by equipping the SINAMICS DCM with a 2nd CUD (right-hand slot). See the "Expanding the SINAMICS DCM to include a second CUD" chapter.

10.34.2 Computation examples

Example 1:

Project A is a single drive in a control cabinet. An AOP30 (PPI) is located in the control cabinet door. The motor has an incremental encoder, which is connected through the internal encoder input.

Base load	70 %
AOP30 via PPI	+4 %
Internal encoder	+2 %
Calculated CPU time load =	76 %

Approx. 24 % remain free for use by the free function blocks and/or DCC blocks.

Example 2:

Project B is a single drive connected to an S7 via ProfiNet. 3 TM31 modules are used for terminal expansion. The sampling rates of the TM modules (p4099) are set to 4000 ms. In addition, a configured DCC application in the drive is running, which comprises 50 blocks and runs in the 6 ms time slice.

Base load	70 %
CBE20	+1 %
3 × TM31 with p4099[1,2,3] = 500	+6 %
DCC application: 50 blocks @ 1 ms	+5 %
Calculated CPU time load =	82 %

The CUD is 82 % utilized.

Note

The available CPU time can be expanded by equipping the SINAMICS DCM with a 2nd CUD (right-hand slot). See the "Expanding the SINAMICS DCM to include a second CUD" chapter.

10.35 Free function blocks

A logic operation, which connects several states (e.g. access control, plant status) to a control signal (e.g. ON command), is required for controlling the drive system in a wide variety of applications.

Along with logic operations, a number of arithmetical operations and storing elements are becoming increasingly important in drive systems. This functionality is available as a "Free function blocks" function module (FBLOCKS) on the drive object type of the SINAMICS DCM.

Notes

- Exact information on the scope of the blocks, about parameter assignment and about commissioning the free function blocks is available in the "SINAMICS" Free function blocks" manual. This chapter describes the special features of the free function blocks with SINAMICS DCM.
- This additional functionality increases the CPU time load. That means the maximum possible configuration with a Control Unit may be restricted.
- The free function blocks are restricted in their scope to 52 blocks per drive object (DO). Furthermore, the unassigned function blocks as compared to DCC cause significantly higher CPU time load. If that does not suffice, the application can be implemented with the DCC technology option. See the Drive Control Chart (DCC) chapter.
- In the SINAMICS DCM, simultaneous use of the free function blocks and the DCC technology option are feasible.
- With the SINAMICS DCM, parameters that specify scaled variables have the unit "Percent". With free function blocks, parameters that specify scaled variables have no dimension. When setting parameter values, the unit of the parameter must **always** be taken into account. The unit is specified in the List Manual and is displayed in STARTER and on the AOP30.

Remark:

The relationship between percent variables and dimensionless variables is 100% corresponds to 1.00.

The conversion is performed according to the formula: $Y=X/100\%$.

X..percent variable

Y..dimensionless variable

Example: The fixed value r52401 is used as the input value of the limit monitor (p20266 = 52401). p50401 and r52401 both have the unit "%". If the value "50%" is specified at p50401, the value "50%" appears at r52401. The value "50%" (= 0.5) is therefore effective as the input signal X of the limit monitor. If a mean interval value of 50% is to be set, then p20267 = 0.5 must be set because parameter p20267 is dimensionless and the relationship 50% = 0.5 applies.

CPU time load through free function blocks with the SINAMICS DCM

Processing free function blocks requires considerable computation time. If little CPU time remains, you have to check whether all the activated function modules are required and whether all the function blocks used need to be computed within the same sampling time.

The CPU time load can be reduced by either deactivating function modules or assigning used function blocks to a runtime group with a longer sampling time.

Table 10- 62 CPU time load through free function blocks with the SINAMICS DCM

Time slice	Number of free function blocks	CPU time load
16 ms	52	+30%
8 ms	23	+30%
5 ms	12	+30%
4 ms	6	+30%
2 ms	3	+30%

Notes

- The actual CPU time load of the CUD can be read out on r9976. Please refer to the "CPU time load with the SINAMICS DCM" chapter for more information about the CPU load with the SINAMICS DCM.
- To make own calculations, the above-illustrated CPU time loads can be taken as "linear". This means that:
 - half as many blocks in the same time slice generate half as much CPU time load, etc.
 - the same number of blocks in time slices half as fast generate half as much CPU time load, etc.
- Each individual free function block can be assigned to a runtime group via parameter (e.g. p20032). Ten runtime groups are available. Every runtime group can be assigned a time slice using p20000.
The time slices that can be selected with p20000 = 1 to 1096 are calculated asynchronously to the closed-loop control functions.
The time slice that can be selected with p20000 = 9003 is the time slice in which the setpoint channel (function diagrams 3105 to 3155) is calculated. One of the free function blocks assigned to this time slice is immediately calculated before the functions of the setpoint channel.

10.36 Drive Control Chart (DCC)

For complex applications that cannot be implemented with the free function blocks, the DCC technology option is available. With DCC, a function diagram can be graphically created, which comprises elementary function blocks that are connected with each other, and which can then be loaded into the SINAMICS DC MASTER.

The following steps are required to implement an executable DCC control with the SINAMICS DCM:

1. Installation of STARTER and a DCC license on the PC
2. Loading the DCC technology option on to the memory (ROM) in the drive unit.
3. Configure a DCC diagram on the PC (DCC editor)
4. Compile the DCC diagram on the PC and load it into the drive

Notes

- Detailed information on the function blocks is contained in the "SINAMICS SIMOTION Function Manual DCC Block Description" as well as in the "SINAMICS SIMOTION Programming Manual DCC Editor". This chapter describes the special features of the DCC technology option with SINAMICS DCM.
- Simultaneous use of the free function blocks and the DCC technology option are feasible.
- This additional functionality through DCC increases the CPU time load. That means the maximum possible configuration with a Control Unit may be restricted.
- Before you load a STARTER project with DCC chart into the drive, you must load the DCC technology option into the memory of the drive unit (see Chapter "Loading the DCC technology option in the drive unit memory"). If you attempt to load a DCC chart into the drive, although the DCC technology option is not available in the drive, then the drive signals a fault. To resolve this fault, you have the following options:
 1. Now install the DCC technology option as described in Chapter "Loading the DCC technology option into the memory of the drive unit". Then, carry out a POWER OFF / ON. Now load the STARTER project together with the DCC chart into the drive.
 2. Delete the DCC chart from the STARTER project and load the project into the drive without DCC chart.
 3. Restore the factory settings
 4. Carry out a POWER OFF / ON.

10.36.1 Loading the DCC technology option into the drive unit memory

Loading the DCC technology option into the drive unit is usually performed with STARTER and with the SINAMICS DCM takes about 7 min. During this process, the entire DCB library with a scope of approx. 2 MB data is transferred to the drive.

To accelerate this process, the SINAMICS DCM supports an alternative option for transferring the DCB library to the drive. With this method, the process is shortened to less than 5 min:

- **Step 1**

In STARTER, open a project that includes a SINAMICS DCM drive with at least one DCC chart. In the shortcut menu (right mouse button), select "Load into file system" (only possible in the offline mode).

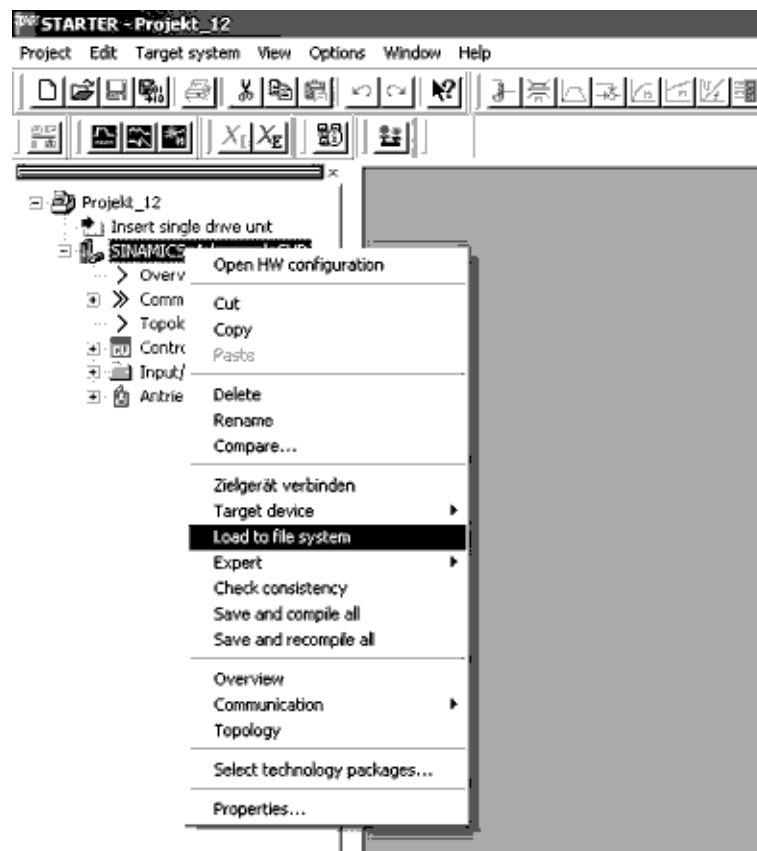


Figure 10-104 Loading into the file system

- **Step 2**

A dialog, "Load into file system", opens. Choose "Select target" and select an empty folder on a local hard drive.

- **Step 3**

After a folder has been selected, STARTER copies the DCB library into this local folder. 2 folders named "OEM" and "USER" are created.

- **Step 4**
Copy the OEM folder to an empty memory card.

Note

The memory card supplied from Siemens as option S01 or S02 includes, when supplied, a dump of the internal unit software. These files are only required to update software.

These files can be deleted for all other applications of the memory card. Copy the files into a local folder of your PG/PC and delete the files on the memory card, before you use the card for the functions described in this chapter.

- **Step 5**
Insert the Memory card into the switched-off drive and switch on (POWER ON). The DCB library is copied into the non-volatile memory (ROM) in the drive during power-up. The process is complete as soon as the power-up has ended (operating state 7.0 reached).
- **Step 6**
Switch device off/on (POWER OFF / POWER ON). After the new power-up, the DCC is ready.
- Repeat **steps 5 and 6** on additional SINAMICS DCM drives.

Note

If DCC is installed in the drive, the power-up time increases by approx. 10 s.

Note

This procedure does **not** transfer the STARTER parameter assignments into the unit. In order to transfer the parameter assignments from STARTER into the drive, the "Load into the target system" function must be run in STARTER.

10.36.2 CPU time load through DCC

Calculating the DCC blocks requires CPU time. If the CPU time becomes meager, you have to check whether all the activated blocks are required and whether all the function blocks used need to be computed within the same sampling time.

The CPU time load can be reduced by either deactivating blocks or assigning used blocks to a runtime group with a longer sampling time.

A list of all of the DCC blocks available for SINAMICS DCM and the required computation times are listed in Appendix B.

Table 10- 63 CPU time load DCC blocks left-hand CUD.

Time slice	Number of blocks ¹⁾	CPU time load
1 ms	50	+30 %
2 ms	100	+30 %
4 ms	200	+30 %
6 ms	300	+30 %
8 ms	400	+30 %
16 ms	800	+30 %
¹⁾ This information applies to a left-hand CUD without additional options. These options increase the basic load of the CUD and reduce the available CPU time for the DCC blocks. Please refer to the "CPU time load with the SINAMICS DCM" chapter for more information about the CPU load.		

In this information, an average complexity of the blocks being used is assumed. If only highly complex or very simple blocks are computed, the stated limit shifts accordingly.

Notes

- The actual CPU time load of the CUD can be read out on r9976. Please refer to the "CPU time load with the SINAMICS DCM" chapter for more information about the CPU load on the SINAMICS DCM.
- To make own calculations, the above-illustrated CPU time loads can be taken as "linear". This means that:
 - half as many blocks in the same time slice generate half as much CPU time load, etc.
 - the same number of blocks in time slices half as fast generate half as much CPU time load, etc.

Examples

1. In the 1 ms time slice, 50 blocks generate about 30 % additional CPU time load. For that reason, 50 blocks in the 2 ms time slice generate about $30 \% \times 0.5 = 15 \%$ additional CPU time load.
2. In the 7 ms time slice, $(300 + 400) / 2 = 350$ blocks generate about 30 % additional CPU time load. That means 250 blocks generate $250 / 350 \times 30 \% = 21.5 \%$ additional CPU time load.

10.36.3 Memory load through DCC

Along with the CPU time load, the memory load of the processor must also be considered when designing a closed-loop control with the DCC technology option. A higher number of configured DCC blocks and @parameters also more highly loads the internal memory (ROM) of the CUD.

For using DCC, on the SINAMICS DCM, as compared with the maximum possible configurations documented in the "Maximum configuration" chapter, depending on the size of the diagram, one must omit optional components. The number of blocks and the @parameters are decisive.

For one CUD without additional options, the following rules apply:

Table 10- 64 Maximum number of DCC blocks and @parameters

Drive object	Number of DCC blocks and @parameters
CU_DC	800
DC_CTRL	600

Note:

The specified maximum numbers for blocks and @parameters always apply for the entire drive unit and should be regarded as guide values. The CUD is completely utilized with 800 DCC blocks and @parameters on the DO CU_DC or 600 DCC blocks and @parameters on the DO DC_CTRL. Conserving @parameters has little effect on the quantity structure of the blocks; the specified maximum numbers for the blocks should therefore not be exceeded.

On the DO DC_CTRL, due to the large number of drive parameters, fewer DCC blocks can be computed than on the DO CU_DC.

In addition, the memory is loaded by optional components as follows:

Table 10- 65 Additional memory load through optional components

Component	Additional memory load (expressed in DCC blocks)
AOP30	- 200 blocks
TM31	- 150 blocks
TM15	- 150 blocks
TM150	- 150 blocks
SMC30	- 25 blocks
CBE20	- 25 blocks

The final limits are determined by the total memory available on the CUD. If the above-mentioned recommended maximum limits are exceeded, this can result in errors during upload or download (e.g. fault F1105: CU memory insufficient) and the drive can no longer be switched on; power OFF/ON must be performed on the drive unit.

Sample calculation:

The SINAMICS DM is equipped with one AOP30 and two TM31 modules. The DCC diagram is to be computed on the DO DC_CTRL.

→ $600 - 200 - 2 \times 150 = 100$ DCC blocks can be computed on the DO DC_CTRL.

Notes:

- If there is insufficient memory on the CUD for the configuration of the desired DCC diagram, the scope of the blocks needs to be reduced or the SINAMICS DCM needs to be equipped with a 2nd CUD on the right-hand slot.
- The computation rules stated above also apply to the CUD on the right-hand slot.
- In most cases, the CPU time load of the CUD becomes the limiting factor when designing the DCC application and not the memory load.

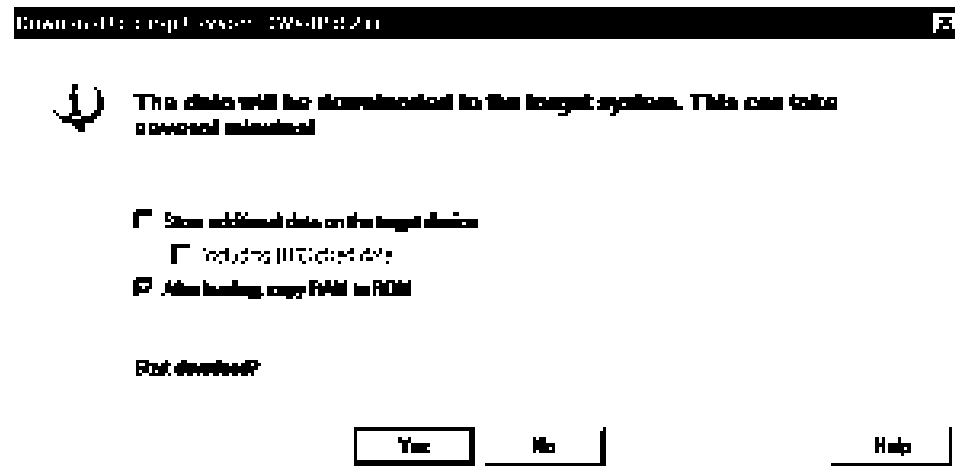
10.36.4 Backing up the DCC diagrams

A DCC project comprises two parts.

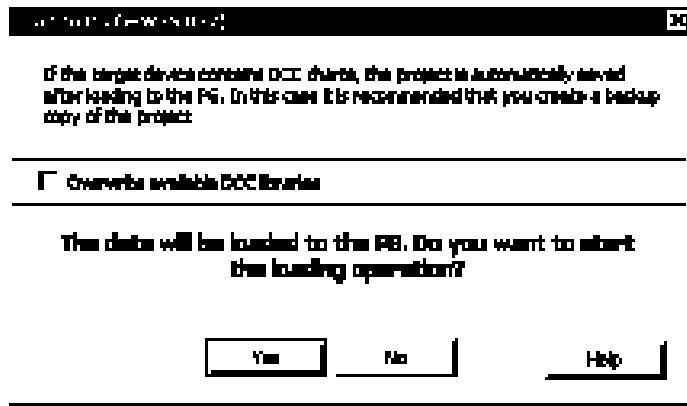
1. Information about the type, time slices and interconnection of the DCB blocks
2. Information about the layout and graphics in the DCC charts

When downloading the DCC chart to the drive (download to the target system), only the information about the type, time slices and interconnection of the DCB blocks (Point 1) are downloaded to the drive.

If required, the DCC charts can also be saved in the target device. A further prompt appears after selecting the "Download to Target System" window. The DCC charts are also saved when both checkboxes are activated.



The following prompt appears when selecting "Load to PG" later:



If the checkbox is activated, the DCC charts in the project are overwritten by those in the target device.

The information about layout and graphics in the DCC charts (Point 2) is still available in the STARTER project.

10.37 Write and know-how protection

In order to protect your own projects against changes, unauthorized viewing or copying, the "Write protection" and "Know-how protection" (KHP) functions are available.

Protection	Validity	Objective	Effect
Write protection	Online	Protection of the parameterization against inadvertent changes by the user.	p-parameters can be read, but cannot be written.
Know-how protection	Online	Protection of intellectual property, especially the know-how of the machine manufacturers, against unauthorized use or reproduction of their products.	p-parameters can neither be read nor written.

10.37.1 Write protection

Write protection prevents settings from being inadvertently changed. No password is required for write protection.

Setting up and activating write protection

1. Connect the Control Unit to the programming device.
2. Call STARTER.
3. Download your project.
4. Establish a connection to the target device.
5. Select the required drive unit in the project navigator of your STARTER project.

- 6. Call the shortcut menu "Write protection drive unit > Activate".

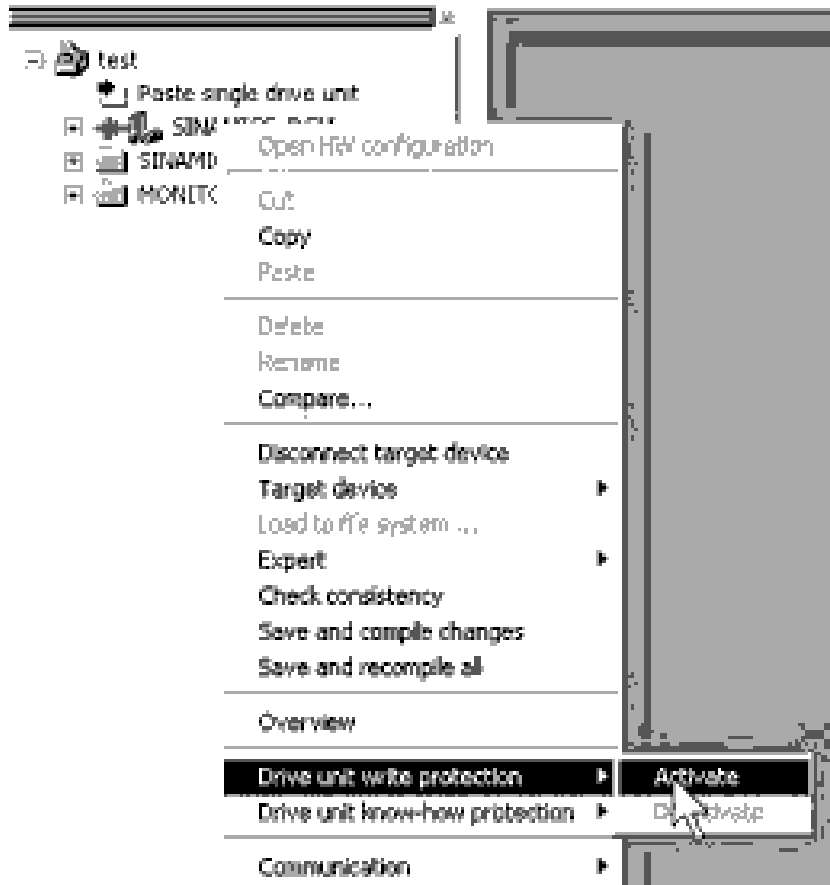


Figure 10-105 Activating write protection

Write protection is now activated. In the expert list you can recognize that write protection is active by the fact that the entry fields of all adjustable parameters are shown with gray shading.

In order to permanently transfer your setting, after changing write protection, you must carry out the "RAM to ROM" data save operation.

Note

Know-how protection with active write protection

If write protection is active, the know-how protection setting cannot be changed.

Note

Access via fieldbus

Per default, in spite of write protection, parameters can be changed via fieldbuses with acyclic access. If write protection should also be active for access operations via fieldbuses, then in the expert list, you must set p7762 to 1.

Deactivating write protection

1. Connect the Control Unit to the programming device.
2. Call STARTER.
3. Download your project.
4. Establish a connection to the target device.
5. Select the required drive unit in the project navigator of your STARTER project.
6. Call the shortcut menu "Write protection drive unit > Deactivate".

The hatching in the expert list disappears after deactivation. The parameters can be set again.

Parameters without write protection

Certain parameters are excluded from the write protection in order not to restrict the functionality and operability of the drives. The list of these parameters can be found in the SINAMICS DCM List Manual in Chapter "Parameters for write protection and know-how protection", Section "Parameters with WRITE_NO_LOCK".

The "Restore factory settings" function can also be used when write protection is activated.

10.37.2 Know-how protection

The "Know-how protection" function prevents, for example, confidential company know-how for configuration and parameter assignment from being read by unauthorized persons.

The know-how protection requires a password. The password must comprise at least 1 and a maximum of 30 characters.

Note

Password security

You are responsible for the security of your password. Whenever possible, use a password with sufficient length (min. eight characters); use upper- and lower-case letters and special characters.

The know-how protection is a pure online function. Therefore, establish a direct connection to the Control Unit before setting the password.

Characteristics when know-how protection is activated

- Except for a small number of system parameters and the parameters specified in an exception list, all other parameters are locked. In the expert list, the value of these parameters cannot be read or changed.
- In the expert list of STARTER, the text "Know-how protected" is displayed for the locked parameters instead of the parameter values.
- Know-how protected parameters of the expert list can be hidden in the "Online value of the Control Unit" drop-down list via the entry "Without know-how protection".
- The values of display parameters remain visible.
- The contents of screen forms are not displayed when know-how protection is active.
- Know-how protection can be combined with copy protection.

Functions locked using know-how protection

The following listed functions are inhibited when know-how protection is active:

- Download
- Trace function
- Function generator
- Deleting the alarm history
- Creating acceptance documentation

Functions that can only be partly executed with know-how protection

The following listed functions can only be partly executed when know-how protection is active:

- Displaying the topology (actual topology only)
- Upload (restricted scope; see OEM exception list (Page 640))

Functions that can be executed for know-how protection

The following listed functions can still be executed despite of the fact that know-how protection is activated:

- Restoring factory settings
- Acknowledging alarms
- Displaying alarms and warnings
- Displaying the alarm history
- Reading out the diagnostic buffer
- Switching over to the control panel (fetch the master control, all the buttons and setting parameters)
- Displaying created acceptance documentation

Parameters that can be changed when know-how protection is active

In spite of active know-how protection, certain parameters can be changed and read. The list of these parameters can be found in the SINAMICS DCM List Manual in Chapter "Parameters for write protection and know-how protection", Section "Parameters with KHP_WRITE_NO_LOCK".

Parameters that can be read when know-how protection is active

In spite of know-how protection being active, additional parameters can be read, but are locked against changes. The list of these parameters can be found in the SINAMICS DCM List Manual in Chapter "Parameters for write protection and know-how protection", in Section "Parameters with KHP_ACTIVE_READ".

Note

Password check for know-how protection

Please note that if the Windows language settings are changed, after activating know-how protection, errors can occur when subsequently checking the password. If you use language-specific special characters, you must ensure that the same language setting is active on the computer for subsequent entry of the password.

Note

Data security of the memory card

After setting up and activating the know-how protection, for encrypted data backup on the memory card, previously backed up, non-encrypted data of the SINAMICS software will be deleted. This is the standard deletion procedure, in which only the entries on the memory card are deleted. The data itself is still available and can be reconstructed.

To ensure know-how protection, we recommend the use of a new empty memory card. If you cannot obtain a new memory card in the short term, you should delete all safety-related data on the current memory card.

To completely delete your previous data on the memory card, you must reliably delete this data using a suitable PC tool before activating know-how protection. The data is located on the memory card in the "\\USER\SINAMICS\DATA" directory.

Note

Diagnostics under know-how protection

If service or diagnostics is to be performed when know-how protection is active, then Siemens can only provide support in collaboration with the OEM partner.

10.37.2.1 Copy protection

Features of the activated copy protection

Copy protection prevents project settings from being copied and transferred to other Control Units. Additional features include:

- The copy protection can only be activated in conjunction with the know-how protection (see Activating know-how protection (Page 641)).
- When copy protection is activated, the memory card and Control Unit are connected with one another and only function together.
- The copy protection prevents the use of each memory card with copied data of one Control Unit in another Control Unit.
- With the exception of the DCC library, the copy-protected data on the memory card cannot be read or copied. If a copied memory card is used, a copy protection error is displayed and a pulse inhibit set.

10.37.2.2 Configuring know-how protection

Requirements

Before activating know-how protection, the following conditions must be met:

- The drive unit has been fully commissioned.
(Configuration, download into the drive unit, complete commissioning. You have then carried out an upload in order to upload the parameters calculated by the drive into the STARTER project.)
- The OEM exception list has been created (see below).
- To guarantee know-how protection, you must ensure that the project does not remain at the end user as a file.

Creating the OEM exception list

Before activating the know-how protection, enter the parameters in this exception list that are to remain readable and writable despite the know-how protection. The exception list can only be created via the expert list. The exception list has no influence on the input screen forms in STARTER.

Factory setting for the exception list:

- p7763 = 1 (exception list contains precisely one parameter)
- p7764[0] = 7766 (parameter number for entering the password)

Procedure

1. Use parameter p7763 to define the required number of parameters for the exception list.
You can enter a maximum of 500 parameters in the exception list.
2. Execute the "Load to PG" function.
Parameter p7764 is adapted in the expert list according to the setting in p7763. Indices are inserted or deleted depending on the setting.
3. In parameter p7764[0...n], assign the individual indices of p7763 to the required parameter numbers.
4. Transfer the changes to the Control Unit so that they can become effective.

Note

Parameters of the exception list are not checked

The Control Unit does not check which parameters you include or delete in the exception list.

Absolute know-how protection

By removing parameter p7766 from the exception list of p7764[0] = 0, you prevent any access at all to the data of the Control Unit and your project settings. It is then impossible to read or change the protected data. The know-how protection and the copy protection can no longer be canceled or deactivated.

Activating know-how protection

1. Connect the Control Unit to the programming device.
2. Call STARTER.
3. Open your project.
4. Establish a connection to the target device.
5. Select the required drive unit in the project navigator of your STARTER project.

6. In the shortcut menu, select "Drive unit know-how protection > Activate".
The "Activate Know-how Protection for Drive Object" dialog box opens.

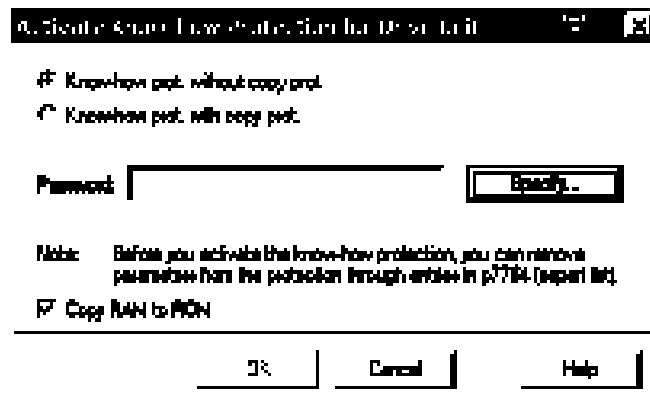


Figure 10-106 Activating

The "Know-how protection without copy protection" option is active by default.

7. If you want to activate the copy protection in addition to know-how protection, click the "Know-how protection with copy protection" option.
8. Click "Specify".

The "Know-how Protection for Drive Object - Specify Password" dialog box opens.



Figure 10-107 Setting the password

9. In the "New password" field, enter the password (1 to 30 characters). Pay attention to upper- and lower-case.
10. Enter it again in the "Confirm password" field and click "OK" to confirm the entry.

The dialog box is closed and the password is shown in encrypted form in the "Activate Know-how Protection for Drive Object" dialog box.

The "Copy RAM to ROM" option is active by default and ensures that the know-how protection is permanently stored in the Control Unit. If you only want to activate the know-how protection temporarily, you can deactivate this option.

11. Then click "OK".

Know-how protection is now activated. The text "Know-how protected" is in all protected parameters of the expert list instead of the content.

Deactivating know-how protection

1. Connect the Control Unit to the programming device.
2. Call STARTER.
3. Open your project.
4. Establish a connection to the target device.
5. Select the required drive unit in the project navigator of your STARTER project.
6. In the shortcut menu, select "Drive unit know-how protection > Deactivate"

The "Deactivate Know-how Protection for Drive Unit" dialog box opens.

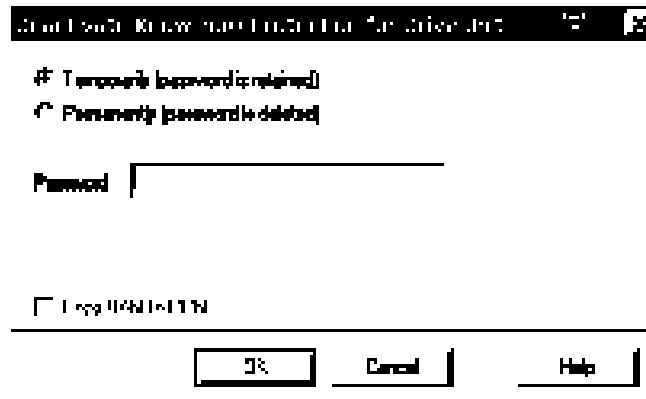


Figure 10-108 Deactivating

7. Select whether you want to deactivate the know-how protection "Temporarily" or "Permanently" by clicking the corresponding checkbox.
 - "Temporarily" deactivating: Know-how protection is active again after switching off and switching on.
 - "Permanently" deactivating: Know-how protection remains deactivated even after switching off and switching on again.

If you select "Permanently", you can also carry out a data backup on the Control Unit with "Copy RAM to ROM". The checkbox with the same name is active in this case and is automatically activated. If you deactivate this checkbox, you must perform a manual "RAM to ROM" data backup later if the know-how protection remains deactivated after switching off and on.

8. Enter your password, and click "OK".

Know-how protection is now deactivated. The values of all parameters are displayed again in the expert list.

Changing the password

A password can only be changed for an activated know-how protection.

To change the password for the know-how protection, proceed as follows:

1. Connect the Control Unit to the programming device.
2. Call STARTER.

3. Open your project.
4. Select the required drive unit in the project navigator of your STARTER project.
5. Call the shortcut menu "Drive unit know-how protection > Change password".

The "Change Password" dialog box opens.

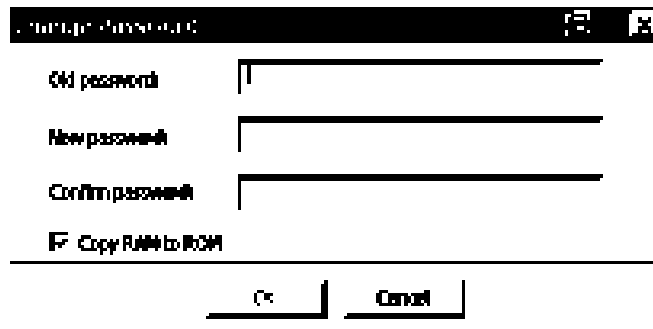


Figure 10-109 Changing the password

6. Enter your old password in the uppermost text box.
7. Enter your new password in the following text box and repeat it in the lowest text box.

The "Copy RAM to ROM" option is active by default and ensures that the new password for the know-how protection is permanently stored in the Control Unit. If you only want to change the password temporarily, you can deactivate this option.

8. Click "OK" to close the dialog box.

Once the password has been changed successfully, you will receive a confirmation.

10.37.2.3 Loading know-how protected data to the file system

Data with know-how protection can be directly loaded or saved to the file system from the drive unit. The activated know-how protection ensures that the data cannot be forwarded to unauthorized third parties.

The following applications are conceivable at the end user:

- Adaptations of encrypted SINAMICS data are required.
- The memory card is defective.
- The Control Unit of the drive is defective.

In these cases, the OEM can create a new encrypted subproject (for a drive object) via STARTER. The serial number of a new memory card or a new Control Unit is saved in this encrypted data record in advance.

Application example: Control Unit is defective

Scenario:

The Control Unit of an end user is defective. The machine manufacturer (OEM) has the end user's STARTER project files of the machine.

Sequence:

1. The end user sends the OEM the serial numbers of the new Control Unit (r7758) and the new memory card (r7843), and specifies the machine in which the Control Unit is installed.
2. The OEM loads the STARTER project data of the end user.
3. The OEM performs the STARTER function "Load to file system" (see Saving data to the file system (Page 644)).
 - The OEM specifies whether the data is to be stored zipped or unzipped.
 - The OEM makes the required know-how protection settings.
 - The OEM enters the serial numbers of the memory card and the new Control Unit.
4. The OEM sends the stored data to the end user (e.g. by e-mail).
5. The end user copies the "User" directory to the new memory card and inserts it into the new Control Unit.
6. The end user switches on the drive.

When powering up, the Control Unit checks the new serial numbers and deletes the values p7759 and p7769 if they match.

After it has powered-up without any errors, the Control Unit is ready for operation. The know-how protection is active.

If the serial numbers do not match, then fault F13100 is output.

If required, the end user must re-enter the changed parameters from the OEM exception lists.

Calling the "Load to File System" dialog box

1. Call STARTER.
2. Open the required project.

3. Select the required drive unit in the project navigator of your STARTER project.
4. Call the "Load to file system" function.

The "Load to File System" dialog box opens.

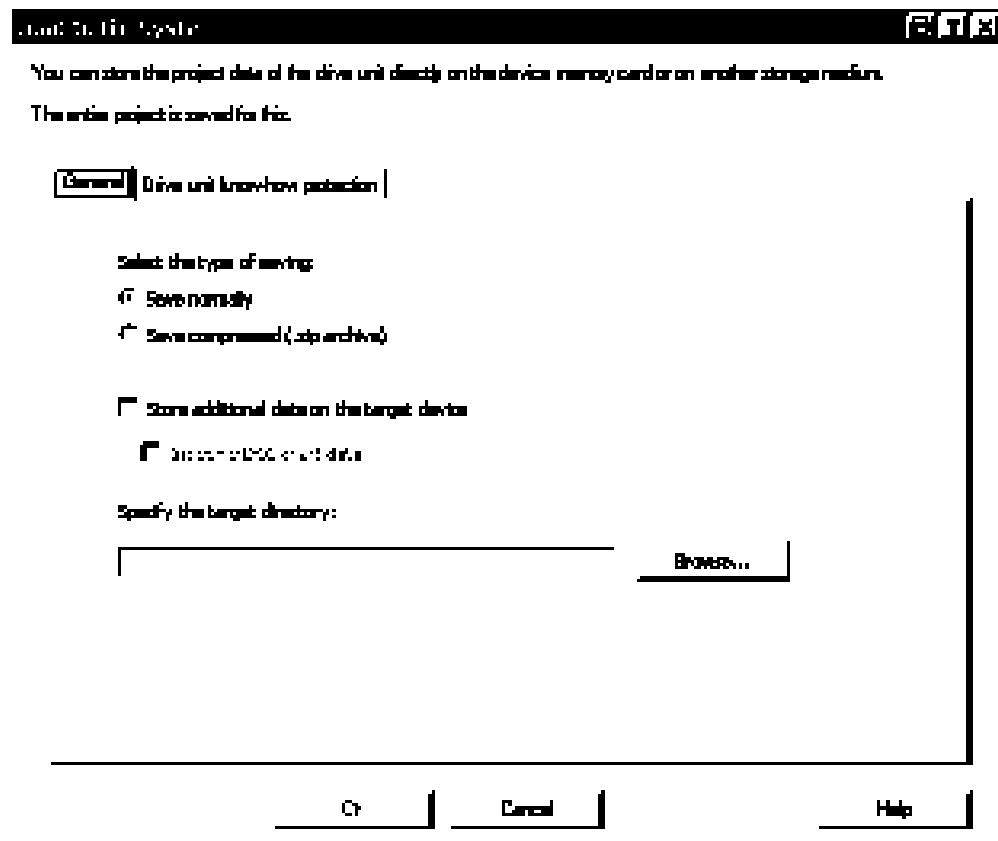


Figure 10-110 Load to file system (default setting)

Specifying the general memory data

The "General" tab is displayed automatically when the dialog is called. The "Save normally" option is activated by default.

1. If you want to save the data in compressed form, click the "Save compressed (.zip archive)" option button.

The "Store additional data on the target device" option is deactivated in the default setting.

2. If you want to store additional data, such as program sources, on the target device, activate this option.

- Optionally you can also activate "Including DCC chart data". Graphical chart data can then also be stored.

3. Then enter the path for the storage directory in the appropriate input field, or click "Browse" and select the directory in your file system.

Configuring know-how protection

Make the settings for the know-how protection on the "Drive unit know-how protection" tab.

1. Click the "Drive unit know-how protection" tab.

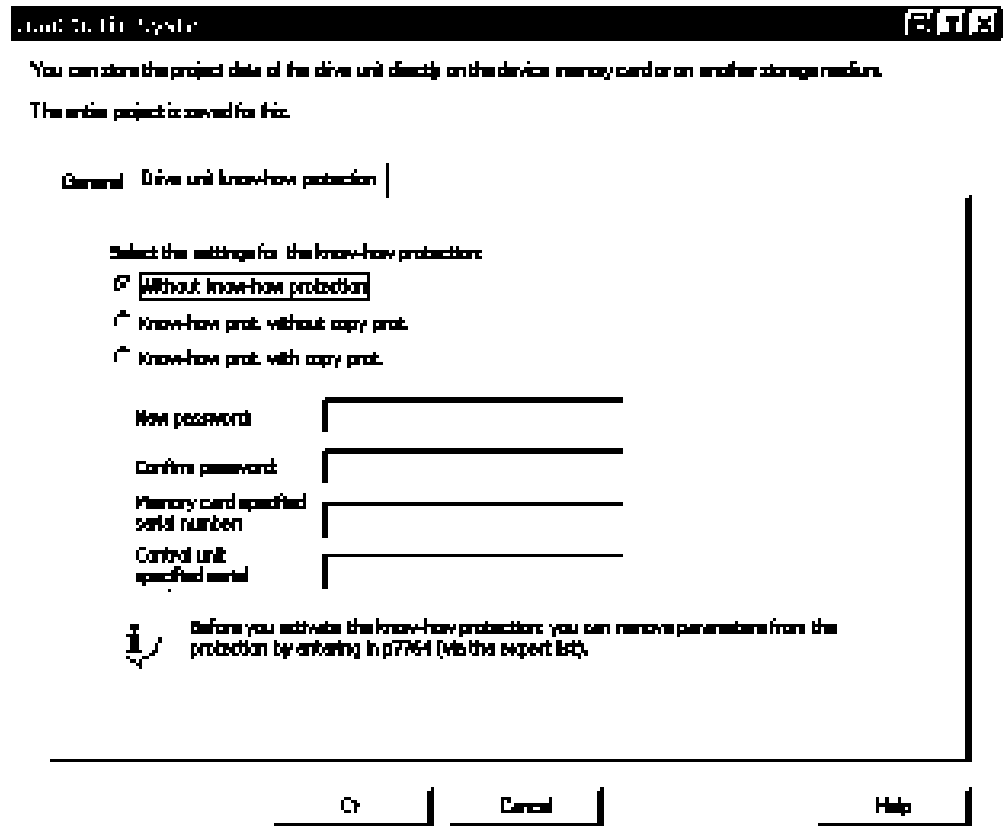


Figure 10-111 Load to file system know-how protection

By default, the "Without know-how protection" option is active. If you really want to store the data without protection (not recommended), you can exit the dialog box with "OK" or "Cancel" at this point.

2. If you want to save with protection, activate the "Know-how protection without copy protection" or "Know-how protection with copy protection" option.

Select the settings for the know-how protection:

- Without know-how protection
- Know-how prot., without copy prot.
- Know-how prot., with copy prot.

New password:

Confirm password:

Memory card specified serial number:

Control unit specified serial:

Figure 10-112 Activating load to file system know-how protection

The input fields are then active. Without copy protection, only the input fields for password input are active. With copy protection, the two input fields for the serial number are also active. Generally, the entries in the input fields are shown in encrypted form.

3. Enter the required password in the "New password" field and enter it again in the "Confirm password" field.
4. Enter the serial number of the new memory card for which the data is intended.
If you have selected the "Know-how protection with copy protection" option, the input of the Control Unit serial number is also obligatory.
5. In this case, also enter the serial number of the Control Unit in the appropriate input field.
6. Click "OK" to confirm the settings you made.

Result

The data of the subproject is stored in the required encryption in your file system. With the aid of this encrypted data, an end user can install a new memory card or Control Unit for the drive unit.

10.37.3 Overview of important parameters

Overview of important parameters (see SINAMICS DCM List Manual)

- r7758[0...19] KHP Control Unit serial number
- p7759[0...19] KHP Control Unit reference serial number
- r7760 Write protection / know-how protection status
- p7761 Write protection
- p7762 Write protection multi-master fieldbus system access behavior
- p7763 KHP OEM exception list number of indices for p7764
- p7764[0...n] KHP OEM exception list
- p7765 KHP memory card copy protection
- p7766[0...29] KHP password input
- p7767[0...29] KHP password new
- p7768[0...29] KHP password confirmation
- p7769[0...20] KHP memory card reference serial number
- r7843[0...20] Memory card serial number

 **WARNING**

Hazardous voltages are present in certain components of these electrical units during operation.

Dangerous voltage levels may be present at the signaling relays at the customer's site.

Therefore, failure to handle the units properly can result in death or serious physical injury as well as extensive property damage.

When performing maintenance on this unit, you should therefore observe all information provided in this section as well as any notices attached to the product itself.

- Only qualified personnel who are familiar with all the safety instructions in this description, as well as the installation, operating, and maintenance instructions, should carry out maintenance work on this unit.
- Before carrying out visual inspections and maintenance work, it must be ensured that the unit is disconnected from the AC power supply, disabled, and grounded. Before they are shut down, both the converter unit and the motor are subject to dangerous voltage levels; these may be present even when the converter unit's contactor is open.
- The TSE capacitors continue to carry dangerous voltage levels following disconnection. For this reason, the unit should not be opened until an appropriate period of time has elapsed.

Only spare parts approved by the manufacturer may be used.

The converter unit must be provided with extensive protection measures against contamination in order to prevent voltage flashovers and, therefore, destruction. Dust and foreign bodies, which are brought in by the cooling-air flow in particular, must be thoroughly removed at certain intervals; this depends on the rate of accumulation of dirt, but should be carried out at least every 12 months. The unit must be blown out with dry compressed air at a maximum of 1 bar, or cleaned using a vacuum cleaner.

The screw connections (also the protective conductor connections) must be retightened each time that maintenance work is carried out on the SINAMICS DCM.

Please note the following when working with converter units featuring increased air cooling:

The bearings for the fans are designed for an operating period of 30000 hours. The fans must be replaced in good time to ensure the continued availability of the thyristor sets.

11.1 Upgrading software releases

This chapter describes how you can upgrade a drive – including STARTER project – from one software version to a higher software version (e.g. V1.1 to V1.2).

Basic information

The following steps are necessary:

- Upgrade the device software
 - Step 1: Backup the configuration
 - Step 2: Update the drive software (incl. the peripherals)
 - Step 3: Update the STARTER project
 - Step 4: Load into the target system, RAM to ROM
- Upgrade the DCC technology option (optional)
 - Step 5: Update the DCC technology option (DCBLIB) and the DCC charts
 - Step 6: Load into the target system, RAM to ROM

Note

A memory card is required to update the software (see Chapter "Ordering data for options and accessories").

When updating the software, always proceed as follows:

1. Software update of the drive
 - Insert the memory, then switch the electronic power supply OFF and ON again. The device firmware is now installed.
 - Switch the electronic power supply OFF and ON again. The device firmware just installed now powers up.
If neither a CBE20 nor DRIVE-CLIQ components are available, the drive is ready for operation.
However, if a CBE20 or DRIVE-CLIQ components or both are available, the firmware of these components is updated during the power-up of the device firmware. At the end of the power-up of the device firmware, the DRIVE-CLiQ components indicate that a restart is required through flashing red LEDs. Alarm A1006 also appears. Switch the electronic power supply OFF and ON again a third time.
 - If only a CBE20 is connected, there is no indication after the second OFF and ON that the CBE20 also requires a restart so that the CBE20 firmware installed in the above step is also started. However, a third OFF and ON of the electronic power supply is also required in this case.
2. Update the STARTER project
3. Load the converted STARTER project to the drive (load to the target device)

Do not proceed as follows:

1. Software update of the drive
2. Create a NEW STARTER project
3. Load into the PG

In this case, under certain circumstances, STARTER cannot assign the project to the correct drive version. If the STARTER project is not available, generate a new project with the old device version (load into the PG before the software update) and then proceed as normal.

11.1.1 Upgrading the unit software

Note

Hardware/software compatibility

The hardware version of the Control Unit (CUD) must be taken into account when updating the device software. See the table below.

The hardware version can be read from the label on the right-hand side of the CUD.

CUD (print on label)	Executable software versions
C98043-A7100-L1-... C98043-A7100-L2-... C98043-A7100-L100-... C98043-A7100-L200-...	1.1, 1.2, 1.3
C98043-A7100-L3-... C98043-A7100-L4-... C98043-A7100-L103-... C98043-A7100-L204-...	All versions
A5E...	All versions

Step 1: Backup the configuration

The drive parameter assignment is not lost while updating the software. Nevertheless, before starting the software update, backup the drive configuration:

- Backup the parameter assignment on a memory card (see Chapter "Functions of the memory card") and/or
- Backup the parameterization in a STARTER project (see Chapter "Commissioning using the STARTER commissioning tool")

Step 2: Software update of the drive

Notes:

Only those memory cards that Siemens has prepared for these systems are accepted. If the memory card is formatted, then this must always be realized with the FAT16 setting. Download the current software release: See preface

Procedure:

- Unzip the *.zip file to an empty memory card
- Insert the card in the drive, which has been switched-off, and switch the device on again. The firmware is updated. The update has been completed if the RDY-LED and the DP1-LED flash at 0.5 Hz (the update takes about 12 min).
- Carry out a POWER OFF. Remove the memory card from the drive.

NOTICE
If the memory card is not removed from the drive before the POWER ON, the parameterization in the drive is copied to the memory card during power-up, or a parameterization already on the card copied to the drive. For a detailed description of this function, see Chapter Memory card functions (Page 334), Section "Copying parameter data sets from non-volatile memory to the memory card".

- Carry out a POWER ON. The new software is now active.

If a memory card is already in the drive, the mechanism described in Chapter Memory card functions (Page 334), Section "Copying parameter data sets from non-volatile memory to the memory card" takes effect. During the first power up

- Connected TM modules or SMC30 perform a SW update. A POWER OFF / POWER ON of these components is required after the software update. The memory card no longer needs to be inserted for this step.
- An optionally connected AOP30 indicates that new AOP software is available. Confirm the prompt after the update with "OK".

Note

As a result of the device software update, DCC charts in the device are not automatically upgraded to the new DCC version. This is also not absolutely necessary. See also Step 5 (next chapter).

Note

The electronic power supply must not be interrupted during the update, otherwise the update will need to be restarted.

Note

To safely remove the memory card, see Chapter Memory card functions (Page 334)

Step 3: Update the STARTER project

Install the SSP that matches the new SW version (e.g. SSP SINAMICS DCM V1.2).

SSPs for different versions of the same drive can be simultaneously installed in STARTER.

Open the existing STARTER project (that refers to an old device version). Right-click the device in the project navigator and select "Target device" → "Device version...". Select the new device version and confirm with "Change version". The project is converted to the new device version.

Note

STARTER does not support a "downgrade" of the software version (e.g. V1.2 to V1.1).

Step 4: Load into the target system, RAM to ROM

Load the project into the drive (load into the target system) and permanently save the parameter assignment (carry out RAM to ROM).

11.1.2 Upgrading the DCC technology option**Step 5: Update the DCC technology option (DCBLIB) and the DCC charts**

It is not absolutely necessary to upgrade the DCC library. Only upgrade the DCC library if you wish to use functions that the old DCC library does not support.

It is only possible to upgrade the DCC library via the associated STARTER project. While upgrading, it is not permissible that there is a DCC chart in the drive.

After you have upgraded the unit software according to the previous chapter, update the DCC technology option as follows:

- Establish a connection to the drive using STARTER.
- Delete the parameter assignment and DCC charts in the drive, by setting p0976 to 200. After deleting, the parameterization including the DCC charts only exist in STARTER.

- After the system was reset via p0967=200, re-establish a connection to the drive via STARTER.
- Import the new DCC library (see Chapter "Drive Control Chart")

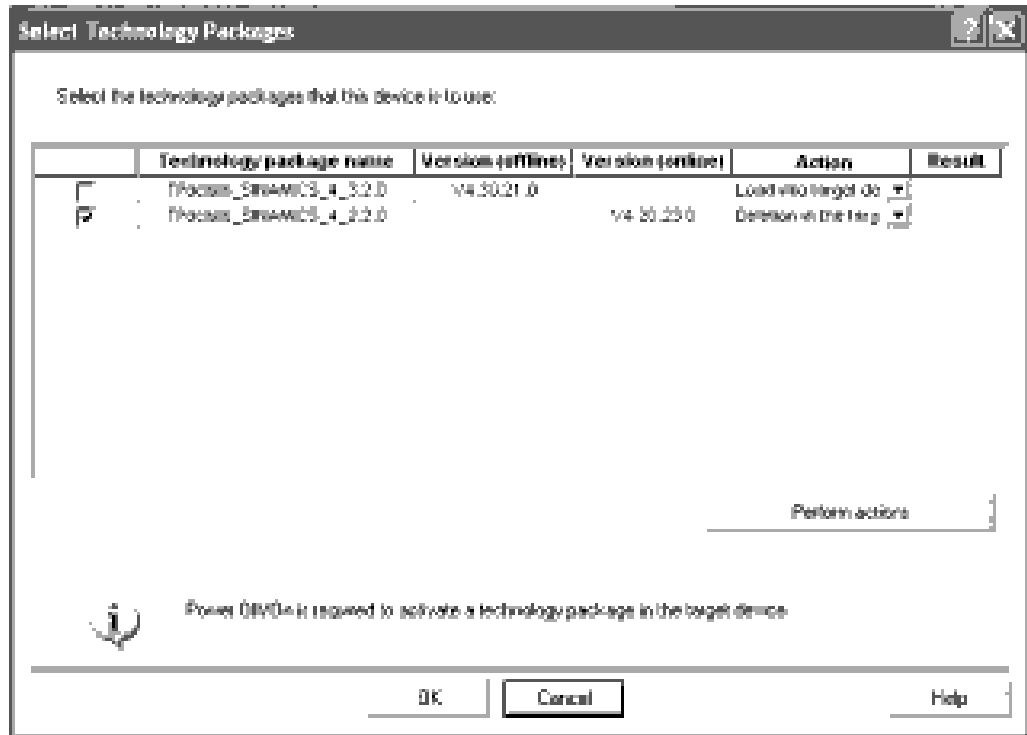


Figure 11-1 Selecting technology packages

- Carry out a POWER OFF / POWER ON to activate the new DCC library.

- Convert the existing DCC Charts
 - Open the DCC editor by double clicking on the DCC chart
 - In the DCC editor, in the menu, selection "Options" → "Block types..."
 - Answer the question "Do you wish to update the block types in the DCC editor" with "OK".

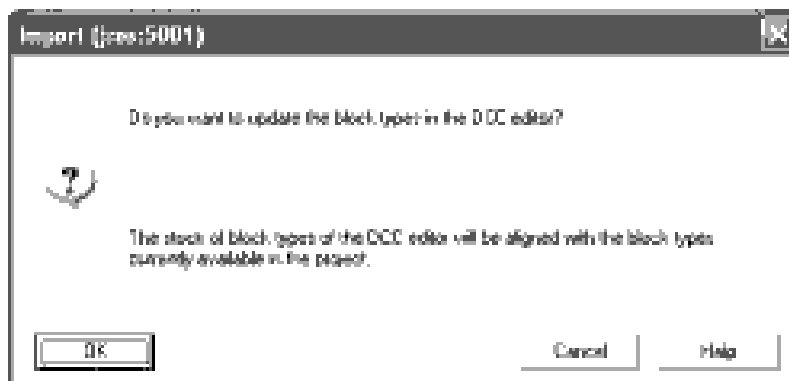


Figure 11-2 Importing the DCC library (1)

- Shift the DCC library, which appears in the "Libraries installed in Starter", to the right with ">>"

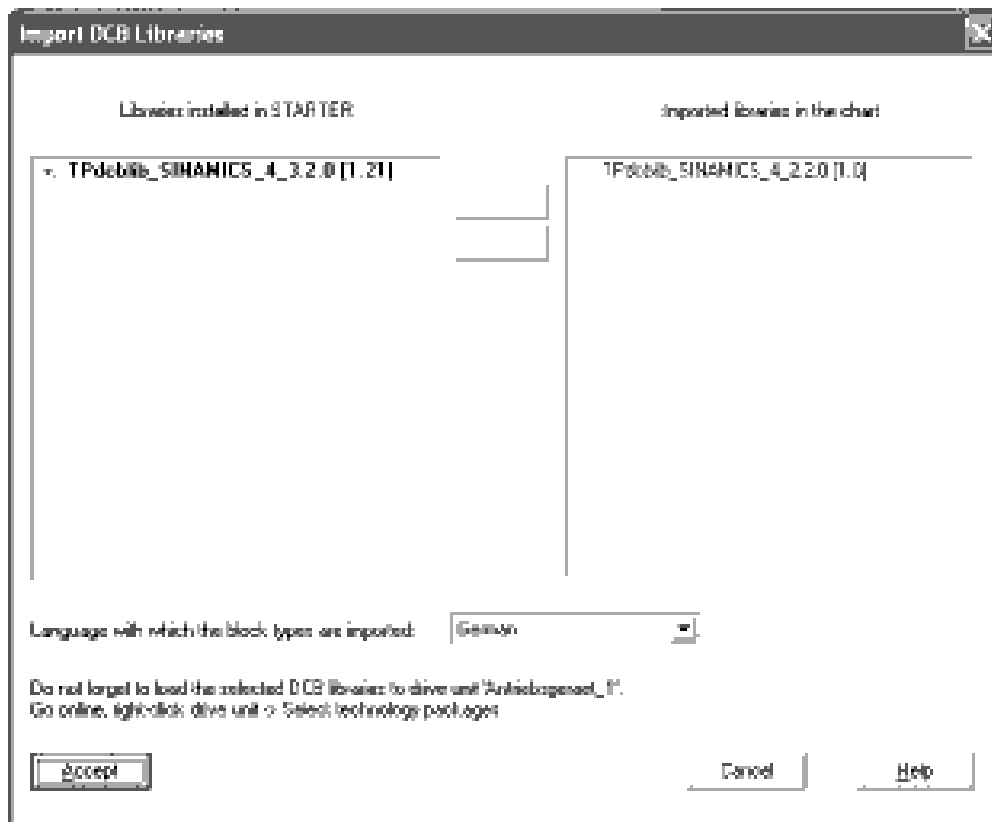


Figure 11-3 Importing the DCC library (2)

- Select "Accept"

- The chart is compiled into the new version
- Perform these steps for all DCC charts which are in the drive.

Step 6: Load into the target system, RAM to ROM

Load the project into the drive (load into the target system) to upgrade the charts in the drive to the new version and permanently save the parameter assignment (carry out RAM to ROM).

11.2 Replacing components

Note

Only authorized Siemens personnel are permitted to repair the power unit.

Exception: Fuses may also be changed by the customer.

11.2.1 Replacing the fan

 WARNING
--

The fan must only be replaced by qualified personnel.

The TSE capacitors continue to carry dangerous voltage levels following disconnection. For this reason, the device should not be opened until a reasonable period of time has elapsed.
--

Death, serious injury, or substantial material damage can result if these warnings are not taken into account.
--

 WARNING
--

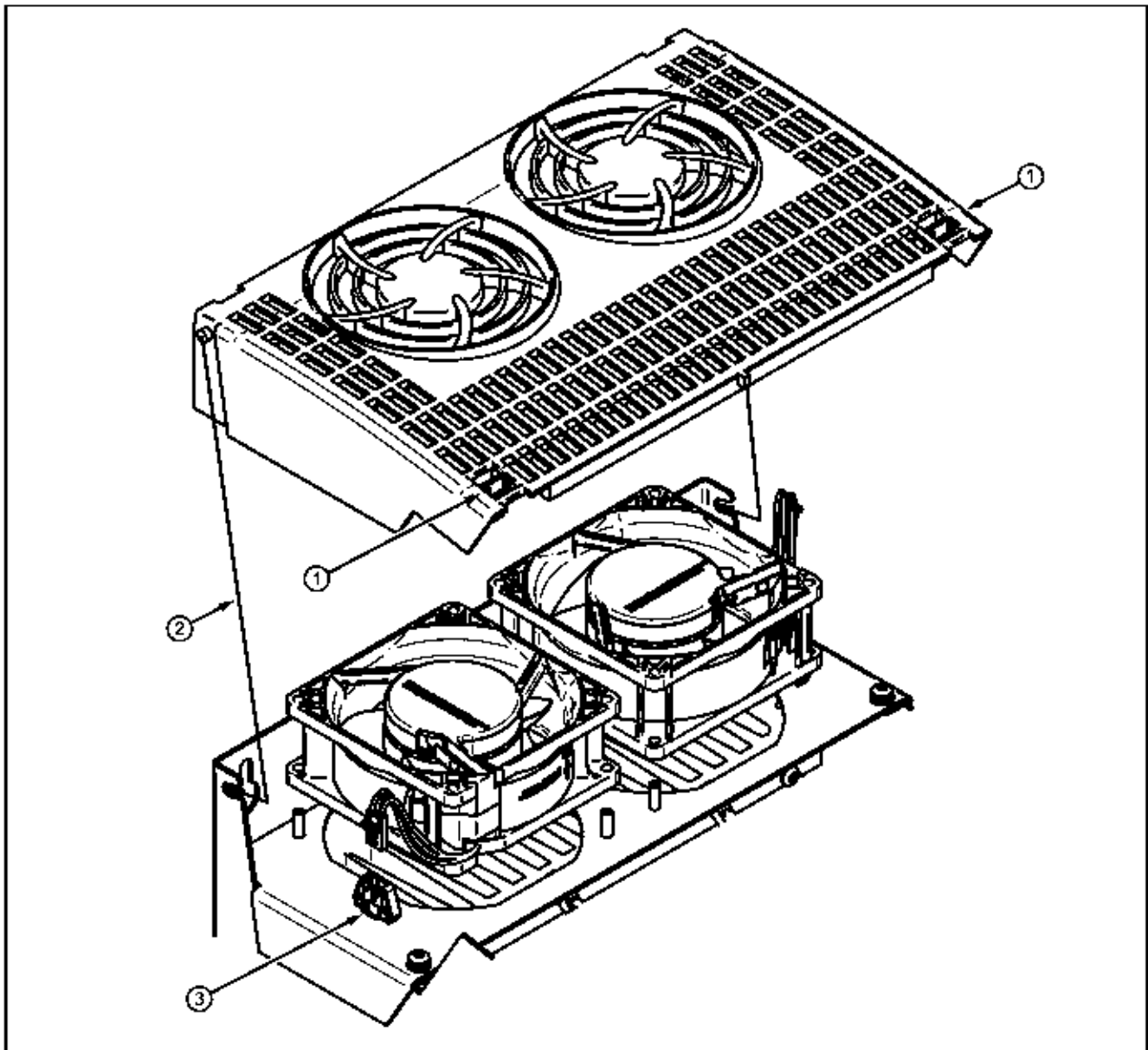
An incorrect phase sequence (counter-clockwise phase sequence = fan rotates the wrong way) may create a risk of the device overheating.

Check: If the fan rotor rotates in a counter-clockwise direction (to the left) when viewed from above, then the direction of rotation is correct.

Notice: Risk of injury due to rotating parts.

The recommendation to replace the fan is displayed in the form of alarm A60165, refer to Chapter 10, Section "Operating hours counter, device fan".

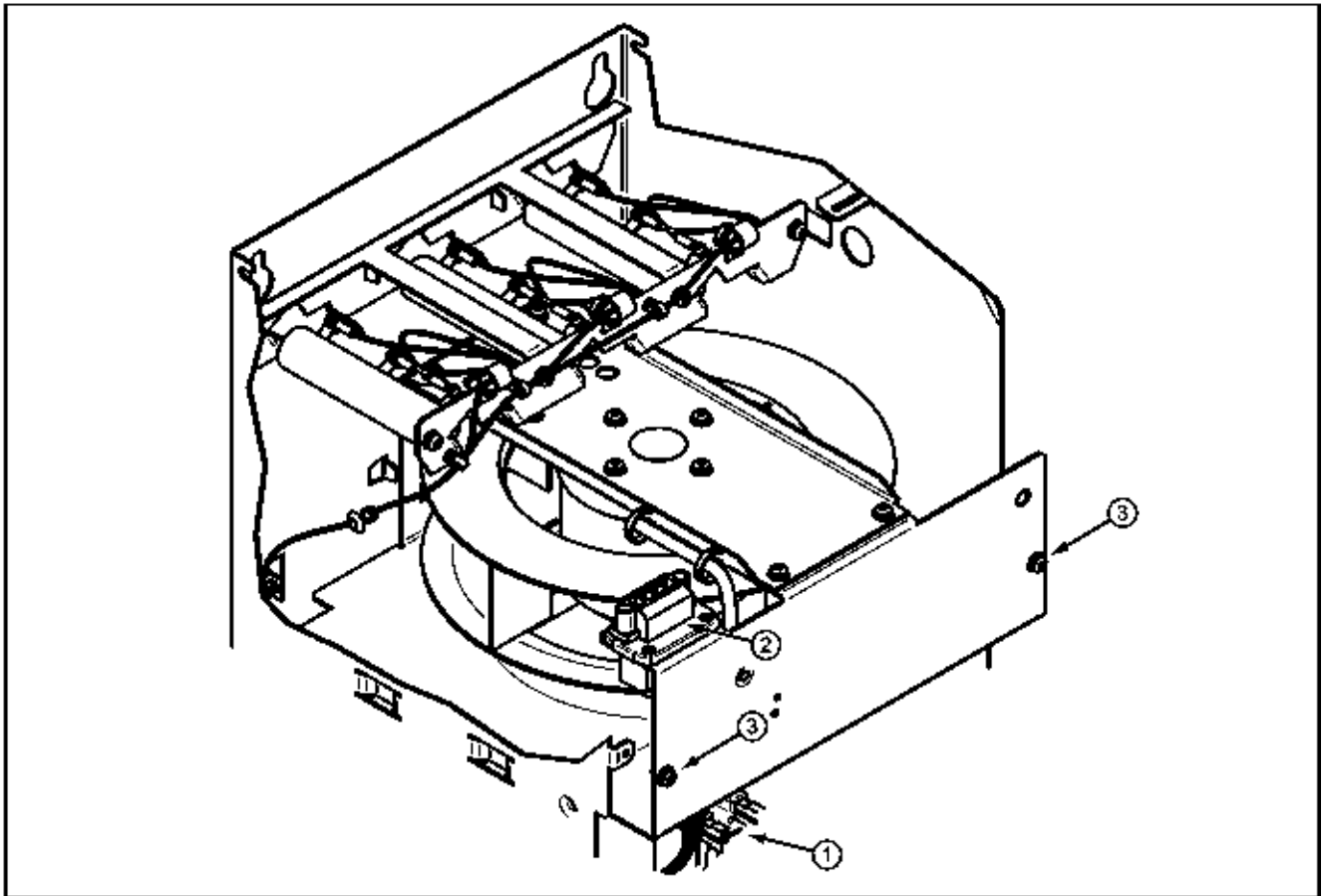
Replacing fans in 210 to 280 A devices



- Unlatch the fan cover at the top left and right ①.
- Tilt the fan cover around 30° and pull it out towards you ②.
- Disconnect the fan connector ③.
- Replace the fans.
- Make sure you install the new fans in the correct position:
The air must be blown upwards (see the arrow on the fan enclosure).
- Reconnect the fan connector and replace the fan cover.

Figure 11-4 Replacing fans in 210 - 280 A devices

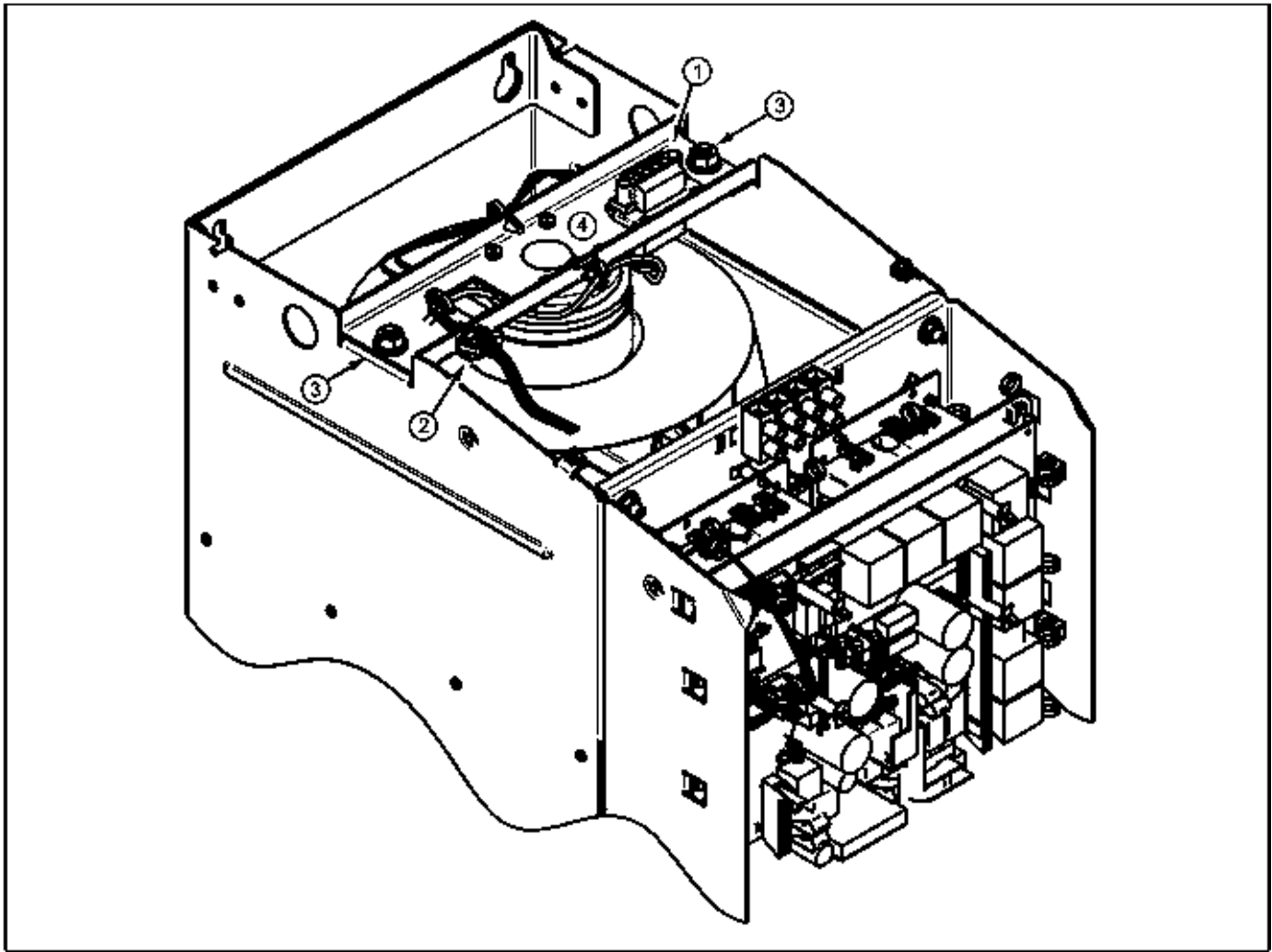
Replacing fans in 400 to 850 A devices



- Remove the front cover of the SINAMICS DC MASTER.
- Disconnect the fan-sensor connector ①.
- Disconnect the connector for the fan's power supply ②.
- Release the screws ③ (tool: Torx T20 screwdriver).
- Pull the slide-in fan unit out towards you.
- Insert a new fan module and screw it in place (tightening torque 1.5 Nm), reconnect the connectors, and replace the front cover.

Figure 11-5 Replacing fans in 400 - 850 A devices

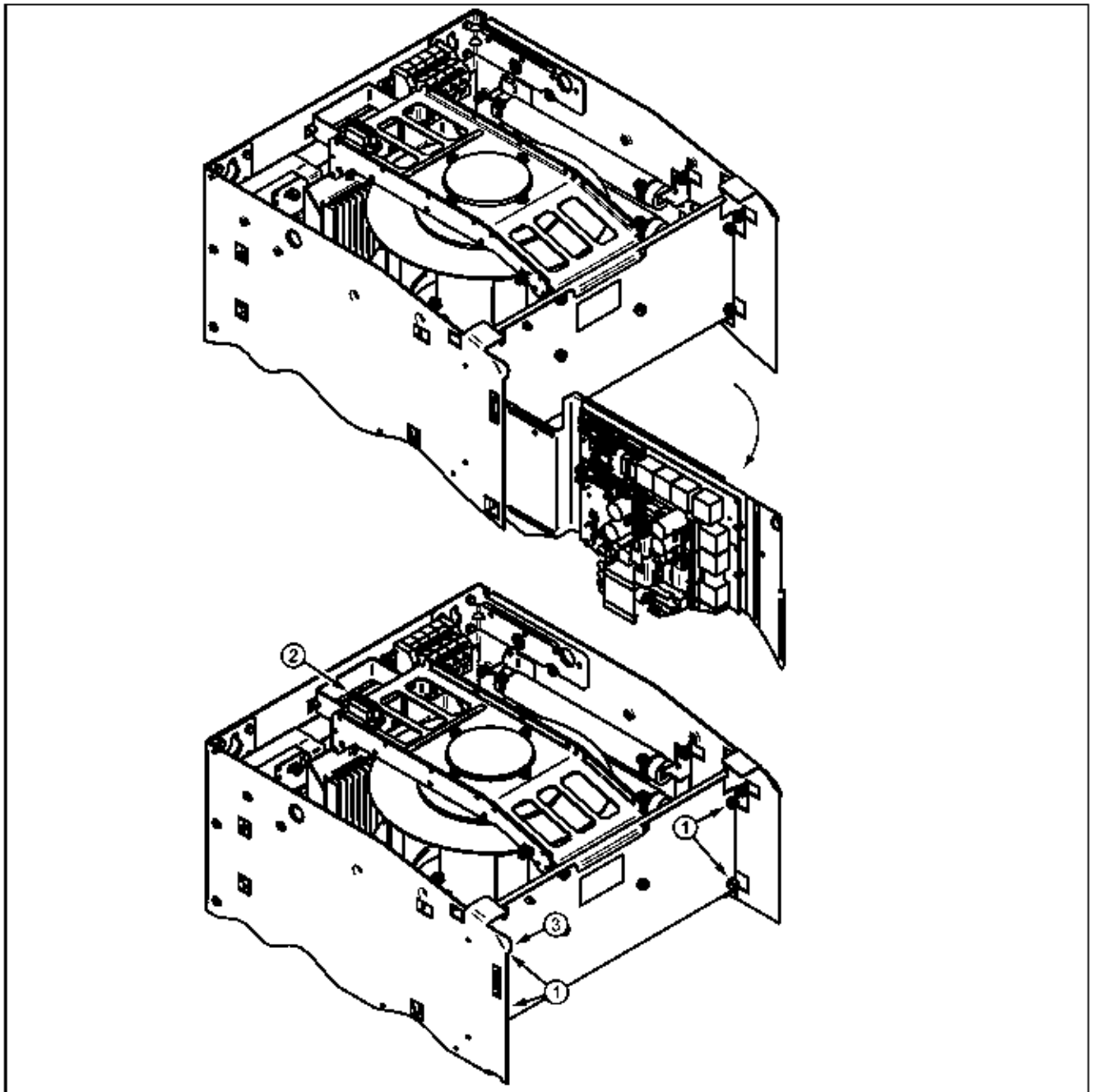
Replacing fans in 1,200 A devices



- Remove the front cover and cover at the top of the SINAMICS DC MASTER.
- Disconnect the fan connector ① and fan monitoring equipment ②.
- Release the nuts ③.
- Lift out the fan together with the fan stay.
- Install the new fan in the inverse sequence, tightening torque for the nuts ③ = 15 Nm

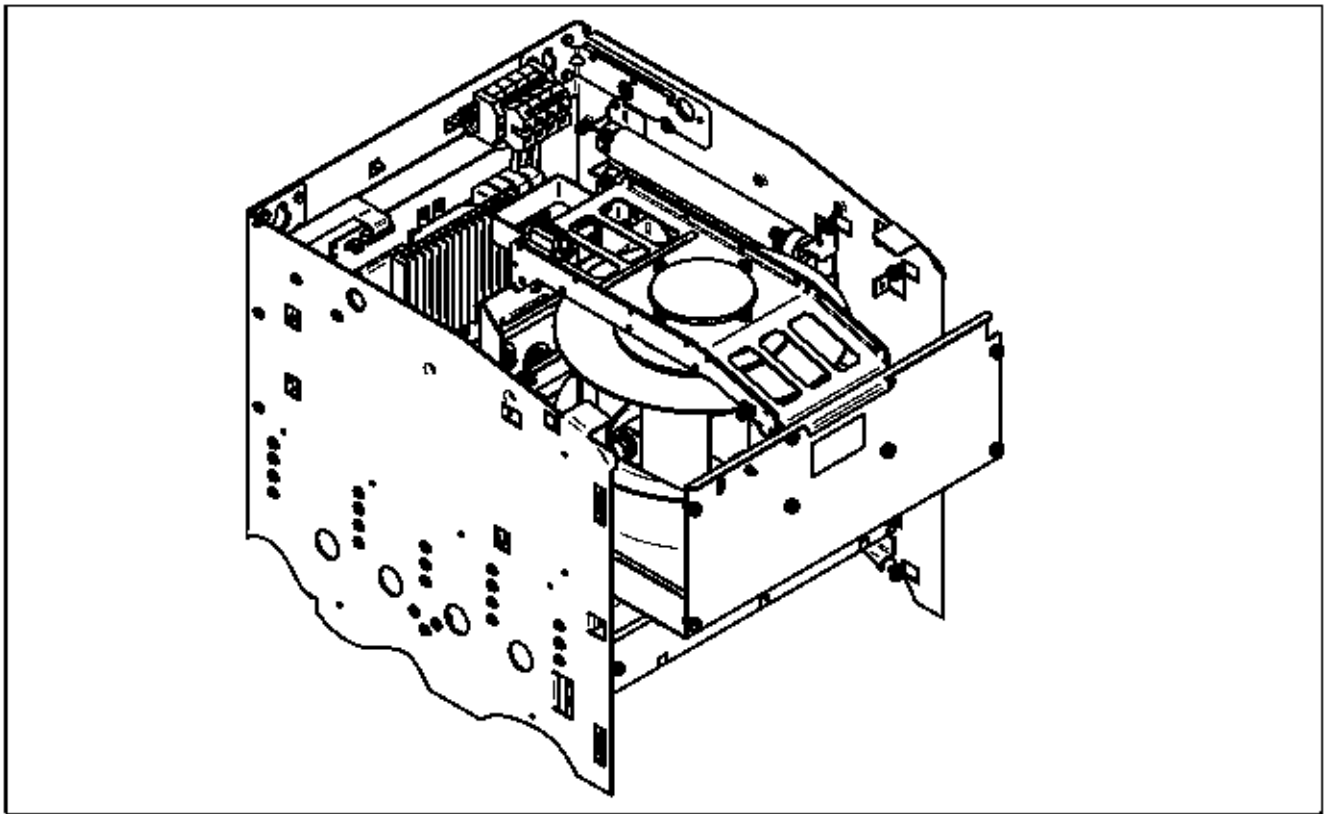
Figure 11-6 Replacing fans in 1,200 A devices

Replacing fans in 1,500 to 3,000 A devices



- Remove the front plate and cover at the top of the device.
- Release the support plate for the electronics and swing it out.
- Release the fixing screws for the slide-in fan unit ①.
- Disconnect the fan connector ② and fan monitoring equipment (3-pin) ③.

Figure 11-7 Replacing fans in 1,500 - 3,000 A devices (1)



- Pull the slide-in fan unit out towards you.
- Insert the new fan module and screw into place, tightening torque = 6 Nm
- Re-insert the connector.
- Swivel back the support plate for the electronics and screw into place, tightening torque = 3 Nm
- Re-attach the front plate and the top cover.

Figure 11-8 Replacing fans in 1,500 - 3,000 A devices (2)

11.2.2 Replacing fuses

Note

Every time a fuse blows, all of the arm fuses must be replaced.

For units >850 A, as described here, these are the fuses installed in the unit.

For units \leq 850 A, these are the externally installed fuses.

Replacing fuses for 900 A to 1200 A units

The fuses are accessible from the front after removing the front cover and swiveling the support plate for the electronics out of the way. The fuses are fixed with 2 hex screws each ① (width across flats 16). Tightening torque 25 Nm.

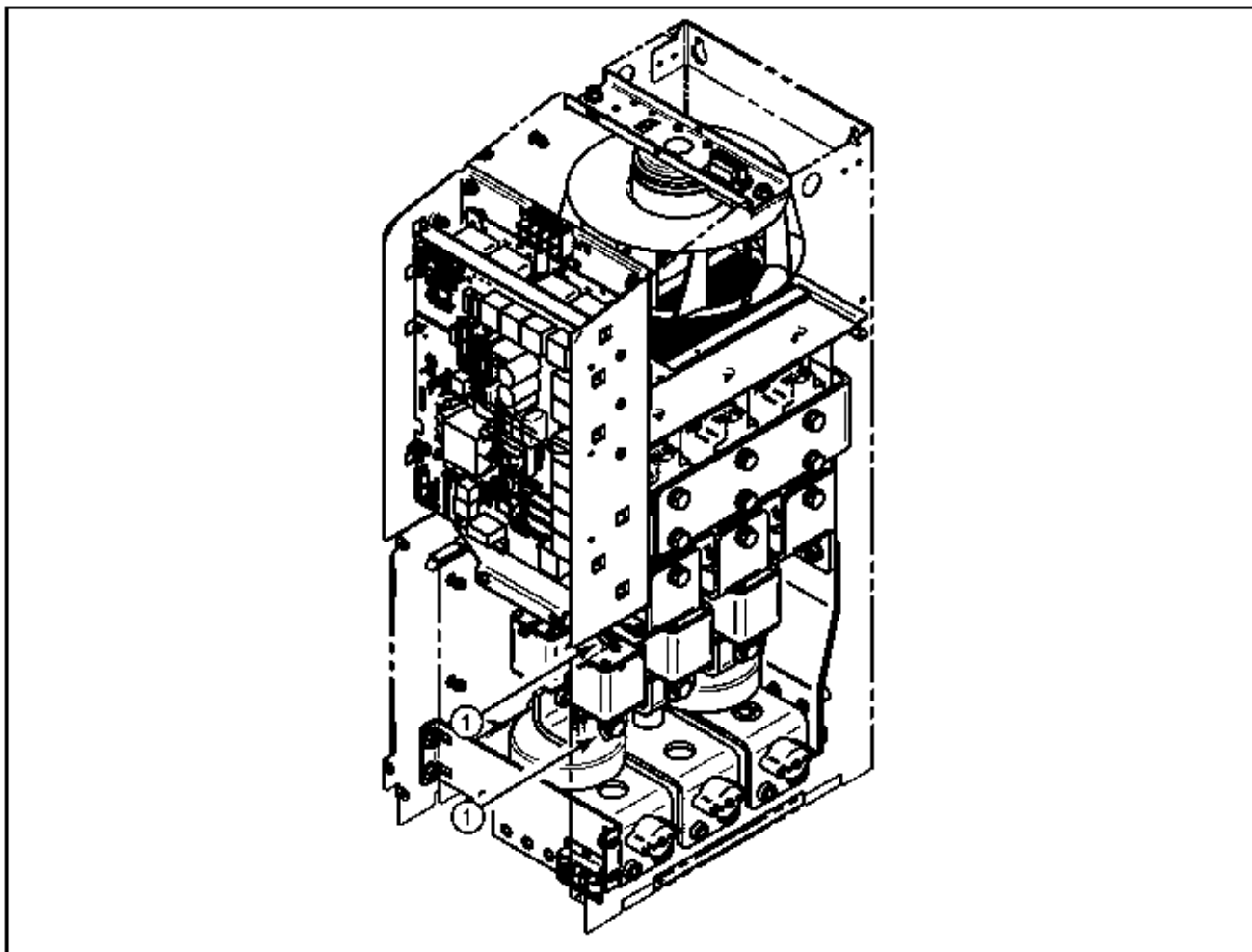


Figure 11-9 Replacing fuses for 900A to 1200 A units

Replacing fuses for 1500 A to 3000 A units

The fuses are accessible after removing the front cover and withdrawing the fan module (see the previous chapter). Each fuse is fixed with 2 hex screws. Tightening torque 25 Nm.

When installing the fuses, observe the following:

- Install the fuses with the same alignment as the fuses to be replaced. The rupture indicator of the fuses in the left-hand and right-hand series must point towards the center of the unit.
- The fixing screws have different lengths. Re-use the screws at the same position.

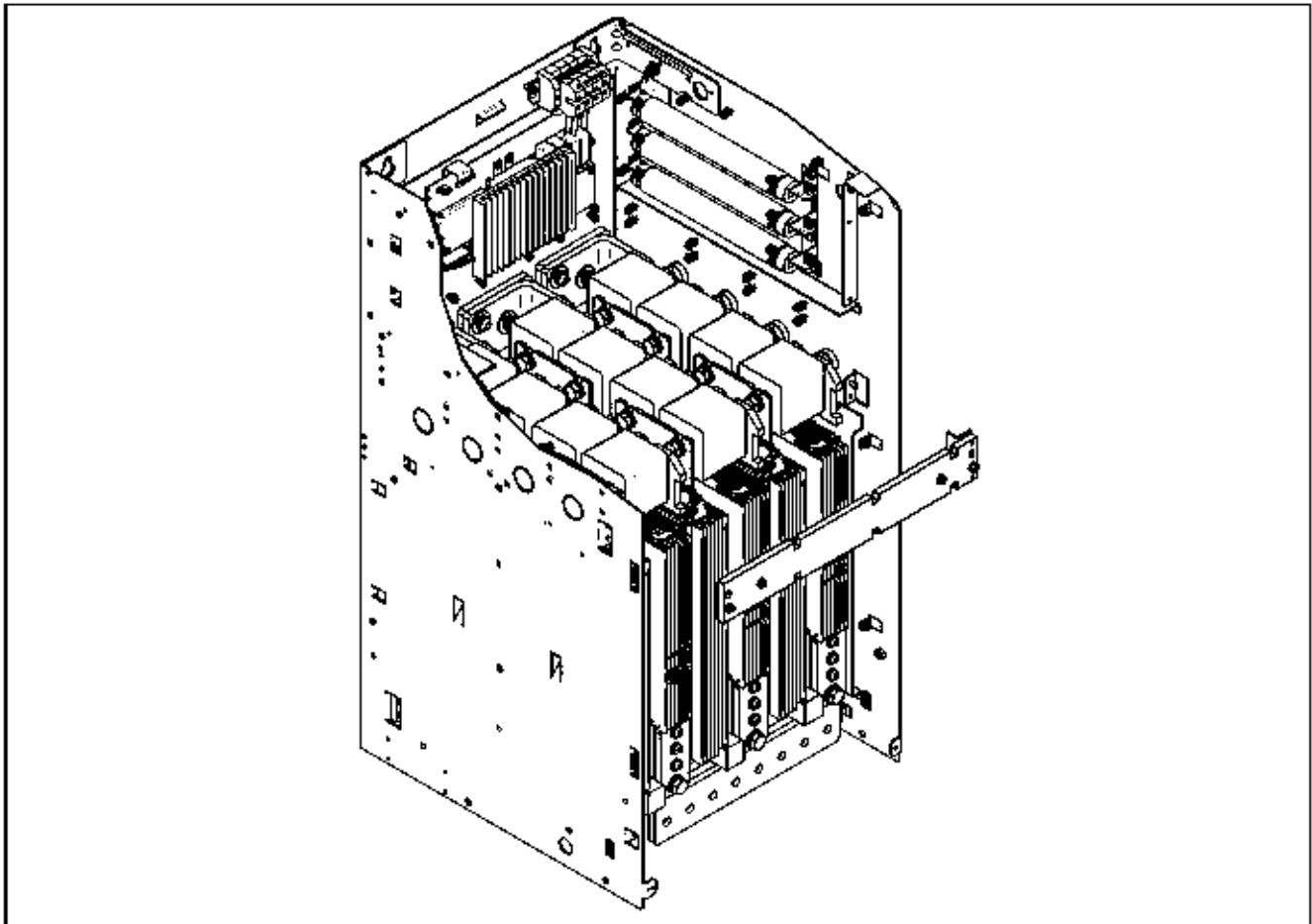


Figure 11-10 Replacing fuses for 1500A to 3000 A units

11.2.3 Replacing the CUD

 WARNING

Qualified personnel

The CUD must only be replaced by qualified personnel.

The TSE capacitors continue to carry dangerous voltage levels following disconnection. For this reason, the device should not be opened until a reasonable period of time has elapsed.

Death, serious injury, or substantial material damage can result if these warnings are not taken into account.

Note

The information regarding electrostatic sensitive devices must be carefully observed. See ESD-sensitive components (Page 22).

Note

Use the supplied protective cover

The module is equipped on both sides with highly sensitive components that can be damaged if installed incorrectly.

It is therefore essential that you use the supplied mounting aid (protective cover) when installing or removing the CUD.

Required tools

Torx screwdrivers TX10 (CUD) and TX20/TX30 (front cover).

Removing the existing CUD

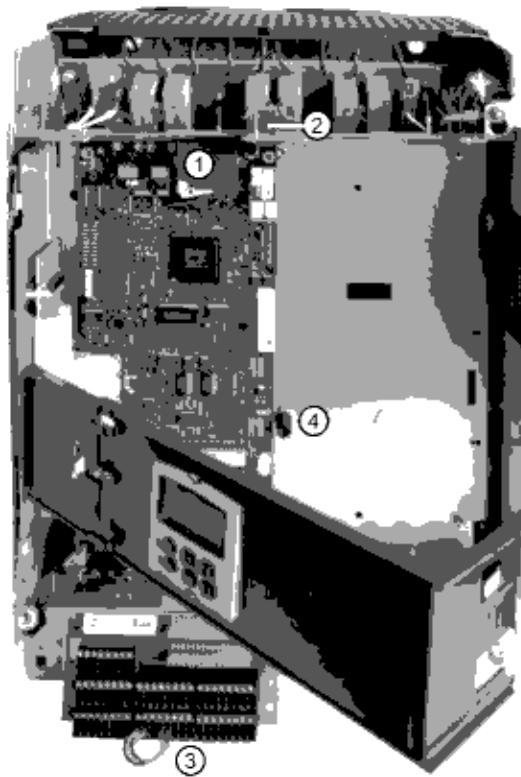


Figure 11-11 CUD replacement 1

- Remove the memory card ①.
- Remove the shield clamp ②.
- Remove the Connector Board ③. The connection wires remain in the terminals.
- If a CBE20 is present: Unplug the PROFINET cable.
- Disconnect all plug-in connections on the CUD.
- Remove the support element ④ (only present in standard CUD).
- Loosen the fixing screws of the CUD.
- Insert the supplied mounting aid.
- Withdraw the CUD carefully.

After removing the screws and before pulling out the CUD, the module must be raised slightly and the supplied mounting aid (protective cover) inserted between the CUD and the assembly bolts in order to prevent any damage to the CUD to be replaced.

There are sensitive components on the rear of the CUD that may be torn off or damaged by coming into contact with the assembly bolts when pulling the CUD out without the mounting aid.

Installing the CUD

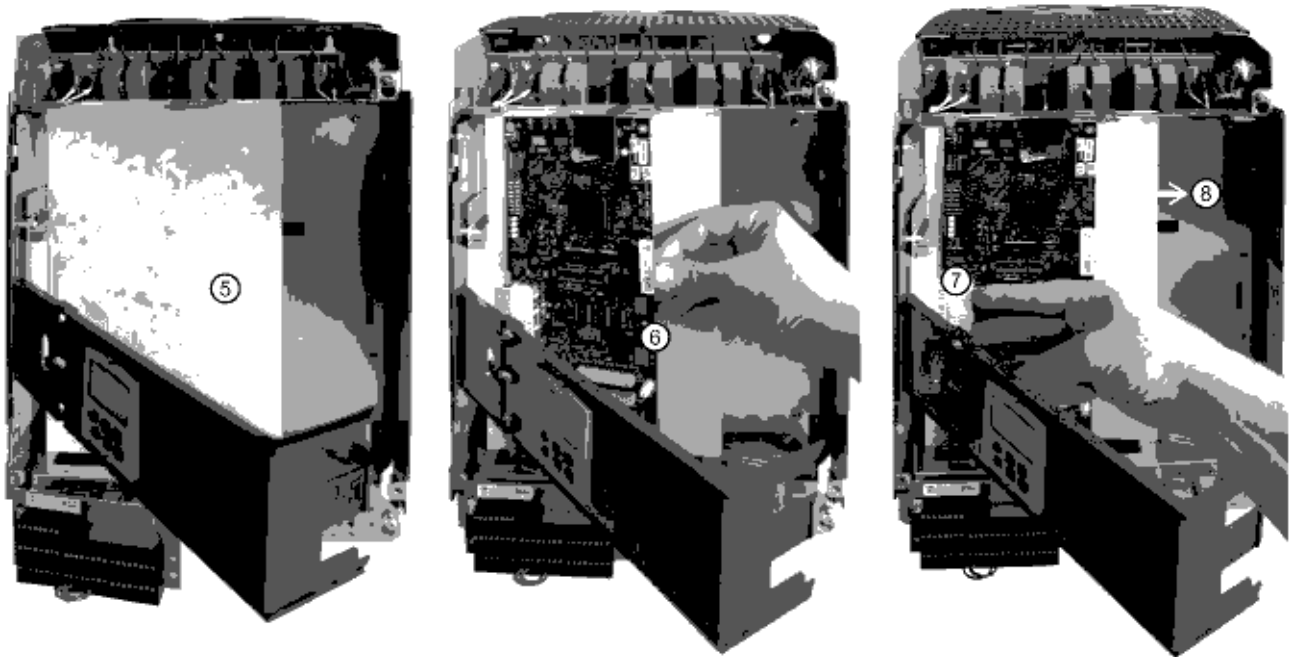


Figure 11-12 CUD replacement 2

- Insert the protective cover ⑤ so that the mounting sockets below it are covered.
- Hold the new CUD at an angle of 10° to 15° at the connector and parallel to the side wall ⑥.
- Press the CUD onto the terminal strip ⑦.
- Pull out the mounting aid ⑧.
- Screw the CUD tight and attach all the components again that were removed from the old CUD. Reconnect the connections.

Replacement/installation of a CUD in the right slot

A CUD is installed in the right slot in the same way as in the left slot.

For simple handling, it is recommended that you swing out the electronics plate slightly.

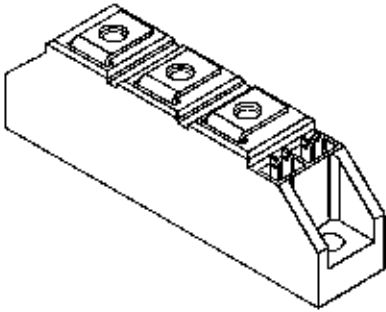
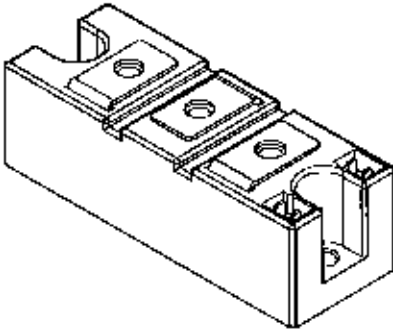
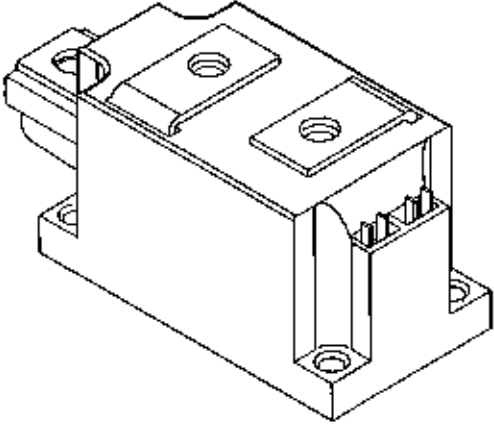
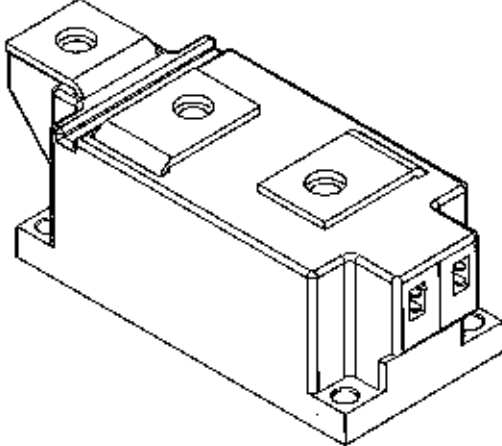
Make sure that the mounting sockets are covered by the mounting aid.

11.2.4 Replacement of diodes and thyristor modules on devices up to 1200 A

The diode and thyristor modules are fixed using metric ISO screws. During replacement, the contact surfaces on the heat sink must be cleaned and a new thermal paste applied to the thyristor module. When screwing the module together with the heat sink, the busbars and modules, the original screws and locking elements (washer and clamping ring) can be used.

Note

Apply a very thin layer of thermal paste evenly to the modules so that the base plate shines through!

Module design	
<p>60 A</p>  <p>Tightening torque, module: 3 Nm Tightening torque of the power supply connections: 5 Nm</p>	 <p>Tightening torque, module: 5 Nm Tightening torque of the power supply connections: 5 Nm</p>
<p>90 A - 210 A</p>  <p>Tightening torque, module: 5 Nm Tightening torque of the power supply connections: 12 Nm</p>	 <p>Tightening torque, module: 6 Nm Tightening torque of the power supply connections: 12 Nm</p>

11.3 Replacing the back-up battery in the AOP30 operator panel

Table 11- 1 Technical specifications of the backup battery

Type	CR2032 3 V lithium battery
Manufacturer	Maxell, Sony, Panasonic
Nominal capacity	220 mAh
Self-discharge at 20 °C	1 %/year
Service life (in backup mode)	> 1 year at 70 °C; >1.5 years at 20 °C
Service life (during operation)	> 2 years

Replacement

1. Disconnect the SINAMICS DCM from the power supply
2. Open the cabinet.
3. Disconnect the 24 V DC power supply and communications line on the operator panel.
4. Open the cover of the battery compartment.
5. Remove the old battery.
6. Insert the new battery.
7. Close the cover of the battery compartment.
8. Reconnect the 24 V DC power supply and communications line.
9. Close the cabinet.

Note

The battery must be replaced within one minute to ensure that no AOP settings are lost.



Figure 11-13 Replacing the backup battery for the cabinet operator panel

Note

The battery must be disposed of in accordance with the manufacturer guidelines and applicable country-specific laws and directives.

12.1 Using SINAMICS DCM in shipbuilding

When using SINAMICS DCM in shipbuilding, the following points must be observed:

- Radio interference suppression filters must be used in the armature circuit and in the field circuit (see Chapter 6)
- EMC-compliant design according to Chapter 6
- Use coated modules (option M08). See the ordering data for options and accessories in Chapter 2.

12.2 Connecting an incremental encoder

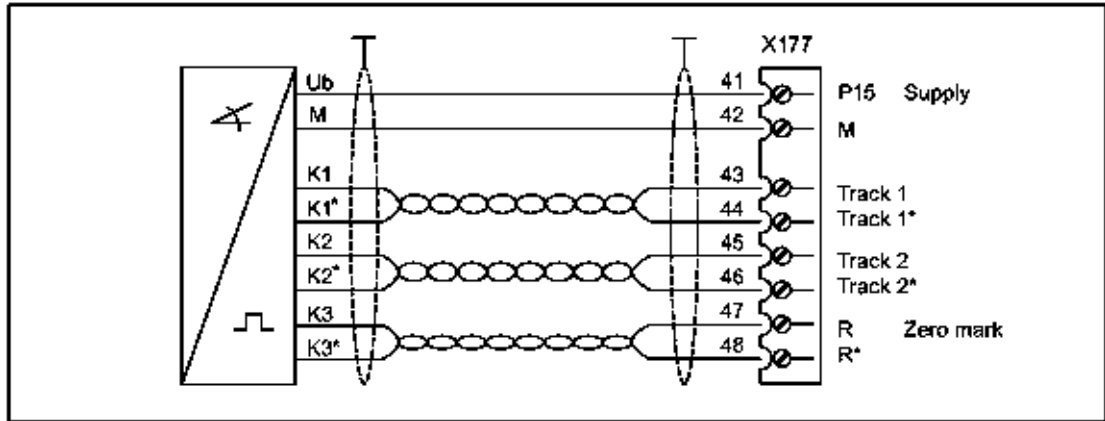
Note

Because the physical transmission media is more robust, the bipolar connection should always be used. The unipolar connection should only be used if the encoder type does not output push-pull signals.

Note

The technical data of the incremental encoder inputs (X177.41 to 48) and further information on how to connect an incremental encoder are given in Chapter 6.

HTL encoder, bipolar, with zero signal



Improved protection against induced interference is achieved by twisting the signal lines in pairs.

Figure 12-1 Bipolar incremental encoder

HTL encoder, bipolar, with zero signal

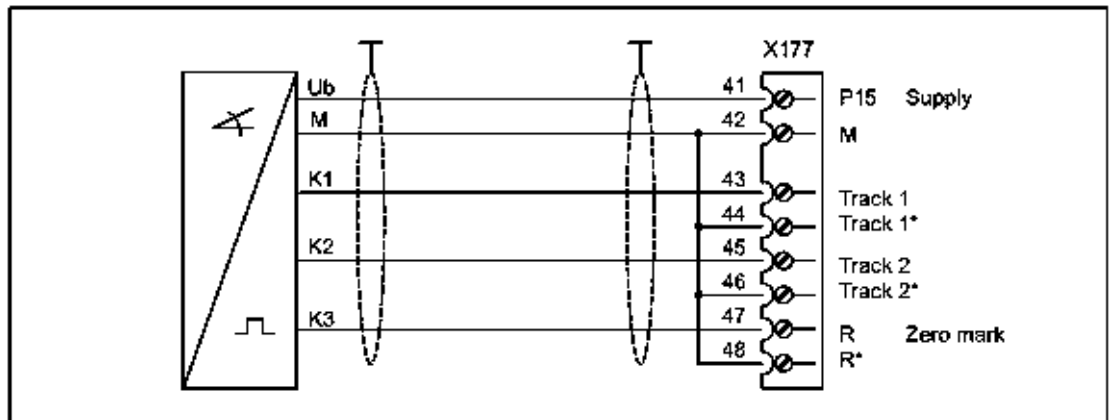


Figure 12-2 Unipolar incremental encoder

12.3 Use of the SINAMICS DCM in galvanizing and dip-painting plants

2Q devices are used when using the SINAMICS DCM in galvanizing, dip-painting or similar plants.

2Q devices have a thyristor bridge in B6 circuit. In this power unit topology, the output voltage of the SINAMICS DCM is partly negative for firing angles between 60° and 120° . In order to ensure that no negative voltages are present at the load, i.e. at the galvanizing and paint tanks, an external freewheeling diode is usually installed on the DC side for these applications. This is not part of the SINAMICS DCM, but rather is installed in the control cabinet.

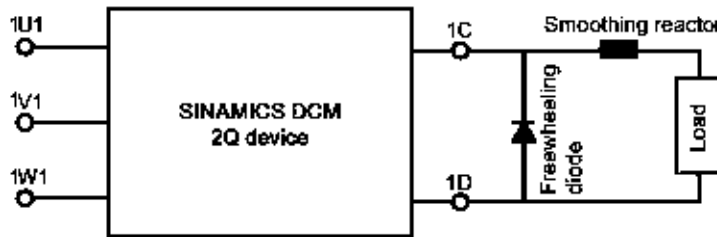


Figure 12-3 SINAMICS DCM, 2Q device with external freewheeling diode

Make sure that in this case, the current actual value sensing in the converter only measures part of the load current, i.e. the current through the converter, **not** the freewheeling current.

This means that the SINAMICS DCM cannot control the load current.

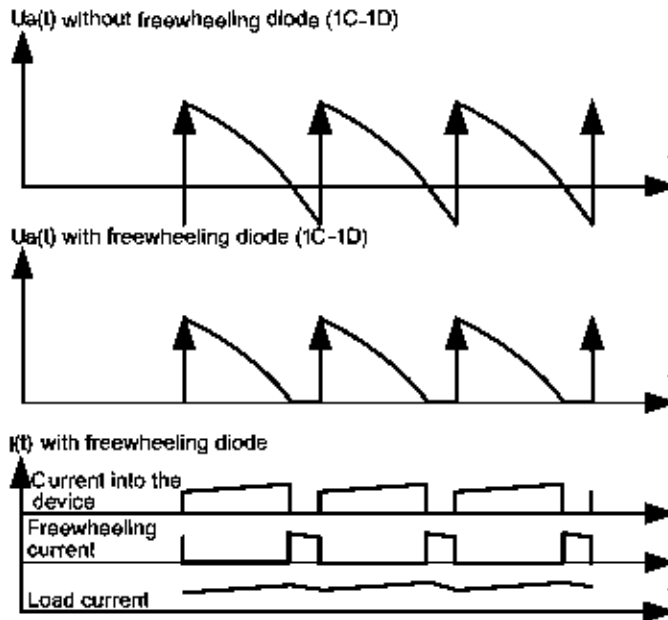


Figure 12-4 Voltage and current curves

In order to be able to control the load current, it is recommended that an external actual current sensing circuit be used for these applications. Whereby, the entire load current (including the freewheeling current) is measured via an external shunt.

The shunt voltage must be increased via an external shunt converter and then led to the SINAMICS DCM via an analog input. See function diagram 6850, column 2.

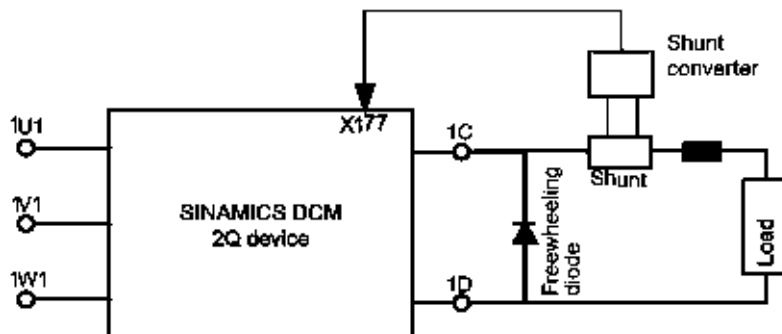


Figure 12-5 SINAMICS DCM with external current actual value sensing

Parameter

p51852	Selection of external current actual value sensing
p51853	Scaling of external current actual value sensing

Appendix A

A.1 Certifications and standards

Certifications

Development, production, sales:

ISO 9001:2008	Quality management
ISO 14001:2004	Environmental management

Devices:

UL, cULus		File No. E203250 ¹⁾
EAC		
Germanischer Lloyd	Shipbuilding ²⁾	11787-10HH
Lloyd's Register	Shipbuilding ²⁾	No. 06/20053
American Bureau of Shipping	Shipbuilding ²⁾	06-HG196689-1-PDA
Det Norske Veritas	Shipbuilding ²⁾	No. E-10357 (DC converters) No. E-10358 (Control Module)

Communication:

PROFIBUS slave (DP-V0, DP-V1, PROFIdrive 3.1.2)
PROFINET IO devices (V 2.2.4, PROFIdrive 4.1)

- 1) UL online certifications directory:
<http://database.ul.com/cgi-bin/XYV/template/LISEXT/1FRAME/index.htm>
- 2) In order to maintain the limit values decisive for certification for marine applications, the prerequisites as listed in chapter "Using SINAMICS DCM in shipbuilding (Page 673)" must be observed.

Korean Certification (KC)

Type of Equipment	User's Guide
A급 기기 (업무용 방송통신기자재)	이 기기는 업무용(A급) 전자파적합기기로서 판매자 또는 사용자는 이 점을 주의하사기 바라며, 가정외의 지역에서 사용하는 것을 목적으로 합니다.
Class A Equipment (Industrial Broadcasting & Communication Equipment)	This equipment is Industrial (Class A) electromagnetic wave suitability equipment and seller or user should take notice of it, and this equipment is to be used in the places except for home.

The EMC limit values to be complied with for Korea correspond to the limit values of the EMC product standard for variable-speed electric drives EN 61800-3, category C2 or limit value class A1 according to EN55011.

With suitable additional measures, the limit values according to category C2 or according to limit value class A1 are maintained.

To do this, an additional radio interference suppression filter (EMC filter) must be used and the converters must be installed in the control cabinet in compliance with EMC rules.

The appropriate radio interference suppression filters (for the field and armature circuits) for the SINAMICS DC MASTER are listed in Catalog D23.1.

Additional notes are provided there as well as technical data and constraints regarding the use of radio interference suppression filters, such as:

- The use in grounded line supplies
- And the mandatory use of a commutating reactor

Detailed information about the basics of EMC and EMC-compliant design of drives can be found in the Chapter "Connecting up".

Basic standards

EN 50178	Electronic equipment for use in power installations
EN 50274	Low-voltage switchgear and controlgear assemblies: Protection against electric shock - Protection against unintentional direct contact with hazardous live parts
EN 60146-1-1	Semiconductor converters; General requirements and line-commutated converters; specification of basic requirements
EN 61800-1	Adjustable speed electrical power drive systems - General requirements - Rating specifications for low voltage adjustable speed DC power drive systems
EN 61800-3	Adjustable speed electrical power drive systems - Part 3: EMC product standard including specific test methods
EN 61800-5-1	Adjustable speed electrical power drive systems – Part 5-1: Safety requirements – Electrical, thermal, and energy
EN 60204-1	Safety of machinery - Electrical equipment of machines - Part 1: General requirements
UBC 97	Uniform Building Code

Reference standards

SN 29500-1	Component failure rates: Anticipated values, general
SN 36350-1	Environmentally compatible products, Part 1: Product design guidelines
SN 27095	Inspection and testing of switchgear and control equipment for marine engineering
ISO 3740	Determination of sound power levels of noise sources: Guidelines for the use of basic standards

Country-specific standards

NEMA	National Electrical Manufacturers Association
UL 508 C	Power Conversion Equipment
UL 840	Insulation Coordination Including Clearances and Creepage Distances for Electrical Equipment
UL 94	Tests for Flammability of Plastic Materials for Parts in Devices and Appliances

A.2 List of abbreviations

Note

The following list of abbreviations includes all abbreviations and their meanings used in the entire SINAMICS user documentation.

Abbreviation	Meaning, German	Meaning, English
A		
A...	Warnung	Alarm
AC	Wechselstrom	Alternating Current
ADC	Analog-Digital-Konverter	Analog Digital Converter
AI	Analogeingang	Analog Input
AIM	Active Interface Module	Active Interface Module
ALM	Active Line Module	Active Line Module
AO	Analogausgang	Analog Output
AOP	Advanced Operator Panel	Advanced Operator Panel
APC	Advanced Positioning Control	Advanced Positioning Control
ASC	Ankerkurzschluss	Armature Short-Circuit
ASCII	Amerikanische Code-Norm für den Informationsaustausch	American Standard Code for Information Interchange
ASM	Asynchronmotor	Induction motor
B		
BB	Betriebsbedingung	Operating condition
BERO	Firmenname für einen Näherungsschalter	Tradename for a type of proximity switch
BI	Binektoreingang	Binector Input
BIA	Berufsgenossenschaftliches Institut für Arbeitssicherheit	German Institute for Occupational Safety
BICO	Binektor-Konnektor-Technologie	Binector Connector Technology
BLM	Basic Line Module	Basic Line Module
BOP	Basic Operator Panel	Basic Operator Panel
C		
C	Kapazität	Capacitance
C...	Safety-Meldung	Safety message
CAN	Seriellles Bussystem	Controller Area Network
CBC	Kommunikationsbaugruppe CAN	Communication Board CAN
CD	Compact Disc	Compact Disc
CDS	Befehlsdatensatz	Command Data Set
CF	CompactFlash	CompactFlash
CI	Konnektoreingang	Connector Input
CNC	Computerunterstützte numerische Steuerung	Computer Numerical Control
CO	Konnektorausgang	Connector Output

Abbreviation	Meaning, German	Meaning, English
CO/BO	Konnektor-/Binectorausgang	Connector Output/Binector Output
COB-ID	CAN Object-Identification	CAN Object-Identification
COM	Mittelkontakt eines Wechselkontaktes	Common contact of a change-over relay
CP	Kommunikationsprozessor	Communications Processor
CPU	Zentrale Recheneinheit	Central Processing Unit
CRC	Checksummenprüfung	Cyclic Redundancy Check
CSM	Control Supply Module	Control Supply Module
CU	Control Unit	Control Unit
D		
DAC	Digital-Analog-Konverter	Digital Analog Converter
DC	Gleichstrom	Direct Current
DCB	Drive Control Block	Drive Control Block
DCC	Drive Control Chart	Drive Control Chart
DCN	Gleichstrom negativ	Direct Current Negative
DCP	Gleichstrom positiv	Direct Current Positive
DDS	Antriebsdatensatz	Drive Data Set
DI	Digitaleingang	Digital Input
DI/DO	Digitaleingang/-ausgang bidirektional	Bidirectional Digital Input/Output
DMC	DRIVE-CLiQ Module Cabinet (Hub)	DRIVE-CLiQ Module Cabinet (Hub)
DO	Digitalausgang	Digital Output
DO	Antriebsobjekt	Drive Object
DP	Dezentrale Peripherie	Decentralized Peripherals (Distributed I/Os)
DPRAM	Speicher mit beidseitigem Zugriff	Dual-Port Random Access Memory
DRAM	Dynamischer Speicher	Dynamic Random Access Memory
DRIVE-CLiQ	Drive Component Link with IQ	Drive Component Link with IQ
DSC	Dynamic Servo Control	Dynamic Servo Control
D		
EASC	Externer Ankerkurzschluss	External Armature Short-Circuit
EDS	Geberdatensatz	Encoder Data Set
EGB	Elektrostatisch gefährdete Baugruppen	Electrostatic Sensitive Devices (ESD)
ELP	Erdschlussüberwachung	Earth Leakage Protection
EMK	Elektromagnetische Kraft	Electromagnetic Force (EMF)
EMV	Elektromagnetische Verträglichkeit	Electromagnetic Compatibility (EMC)
EN	Europäische Norm	European Standard
EnDat	Geber-Schnittstelle	Encoder-Data-Interface
EP	Impulsfreigabe	Enable Pulses
EPOS	Einfachpositionierer	Basic positioner
ES	Engineering System	Engineering System
ESB	Ersatzschaltbild	Equivalent circuit diagram
ESR	Erweitertes Stillsetzen und Rückziehen	Extended Stop and Retract
F		

Abbreviation	Meaning, German	Meaning, English
F...	Störung	Fault
FAQ	Häufig gestellte Fragen	Frequently Asked Questions
FBL	Freie Funktionsblöcke	Free Blocks
FCC	Function Control Chart	Function Control Chart
FCC	Flussstromregelung	Flux Current Control
F-DI	Fehlersicherer Digitaleingang	Failsafe Digital Input
F-DO	Fehlersicherer Digitalausgang	Failsafe Digital Output
FEM	Fremderregter Synchronmotor	Separately excited synchronous motor
FEPROM	Schreib- und Lesespeicher nichtflüchtig	Flash-EPROM
FG	Funktionsgenerator	Function Generator
FI	Fehlerstrom-Schutzschalter	Earth Leakage Circuit-Breaker (ELCB)
FP	Funktionsplan	Function diagram
FPGA	Field Programmable Gate Array	Field Programmable Gate Array
FW	Firmware	Firmware
G		
GB	Gigabyte	Gigabyte
GC	Global-Control-Telegramm (Broadcast-Telegramm)	Global Control Telegram (Broadcast Telegram)
GSD	Gerätstammdatei: beschreibt die Merkmale eines PROFIBUS-Slaves	Device master file: describes the features of a PROFIBUS slave
GSV	Gate Supply Voltage	Gate Supply Voltage
GUID	Globally Unique Identifier	Globally Unique Identifier
H		
HF	Hochfrequenz	High Frequency
HFD	Hochfrequenzdrossel	High frequency reactor
HLG	Hochlaufgeber	Ramp-function generator
HMI	Mensch-Maschine-Schnittstelle	Human Machine Interface
HTL	Logik mit hoher Störschwelle	High-Threshold Logic
HW	Hardware	Hardware
I		
i. V.	In Vorbereitung: diese Eigenschaft steht zur Zeit nicht zur Verfügung	In preparation: this feature is currently not available
I/O	Eingang/Ausgang	Input/Output
IASC	Interner Ankerkurzschluss	Internal Armature Short-Circuit
IBN	Commissioning	Commissioning
ID	Identifizierung	Identifier
IEC	Internationale Norm in der Elektrotechnik	International Electrotechnical Commission
IF	Interface	Interface
IGBT	Bipolartransistor mit isolierter Steuerelektrode	Insulated Gate Bipolar Transistor
IL	Impulslöschung	Pulse suppression
IPO	Interpolatortakt	Interpolator clock
IT	Drehstromversorgungsnetz ungeerdet	Insulated three-phase supply network
IVP	Interner Spannungsschutz	Internal Voltage Protection

Abbreviation	Meaning, German	Meaning, English
J		
JOG	Tippen	Jogging
K		
KDV	Kreuzweiser Datenvergleich	Data cross-checking
KIP	Kinetische Pufferung	Kinetic buffering
Kp	Proportionalverstärkung	Proportional gain
KTY	Spezieller Temperatursensor	Special temperature sensor
L		
L	Induktivität	Inductance
LED	Leuchtdiode	Light Emitting Diode
LIN	Linearmotor	Linear motor
LR	Lageregler	Position controller
LSB	Niederwertiges Bit	Least Significant Bit
LSS	Netzschalter	Line Side Switch
LU	Längeneinheit	Length Unit
LWL	Lichtwellenleiter	Fiber-optic cable
M		
M	Masse	Reference potential, zero potential
MB	Megabyte	Megabyte
MCC	Motion Control Chart	Motion Control Chart
MDS	Motordatensatz	Motor Data Set
MLFB	Maschinenlesbare Fabrikatebezeichnung	Machine-readable product designation
MMC	Mensch-Maschine-Kommunikation	Man-Machine Communication
MSB	Höchstwertiges Bit	Most Significant Bit
MSCY_C1	Zyklische Kommunikation zwischen Master (Klasse 1) und Slave	Master Slave Cycle Class 1
MSC	Motorstromrichter	Motor power converter
MT	Messtaster	Measuring probe
N		
N. C.	Nicht angeschlossen	Not Connected
N...	Keine Meldung oder Interne Meldung	No Report
NAMUR	Normenarbeitsgemeinschaft für Mess- und Regeltechnik in der chemischen Industrie	Standardization association for instrumentation and control in the chemical industry
NC	Öffner	Normally Closed (contact)
NC	Numerische Steuerung	Numerical Control
NEMA	Normengremium in USA (United States of America)	National Electrical Manufacturers Association
NM	Nullmarke	Zero Mark
NO	Schließer	Normally Open (contact)
NSR	Netzstromrichter	Line power converter
O		
OA	Open Architecture	Open Architecture
OEM	Original Equipment Manufacturer	Original Equipment Manufacturer

Abbreviation	Meaning, German	Meaning, English
OLP	Busstecker für Lichtleiter	Optical Link Plug
OMI	Option Module Interface	Option Module Interface
P		
p...	Einstellparameter	Adjustable parameter
PB	PROFIBUS	PROFIBUS
PcCtrl	Steuerungshoheit	Master Control
PD	PROFIdrive	PROFIdrive
PDS	Leistungsteildatensatz	Power Unit Data Set
PE	Schutzerde	Protective Earth
PELV	Schutzkleinspannung	Protective Extra Low Voltage
PEM	Permanenterregter Synchronmotor	Permanent-magnet synchronous motor
PG	Programmiergerät	Programming terminal
PI	Proportional Integral	Proportional Integral
PID	Proportional Integral Differential	Proportional Integral Differential
PLC	Speicherprogrammierbare Steuerung (SPS)	Programmable Logic Controller (PLC)
PLL	Phase Locked Loop	Phase Locked Loop
PNO	PROFIBUS Nutzerorganisation	PROFIBUS user organization
PPI	Punkt zu Punkt Schnittstelle	Point to Point Interface
PRBS	Weißes Rauschen	Pseudo Random Binary Signal
PROFIBUS	Serieller Datenbus	Process Field Bus
PS	Stromversorgung	Power Supply
PSA	Power Stack Adapter	Power Stack Adapter
PTC	Positiver Temperaturkoeffizient	Positive Temperature Coefficient
PTP	Punkt zu Punkt	Point-To-Point
PWM	Pulsweitenmodulation	Pulse Width Modulation
PZD	PROFIBUS Prozessdaten	PROFIBUS process data
R		
r...	Beobachtungsparameter (nur lesbar)	Display parameter (read only)
RAM	Speicher zum Lesen und Schreiben	Random Access Memory
RCCB	Fehlerstrom-Schutzschalter	Residual Current Circuit Breaker
RCD	Fehlerstrom-Schutzschalter	Residual Current Device
RJ45	Norm. Beschreibt eine 8-polige Steckverbindung mit Twisted-Pair Ethernet.	Standard. Describes an 8-pole plug connector with twisted pair Ethernet.
RKA	Rückkühlanlage	Recooling system
RO	Nur lesbar	Read Only
RPDO	Receive Process Data Object	Receive Process Data Object
RS232	Serielle Schnittstelle	Serial Interface
RS485	Norm. Beschreibt die Physik einer digitalen seriellen Schnittstelle.	Standard. Describes the physical characteristics of a digital serial interface.
RTC	Echtzeituhr	Real Time Clock
RZA	Raumzeigerapproximation	Space vector approximation (SVA)
S		

Abbreviation	Meaning, German	Meaning, English
S1	Dauerbetrieb	Continuous operation
S3	Aussetzbetrieb	Periodic duty
SBC	Sichere Bremsenansteuerung	Safe Brake Control
SBH	Sicherer Betriebshalt	Safe Operating Stop
SBR	Sichere Beschleunigungsüberwachung	Safe Acceleration Monitor
SCA	Sichere Nocke	Safe Cam
SE	Sicherer Software-Endschalter	Safe software limit switch
SG	Sicher reduzierte Geschwindigkeit	Safely reduced speed
SGA	Sicherheitsgerichteter Ausgang	Safety-related output
SGE	Sicherheitsgerichteter Eingang	Safety-related input
SH	Sicherer Halt	Safety standstill
SI	Safety Integrated	Safety Integrated
SIL	Sicherheitsintegritätsgrad	Safety Integrity Level
SLM	Smart Line Module	Smart Line Module
SLP	Sicher begrenzte Position	Safely Limited Position
SLS	Sicher begrenzte Geschwindigkeit	Safely Limited Speed
SLVC	Geberlose Vektorregelung	Sensorless Vector Control
SM	Sensor Module	Sensor Module
SMC	Sensor Module Cabinet	Sensor Module Cabinet
SME	Sensor Module External	Sensor Module External
SN	Sicherer Software-Nocken	Safe software cam
SOS	Sicherer Betriebshalt	Safe Operating Stop
SPC	Sollwertkanal	Setpoint Channel
SPS	Speicherprogrammierbare Steuerung	Programmable Logic Controller (PLC)
SS1	Sicherer Stop 1	Safe Stop 1
SS2	Sicherer Stop 2	Safe Stop 2
SSI	Synchron Serielle Schnittstelle	Synchronous Serial Interface
SSM	Sichere Rückmeldung der Geschwindigkeitsüberwachung ($n < nx$)	Safe Speed Monitor
SSR	Sichere Bremsrampe	Safe Stop Ramp
STO	Sicher abgeschaltetes Moment	Safe Torque Off
STW	PROFIBUS Steuerwort	PROFIBUS control word
T		
TB	Terminal Board	Terminal Board
TIA	Totally Integrated Automation	Totally Integrated Automation
TM	Terminal Module	Terminal Module
TN	Drehstromversorgungsnetz geerdet	Grounded three-phase supply network
Tn	Nachstellzeit	Integral time
TPDO	Transmit Process Data Object	Transmit Process Data Object
TT	Drehstromversorgungsnetz geerdet	Grounded three-phase supply network
TTL	Transistor-Transistor-Logik	Transistor-Transistor Logic
Tv	Vorhaltezeit	Derivative-action time

Appendix A

A.2 List of abbreviations

Abbreviation	Meaning, German	Meaning, English
U		
UL	Underwriters Laboratories Inc.	Underwriters Laboratories Inc.
USV	Unterbrechungsfreie Stromversorgung	Uninterruptible Power Supply (UPS)
V		
VC	Vektorregelung	Vector Control
Vdc	Zwischenkreisspannung	DC link voltage
VdcN	Teilzwischenkreisspannung negativ	Partial DC link voltage negative
VdcP	Teilzwischenkreisspannung positiv	Partial DC link voltage positive
VDE	Verband Deutscher Elektrotechniker	Association of German Electrical Engineers
VDI	Verein Deutscher Ingenieure	Association of German Engineers
Vpp	Volt Spitze zu Spitze	Volt peak to peak
VSM	Voltage Sensing Module	Voltage Sensing Module
W		
WEA	Wiedereinschaltautomatik	Automatic restart
WZM	Werkzeugmaschine	Machine tool
X		
XML	Erweiterbare Auszeichnungssprache (Standardsprache für Web-Publishing und Dokumentenmanagement)	Extensible Markup Language
Z		
ZK	Zwischenkreis	DC Link
ZSW	PROFIBUS Zustandswort	PROFIBUS status word

Abbreviations, DC-specific terms

Abbreviation	Meaning
2Q	2 quadrant
4Q	4 quadrant
IR	Initial rounding
FR	Final rounding
CUD	Control Unit DC
RUT	Rampup time
Ia	Actual armature current value
IAlimit	Current limit
If	Actual field current value
ILG	Current at critical conduction
In	Rated current
Kp	P gain
La	Armature circuit inductance
Mlimit	Torque limit
Mact	Actual torque value
n	Speed
nact	Actual speed value
nmin	Minimum speed
NN	Normal zero
nsetp	Speed setpoint
Ra	Armature circuit resistance
RDT	Ramp-down time
Tn	Integral time
Tu	Ambient temperature
Ua	Armature voltage
Uf	Field voltage
ULine	Line voltage
USS	Universal serial interface
SICROWBAR	Overvoltage protection

A.3 Environmental compatibility

Environmental aspects during development

The use of highly-integrated components has enabled the number of parts to be kept to a minimum, with energy being used as efficiently as possible during production as a result.

Particular emphasis has been placed on ensuring that the metal and plastic parts have a low volume and low weight, and that the number of different types is kept to a minimum.

Front parts:	PC + ABS	Bayblend	Bayer
Plastic parts in the device:	PC	Lexan 915-R	
Insulation materials:	PC (FR) fl	Makrolon or Lexan	
Rating plate:	Polyester film		

Pollutant-free materials have been used for all significant parts. Insulation materials containing silicone are not used. Materials containing halogens are only present to a slight extent (cable insulation in the SINAMICS DCM Control Module).

All materials meet ROHS criteria.

Environmental compatibility was a key criterion in selecting supplier parts.

Environmental aspects during production

The packaging material can be recycled and consists mainly of cardboard.

With the exception of the enclosure, no surface coatings have been used.

The production processes do not produce any emissions.

Environmental aspects for disposal



Disposal guidelines

Packaging and packaging aids can be recycled and should always be recycled.

The product itself should not be disposed of via the domestic waste.

The device features screw-in and snap-in connections that can be easily released in order to separate it into different mechanical components for recycling purposes.

The printed circuit boards may be used in recycling processes involving energy recovery. The proportion of components containing hazardous substances is low.

A.4 Servicing

Repairs

If you wish to have a part or unit repaired, please get in touch with your regional contact for repairs.

Service calls

Qualified personnel can perform repair work on your devices and offer services that ensure their availability. This work can be carried out with charges that are scaled according to the amount of time and work involved, or at a flat rate as part of a contract. Services whose charges depend on the amount of time and work involved are performed within the normal working hours for the region and with an appropriate response time.

You can get in touch with your regional contact if you wish to have any services carried out.

Note

We would be grateful if you could specify the following device data when you have any queries:

- Device article number and serial number
 - Software version
 - Hardware version of the electronics module CUD (printed on the component side)
 - Hardware version and software version of additional modules (if used)
-

Appendix B

B.1 Runtimes of the DCC blocks for SINAMICS DCM

The typical runtimes of the DCC blocks (in μs) are listed in the following table.

Table B- 1 DCC blocks on the SINAMICS DCM

Designation	Function	Typ. runtime	Group
ADD	Adder (REAL type)	8	Arithmetic
ADD_D	Adder (double integer type)	7	
ADD_I	Adder (integer type)	7	
ADD_M	Modulo adder for addition in correct axis cycle	8	
AVA	Absolute value generator with sign evaluation	6	
AVA_D	Absolute value generator (double integer)	6	
DIV	Divider (REAL type)	9	
DIV_D	Divider (double integer type)	7	
DIV_I	Divider (integer type)	7	
MAS	Maximum evaluator	7	
MIS	Minimum evaluator	8	
MUL	Multiplier	7	
MUL_D	Multiplier (double integer type)	7	
MUL_I	Multiplier (integer type)	7	
PLI20	Polyline, 20 break points	9	
SII	Inverter	6	
SUB	Subtractor	6	
SUB_D	Subtractor (double integer type)	6	
SUB_I	Subtractor (integer type)	5	
DEL	Dead zone element	6	
DEZ	Dead zone element	6	
DIF	Derivative-action element	7	
DT1	Smoothing element	8	
INT	Integrator	8	
LIM	Limiter (REAL type)	6	
LIM_D	Limiter (DOUBLE type)	6	
MVS	Sliding-type mean value generator	8	
PC	P controller	9	
PIC	PI controller	10	
PT1	Delay element	7	

Designation	Function	Typ. runtime	Group
RGE	Ramp-function generator	12	Conversion
RGJ	Ramp-function generator with jerk limiting	78	
BY_W	Status byte to status word converter	14	
B_DW	Converter 32 binary variables to status double word	10	
B_W	Converter 16 binary variables to status word	6	
DW_B	Converter status double word to 32 binary variables	6	
DW_R	Accepting bit string as real value	5	
DW_W	Status double word to status word converter	6	
D_I	DOUBLE INTEGER to INTEGER converter	6	
D_R	DOUBLE INTEGER to REAL converter	7	
D_UI	DOUBLE INTEGER to UNSIGNED INTEGER converter	6	
D_US	DOUBLE INTEGER to UNSIGNED SHORT INTEGER converter	6	
I_D	INTEGER to DOUBLE INTEGER converter	6	
I_R	INTEGER to REAL converter	6	
I_UD	INTEGER to UNSIGNED DOUBLE INTEGER converter	6	
I_US	INTEGER to UNSIGNED SHORT INTEGER converter	6	
N2_R	Converting 16-bit fixed-point format (N2) to REAL	7	
N4_R	Converting 32-bit fixed-point format (N4) to REAL	6	
R_D	REAL to DOUBLE INTEGER converter	6	
R_DW	Bit string transfer as WORD	6	
R_I	REAL to INTEGER converter	6	
R_N2	Converting REAL to 16-bit fixed-point format (N2)	6	
R_N4	Converting REAL to 32-bit fixed-point format (N4)	6	
R_UD	REAL to UNSIGNED DOUBLE INTEGER converter	6	
R_UI	REAL to UNSIGNED INTEGER converter	6	
R_US	REAL to UNSIGNED SHORT INTEGER converter	5	
UD_I	INTEGER DOUBLE INTEGER to INTEGER converter	5	
UD_R	UNSIGNED DOUBLE INTEGER to REAL converter	6	
UI_D	UNSIGNED INTEGER to DOUBLE INTEGER converter	6	
UI_R	UNSIGNED INTEGER to REAL converter	6	

Designation	Function	Typ. runtime	Group
US_D	UNSIGNED-SHORT-INTEGER to DOUBLE INTEGER converter	6	
US_I	UNSIGNED-SHORT-INTEGER to INTEGER converter	5	
US_R	UNSIGNED-SHORT-INTEGER to REAL converter	5	
W_B	Converter, status word to 16 binary variables	5	
W_BY	Status word to status byte converter	5	
W_DW	Status word to status double word converter	6	
AND	BOOL type	7	Logic
BF	Flash function BOOL	12	
BSW	Binary change-over switch (BOOL type)	5	
CNM	Controllable numeric memory (REAL type)	6	
CNM_D	Controllable numeric memory (double integer type)	6	
CNM_I	Controllable numeric memory (integer type)	6	
CTR	Counter (BOOL type)	7	
DFR	Reset-dominant D-type flip-flop (BOOL type)	6	
DLB	Delay element (REAL type)	7	
DX8	Demultiplexer, 8 outputs, (REAL type)	6	
DX8_D	Demultiplexer, 8 outputs, (DOUBLE INTEGER type)	14	
DX8_I	Demultiplexer, 8 outputs, (INTEGER type)	13	
ETE	Edge evaluator (BOOL type)	6	
LVM	Double-sided limit monitor with hysteresis (BOOL type)	7	
MFP	Pulse generator (BOOL type)	6	
MUX8	Multiplexer, cascadable (BREAL type)	6	
MUX8_D	Multiplexer, cascadable (DOUBLE INTEGER type)	12	
MUX8_I	Multiplexer, cascadable (INTEGER type)	13	
NAND	Block (BOOL type)	7	
NCM	Numeric comparator (REAL type)	6	
NCM_D	Numeric comparator (DOUBLE INTEGER type)	5	
NCM_I	Numeric comparator (INTEGER type)	6	
NOP1	Dummy block (REAL type)	5	
NOP1_B	Dummy block (BOOL type)	5	
NOP1_D	Dummy block (DOUBLE INTEGER type)	4	
NOP1_I	Dummy block (INTEGER type)	6	
NOP8	Dummy blocks (REAL type)	8	
NOP8_B	Dummy blocks (BOOL type)	8	
NOP8_D	Dummy blocks (DOUBLE INTEGER type)	8	

Designation	Function	Typ. runtime	Group
NOP8_I	Dummy blocks (INTEGER type)	8	
NOR	Block (BOOL type)	7	
NOT	Inverter (BOOL type)	5	
NSW	Numeric change-over switch (REAL type)	6	
NSW_D	Numeric change-over switch (DOUBLE INTEGER type)	5	
NSW_I	Numeric change-over switch (INTEGER type)	6	
OR	(BOOL type)	7	
PCL	Pulse shortening device (BOOL type)	6	
PDE	Closing delay device (BOOL type)	5	
PDF	Breaking delay device (BOOL type)	6	
PST	Pulse stretching device (BOOL type)	6	
RSR	RS flip-flop, R-dominant (BOOL type)	6	
RSS	RS flip-flop, S-dominant (BOOL type)	6	
SH_DW	Shift block (DWORD type)	6	
TRK	Tracking/memory element (REAL type)	6	
TRK_D	Tracking/memory element (WORD type)	6	
XOR	Block (BOOL type)	6	

Designation	Function	Typ. runtime	Group
RDP	Reading drive parameters (REAL type)	14	System
RDP_D	Reading drive parameters (DOUBLE type)	14	
RDP_I	Reading drive parameters (INTEGER type)	15	
RDP_UD	Reading drive parameters (UNSIGNED DOUBLE INTEGER type)	15	
RDP_UI	Reading drive parameters (UNSIGNED INTEGER type)	16	
RDP_US	Reading drive parameters (UNSIGNED SHORT INTEGER type)	15	
SAH	Sample and hold (REAL type)	23	
SAH_B	Sample and hold (BOOL type)	23	
SAH_BY	Sample and hold (BYTE type)	24	
SAH_D	Sample and hold (DOUBLE type)	24	
SAH_I	Sample and hold (INTEGER type)	24	
SAV	Value buffering (REAL type)	5	
SAV_BY	Value buffering (BYTE type)	6	
SAV_D	Value buffering (DOUBLE type)	6	
SAV_I	Value buffering (INTEGER type)	6	
STM	Fault/alarm trigger	41	
WRP	Writing drive parameters (REAL type)	17	
WRP_D	Writing drive parameters (DOUBLE type)	13	
WRP_I	Writing drive parameters (INTEGER type)	17	
WRP_UD	Writing drive parameters (UNSIGNED DOUBLE INTEGER type)	18	
WRP_UI	Writing drive parameters (UNSIGNED INTEGER type)	16	
WRP_US	Writing drive parameters (UNSIGNED SHORT INTEGER type)	17	
DCA	Diameter calculator	16	Technology
INCO	Axial winder moment of inertia	51	
TTCU	Winding characteristic	25	
OCA	Software cam group	8	
WBG	Wobble generator	50	

B.2 BOP20 status display during power-up

During power-up, the status of the power-up is briefly displayed on the BOP20.

Table B- 2 Display of the power-up on the BOP20

Displayed value	Meaning
0	Operation
10	Ready
20	Wait for power-up
25	Wait for automatic firmware update of DRIVE-CLiQ components
31	Commissioning software download active
33	Remove/acknowledge topology error
34	End commissioning mode
35	Perform the first commissioning
70	Initialization
80	Reset active
99	Internal software error

The states listed above are automatically run through during the commissioning and are normally not visible.

In the following exceptional cases, power-up is interrupted with display value 33. In this state, the unit can be parameterized using BOP20, AOP30 and STARTER:

- Differences have been identified between the reference and actual topology.
 - Correct the topology (e.g. re-insert the TM component)
 - Transfer the actual topology into the reference topology by setting p9905=1 or p9905=2. Power-up is continued.
- A memory card with a parameter data set, which comes from a SINAMICS DCM with a different MLFB is inserted in the drive
 - Accept the parameter data set by setting p9906=3. Power-up is continued.
- A memory card with a parameter data set from another CUD type is inserted in the drive (e.g. a parameter data set from the right-hand CUD was loaded into a left-hand CUD, a parameter data set of a standard CUD was loaded into an advanced CUD)
 - Accept the parameter data set by setting p9906=3. Power-up is continued.

Index

3

3U1, 3W1, 3C, 3D, 172

4

4U1, 4V1, 4W1, 4N1, 173

5

5U1, 5W1, 5N1, 172

A

A_DIGITAL, 409

Access levels, 328

Accessories, 30

Acknowledging errors, 615

On the BOP20, 352

Using AOP30, 370

Acknowledging faults, 615

Actual speed value A, 397

Actual speed value B, 398

Adaptation

Armature current controller, 533

Field current controller, 533

Address

Setting the PROFIBUS address, 435

Alarms, 614

Configuring, 619

Analog inputs, 176

Analog outputs, 177, 379

AOP30

Acknowledging errors, 370

as the time-of-day master, 375

Battery replacement, 672

Cable assignment, 182

Faults and alarms, 372

Installation dimensions, 90

LOCAL mode, 367

Menu structure, 356

Operation screen, 357

Overview, 355

Application classes, 383

Article number, 24

Automatic restart, 560

Auxiliary circuits, 542

B

BICO technology

Converters, 342

Fixed values, 343

Interconnecting signals, 340

What is it?, 339

Binector, 340

Block diagram, 114

BOP20, 344

Commissioning steps, 260

Control word, drive, 353

Status display, 698

Brake, 539

Braking distance, 523

C

Cabinet configuration, 101

Cabinet installation, 79

Cable routing into the device, 113

CBE20, 189, 311

CCP, 35

CDS, (See "Data sets")

Certifications, 679

Korean certification, 680

Changing over the power unit topology, 583

Commissioning

Drive optimization, 313

Optimization runs, 271

Optional additional modules, 305

STARTER, 273

With AOP30, 267

Communication

PROFIBUS, 431

via PROFIdrive, 381

Components

Communication Board CBE20, 190

Sensor Module Cabinet-Mounted SMC30, 195

Terminal Module TM15, 214

Terminal Module TM150, 244

Terminal Module TM31, 227

Connecting

Incremental encoder, 674

Connecting the incremental encoder, 674
 Connection suggestion, 114
 Connector, 340
 Control word 1, 389
 Control word 1 BM, 391
 Control word 2, 390
 Control word 2 BM, 392
 Converter Commutation Protector, 35
 Copy protection
 Activating, 642
 Copying RAM to ROM, 297
 CPU time load, 623
 Creep, 524
 CU_STW1, 409
 CU_ZSW1, 410
 CUD
 LEDs, 601
 Current actual value sensing, 676

D

Data sets
 Command data set (CDS), 328
 Drive data set (DDS), 329
 Encoder data set (EDS), 330
 Data transfer
 PROFINET, 471
 DCC, 628
 DCP flashing, 473
 DDS, (See "Data sets")
 Determining the axis number, 422
 Determining the object number, 422
 Determinism, 468
 Device dimensions, 81
 Device identification, 437, 457
 Device name, 470
 Diagnostics
 Diagnostic memory, 598
 Trend recorder function, 598
 using LEDs for CBE20, 192
 using LEDs for the Sensor Module Cabinet
 SMC30, 206
 Diagnostics channel
 Forwarding of messages, 458, 483
 Diagnostics via LEDs
 Terminal Module TM15, 220
 Terminal Module TM150, 252
 Terminal Module TM31, 238
 Diagnostics via STARTER, 604
 Digital inputs, 176
 Digital outputs, 176

Dimension drawings, 81
 Terminal Module TM150, 253
 Dimensions, 81
 Direct data exchange
 Faults, 458
 GSD, 456
 PROFIBUS, 441
 Disconnection, 514
 Disposal, 690
 Drive Control Chart, 628
 Drive object, 333, 333
 Drive optimization, 313
 Optimization runs, 314
 DRIVE-CLiQ, 183
 Duty cycles, 44
 Dynamic overload capability of the power unit, 552

E

E_DIGITAL, 410
 EDS, (See "Data sets")
 Electromagnetic compatibility, (See EMC)
 Electronic power supply, 115, 172, 173
 EMC, 95
 Basic information, 95
 Cabinet configuration, 101
 EMC-compliant installation, 98
 EN 61800-3, 95
 RFI suppression filter, 103, 106
 Shielding, 103
 Enable, 516
 Encoder
 Incremental encoder evaluation, 177, 178
 Encoder evaluation, 526
 Encoder interface, 399
 Reference mark search, 401
 Environmental classes, 47
 Environmental compatibility, 690
 E-STOP, 517
 EtherNet/IP
 configuring, activating, 498
 Connection, 497
 Example
 PROFIBUS telegram structure, 433

F

Factory setting, 272
 Fan
 Operating hours counter, 543

- Replacing the fan, 660
- Terminals, 173
- Fault buffer, 616
- Fault value, 616
- FAULT_CODE, 398
- Faults, 614
 - Acknowledging, 615
 - Configuring, 619
 - Fault buffer, 616
- Faults and alarms, 372, 614
 - BICO interconnections, 622
- Faults and alarms, 372, 614
- Field characteristic, 316
- Field reversal, 584
- Field supply, 143
- Fixed setpoint, 525
- Free telegrams, 385
- Friction characteristic, 317
- Function generator, 604
- Function modules
 - Technology controller, 536
- Fuses, 150
 - Replacing fuses, 665

G

- G2_STW, 402
- G2_XIST1, 407, 407
- G2_ZSW, 407
- Gn_STW, 399
- Gn_ZSW, 403
- GSD
 - GSD file, 436

H

- Hearing protection, 21
- Holding brake, 539
- Hot restart time, 560

I

- I2t monitoring, 544
- Incremental encoder evaluation, 177, 178, 195, 526
- Industrial security
 - IT security, 380
- Inputs, 176
 - Analog, 176
 - Digital, 176
 - Overview, 377
 - Temperature sensor, 177

- Installation
 - Terminal Module TM150, 254
- Installation altitude, 48
- Interconnecting signals using BICO technology, 340
- Interconnecting using BICO technology, 340
- Interface descriptions
 - Terminal Module TM150, 246
- Interfaces
 - DRIVE-CLiQ, 183
 - Peer-to-peer, 177, 589
 - USS, 510
- IO controller, 467
- IO device, 467
- IO supervisor, 467
- IRT, 476, 476, 476
 - Comparison with RT, 477
- IRT, 476, 476, 476
- IRT, 476, 476, 476

J

- Jog, 523

K

- Know-how protection
 - Absolute know-how protection, 641
 - Activating, 641
 - Changing the password, 643
 - Copy protection, 640
 - Data security of the memory card, 639
 - Deactivating, 643
 - Executable functions, 638
 - For loading to the file system, 645
 - Locked functions, 638
 - Overview, 637
 - Parameters that can be changed, 639
 - Password check, 639
 - Password security, 637
- Korean certification, 680

L

- Lead/lag element element, 529
- LEDs
 - for CBE20, 192
 - for the Sensor Module Cabinet SMC30, 206
 - On the CUD, 601
 - Terminal Module TM15, 220
 - Terminal Module TM150, 252
 - Terminal Module TM31, 238

Line reactors, 146
 Load class, 42
 Load types, 42

M

Maintenance, 651
 Battery replacement, AOP30, 672
 Replacing fuses, 665
 Replacing the fan, 660
 Manual optimization, 319
 Manufacturer-specific telegrams, 385
 Mechanical system capable of oscillation, 318
 Media redundancy, 475
 MELD_NAMUR, 398
 Memory card, 334, 339
 Safely removing, 339
 Menu, (See AOP30)
 Messages, 614
 Configuring, 619
 External triggering, 620
 Motor temperature, 547
 MTrace, 613
 Multiple trace, 609

N

n+m mode, 568
 NACT_A, 397
 NACT_B, 398

O

OFF2, 514
 OFF3, 514
 Online mode with STARTER, 461
 Operating hours counter
 Unit fan, 543
 Operation enable, 516
 Operation screen, (See AOP30)
 Operational brake, 539
 Operator panel
 AOP30, 267, 354
 BOP20, 260, 344
 Optimization
 Armature current control, 315
 EMF closed-loop control, 316
 Field current closed-loop control, 315, 322
 Friction characteristic, 317
 Manual, 266, 319
 Mechanical system capable of oscillation, 318

 Optimization runs, 265, 271
 Speed control, 316
 Speed controller, 323
 Optimization runs, 314
 Options, 30, 90
 G63, 166, 184, 596
 Outputs, 176
 Analog, 177, 379
 Digital, 176
 Overview, 377
 Overload protection, 544

P

Parallel connection, 563
 12-pulse, 572
 6-pulse, 566
 Parameter assignment, 570
 Standard mode, 568
 Parallel interface, 184
 Parameterization
 Using BOP20, 344
 With AOP30, 358
 Parameters
 Access levels, 328
 Categories, 326
 Factory setting, 272
 Saving, 374
 Types, 325
 Password
 Changing, 643
 Peer-to-peer interface, 177, 589
 Power failure
 Restart, 560
 Power unit
 Connection, 122, 169
 Dynamic overload capability, 552
 Power unit topology, 583
 Process data, 387
 Process data, actual values
 G1_XIST1, 404
 G1_XIST2, 405
 G2_XIST1, 407
 G2_XIST2, 407
 Process data, control words
 A_DIGITAL, 409
 CU_STW1, 409
 G2_STW, 402
 Gn_STW, 399
 Process data, setpoints
 NSET_A, 392, 392
 NSET_B, 393

- Process data, status words
 - CU_ZSW1, 410
 - E_DIGITAL, 410
 - G2_ZSW, 407
 - Gn_ZSW, 403
 - MELD_NAMUR, 398
 - PROFIBUS, 431
 - Bus terminating resistor, 430
 - Cable, 112
 - Connection, 429
 - Connector, 112, 183, 429, 430
 - Device identification, 437, 457
 - Direct data exchange, 441
 - Forwarding of messages via diagnostics channels, 458
 - Generic station description file, 436, 456
 - Master class 1 and 2, 431
 - Setting the address, 435
 - Telegrams, 385
 - Terminating resistor, 437
 - VIK-NAMUR, 436
 - PROFIBUS telegram structure, 433
 - PROFIdrive, 381
 - Controller, Supervisor, Drive Unit, 381
 - Device classes, 381
 - Reading parameters, 423
 - Telegrams, 385
 - Write parameter, 425
 - PROFINET
 - Data transfer, 471
 - Forwarding of messages via diagnostics channels, 483
 - Interface, 473
 - PROFINET cables, 192
 - PROFINET IO, 467
 - Addresses, 469
 - IRT, 476
 - With IRT, 469
 - With RT, 468
 - Protective conductor connection and shield support
 - Terminal Module TM150, 255
- Q**
- Quick stop, 514
- R**
- Ramp-down time, 518
 - Ramp-function generator, 518
 - Ramp-function integrator, 521
 - Ramp-function-generator tracking, 522
 - Ramp-up time, 518
 - Rating plate, packaging label, 28
 - Real-time communication, 468
 - Reference mark search, 401
 - Replacement
 - Operator panel battery, 671
 - Replacing the Backup Battery of the Cabinet Operator Panel, 671
 - Replacing the CUD, 668
 - Restart, 560
 - RFI suppression filter, 106
 - Ring topology, 475
 - Scalance, 475
 - RT
 - Comparison with IRT, 477
 - RT class
 - Setting, 478
 - RT classes
 - Send cycles, 479
 - Update cycles, 479
- S**
- Safety instructions
 - Terminal Modules, 214, 227, 244
 - Safety shutdown (E-STOP), 517
 - Sequence of objects in the telegram, 432, 471
 - Series connection
 - 12-pulse, 582
 - 6-pulse, 574, 577, 579
 - Setpoint channel
 - Creep, 524
 - Fixed setpoint, 525
 - Jog, 523
 - Ramp-function generator, 518
 - Shielding, 103
 - Shipbuilding, 673, 679
 - Shutdown, 512
 - OFF2 (disconnection), 514
 - OFF3 (quick stop), 514
 - SIMOREG CCP, 35
 - SINAMICS Link
 - Activation, 493
 - Bus cycle, 488
 - Configuring, 490
 - Requirements, 487
 - Synchronous cycle, 488
 - Transmission time, 488
 - Single trace, 608
 - Single-phase line supply, 561
 - SMC30, 189, 308

Software update, 652, 653
 Speed controller, 529
 Adaptation, 529
 Droop, 529
 Reference model, 529
 Start pulse, 529
 Speed-dependent current limitation, 549
 Standard CUD, 184
 Standard telegrams, 385
 STARTER, 273
 Commissioning, 275
 Configuring a drive unit, 282
 Connection through a serial interface, 298
 Creating the project, 275
 Installation, 273
 Online mode via PROFINET, 461
 Project wizard, 277
 Starting the drive project, 294
 User interface, 274
 Startup trace, 612
 Status display at the BOP20, 698
 Status word 1, 394
 Status word 1 BM, 396
 Status word 2, 396
 Status word 2 BM, 397
 STW2, 390
 STW2 BM, 392
 Switch on, 512
 Operation enable (enable), 516
 Synchronization domain, 478

T

Technical data
 Communication Board CBE20, 194
 Duty cycles, 44
 Load types, 42
 Sensor Module Cabinet SMC30, 210
 Terminal Module TM15, 225
 Terminal Module TM150, 256
 Terminal Module TM31, 243
 Unit data, 49
 Technology controller, 536
 Telegrams
 Manufacturer-specific, 385
 Sequence of objects, 432, 471
 Standard, 385
 Structure, 387
 Temperature sensor, 177
 Terminal Module Cabinet, 166, 184, 596
 Terminal Module TM15, 214, 305
 Terminal Module TM150, 244

Terminal Module TM31, 227, 305
 Thermal overload protection, 544
 Thyristor diagnostics, 599
 Time-of-day master, 375
 Timeout monitoring, 370
 TM15, 189, 214
 TM150, 189
 TMC, 166, 184, 596
 Trace function, 607
 Trend recorder function, 598

U

UL
 Installation notes, **Error! Bookmark not defined.**
 Unit data, 49
 Unit fan
 Operating hours counter, 543
 Update
 Software, 653
 Upgrading
 Software release, 652
 Use of the speed controller for other applications, 532
 USS interface, 510

W

WARN_CODE, 398
 Write protection
 Activating, 635
 Deactivating, 637
 Overview, 635

X

X100, X101, 183
 X126, 183, 429
 X165, 184
 X166, 184
 X177, 176
 X178, 180
 X179, 181
 XP24V, 173
 XR1, XS1, XT1, 175

Z

ZSW1, 394
 ZSW1 BM, 396
 ZSW2, 396
 ZSW2 BM, 397

Siemens AG
Division Process Industries and Drives
Postfach 48 48
90026 NÜRNBERG
GERMANY

Siemens AG, Division Process Industries and Drives
6RX1800-0AD20
© Siemens AG 2009-2015

